

Spare Parts Catalog

Terri 3 HW 8WD



CONTENTS

1	INTRODUCTION	1
2	KEY TO SYMBOLS	3
	Key to symbols	3
3	ENGINE	7
	Engine mounts	7
	Exhaust system	9
	Cooling system.....	11
	Cooling system.....	13
	Drive belts	17
	Pump connector	19
	Heating system (with Eberspächer).....	21
	Fuel system.....	23
	Fuel system.....	27
	Air and fuel filter.....	31
	Oil filter and drain.....	33
4	HYDRAULIC SYSTEM	35
	Hose identification	35
	Hydraulic tank (A)	37
	Hydraulic tank (A)	41
	Hydraulic pump (B)	45
	Drive valve (C).....	47
	Block valve drain (D).....	51
	Valve block drain trailer (E).....	53
	Distribution block front bogie (F).....	55
	Distribution block front bogie (F).....	57
	Distributor block rear bogie (G)	59
	Pilot block (H).....	61
	Pilot block (H).....	63
	In-wheel motor, wheel w/o brake (A).....	65
	In-wheel motor, wheel w/o brake (I) - welded bogie.....	67
	In-wheel motor, wheel without brake (I) - cast bogie.....	69
	In-wheel motor, wheel with brake (J) - welded bogie.....	71
	In-wheel motor, wheel with brake (J) - cast bogie.....	73
	Thermostat block (K).....	75
	Thermostat block (K).....	77
	Hydraulic oil cooler	79
	Hydraulic oil cooler	81
	Bulkhead connector	83
	Bulkhead connector	85
	Reducing piece.....	87
	Valve block, articulation lock	89
	Articulation lock cylinders	91
	Steering cylinders	93
	Cab lift, valve and pump	95
	Ladder	97
	Ladder	99
	Crane valve with connections	101
	Crane valve - P30T/P40T - FW - P40T/P61T - HW.....	103
	Crane valve - P40 - HT	107
	Crane valve - P40T/P61T - HW	111
5	CRANE	115
	Crane tilt, square crane foot.....	115
	Lifting, slewing cylinder and accumulator connections	117
	Lifting, slewing cylinder and accumulator connections	119
	Crane P40 Combi/Harvester.....	121
	Crane P40 Combi/Harvester.....	127
	Crane P40T harvester with extension.....	131
	Crane P61T harvester with extension	137

Link/Slewing damper.....	141
Axle.....	145
Rotator	147
6 FRAME AND BODY	149
Hood, hinges and battery shelf.....	149
Cab lock.....	157
Frame joint/Steering joint.....	159
Articulation sensor and protective hose for lighting cable	163
Frame valve assembly, without rubber cover.....	165
Frame valve assembly, without rubber cover.....	167
Trailer	169
Wheel suspension, welded bogie - Black Bruin	173
Wheel suspension, welded bogie - Poclairn	177
Wheel suspension, cast bogie - Poclairn.....	179
7 CAB	181
Windows, doors and hatches	181
Cab, exterior	185
Air conditioner ECC kit	189
Sunshields	193
8 SEAT.....	195
9 ELECTRICAL SYSTEM.....	199
Switches etc. inside cab	199
Switches etc. inside cab	203
Throttle pedal, moveable with foot switch for direction of travel	207
Throttle pedal, moveable without foot switch for direction of travel	209
Lever pallet, left	211
Lever pallet, right	213
Distribution box.....	215
Distribution box.....	219
Engine control box	221
Lighting and wiper motors.....	223
10 HARVESTER HEAD.....	225
Log Max 2000T, felling link	225
11 OTHER OR ADDITIONAL EQUIPMENT	227
Drive belt and chains.....	227
Stump treatment.....	229
Cabinet Droppen cab	231
Electric front winch.....	233
Hydraulic front winch.....	235
Fire extinguisher	237
Fire extinguishing system	239
Engine heater Eberspächer Hydronic S3 24V	241
Tools and miscellaneous	243
Signs and decals	245
Colour.....	247
12 HYDRAULIC DIAGRAM	249
Rev B	249
Drive valve 8WD.....	251
INDEX	252

1 INTRODUCTION

TERRI is constantly working to improve its machines. As such, we reserve the right to change data and equipment, as well as instructions for maintenance and other measures.

The spare parts catalogue is designed to cover all TERRI markets and equipment levels, so please disregard the sections that do not apply to your particular machine.

During the warranty period, **only** genuine TERRI spare parts should be used to ensure the functionality of the machine and maintain the warranties.

Note:

If a part has a hyphen instead of a number, or a hyphen in front of the number in the "Item column", it belongs to the part without a hyphen listed above it, but can also be purchased as a separate part.

When ordering spare parts, always indicate the serial number of the machine.

When ordering a hydraulic hose, always check the length and type of couplings on the existing hose before ordering.

To order spare parts, please contact:

reservdelar@terri.se

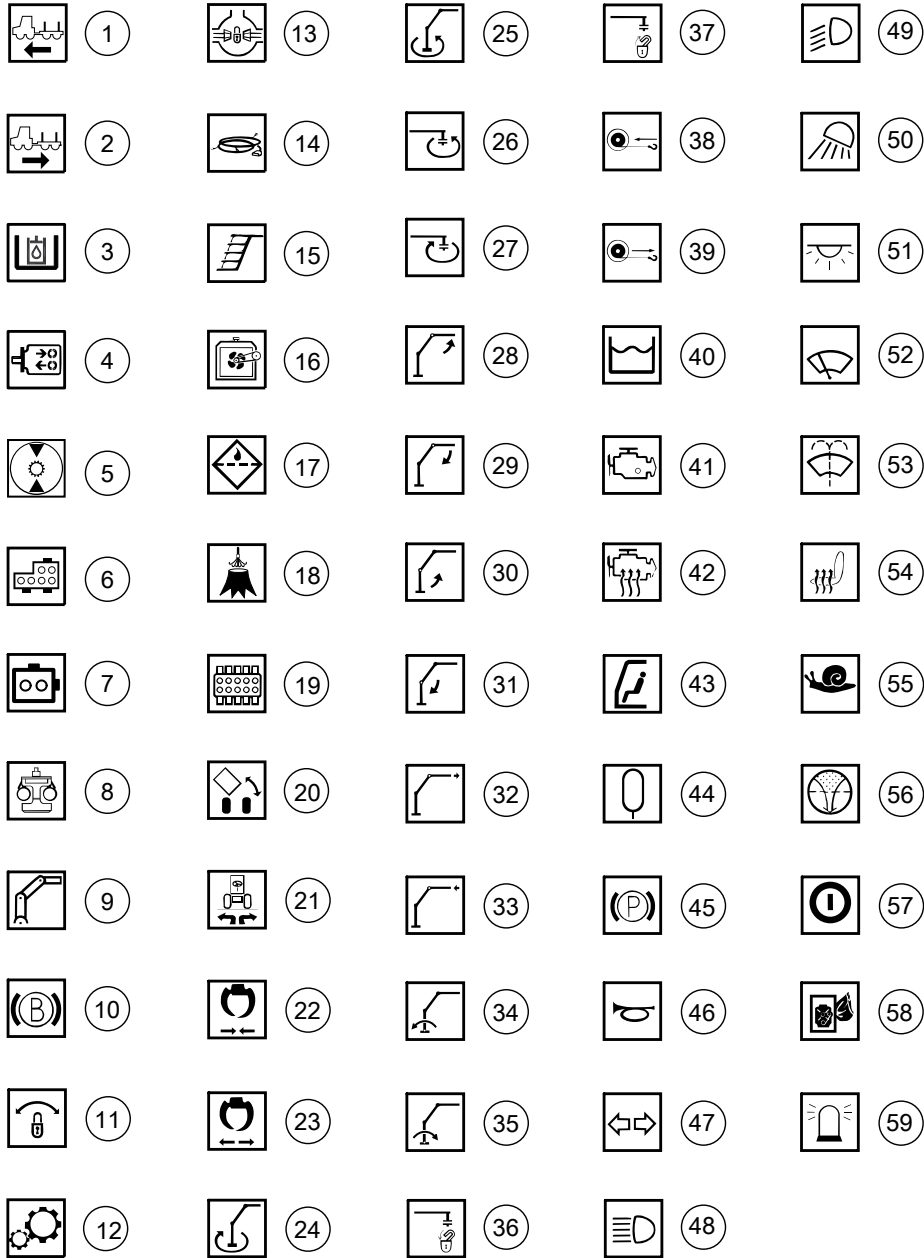
Bäckgatan 32, Box 151,

SE-343 22 Älmhult

Tel: +46(0)476-70 97 90

2 KEY TO SYMBOLS

Key to symbols

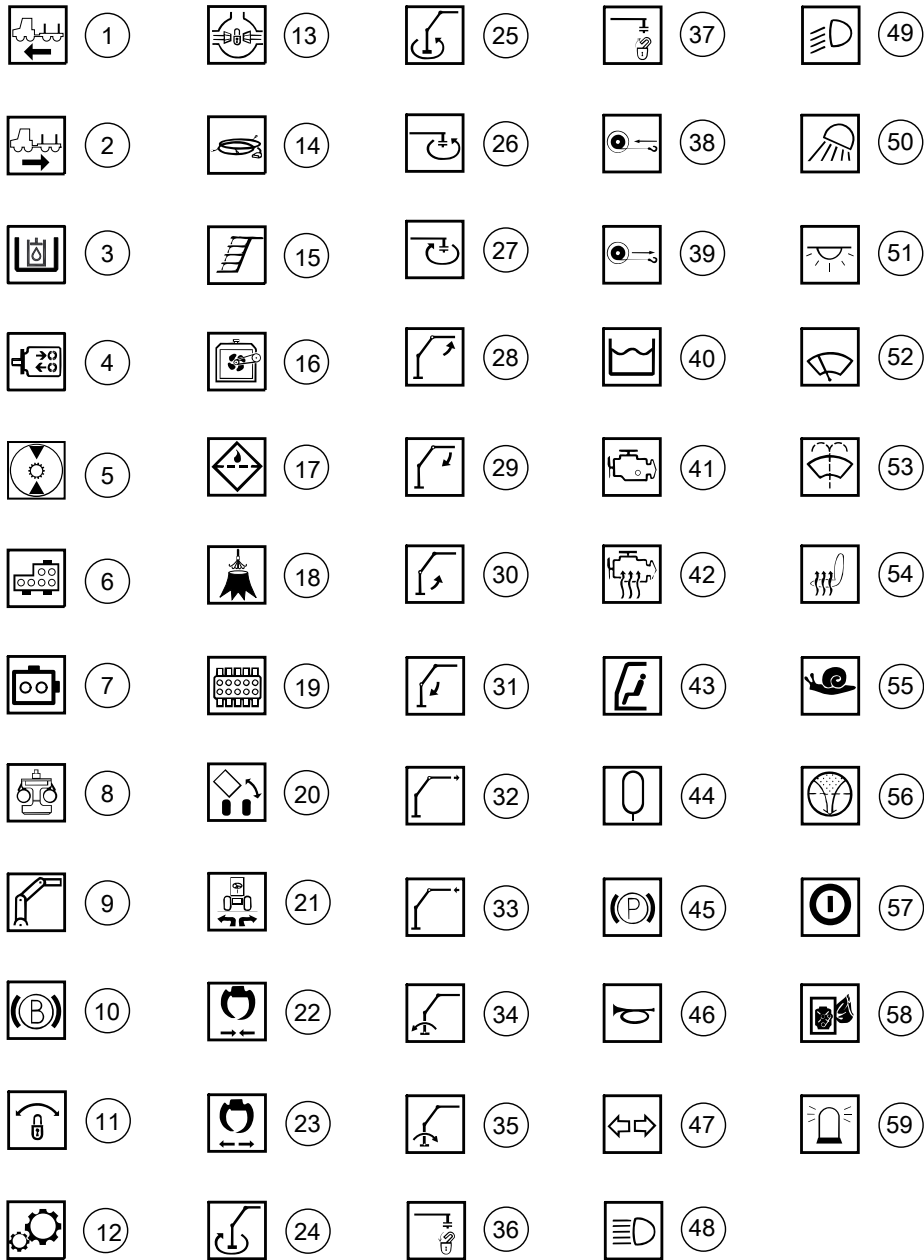


000361

Key to symbols

Pos	Art.	Qty.	Description	Remarks
1			Machine forwards	
2			Machine backwards	
3			Hydraulic oil tank	
4			Hydraulic pump	
5			In-wheel motor	
6			Hydraulic valve	
7			Hydraulic block	
8			Harvesting head	
9			Crane	
10			Brake	
11			Articulation lock	
12			Gear	
13			Differential lock	
14			Electricity	
15			Ladder	
16			Cooling	
17			Oil filter	
18			Stump treatment (urea)	
19			Hydraulic controls/Valve assembly	
20			Cab tilt	
21			Articulated steering	
22			Grapple, close	
23			Grapple, open	
24			Crane slew, clockwise	
25			Crane slew, anticlockwise	
26			Rotator, anticlockwise	
27			Rotator, clockwise	
28			Rocker arm, up	
29			Rocker arm, down	
30			Jib, up	
31			Jib, down	
32			Extension, out	
33			Extension, in	
34			Crane tilt/Levelling, backwards	
35			Crane tilt/Levelling, forward	
36			Crane tip equipment, lock	

Key to symbols



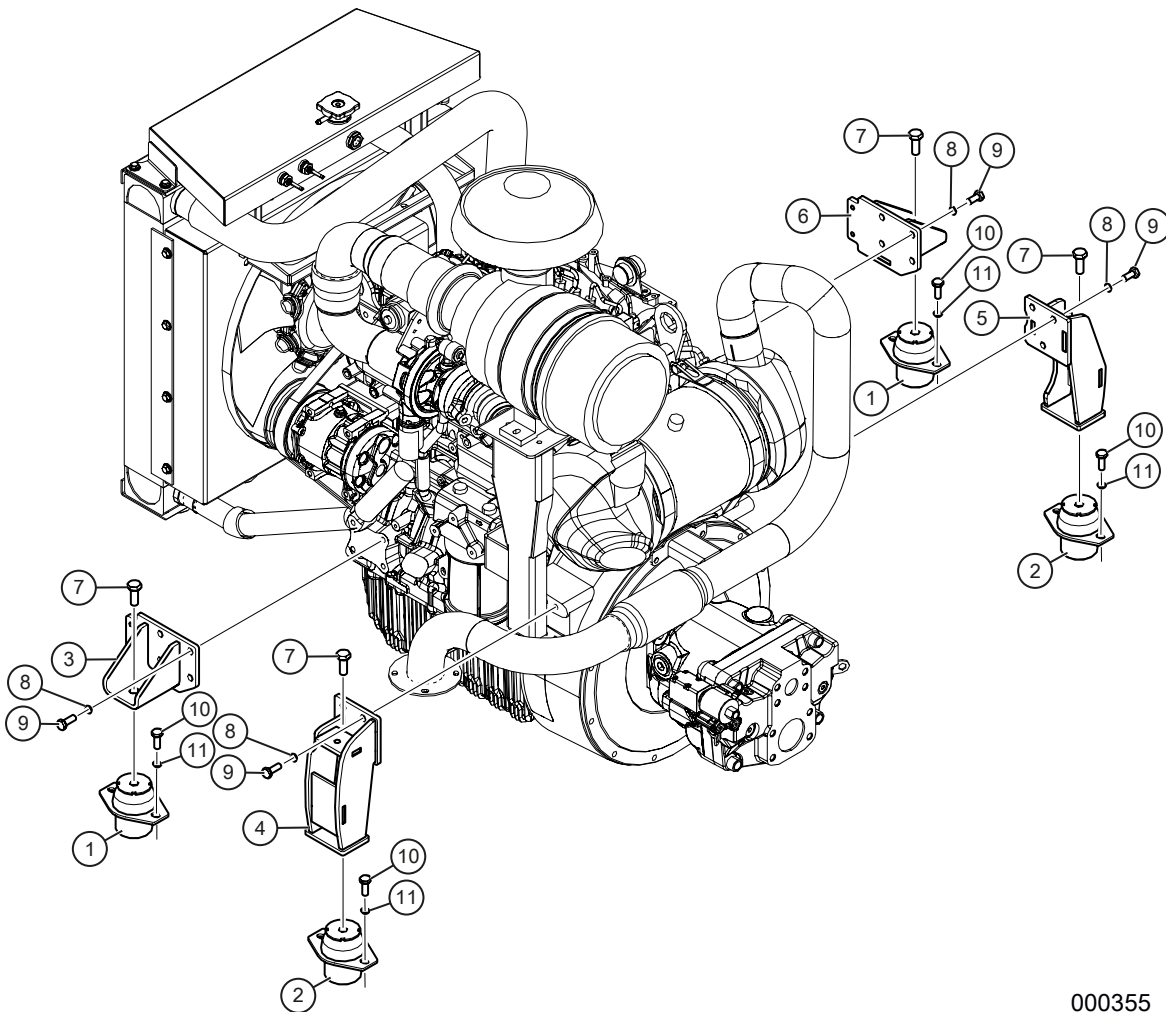
000361

Key to symbols

Pos	Art.	Qty.	Description	Remarks
37			Crane tip equipment, unlock	
38			Winch, in	
39			Winch, out	
40			Fuel tank	
41			Engine	
42			Engine heater	
43			Cab	
44			Accumulator	
45			Parking brake	
46			Horn	
47			Turn indicator	
48			High beam	
49			Low beam	
50			Work lights	
51			Internal light	
52			Windscreen wiper	
53			Windscreen washer	
54			Seat heater	
55			Gear shift control	
56			Return oil filter	
57			Proximity switch	
58			Fire extinguishing system	
59			Rotating beacon	

3 ENGINE

Engine mounts

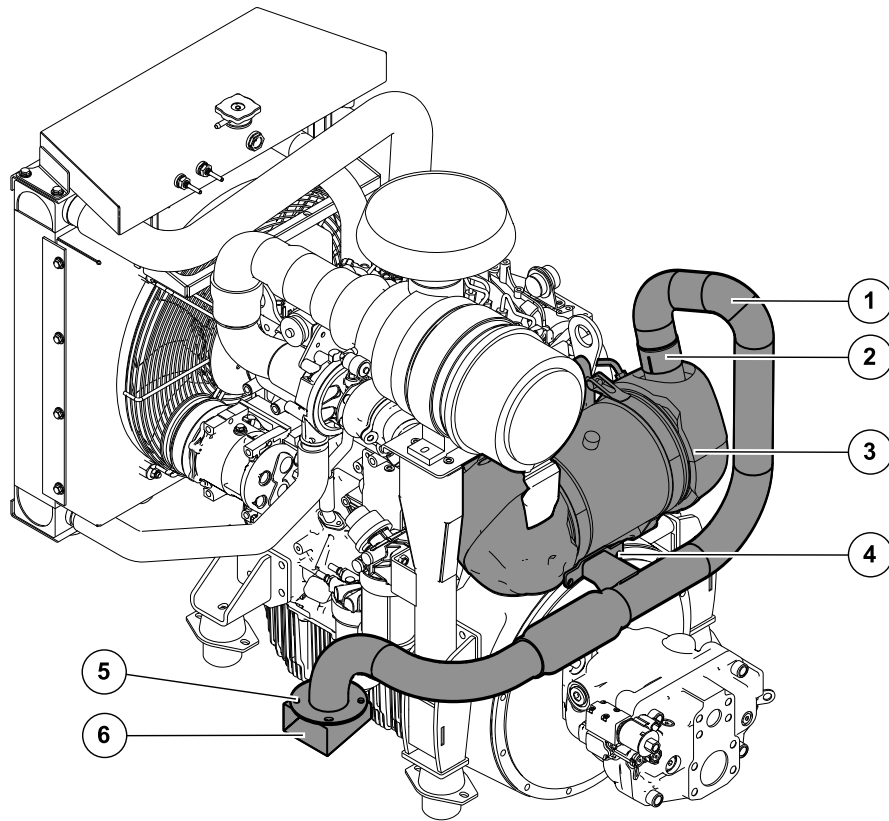


000355

Engine mounts

Pos	Art.	Qty.	Description	Remarks
1	KT-795003	2 pcs	Engine cushion	Front
2	KT-795002	2 pcs	Engine cushion	Rear
3	TE-702108	1 pc	Engine mount	Left front
4	TE-702103	1 pc	Engine mount	Left rear
5	TE-702094	1 pc	Engine mount	Right rear
6	TE-702106	1 pc	Engine mount	Right front
7	09-266040	4 pcs	Flange screw	M6SFT 12x25 8.8 FZB
8	K6163-000	14 pcs	Nordlock washer	M12
9	KT-6067-270	14 pcs	Hex screw	MC6SH 12X30 12.9 OBEH. Use Loctite 270
10	K6077-02	8 pcs	Screw	M6S 10X30 8.8 FZB
11	K6152	8 pcs	Flat washer	BRB M10 FZB

Exhaust system

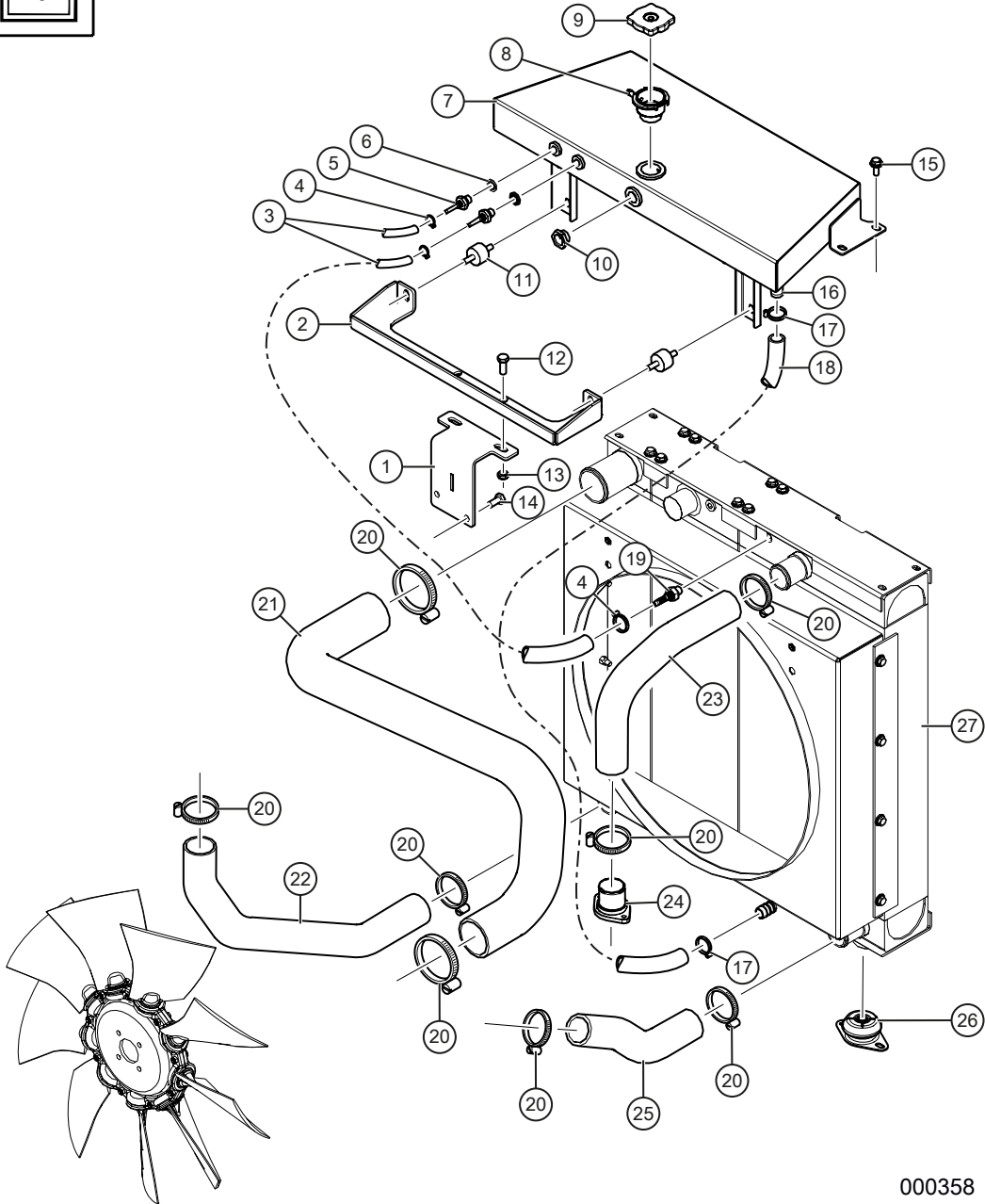
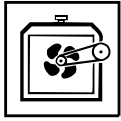


000357

Exhaust system

Pos	Art.	Qty.	Description	Remarks
1	KT-267802	1 pc	Exhaust pipe	Replaces TE-702324
2	KT-185015	1 pc	Pipe clamp	2 3/4" 70 mm
3	KT-765043	1 pc	Particulate filter	
4	KT-6067-262	2 pcs	Hex screw	MC6SH 10x30 12.9
5	K6075-01	4 pcs	Screw	M6S 8X25 8.8 FZB
6	TE-701162	1 pc	Cap exhaust pipe	

Cooling system

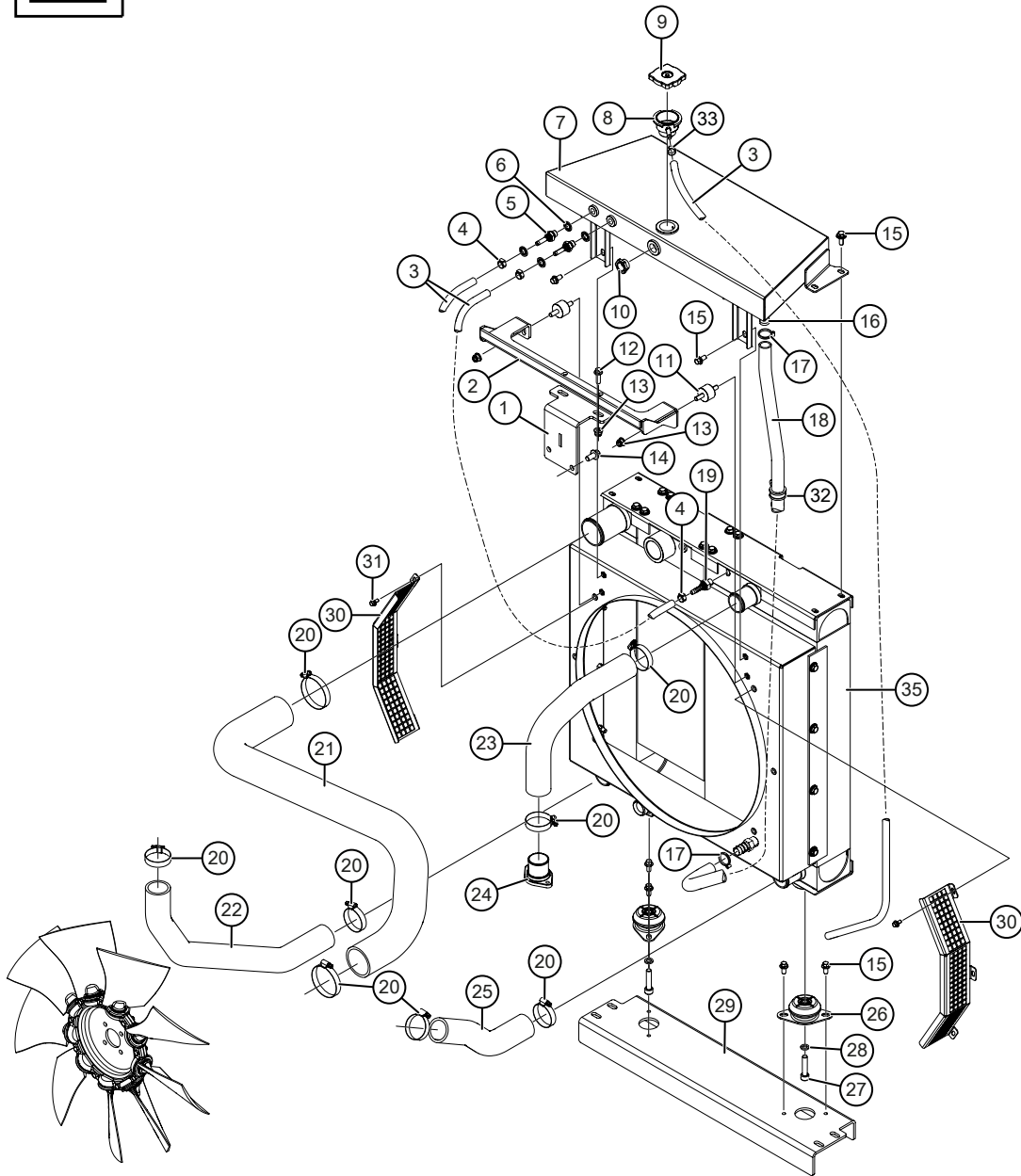


000358

Cooling system

Pos	Art.	Qty.	Description	Remarks
			Cooling system	Valid up to machine T23-016
1	TE-702135	1 pc	Bracket	
2	TE-702136	1 pc	Rod	
3	KT-240502	LM	Fuel hose	8.0x3.0 mm
4	KT-185406	3 pcs	Hose clamp	13 mm
5	KT-50740812	2 pcs	Connection	G1/2" UF-3/4"
6	KT-56010108	2 pcs	Rubber steel washer	R 1/2"
7	TE-702143	1 pc	Expansion tank	
8	KT-791245	1 pc	Radiator cap neck	
9	KT-791244	1 pc	Radiator cap	
10	KT-50991141	1 pc	Sight glass	1/2"
11	KT-765003	2 pcs	Vibration damper	Upper. Use Loctite 270
12	09-265604	2 pcs	Flange screw	M6SF 8x25 8.8 FZB
13	09-265605	2 pcs	Flange lock nut	LM6MF 8 FZB
14	K6077-001	2 pcs	Flange screw	M6SF 10X20 8.8 FZB
15	09-266793	4 pcs	Flange screw	M6SF 8x16 8.8 FZB
16	KT-50740812	1 pc	Hose coupling	G1/2" UF-3/4"
	KT-56010108	1 pc	Rubber steel washer	R 1/2"
17	KT-185104	2 pcs	Hose clamp	15-24 mm
18	KT-790856	1 pc	Water hose elbow	18 mm Eberspächer
19	KT-765001-8	1 pc	Nipple	Ø8 1/4"
20	KT-185111	8 pcs	Hose clamp	50-65 mm
21	KT-765007	1 pc	Hose	Intercooler inlet
22	KT-765006	1 pc	Hose	Turbo intercooler
23	KT-765004	1 pc	Cooler hose	Upper
24	KT-765044	1 pc	Thermostat	
25	KT-765005	1 pc	Cooler hose	Lower
26	KT-765011	2 pcs	Vibration damper	Lower
27	KT-765001	1 pc	Combined cooler	Water/oil/intercooler
-	KT-765001-1	1 pc	Cooling element	Intercooler
-	KT-765001-2	1 pc	Cooling element	Oil
-	KT-765001-3	1 pc	Cooling element	Water
-	KT-765001-4	1 pc	Fan housing	
-	KT-765001-5	1 pc	Mounting plate	Upper
-	KT-765001-6	1 pc	Mounting plate	Lower
-	KT-765001-7	1 pc	Drain plug	M14x1.5

Cooling system

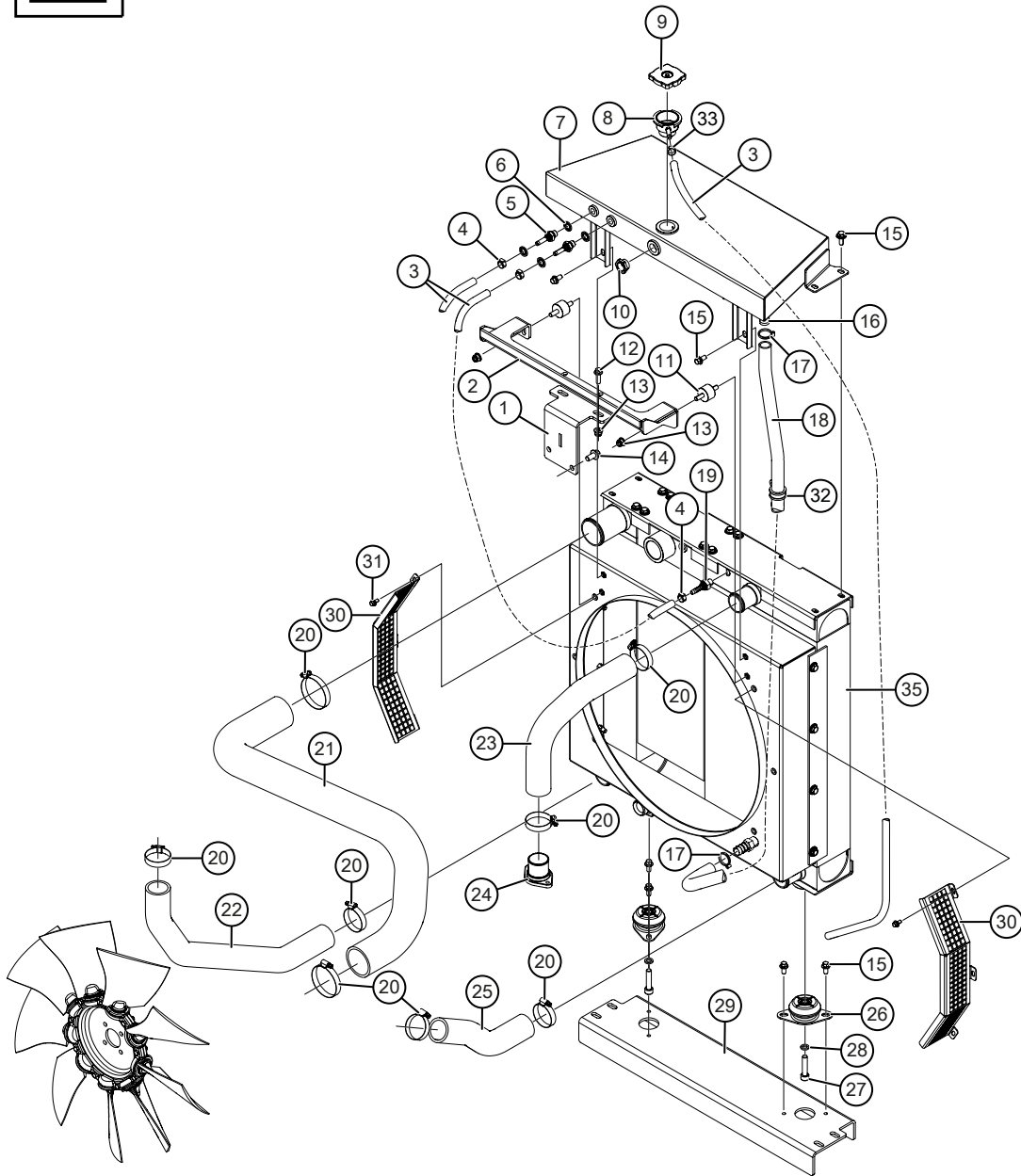
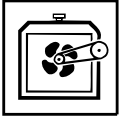


000549

Cooling system

Pos	Art.	Qty.	Description	Remarks
			Cooling system	Valid from machine T23-017
1	TE-702135	1 pc	Bracket	
2	TE-702528	1 pc	Rod	
3	KT-240502	LM	Air bleed hose	8.0x3.0 mm
4	KT-185406	3 pcs	Hose clamp	13 mm
5	KT-42020405	2 pcs	Connection	G1/4" UF-5/16"
6	KT-56010104	2 pcs	Rubber steel washer	R 1/4"
7	TE-702143	1 pc	Expansion tank	
8	KT-791245	1 pc	Radiator cap neck	
9	KT-791244	1 pc	Radiator cap	
10	KT-50991141	1 pc	Sight glass	1/2"
11	KT-765003	2 pcs	Vibration damper	Upper. Use Loctite 270
12	09-265604	2 pcs	Flange screw	M6SF 8x25 8.8 FZB
13	09-265605	4 pcs	Flange lock nut	LM6MF 8 FZB
14	K6077-001	2 pcs	Flange screw	M6SF 10X20 8.8 FZB
15	09-266793	10 pcs	Flange screw	M6SF 8x16 8.8 FZB
16	KT-50740812	1 pc	Hose coupling	G1/2" UF-3/4"
	KT-56010108	1 pc	Rubber steel washer	R 1/2"
17	KT-185104	2 pcs	Hose clamp	15-24 mm
18	KT-790856	1 pc	Water hose elbow	18 mm Eberspächer
19	KT-765001-8	1 pc	Nipple	Ø8 1/4"
20	KT-185111	8 pcs	Hose clamp	50-65 mm
21	KT-765007	1 pc	Hose	Intercooler inlet
22	KT-765006	1 pc	Hose	Turbo intercooler
23	KT-765004	1 pc	Cooler hose	Upper
24	KT-765044	1 pc	Thermostat	
25	KT-765005	1 pc	Cooler hose	Lower
26	KT-765011	2 pcs	Vibration damper	Lower
27	K6067-24	2 pcs	Hex screw	MC6S 10x45 8.8 FZB
28	K6163-003	2 pcs	Locking washer	M10 Nordlock
29	TE-702131	1 pc	Radiator support	
30	TE-703275	2 pcs	Guard fan wheel	
31	09-267710	6 pcs	Flange screw	M6SF 6x12 8.8 FZB
32	KT-176425	1 pc	Rubber clamp	25 mm
33	KT55603157	1 pc	Hose clamp	15.7/13.2
34	KT-765001	1 pc	Combined cooler	Water/oil/intercooler

Cooling system

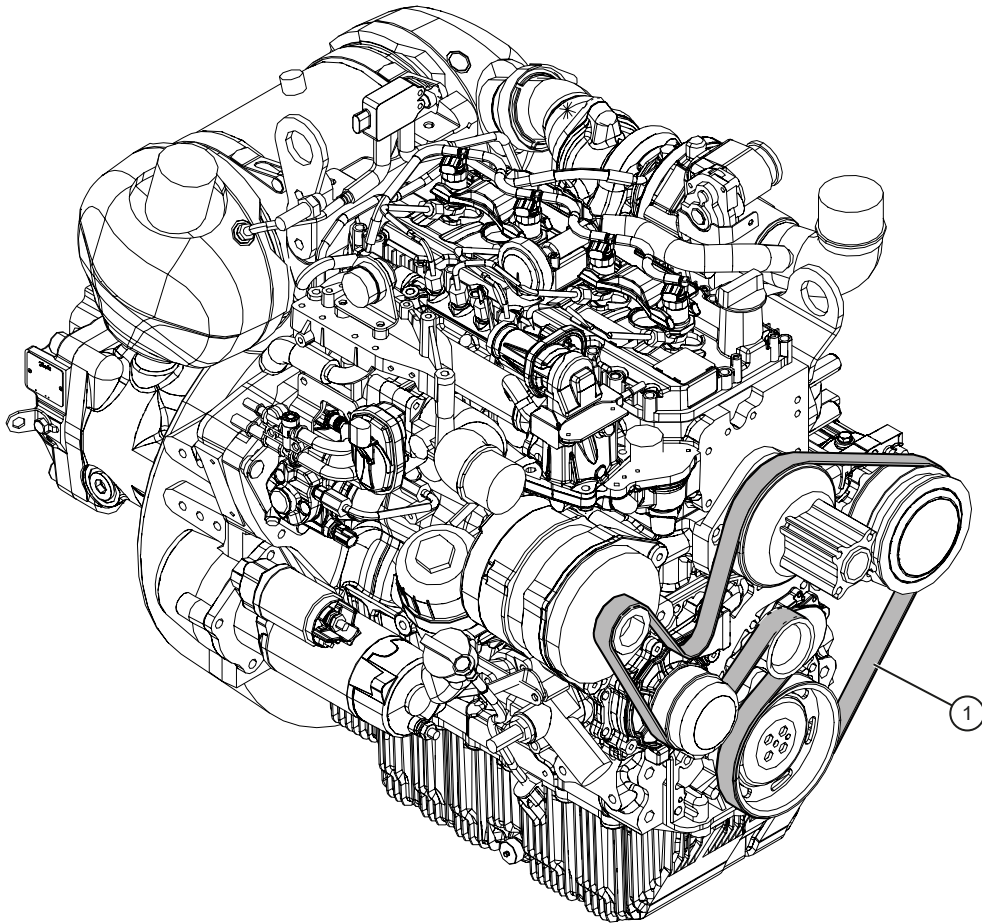


000549

Cooling system

Pos	Art.	Qty.	Description	Remarks
-	KT-765001-1	1 pc	Cooling element	Intercooler
-	KT-765001-2	1 pc	Cooling element	Oil
-	KT-765001-3	1 pc	Cooling element	Water
-	KT-765001-4	1 pc	Fan housing	
-	KT-765001-5	1 pc	Mounting plate	Upper
-	KT-765001-6	1 pc	Mounting plate	Lower
-	KT-765001-7	1 pc	Drain plug	M14x1.5

Drive belts

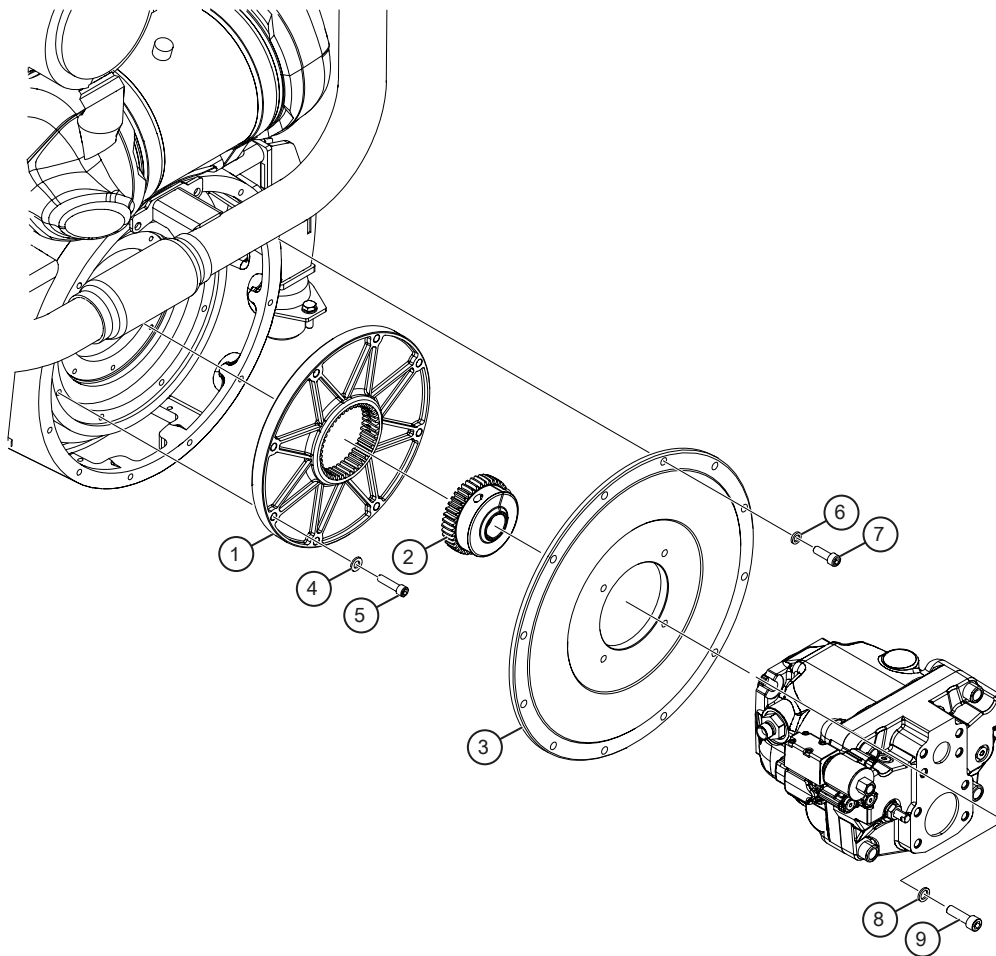


000359

Drive belts

Pos	Art.	Qty.	Description	Remarks
1	KT-765045	1 pc	Fan belt	

Pump connector

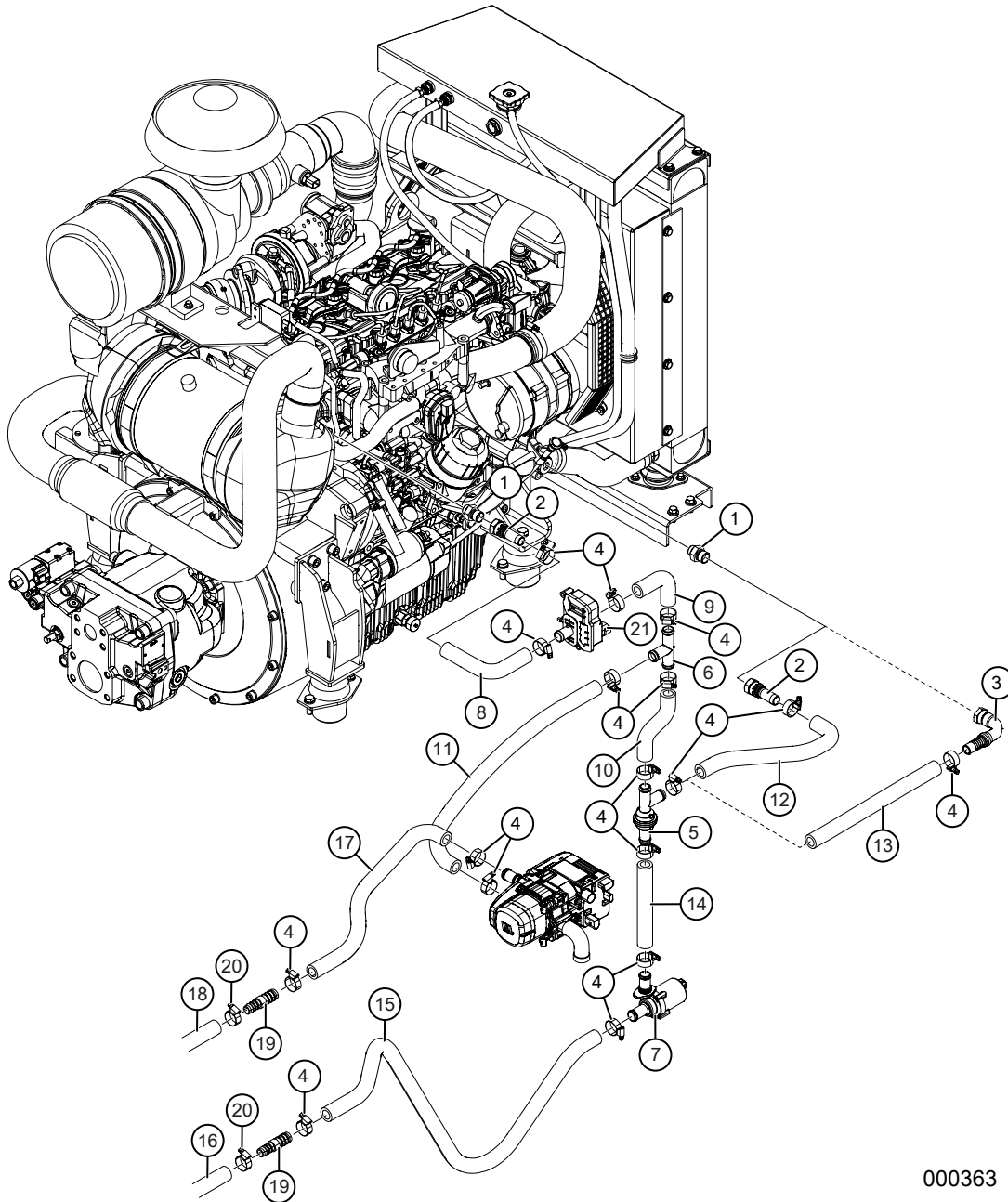


000356

Pump connector

Pos	Art.	Qty.	Description	Remarks
1	KT-765018	1 pc	Flange coupling	
2	KT-795027	1 pc	Hub	
3	KT-795028	1 pc	Pump bracket	
4	K-6152	8 pcs	Flat washer	BRB M10 FZB
5	KT-8001	8 pcs	Screw	UC6S 3/8 UNF X 38 Untr. 12.9. Use Loctite 270
6	K6163-003	12 pcs	Nordlock washer	M10
7	KT-6067-262	12 pcs	Hex screw	MC6S 10X30 12.9
8	KT-267172	4 pcs	Nordlock washer	M12
9	KT-8000	4 pcs	Screw	M6SH 12X40 12.9 UNTR. DIN 933

Heating system (with Eberspächer)

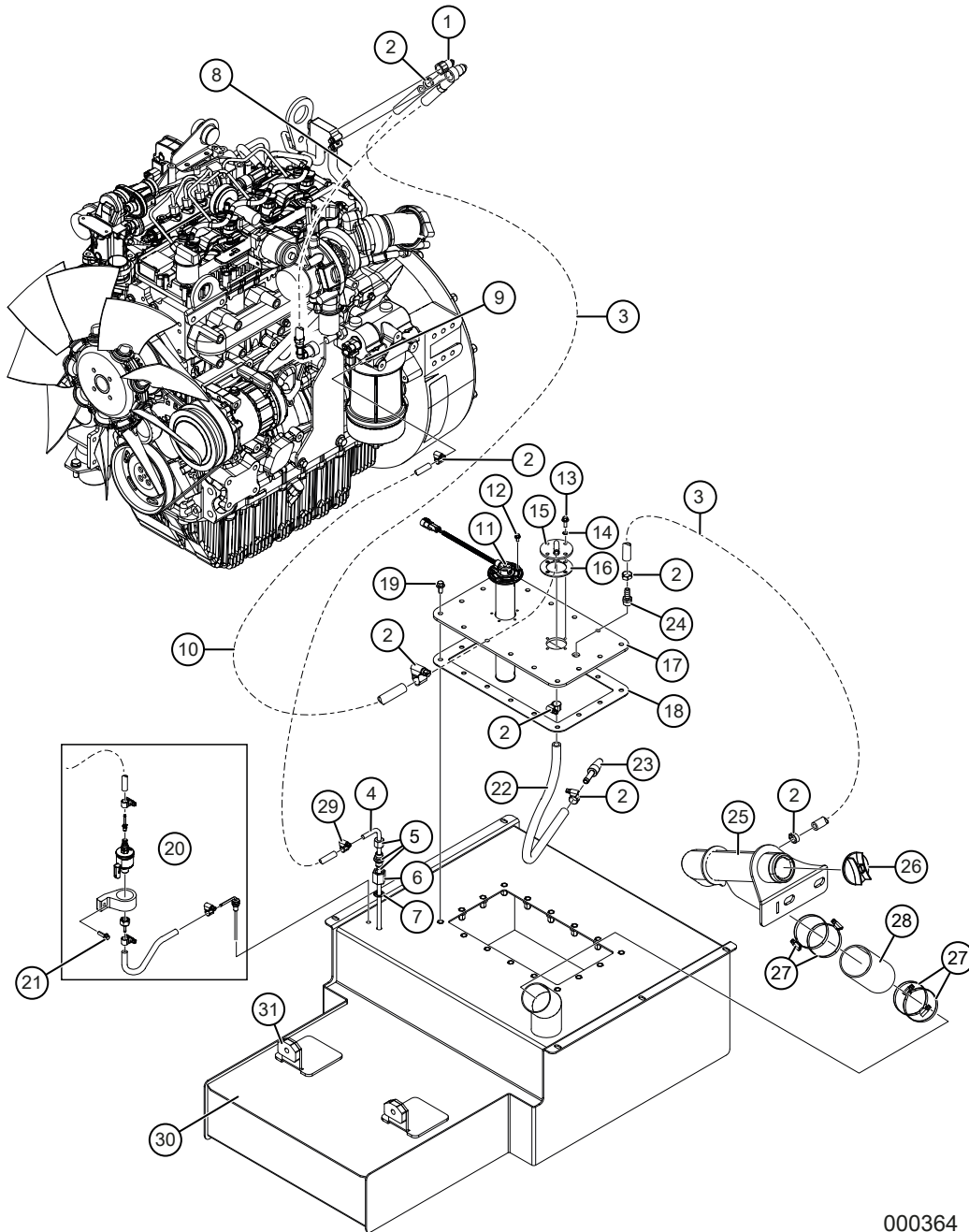


000363

Heating system (with Eberspächer)

Pos	Art.	Qty.	Description	Remarks
1	KT-185105	2 pcs	Adapter	1/2"-3/4" U-U
	KT-56010108	2 pcs	Rubber steel washer	R 1/2"
2	KT-58600812	1 pc/2 pcs	Hose coupling	G 1/2"-IF 3/4"
3	KT-42030812	1 pc	Hose coupling	G 1/2"IF 3/4". Used with hose KT-703578 (item 13).
4	KT-185105	16 pcs	Hose clamp	19-28 mm
5	TE-702921	1 pc	Check valve with restrictor	
6	KT-791241	1 pc	T-pipe	3x20 mm
7	KT-240035	1 pc	Water pump	Eberspächer
	TE-700730	1 pc	Bracket auxiliary pump	
8	KT-703574	1 pc	Hose	Engine out - Water valve. Replaces hose KT-765042-1
9	KT-703575	1 pc	Hose	Water vent T-pipe w/check valve. Replaces hose KT-765042-2
10	KT-703576	1 pc	Hose	T-pipe w/check valve - T-pipe. Replaces hose KT-765042-3
11	KT-703577	1 pc	Hose	T-pipe w/check valve - Heater. Replaces hose KT-765042-4
12	KT-765042-5	1 pc	Hose	T-pipe - Engine In. Older spec. Replaced by hose KT-703578
13	KT-703578	1 pc	Hose	T-pipe - Engine In. New spec. Replaces hose KT-765042-5
14	KT-703579	1 pc	Hose	T-pipe - Water pump elec. Replaces hose KT-765042-6
15	KT-703580	1 pc	Hose	Water pump electrical - joint under cab. Replaces hose KT-765042-7
16	KT-790680	LM	Hose	16 mm. Joint under cab - heater core
17	KT-703582	1 pc	Hose	Heater - joint under cab. Replaces hose KT-765042-9
18	KT-790680	LM	Water hose	16 mm. Heater core - joint under cab
19	KT-7002006	2 pcs	Pipe connector	D 16-19 mm, L=60
20	KT-185104	2 pcs	Hose clamp	15-24 mm
21		1 pc	Water valve, stepless	See <i>Air conditioner ECC kit</i> , page 189

Fuel system

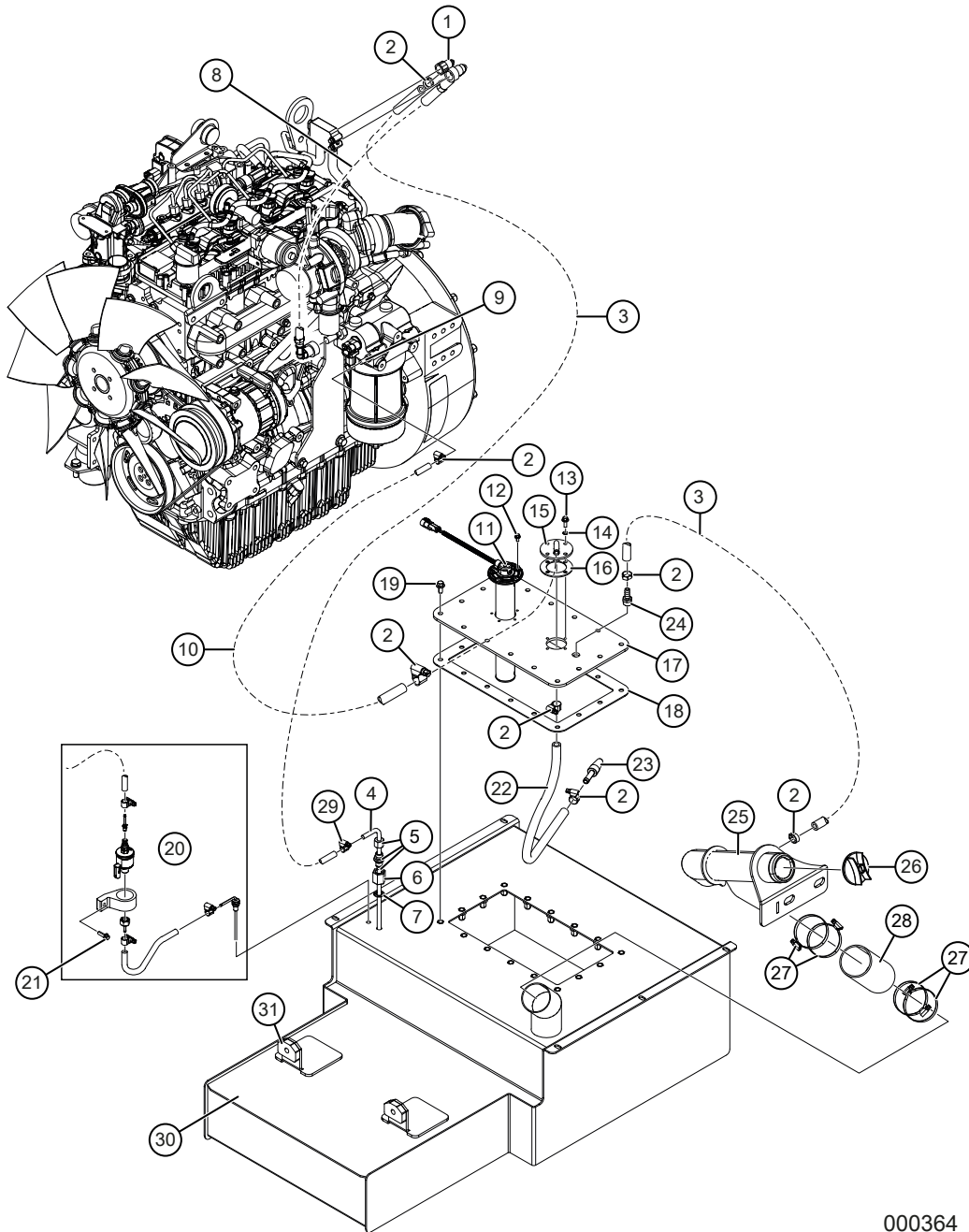


000364

Fuel system

Pos	Art.	Qty.	Description	Remarks
				Up to machine T24-007
1	KT-765037	1 pc	Fuel nipple	90°, ext
2	KT-55603185		Hose clamp	Ø18.5/15.3
3	KT-240210	LM	Fuel hose	10x3.5 mm, L=1000 mm
4	TE-700183	1 pc	Suction pipe fuel	
5	TE-700147-1	1 pc	Ferrule coupling	
6	KT-70110404	1 pc	Adapter	R 1/4"-1/4" I-I
7	KT-56010104	1 pc	Rubber steel washer	R 1/4"
8	TE-703623	1 pc	Fuel hose	L=1450 mm, complete
	KT-765038	2 pcs	Fuel nipple	90°, in. Included in TE-703623
	KT-185102	2 pcs	Hose clamp	11-17 mm. Included in TE-703623
9	KT-58301608	1 pc	Hose coupling	M16x1.5
10	KT-240502	LM	Fuel hose	8.0x3.0 mm
11	KT-791105	1 pc	Fuel level sensor	
	KT-791119	1 pc	Connector plug	
12	09-265731	5 pcs	Flange screw	M6SF 5x10 8.8 FZB
13	09-267257	4 pcs	Flange screw	M6SF 6X16 8.8 FZB
14	KT-56010206	4 pcs	Rubber steel washer	M6
15	TE-702176	1 pc	Fuel connection	
16	KT-702283	1 pc	Gasket	Fuel connection
17	TE-702223	1 pc	Hatch	
18	KT-702280	1 pc	Gasket fuel tank	Use Loctite 3020
19	09-266793	16 pcs	Flange screw	M6SF 8x16 8.8 FZB
20	KT-240036	1 pc	Fuel pump Eberspächer	
*	KT-240036-1		Mounting elements	Eberspächer fuel pump
21	09-266034	1 pc	Flange screw	M6SFT 6x20 8.8 FZB
22	KT-240210	LM	Fuel hose	10x3.5 mm, L=500 mm
23	KT-703138	1 pc	Weight fuel tank	Replaces KT-58600606 and KT-791278
24	KT-50740606	1 pc	Hose coupling	G3/8" ext. Use Loctite 542
25	TE-702168	1 pc	Fuel filler neck	
26	KT-791533	1 pc	Fuel filler cap	Replaces KT-1021813
	TE-702601-1	1 pc	Cover plate rear hood left	Required for tank cap KT-791533
27	KT-185112	4 pcs	Hose clamp	58-75 mm
28	KT-14350032	LM	Tanker hose	2"
29	KT-55603170	1 pc	Hose clamp	17/14.5
30	TE-702117	1 pc	Fuel tank	

Fuel system

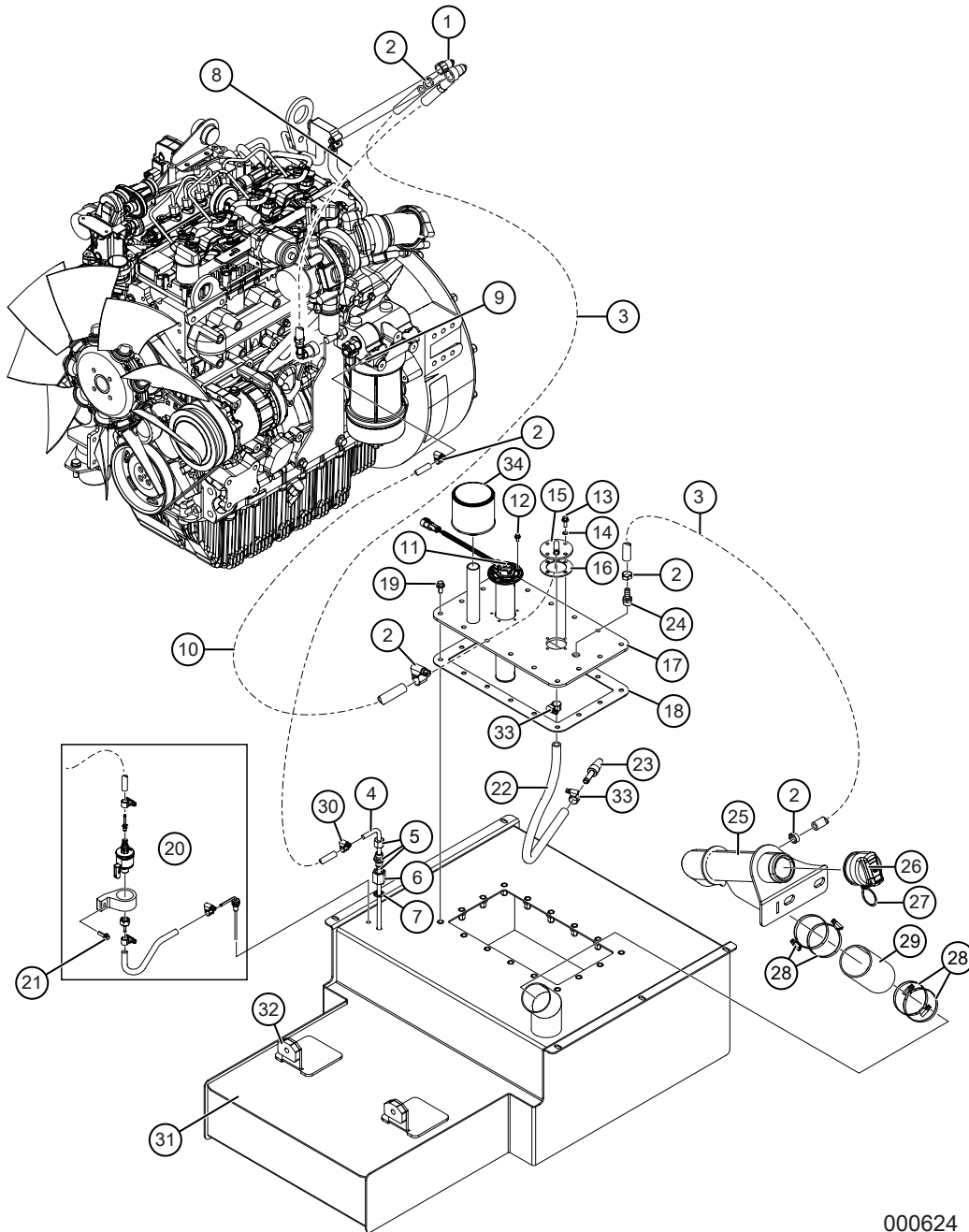


000364

Fuel system

Pos	Art.	Qty.	Description	Remarks
31	TE-702697	2 pcs	Spacer	T=12 mm

Fuel system

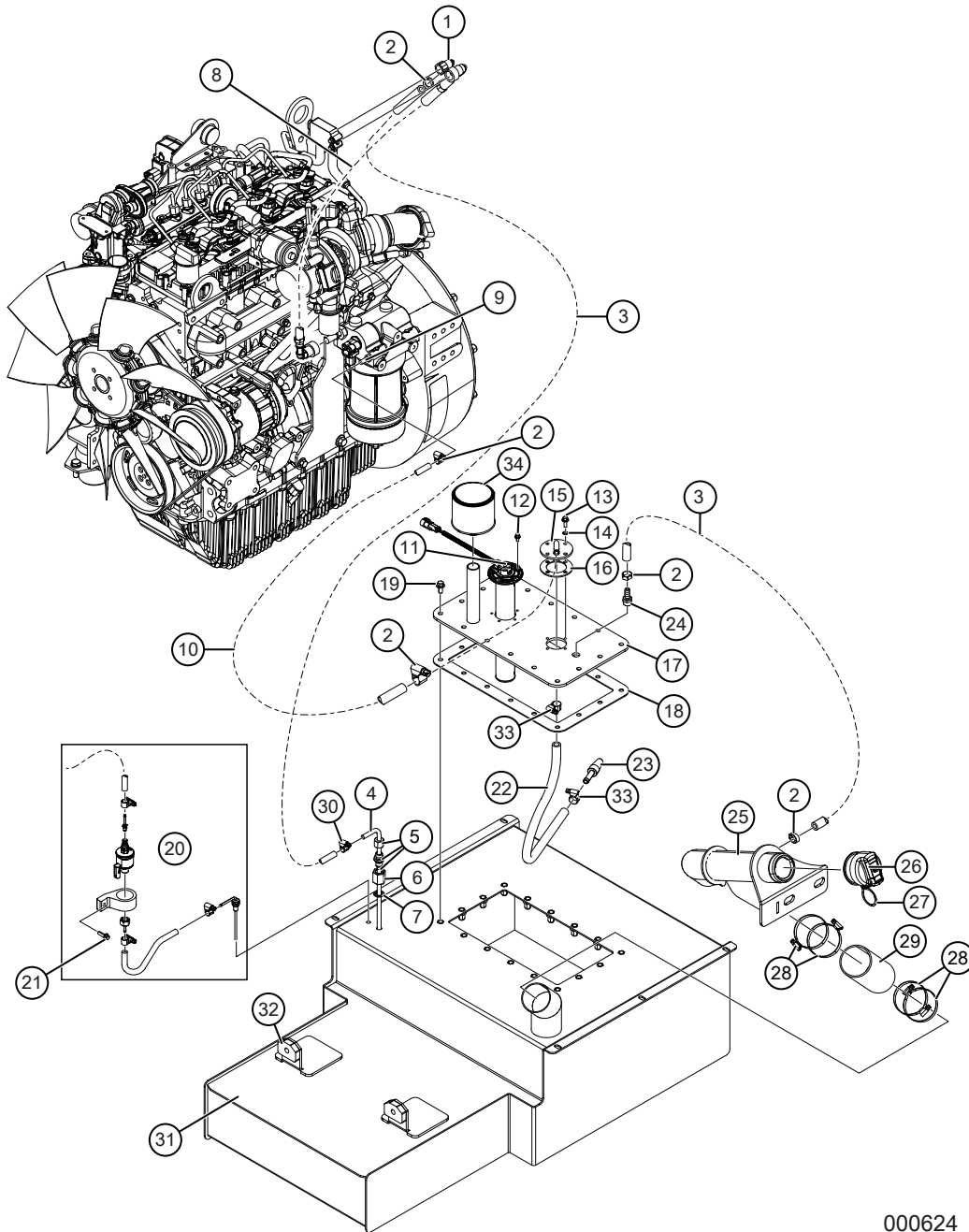


000624

Fuel system

Pos	Art.	Qty.	Description	Remarks
				From machine T24-008
1	KT-765037	1 pc	Fuel nipple	90°, ext
2	KT-55603185	2 pcs	Hose clamp	Ø18.5/15.3
3	KT-240210	LM	Fuel hose	10x3.5 mm, L=1000 mm
4	TE-700183	1 pc	Suction pipe fuel	
5	TE-700147-1	1 pc	Ferrule coupling	
6	KT-70110404	1 pc	Adapter	R 1/4"-1/4" I-I
7	KT-56010104	1 pc	Rubber steel washer	R 1/4"
8	TE-703623	1 pc	Fuel hose	L=1450 mm, complete
	KT-765038	2 pcs	Fuel nipple	90°, in. Included in TE-703623
	KT-185102	2 pcs	Hose clamp	11-17 mm. Included in TE-703623
9	KT-58301608	1 pc	Hose coupling	M16x1.5
10	KT-240502	LM	Fuel hose	8.0x3.0 mm
11	KT-791105	1 pc	Fuel level sensor	
	KT-791119	1 pc	Connector plug	
12	09-265731	5 pcs	Flange screw	M6SF 5x10 8.8 FZB
13	09-267257	4 pcs	Flange screw	M6SF 6X16 8.8 FZB
14	KT-56010206	4 pcs	Rubber steel washer	M6
15	TE-702176	1 pc	Fuel connection	
16	KT-702283	1 pc	Gasket	Fuel connection
17	TE-703662	1 pc	Hatch	
18	KT-702280	1 pc	Gasket fuel tank	Use Loctite 3020
19	09-266793	16 pcs	Flange screw	M6SF 8x16 8.8 FZB
20	KT-240036	1 pc	Fuel pump Eberspächer	
*	KT-240036-1		Mounting elements	Eberspächer fuel pump
21	09-266034	1 pc	Flange screw	M6SFT 6x20 8.8 FZB
22	KT-240210	LM	Fuel hose	10x3.5 mm, L=500 mm
23	KT-703138	1 pc	Weight fuel tank	Replaces KT-58600606 and KT-791278
24	KT-50740606	1 pc	Hose coupling	G3/8" ext. Use Loctite 542
25	TE-703661	1 pc	Fuel filler neck	
26	KT-791534	1 pc	Fuel filler cap	Lockable
27	KT-791536	1 pc	Tether cord fuel cap	
28	KT-185112	4 pcs	Hose clamp	Ø58-75 mm
29	KT-14350032	LM	Tanker hose	2"
30	KT-55603170	1 pc	Hose clamp	17/14.5
31	TE-702117	1 pc	Fuel tank	

Fuel system

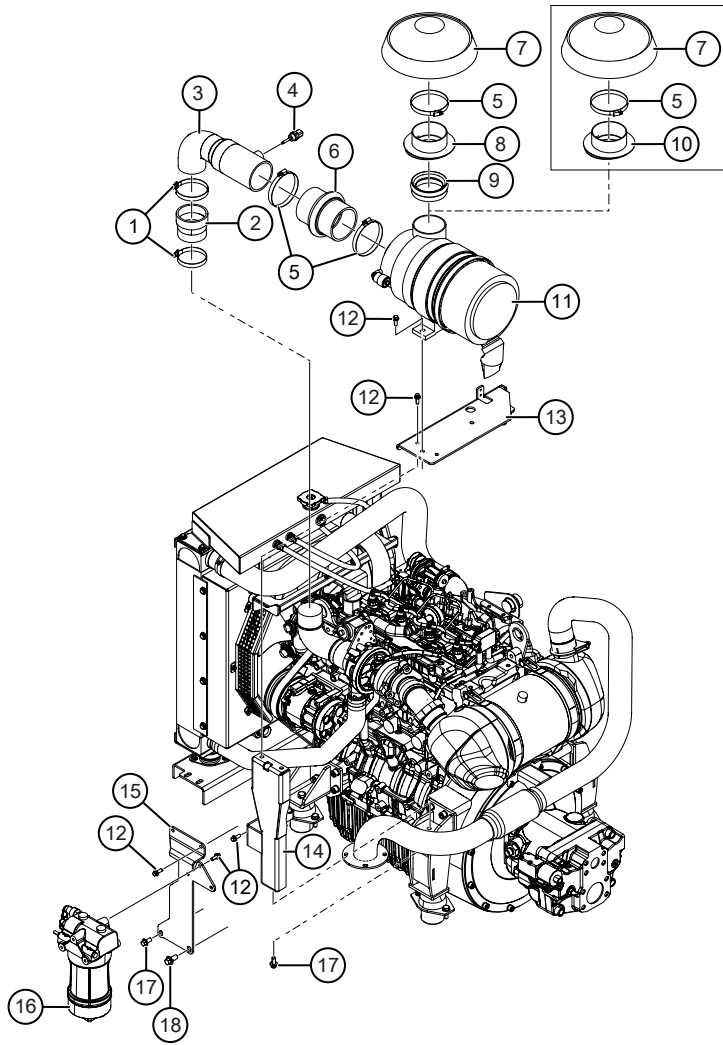


000624

Fuel system

Pos	Art.	Qty.	Description	Remarks
32	TE-702697	2 pcs	Spacer	T=12 mm
33	KT-185104	2 pcs	Hose clamp	Ø15-24 mm
34	KT-791537	1 pc	Breather filter	

Air and fuel filter

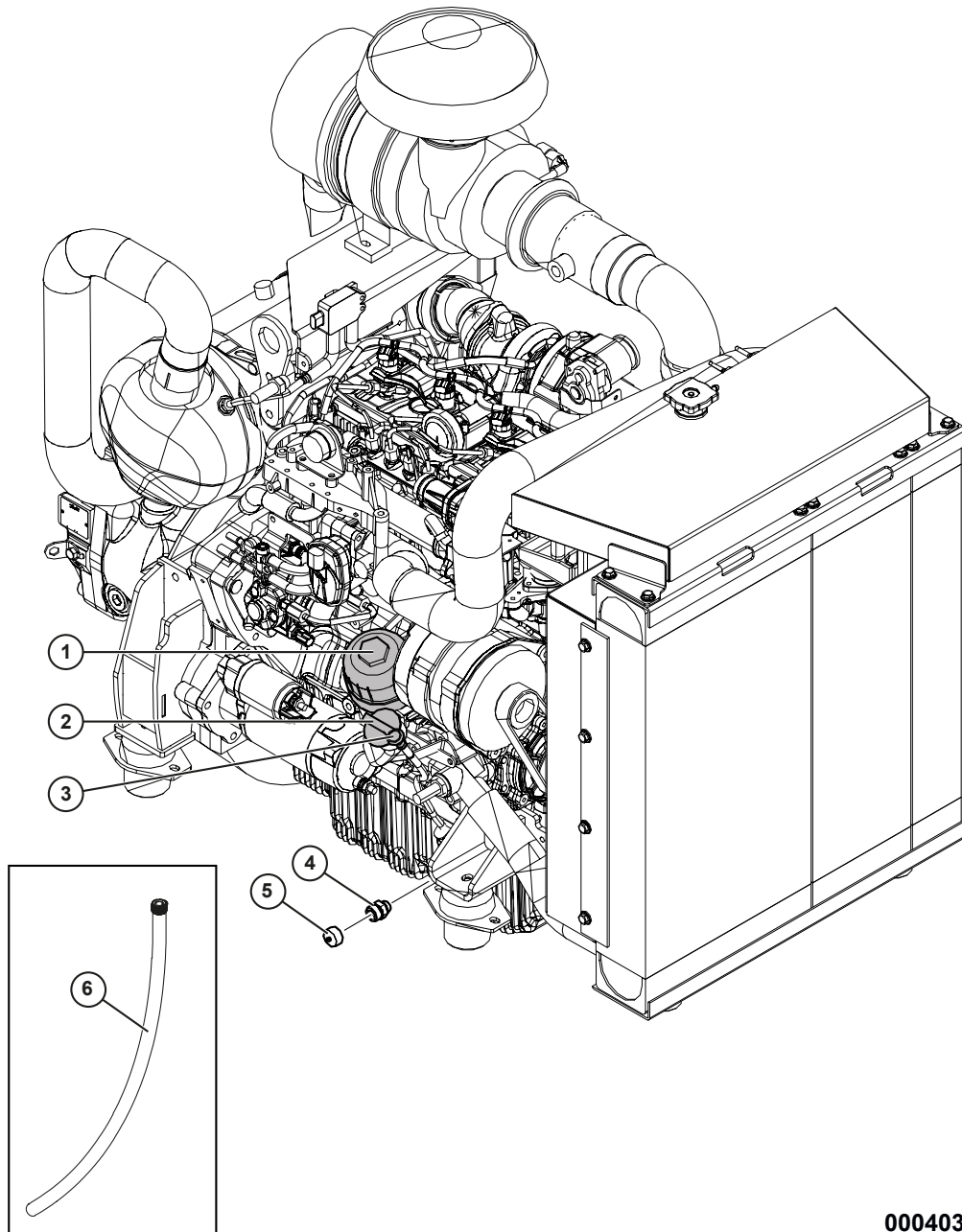


000360

Air and fuel filter

Pos	Art.	Qty.	Description	Remarks
1	KT-185114	2 pcs	ABA clamp 77-95 mm	
2	KT-765009	1 pc	Hose	
3	KT-765008	1 pc	Pipe	
4	KT-765034	1 pc	Temperature sensor	
	KT-765034-1	1 pc	O-ring	
5	KT-185115	3 pcs	Hose clamp	87-112 mm
6	KT-765010	1 pc	Bellows	
7	KT-795024	1 pc	Rain cover	
8	TE-703492	1	Duct intake	From machine T23-033
9	KT-0539	LM	Sealing strip	L=300 mm
10	TE-702224	1 pc	Duct intake	Up to machine T23-032
11	KT-795023	1 pc	Air purifier	Complete
12	09-266036	10 pcs	Flange screw	M6SFT 8x20 8.8 FZB
13	TE-702227	1 pc	Bracket air filter	
14	TE-702187	1 pc	Rod	
15	TE-702190	1 pc	Bracket fuel filter	
16	KT-765046	1 pc	Fuel filter with water separator	Complete
17	K6077-001	2 pcs	Flange screw	M6SF 10X20 8.8 FZB
18	09-266040	1 pc	Flange screw	M6SF 12x25 8.8 FXB

Oil filter and drain



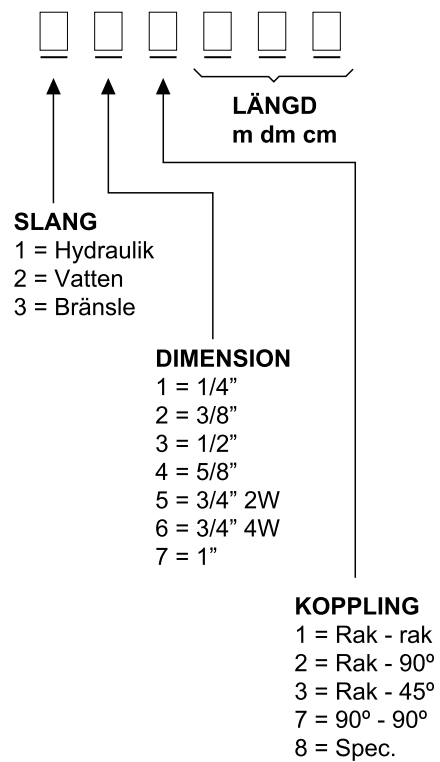
000403

Oil filter and drain

Pos	Art.	Qty.	Description	Remarks
1	KT-765035	1 pc	Engine oil filter	
-	KT-765036	1 pc	Lid	
-	KT-765036-1	1 pc	O-ring	
2	KT-765049	1 pc	Oil filler cap	
3	KT-765047	1 pc	Oil level gauge	
4	KT-765039	1 pc	Adapter	
	KT-765039-1	1 pc	Gasket	
5	KT-59950112	1 pc	Environmental oil plug	3/4"-16 UNF
6	KT-59960126	1 pc	Drain hose	

4 HYDRAULIC SYSTEM

Hose identification

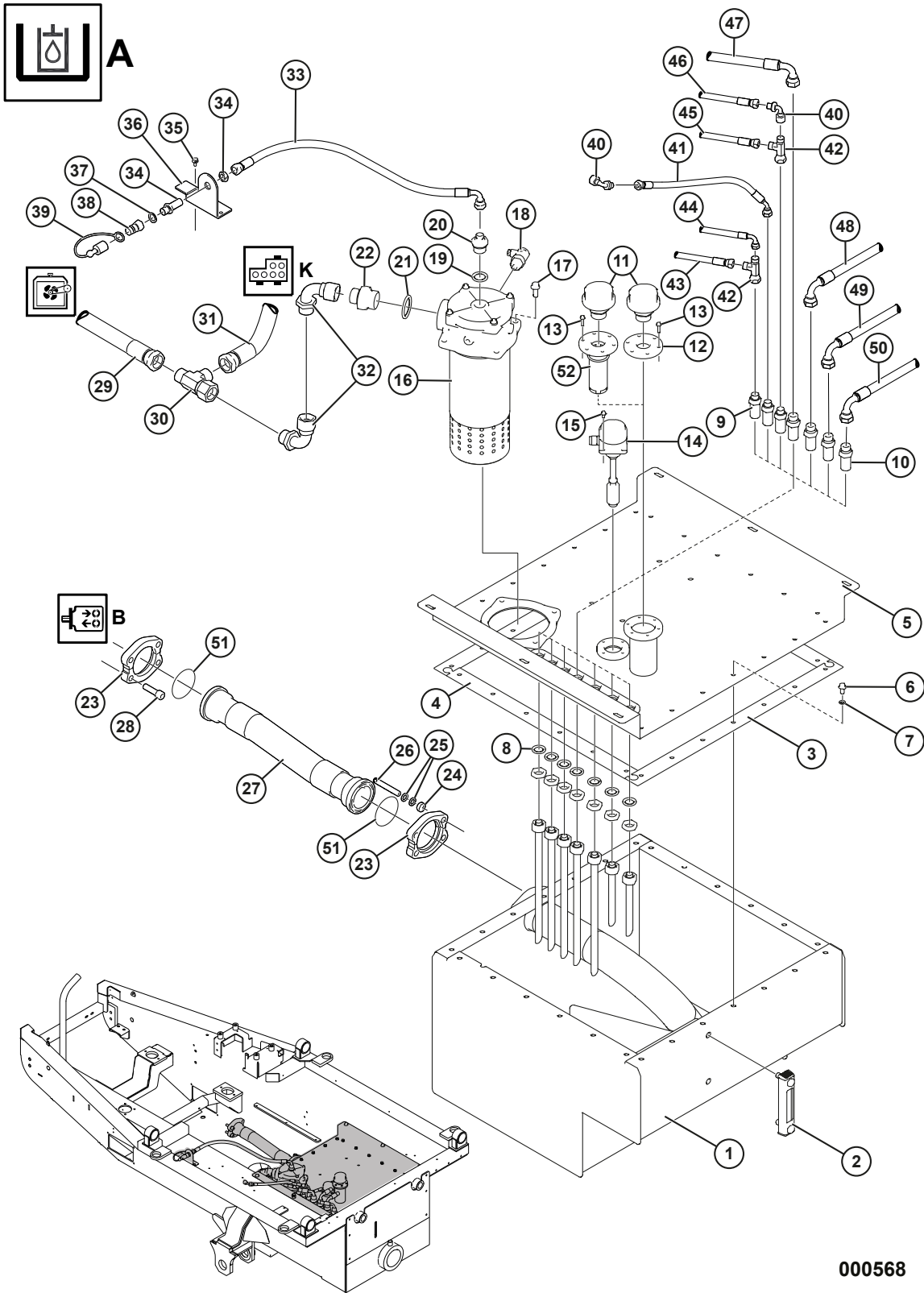


000111

Hose identification

Pos	Art.	Qty.	Description	Remarks
				Use the diagram above to identify the combination of hoses.

Hydraulic tank (A)

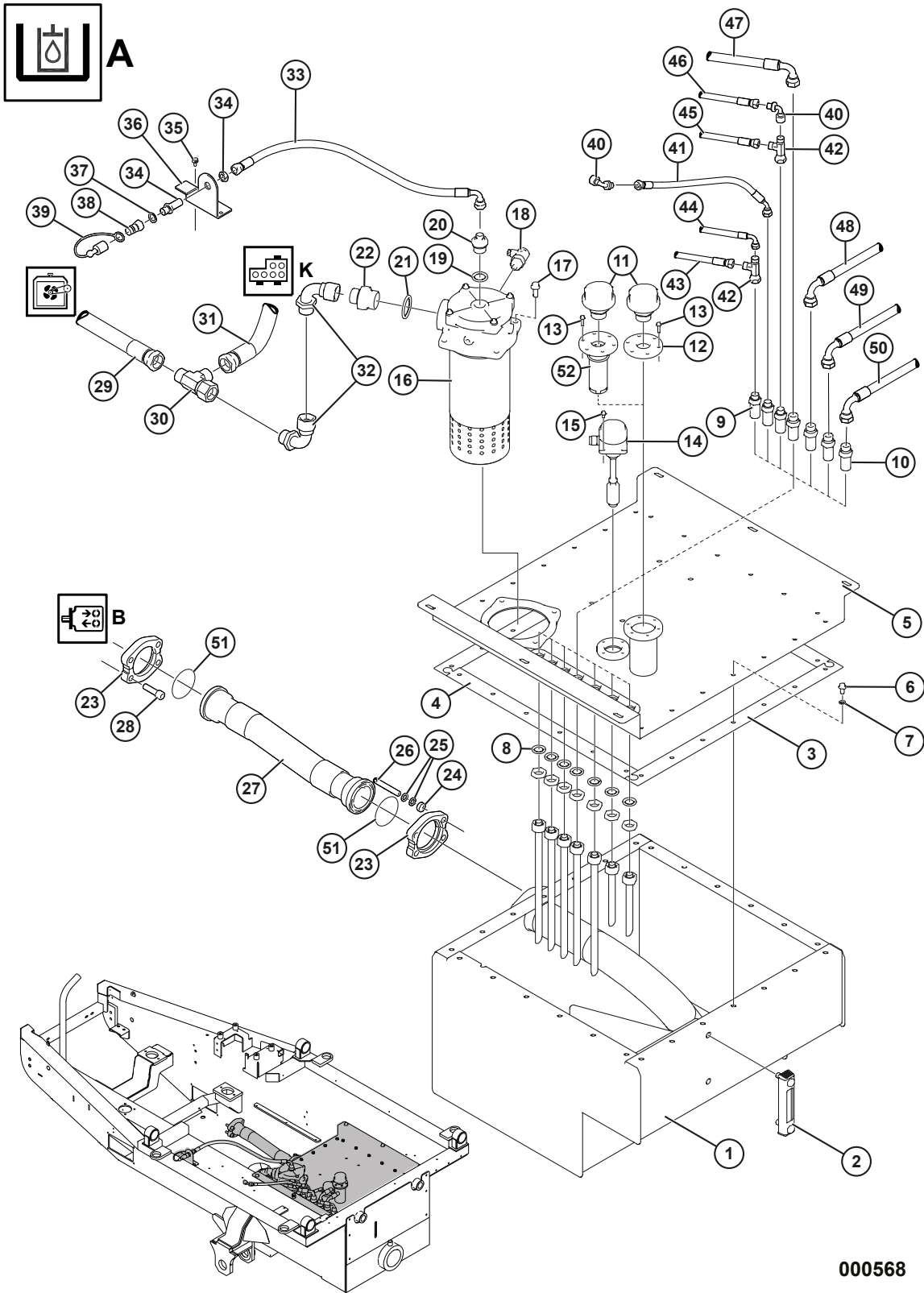


000568

Hydraulic tank (A)

Pos	Art.	Qty.	Description	Remarks
1	TE-702154	1 pc	Hydraulic tank	Up to machine no. T23-019
2	KT-890118	1 pc	Sight glass	
3	KT-702281	2 pcs	Gasket	Tank short side. Use Loctite 3020
4	KT-702282	2 pcs	Gasket	Tank long side. Use Loctite 3020
5	TE-702819	1 pc	Lid	
6	09-266793	26 pcs	Flange screw	M6SF 8x16 8.8 FZB
7	KT-56010208	26 pcs	Rubber steel washer	M8
8	KT-56010222	7 pcs	Rubber steel washer	M22
9	KT-60990073	3 pcs	Bulkhead connector	3/8"-15 L
	KT-61500015	3 pcs	Nut cutting ring	M 15 L
10	KT-60990044	4 pcs	Bulkhead connector	1/2"-15 L
	KT-61500015	4 pcs	Nut cutting ring	M 15 L
11	KT-791305	1 pc	Breather filter	
12	TE-702739	1 pc	Lid	
13	KT-267126	6 pcs	Flange screw	M6SF 5x20 8.8 FZB
14	KT-790976	1 pc	Level switch/temperature sensor	
15	09-265731	4 pcs	Flange screw	M6SF 5x10 8.8 FZB
16	KT-791143	1 pc	Return filter housing	
	KT-791143-2	1 pc	Gasket kit	Return filter housing
	KT-791143-1	1 pc	Lid	
	KT-791143-20	1 pc	O-ring	Lid
	KT-790919	1 pc	Filter insert	
17	09-267440	4 pcs	Flange screw	M6SF 10x25 8.8 FZB
18	KT-790553	1 pc	Indicator	1.2 bar
19	KT-56010112	1 pc	Rubber steel washer	3/8"
20	KT-70020612	1 pc	Rubber steel washer	3/4"
21	KT-56010120	1 pc	Rubber steel washer	1 1/4"
22	KT-70021620	1 pc	Adapter	1"UF-1 1/4"UF
23	KT-55400040	4 pcs	Flange half	SAE 3000 2 1/2"
24	K6131-02	4 pcs	Nut	M6M M12 FZB
25	K6163-000	8 pcs	Nordlock washer	M12
26	KT-267140	4 pcs	Stop screw	P6SS M12x80 45H
27	KT-791185	1 pc	Suction hose	
28	K6080-20	4 pcs	Hex screw	UC6S 1/2"x45" 8.8 FZB
29	TS-172235	1 pc	Hydraulic hose 1 L=2350 mm	1" L=2350 Straight-90°. For cooler
30	KT-74041616	1 pc	T-adapter	1"IR-1"UF-1"UF

Hydraulic tank (A)

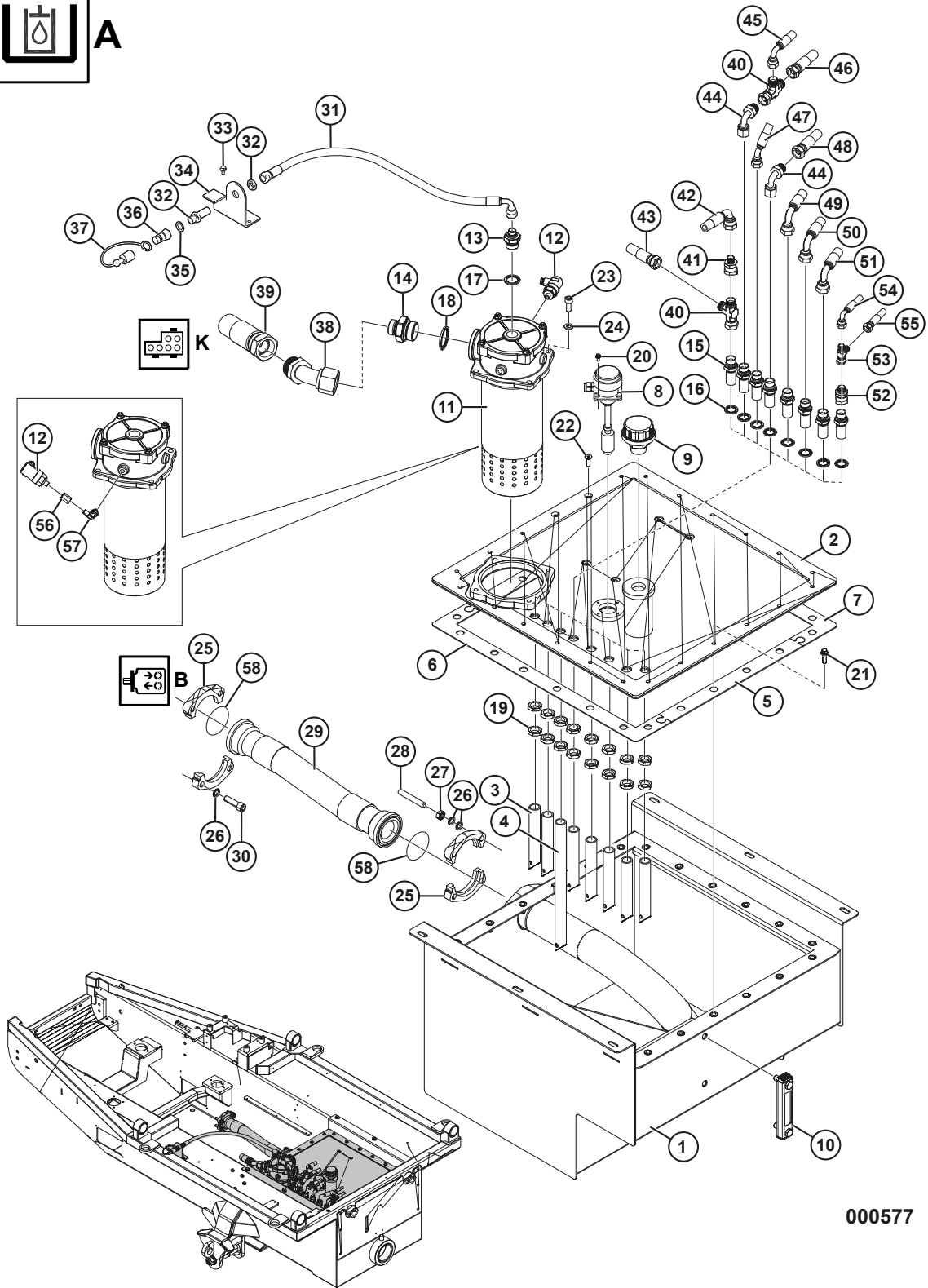


000568

Hydraulic tank (A)

Pos	Art.	Qty.	Description	Remarks
31	TS-158043	1 pc	Hydraulic hose	3/4" L=430 spec. For thermal bypass valve
32	KT-72051616	2 pcs	Angle adapter	1"UF-1"IR 90°
33	TS-122060	1 pc	Hydraulic hose	3/8 L=600 Straight-90°. Filling
34	KT-70900606	1 pc	Bulkhead connector	3/8"UF-3/8"UF
35	09-267446	3 pcs	Flange screw	M6SF 6x12 8.8 FZB
36	TE-702706	1 pc	Bracket	Relocated oil filler
37	KT-56010106	1 pc	Rubber steel washer	3/8"
38	KT-55500206	1 pc	Quick-release coupling	3/8" male
39	KT-55510406	1 pc	Dust guard	3/8"
40	KT-72050404	2 pcs	Angle adapter	1/4"UF-1/4"IR 90°
41	TS-123028	1 pc	Hydraulic hose	3/8" L=280 Straight-45°
42	KT-74040606	2 pcs	T-adapter	3/8"IR-3/8"UF-3/8"UF
43	TS-122049	1 pc	Hydraulic hose	3/8" L=490 Straight-90°
44	TS-118150	1 pc	Hydraulic hose	1/4" L=1500 spec.
45	TS-123058	1 pc	Hydraulic hose	3/8" L=580 Straight-45°
46	TS-128128	1 pc	Hydraulic hose	3/8" L=1280 spec.
47	TS-132050	1 pc	Hydraulic hose	1/2" L=500 Straight-90°
48	TS-132029	1 pc	Hydraulic hose	1/2" L=290 Straight-90°
49	TS-132056	1 pc	Hydraulic hose	1/2" L=560 Straight-90°
50	TS-122050	1 pc	Hydraulic hose	3/8" L=400 Straight-90°
51	KT-56100240	2 pcs	O-ring	ID 69.44 x T 21/3.53
52	TE-703150	1 pc	Oil trap hydraulic tank	Option

Hydraulic tank (A)

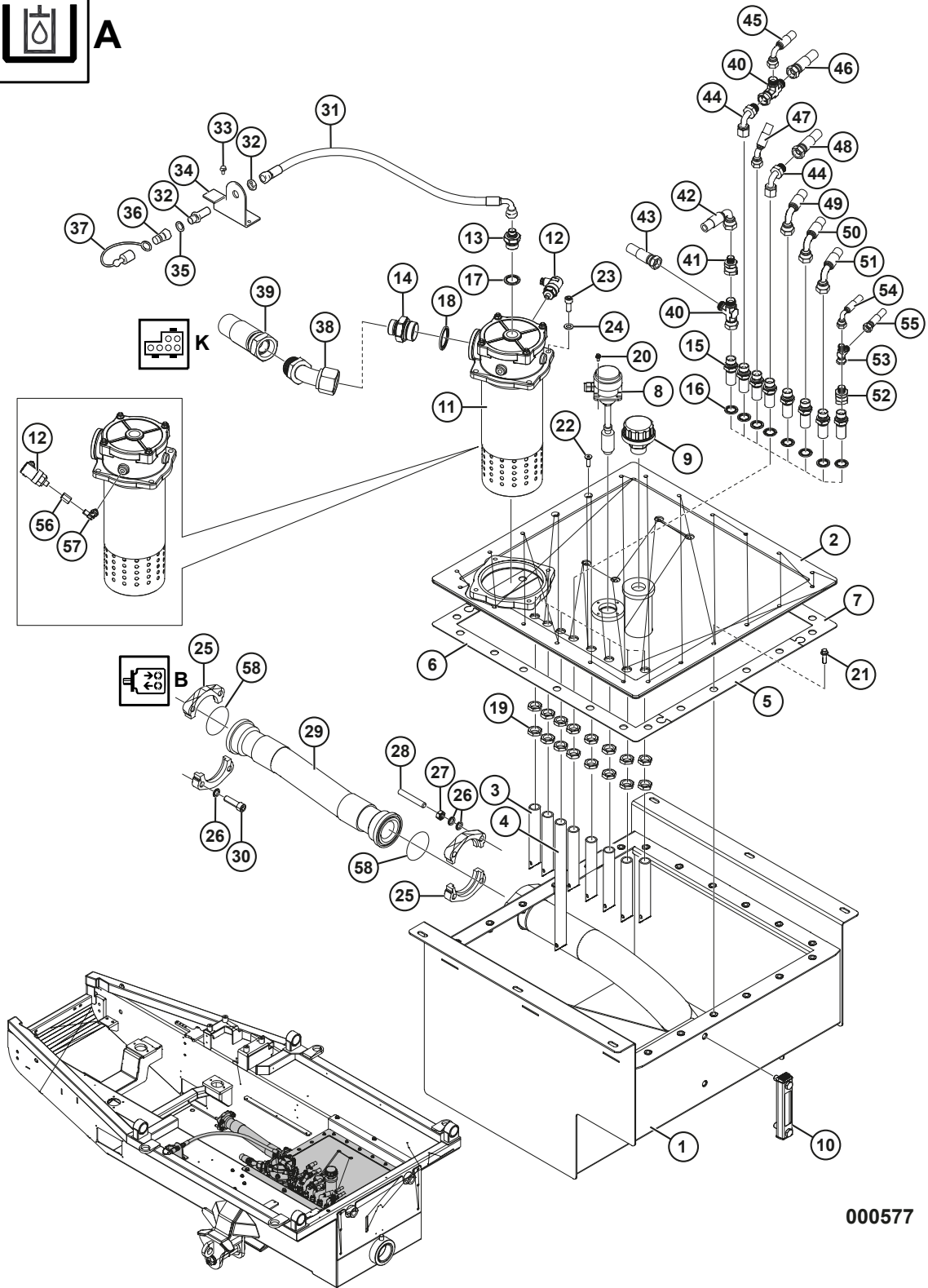


000577

Hydraulic tank (A)

Pos	Art.	Qty.	Description	Remarks
1	TE-702987	1 pc	Hydraulic tank	From machine no. T23-020
2	TE-703011	1 pc	Lid	
3	TE-703195	7 pcs	Return pipe	Short
4	TE-703196	1 pc	Return pipe	Long. Seal with thread seal tape.
5	KT-703457	2 pcs	Gasket	Front/rear. Use Loctite 3020
6	KT-703458	1 pc	Gasket	Left. Use Loctite 3020
7	KT-703459	1 pc	Gasket	Right. Use Loctite 3020
8	KT-790976	1 pc	Level switch/temperature sensor	
9	KT-791305	1 pc	Breather filter	
10	KT-890118	1 pc	Sight glass	
11	KT-791143	1 pc	Return filter housing	
	KT-791143-2	1 pc	Gasket kit	Return filter housing
	KT-791143-1	1 pc	Lid	
	KT-791143-20	1 pc	O-ring	Lid
	KT-790919	1 pc	Filter insert	
12	KT-790553	1 pc	Pressure sensor	1.2 bar
13	KT-70020612	1 pc	Adapter	3/8"UF-3/4"UF
14	KT-70021620	1 pc	Adapter	1"UF-1 1/4"UF
15	KT-70900808	8 pcs	Bulkhead connector	1/2"UF-1/2"UF
16	KT-56010108	8 pcs	Rubber steel washer	1/2"
17	KT-56010112	1 pc	Rubber steel washer	3/4"
18	KT-56010120	1 pc	Rubber steel washer	1 1/4"
19	KT-70900008	8 pcs	Lock nut	1/2"
20	09-265731	4 pcs	Flange screw	M6SF 5x10 8.8 FZB
21	09-265604	22 pcs	Flange screw	M6SF 8x25 8.8 FZB
22	K6085-0016	2 pcs	Countersunk screw	MF6S 8x25 10.9 FZB
23	K6067-26	4 pcs	Hex screw	MC6S 10x25 8.8 FZB
24	K6152	4 pcs	Flat washer	BRB M10 FZB
25	KT-55400040	4 pcs	Flange half	SAE 3000 2 1/2"
26	K6163-000	12 pcs	Nordlock washer	M12
27	K6131-02	4 pcs	Nut	M6M M12 FZB
28	KT-267140	4 pcs	Stop screw	P6SS M12x80 45H
29	KT-791185	1 pc	Suction hose	
30	K6080-20	4 pcs	Hex screw	UC6S 1/2"x45 8.8 FZB
31	TS-122060	1 pc	Hydraulic hose	3/8 L=600 Straight-90°. Filling
32	KT-70900606	1 pc	Bulkhead connector	3/8"UF-3/8"UF

Hydraulic tank (A)

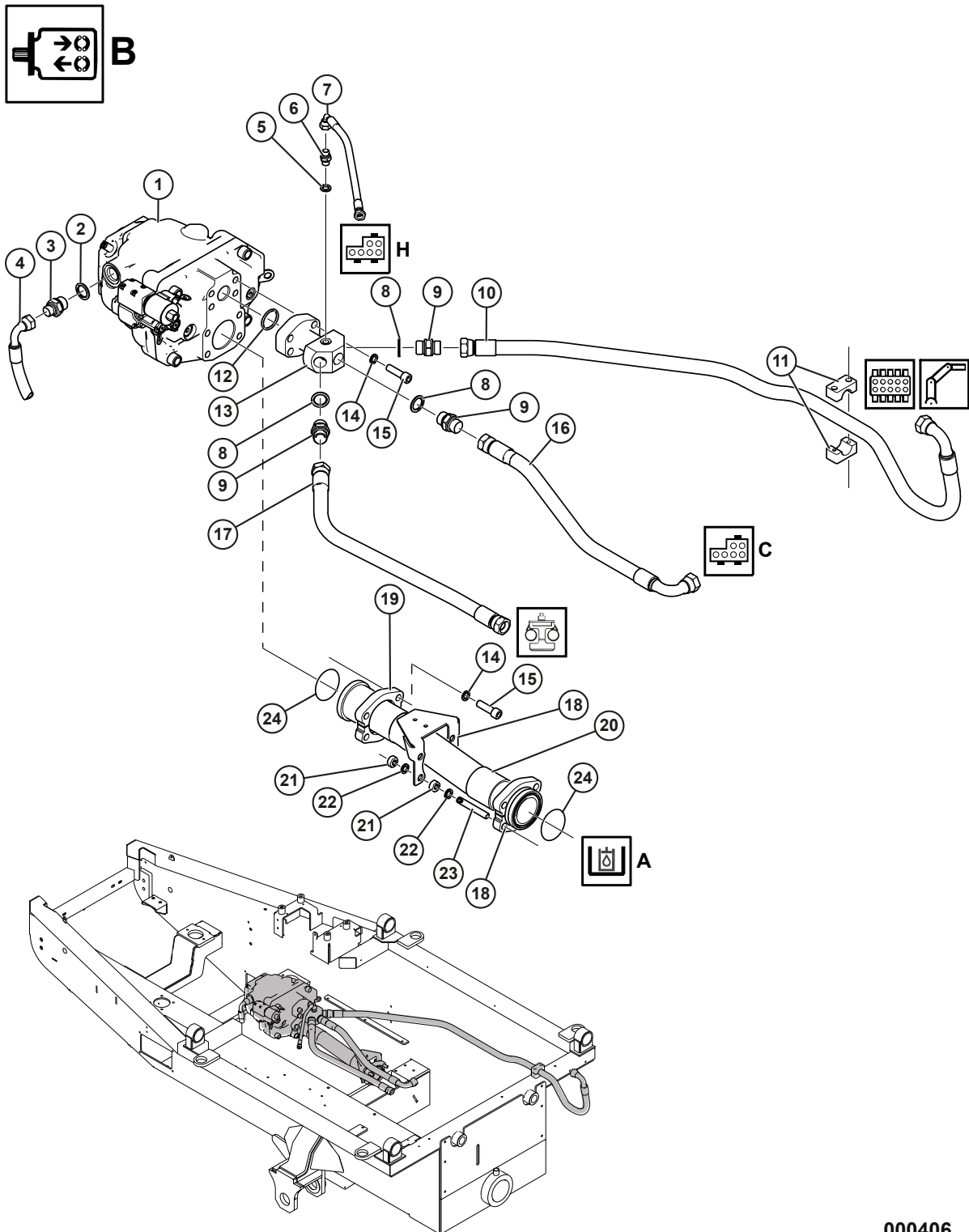


000577

Hydraulic tank (A)

Pos	Art.	Qty.	Description	Remarks
33	09-267446	3 pcs	Flange screw	M6SF 6x12 8.8 FZB
34	TE-702706	1 pc	Bracket	Relocated oil filler
35	KT-56010106	1 pc	Rubber steel washer	3/8"
36	KT-55500206	1 pc	Quick-release coupling	3/8" male
37	KT-55510406	1 pc	Dust guard	3/8"
38	KT-73051616	1 pc	Angle adapter	1"UF-1"IR 45°
39	TS-172070	1 pc	Hydraulic hose	1" L=700 Straight-90°
40	KT-74040808	2 pcs	T-adapter	1/2"IR-1/2"UF1/2"UF-
41	KT-70080608	1 pc	Adapter	1/2"IR-3/8"UF
42	TS-118115	1 pc	Hydraulic hose	1/4" L=1150 spec.
43	TS-132049	1 pc	Hydraulic hose	1/2" L=490 Straight-90°
44	KT-72050808	2 pcs	Angle adapter	1/2" 90°
45	TS-128600	1 pc	Hydraulic hose	3/8" L=6000 spec.
46	TS-132140	1 pc	Hydraulic hose	1/2" L=1400 Straight-90°
47	TS-123028	1 pc	Hydraulic hose	3/8" L=280 Straight-45°
48	TS-133060-2	1 pc	Hydraulic hose	1/2" L=600 Straight-45°
49	TS-132040	1 pc	Hydraulic hose	1/2" L=400 Straight-90°
50	TS-132066	1 pc	Hydraulic hose	1/2" L=660 Straight-90°
51	TS-128050-2	1 pc	Hydraulic hose	1/2" Spec.
52	KT-70080408	1 pc	Adapter	1/4"UF-1/2"IR
53	KT-740404041	1 pc	T-adapter	1/4"IR-1/4"UF-1/4"UF
54	TS-112100	1 pc	Hydraulic hose	1/4" L=1000 Straight-90°
55	TS-112030	1 pc	Hydraulic hose	1/4" L=300 Straight-90°
56	KT-70110202	1 pc	Adapter	1/8"IF-1/8"IF - Seal with Loctite 542. From machine T24-002.
57	KT-72040202	1 pc	Adjustable angle adapter	1/8"UF-1/8"UF STB. From machine T24-002.
58	KT-56100240	2 pcs	O-ring	ID 69.44 x T 21/3.53

Hydraulic pump (B)

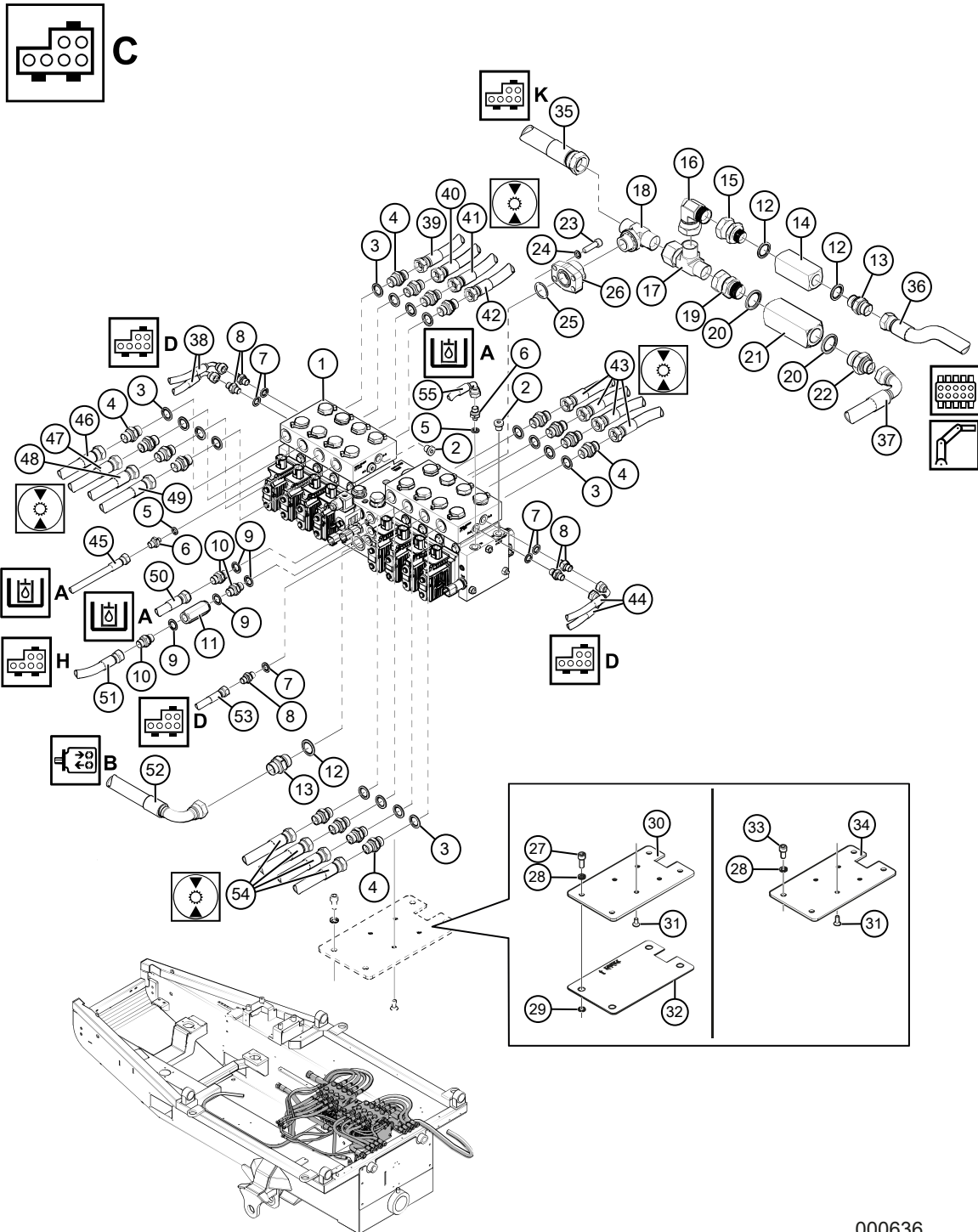


000406

Hydraulic pump (B)

Pos	Art.	Qty.	Description	Remarks
1	KT-791320	1 pc	Pump drive	130cc 24V
-	KT-791320-1		Displacement screw	
2	KT-56010112	1 pc	Rubber steel washer	3/4"
3	KT-70020812	1 pc	Adapter	1/2"U-3/4"UF
4	TS-128128	1 pc	Hydraulic hose	3/8" L=1280 Straight-90°
5	KT-56010104	1 pc	Rubber steel washer	1/4"
6	KT-70020404	1 pc	Adapter	1/4"UF-1/4"UF
7	TS-122028	1 pc	Hydraulic hose	3/8 L=280 Straight-90°
8	KT-56010112	3 pcs	Rubber steel washer	3/4"
9	KT-70021212	3 pcs	Adapter	3/4"UF-3/4"UF
10	TS-162180	1 pc	Hydraulic hose	3/4 L=1800 Straight-90°
11	KT-53900528	2 pcs	Clamp	Simple
12	KT-56100220	1 pc	O-ring	For SAE Flange 1 1/4"
13	KT-703134	1 pc	Distributor block	Replaces KT-701800
14	K6163-000	8 pcs	Nordlock washer	M12
15	K6080-20	8 pcs	Hex screw	U6CS 1/2"x45 8.8 FZB
16	TS-162051	1 pc	Hydraulic hose	3/4 L=510 Straight-90°
17	TS-161075	1 pc	Hydraulic hose	3/4 L=800 Straight-Straight
18	KT-55400040	4 pcs	Flange half	SAE 3000 2 1/2"
19	TE-702737	1 pc	Mounting bracket distributor block	
20	KT-791185	1 pc	Suction hose	
21	K6131-02	8 pcs	Nut	M6M 12 FZB
22	K6163-000	8 pcs	Nordlock washer	M12
23	KT-267140	4 pcs	Stop screw	P6SS M12x80 45H
24	KT-56100240	2 pcs	O-ring	ID 69.44 x T 21/3.53

Drive valve (C)

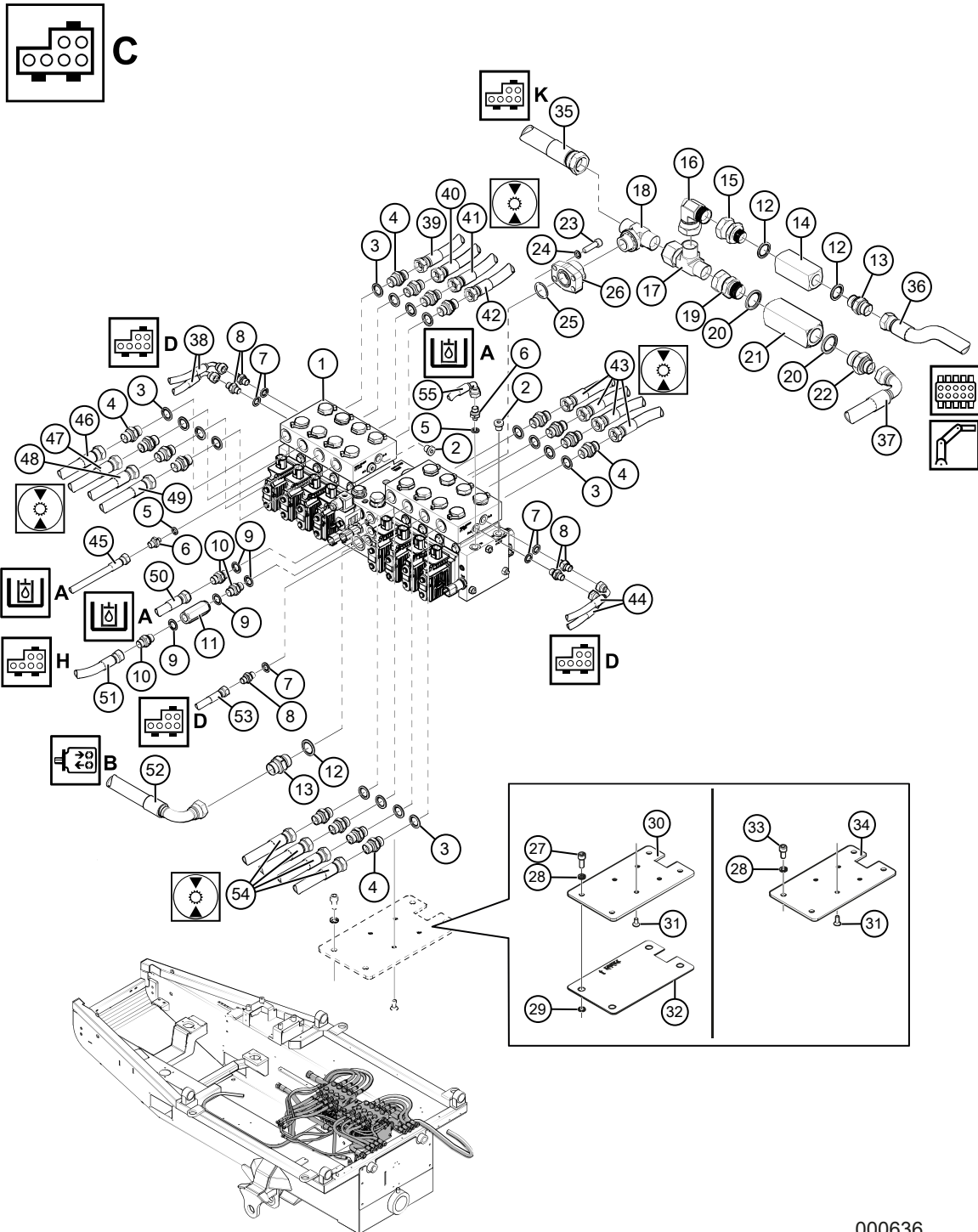


000636

Drive valve (C)

Pos	Art.	Qty.	Description	Remarks
1	KT-791219	1 pc	Drive valve	8WD. Up to machine T23-019. Not T23-016.
	KT-791625	1 pc	Solenoid valve	
	KT-791606	1 pc	Solenoid coil	24VDC
	KT-791453	16 pcs	Power module	Not CAN
1	KT-791433	1 pc	Drive valve	8WD CAN controlled. From Machine T23-020. Also T23-016.
	KT-791625	1 pc	Solenoid valve	
	KT-791606	1 pc	Solenoid coil	24VDC
	KT-240046	16 pcs	Power module	CAN
2	KT-75030004	5 pcs	Hexagonal plug	1/4"
3	KT-56010108	16 pcs	Rubber steel washer	1/2"
4	KT-70020808	16 pcs	Adapter	1/2"UF-1/2"UF
5	KT-56010102	2 pcs	Rubber steel washer	1/8"
6	KT-70020204	2 pcs	Adapter	1/8"UF-1/4"UF
7	KT-56010104	5 pcs	Rubber steel washer	1/4"
8	KT-70020404	5 pcs	Adapter	1/4"UF-1/4"UF
9	KT-56010106	4 pcs	Rubber steel washer	3/8"
10	KT-70020606	3 pcs	Adapter	3/8"UF-3/8"UF
11	KT-790653	1 pc	Non-return valve	3/8", 0.5 bar
12	KT-56010112	3 pcs	Rubber steel washer	3/4"
13	KT-70021212	2 pcs	Adapter	3/4"UF-3/4"UF
14	KT-790913	1 pc	Non-return valve	3/4", 4.5 bar
15	KT-70081216	1 pc	Adapter	3/4"UF-1"IR
16	KT-72031616	1 pc	Angle adapter	1"UF-1"IR 90°
17	KT-74041616	1 pc	T-adapter	1"IR-1"UF-1"UF
18	KT-74131616	1 pc	Adjustable T-adapter	1"UF-1"UF-1"UF STB
19	KT-70081616	1 pc	Adapter	1"UF-1"IR
20	KT-56010116	2 pcs	Rubber steel washer	1"
21	KT-790962	1 pc	Non-return valve	1", 0.35 bar
22	KT-70021216	1 pc	Adapter	3/4"UF-1"UF
23	K6067-20	4 pcs	Hex screw	MC6S 10x35 FZB
24	K6163-003	4 pcs	Locking washer	Nordlock M10
25	KT-56100216	1 pc	O-ring	For SAE flange 1"
26	KT-55410016	1 pc	Threaded flange	1" SAE
27	K6067-26	4 pcs	Hex screw	MC6S 10x25 8.8 FZB
28	K6163-003	4 pcs	Locking washer	Nordlock M10
29	KT-791388	4 pcs	O-ring	11.0x2.5

Drive valve (C)

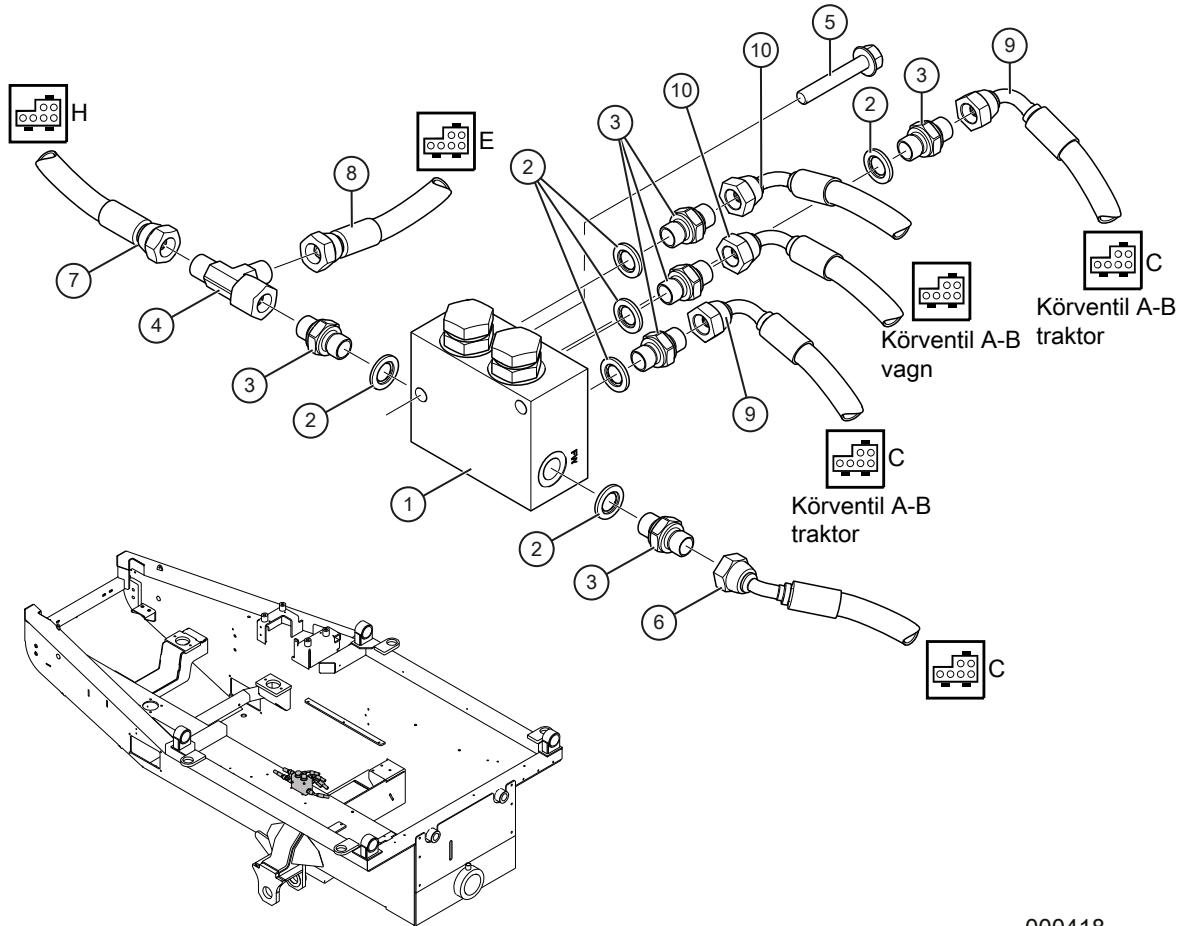
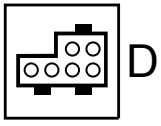


000636

Drive valve (C)

Pos	Art.	Qty.	Description	Remarks
30	TE-702165	1 pc	Mounting plate drive valve	For hydraulic tank TE-702154. Up to machine no. T23-019.
31	K6085-062	4 pcs	Countersunk screw	MF6S 8x16 10.9 FZB
32	TE-703145	1 pc	Plate	For hydraulic tank TE-702154. Up to machine no. T23-019.
33	K6067-18	4 pcs	Hex screw	MC6S 10x20 FZB
34	TE-703160	1 pc	Mounting plate drive valve	For hydraulic tank TE-702987. From machine no. T23-020.
35	TS-171045	1 pc	Hydraulic hose	1" L=450 Straight-Straight
36	TS-151095	1 pc	Hydraulic hose	3/4" L=950 Straight-Straight
37	TS-152065	1 pc	Hydraulic hose	3/4" L=650 Straight-90°
38	TS-112060	2 pcs	Hydraulic hose	1/4" L=600 Straight-90°
39	TS-132250	1 pc	Hydraulic hose	1/2" L=2500 Straight-90°
40	TS-132220	1 pc	Hydraulic hose	1/2" L=2200 Straight-90°
41	TS-132210	1 pc	Hydraulic hose	1/2" L=2100 Straight-90°
42	TS-132205	1 pc	Hydraulic hose	1/2" L=2050 Straight-90°
43	TS-131045-2	4 pcs	Hydraulic hose	1/2" L=450 Straight-Straight
44	TS-112100	2 pcs	Hydraulic hose	1/4" L=1000 Straight-90°
45	TS-112100	1 pc	Hydraulic hose	1/4" L=1000 Straight-90°
46	TS-132185	1 pc	Hydraulic hose	1/2" L=1850 Straight-90°
47	TS-132155	1 pc	Hydraulic hose	1/2" L=1550 Straight-90°
48	TS-132220	1 pc	Hydraulic hose	1/2" L=2200 Straight-90°
49	TS-132220	1 pc	Hydraulic hose	1/2" L=2200 Straight-90°
50	TS-122050	1 pc	Hydraulic hose	3/8" L=400 Straight-90°
51	TS-122157	1 pc	Hydraulic hose	3/8" L=1570 Straight-90°
52	TS-162051	1 pc	Hydraulic hose	3/4" L=510 Straight-90°
53	TS-113045	1 pc	Hydraulic hose	1/4" L=450 Straight-45°
54	TS-131050-2	4 pcs	Hydraulic hose	1/2" L=500 Straight-Straight
55	TS-112030	1 pc	Hydraulic hose	1/4" L=300 Straight-90°

Block valve drain (D)

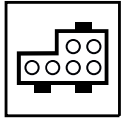


000418

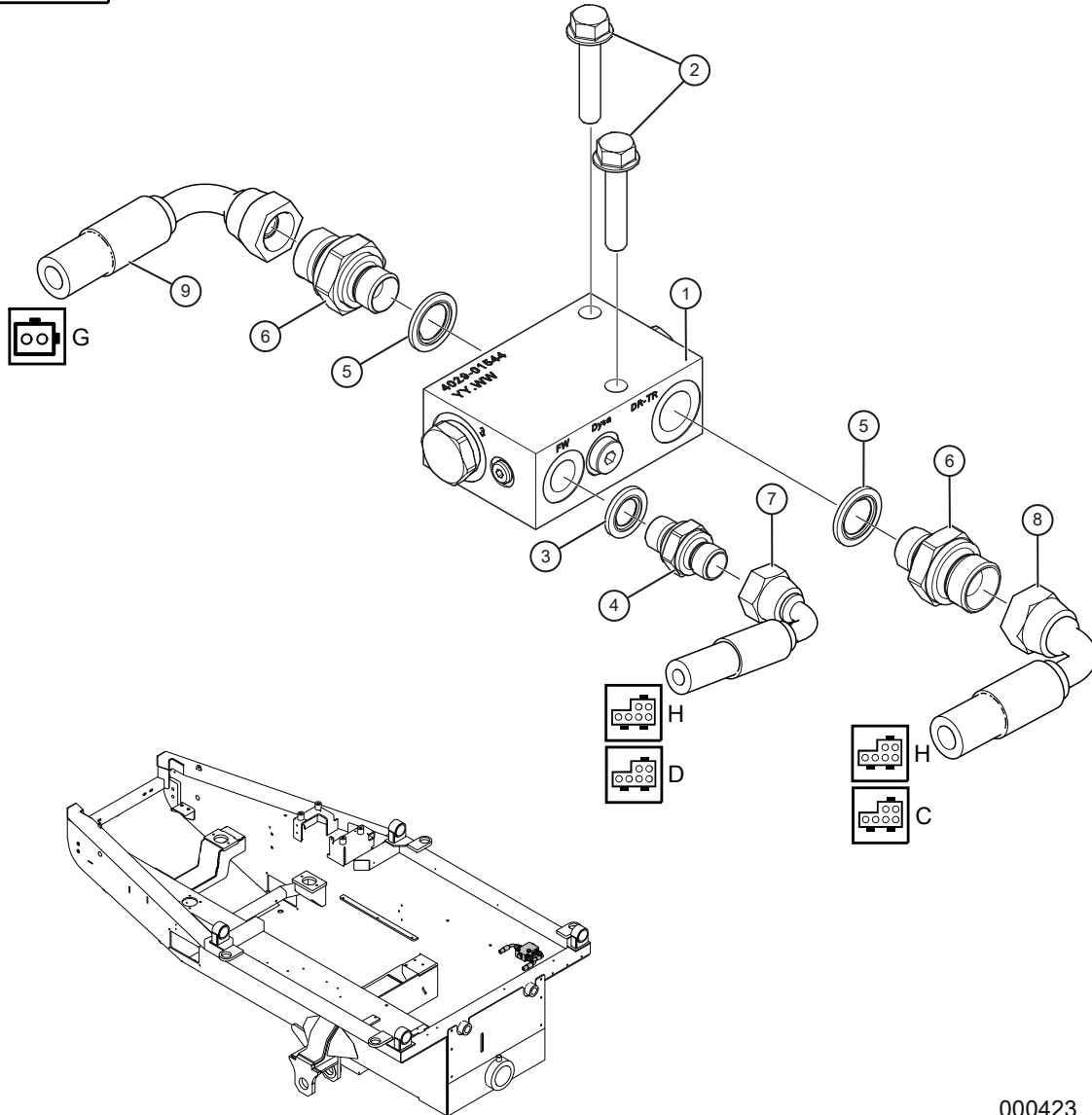
Block valve drain (D)

Pos	Art.	Qty.	Description	Remarks
1	KT-791210	1 pc	Block valve drain	
2	KT-56010104	6 pcs	Rubber steel washer	1/4"
3	KT-70020404	6 pcs	Adapter	1/4"UF-1/4"UF
4	KT-740404041	1 pc	T-adapter	1/4"IR"/UF"/UF
5	09-266194	2 pcs	Flange screw	M6SF 8x50 8.8 FZB
6	TS-113045	1 pc	Hydraulic hose	1/4 L=450 mm Straight-45°
7	TS-112100	1 pc	Hydraulic hose	1/4 L=1000 mm Straight-90°
8	TS-112152	1 pc	Hydraulic hose	1/4 L=1520 mm Straight-90°. Counter pressure block drain *V1*, for Poclain
9	TS-112060	2 pcs	Hydraulic hose	1/4 L=600 mm Straight-90°
10	TS-112100	2 pcs	Hydraulic hose	1/4 L=1000 mm Straight-90°

Valve block drain trailer (E)



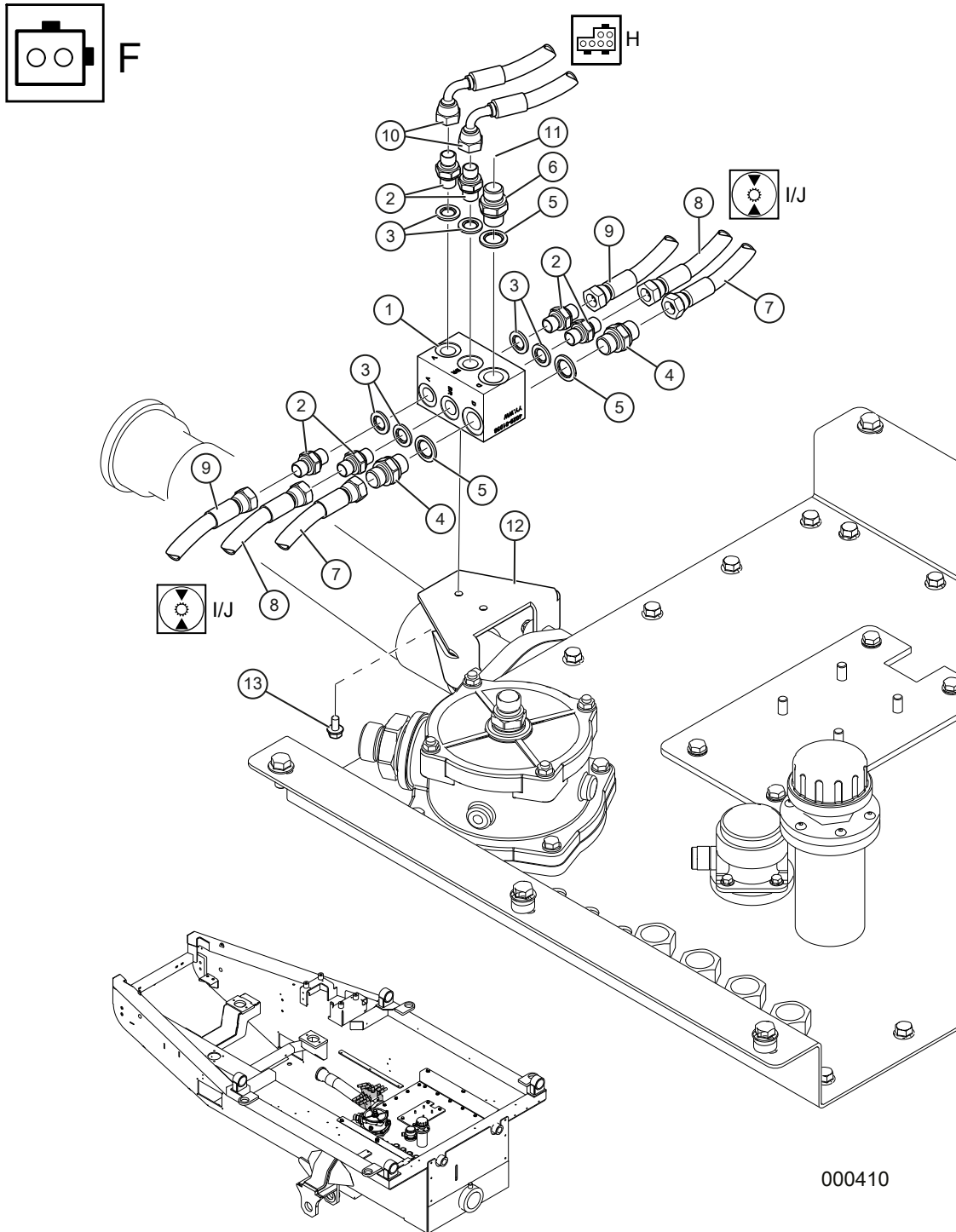
E



Valve block drain trailer (E)

Pos	Art.	Qty.	Description	Remarks
1	KT-791227	1 pc	Valve block drainage trailer	Complete
2	09-267330	2 pcs	Flange screw	M6SFT 8x40 8.8 FZB
3	KT-56010104	1 pc	Rubber steel washer	1/4"
4	KT-70020404	1 pc	Adapter	1/4"UF-1/4"UF
5	KT-56010106	2 pcs	Rubber steel washer	3/8"
6	KT-70020608	2 pcs	Adapter	3/8"UF-1/2"UF
7	TS-112152	1 pc	Hydraulic hose	1/4" L=1520 mm Straight-90°
8	TS-132060-2	1 pc	Hydraulic hose	1/2" L=600 mm Straight-90°
9	TS-132066	1 pc	Hydraulic hose	1/2" L=660 mm Straight-90°

Distribution block front bogie (F)

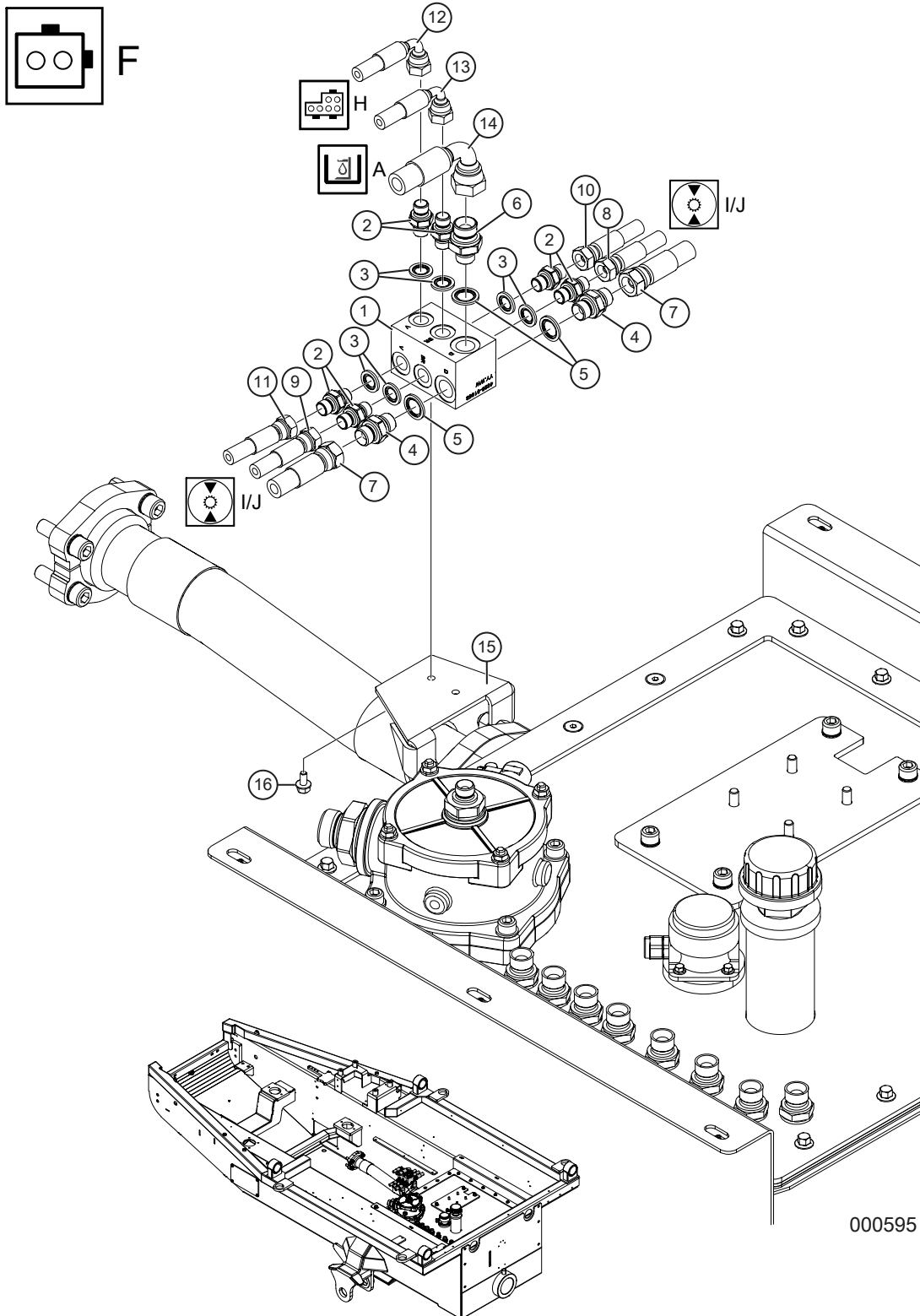


000410

Distribution block front bogie (F)

Pos	Art.	Qty.	Description	Remarks
1	KT-790600	1 pc	Valve block	
2	KT-70020404	6 pcs	Adapter	1/4"UF-1/4"UF
3	KT-56010104	6 pcs	Rubber steel washer	1/4"
4	KT-70020606	2 pcs	Adapter	3/8"UF-3/8"UF
5	KT-56010106	3 pcs	Rubber steel washer	3/8"
6	KT-70020608	1 pc	Adapter	3/8"UF-1/2"UF
7	TS-121150	2 pcs	Hydraulic hose	3/8 L=1500 mm Straight-Straight
8	TS-112150	2 pcs	Hydraulic hose	1/4 L=1500 mm Straight-90°. Brake.
9	TS-112160	2 pcs	Hydraulic hose	1/4 L=1600 mm Straight-90°. Gear
10	TS-112055	2 pcs	Hydraulic hose	1/4 L=550 mm Straight-90°
11	TS-132049	1 pc	Hydraulic hose	1/2" L=490 mm Straight-90°
12	TE-702737	1 pc	Mounting bracket distributor block	
13	09-267446	2 pcs	Flange screw	M6SF 6x12 8.8 FZB

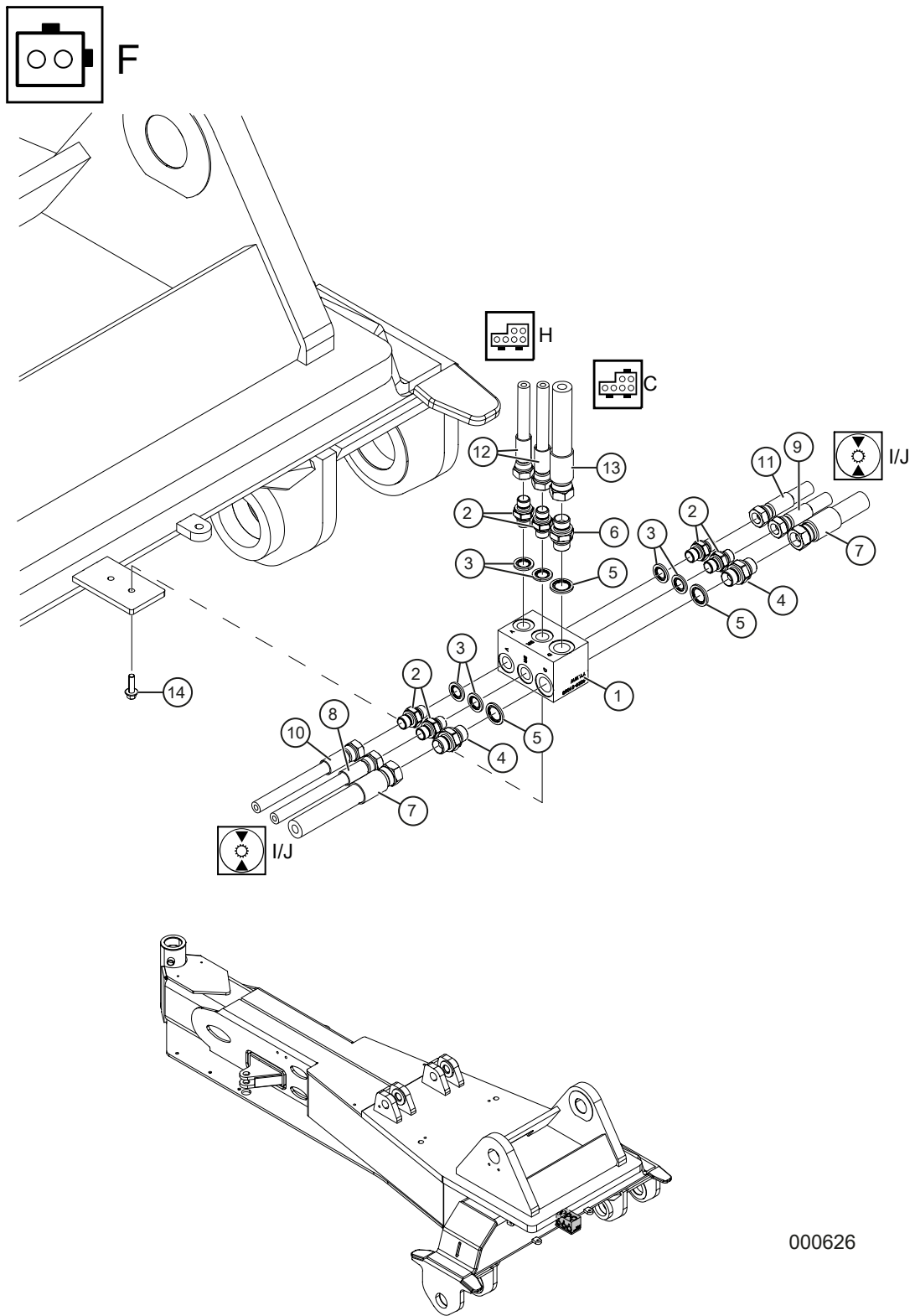
Distribution block front bogie (F)



Distribution block front bogie (F)

Pos	Art.	Qty.	Description	Remarks
1	KT-790600	1 pc	Valve block	
2	KT-70020404	6 pcs	Adapter	1/4"UF-1/4"UF
3	KT-56010104	6 pcs	Rubber steel washer	1/4"
4	KT-70020606	2 pcs	Adapter	3/8"UF-3/8"UF
5	KT-56010106	3 pcs	Rubber steel washer	3/8"
6	KT-70020608	1 pc	Adapter	3/8"UF-1/2"UF
7	TS-121165	2 pcs	Hydraulic hose	3/8 L=1650 mm Straight-Straight
8	TS-112130	1 pc	Hydraulic hose	1/4 L=1300 mm Straight-90°. Brake.
9	TS-112120	1 pc	Hydraulic hose	1/4" L=1200 mm Straight-90°. Brake.
10	TS-112205	1 pc	Hydraulic hose	1/4" L=2050 mm Straight-90°. Gear
11	TS-111212	1 pc	Hydraulic hose	1/4" L=2120 mm Straight-Straight. Gear
12	TS-112055	1 pc	Hydraulic hose	1/4 L=550 mm Straight-90°
13	TS-112125-2	1 pc	Hydraulic hose	1/4" L=1250 mm Straight-90°
14	TS-132049	1 pc	Hydraulic hose	1/2" L=490 mm Straight-90°
15	TE-702737	1 pc	Mounting bracket distributor block	
16	09-267446	2 pcs	Flange screw	M6SF 6x12 8.8 FZB

Distributor block rear bogie (G)

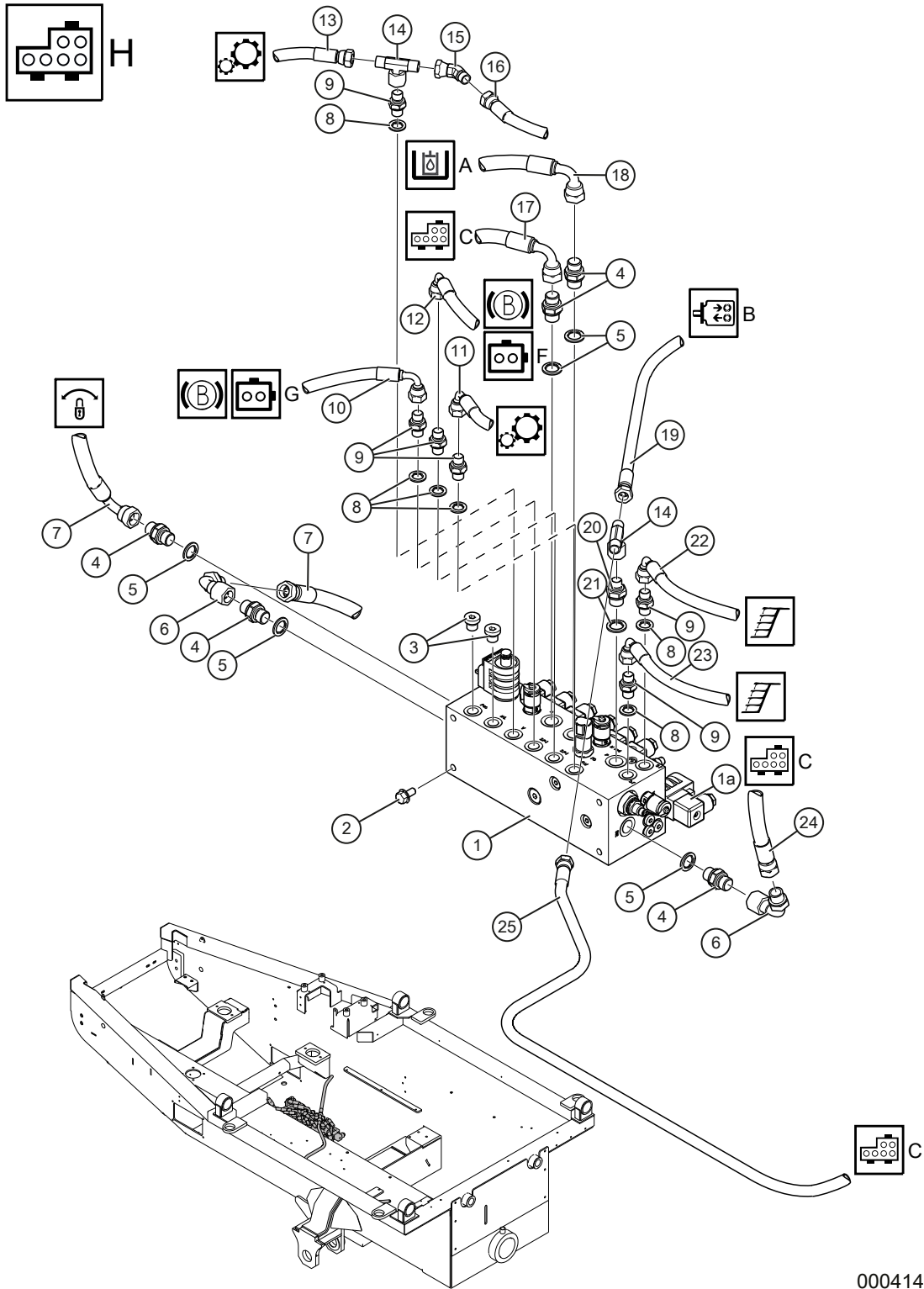


000626

Distributor block rear bogie (G)

Pos	Art.	Qty.	Description	Remarks
1	KT-790600	1 pc	Valve block	
2	KT-70020404	6 pcs	Adapter	1/4"UF-1/4"UF
3	KT-56010104	6 pcs	Rubber steel washer	1/4"
4	KT-70020606	2 pcs	Adapter	3/8"UF-3/8"UF
5	KT-56010106	3 pcs	Rubber steel washer	3/8"
6	KT-70020608	1 pc	Adapter	3/8"UF-1/2"UF
7	TS-121130	2 pcs	Hydraulic hose	3/8" L=1300 Straight-Straight
8	TS-112095	1 pc	Hydraulic hose	1/4" L=950 Straight-90°. Brake
9	TS-112090	1 pc	Hydraulic hose	1/4" L=900 Straight-90°. Brake
10	TS-111170	1 pc	Hydraulic hose	1/4" L=1700 Straight-Straight. Gear
11	TS-112170	1 pc	Hydraulic hose	1/4" L=1700 Straight-90°. Gear
12	TS-111270	2 pcs	Hydraulic hose	1/4" L=2700 Straight-Straight
13	TS-131270	1 pc	Hydraulic hose	1/2" L=2700 Straight-Straight
14	09-267711	2 pcs	Flange screw	M6SF 6x20 8.8 FZB

Pilot block (H)

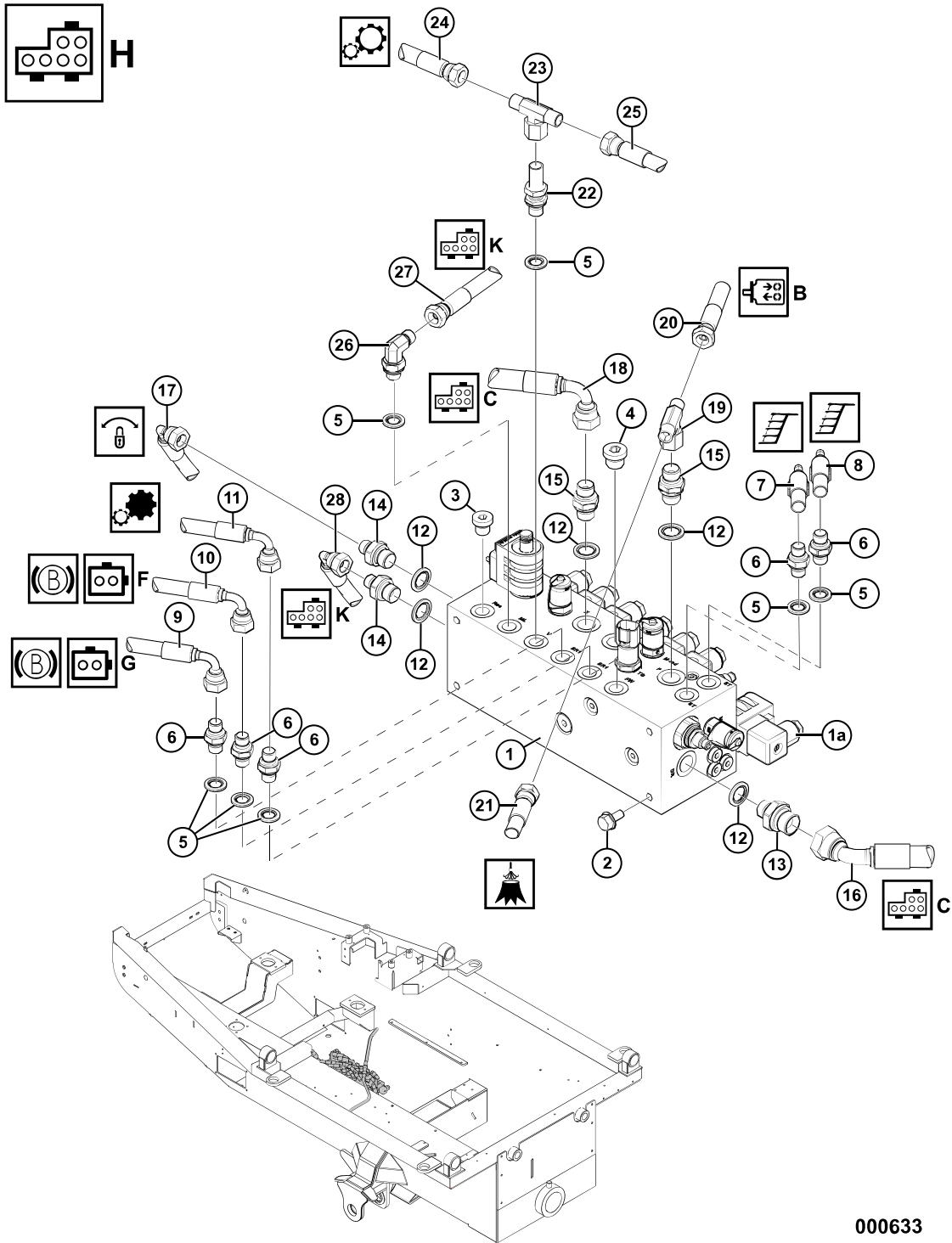


000414

Pilot block (H)

Pos	Art.	Qty.	Description	Remarks
1	KT-791214	1 pc	Pilot block	Complete
-1a	KT-791214-2		Electrically operated directional valve cartridge 4/2	
-	KT-790566-2		Solenoid	12VDC
-	KT-791214-3		Electric solenoid	24V
2	09-266793	4 pcs	Screw	M6S 8x16 8.8 FZB
3	KT-75030004	2 pcs	Hexagonal plug	1/4"
4	KT-70020606	5 pcs	Adapter	3/8"UF-3/8"UF
5	KT-56010106	5 pcs	Rubber steel washer	3/8"
6	KT-72050606	2 pcs	Angle adapter	3/8"UF-3/8"IR 90°
7	TS-112085	2 pcs	Hydraulic hose	1/4" L=850 mm Straight-90°
8	KT-56010104	6 pcs	Rubber steel washer	1/4"
9	KT-70020404	6 pcs	Adapter	1/4"UF-1/4"UF
10	TS-112220	1 pc	Hydraulic hose	1/4" L=2200 mm Straight-90°
11	TS-112152	1 pc	Hydraulic hose	1/4" L=1520 mm Straight-90°
12	TS-112055	1 pc	Hydraulic hose	1/4" L=550 mm Straight-90°
13	TS-112207	1 pc	Hydraulic hose	1/4" L=2070 mm Straight-90°
14	KT-74030404	2 pcs	T-adapter	1/4"UF/UF/IR
15	KT-73030404	1 pc	Angle adapter	1/4"UF-1/4"IR 45°
16	TS-112055	1 pc	Hydraulic hose	1/4" L=550 mm Straight-90°
17	TS-122157	1 pc	Hydraulic hose	3/8" L=1570 mm Straight-90°
18	TS-112130	1 pc	Hydraulic hose	1/4" L=1300 mm Straight-90°
19	TS-122028	1 pc	Hydraulic hose	3/8" L=280 mm Straight-90°
20	KT-70020406	1 pc	Adapter	1/4"UF-3/8"UF
21	KT-56010106	1 pc	Rubber steel washer	3/8"
22	TS-112330	1 pc	Hydraulic hose	1/4" L=3300 mm Straight-90°
23	TS-112317	1 pc	Hydraulic hose	1/4" L=3170 mm Straight-90°
24	TS-132050	1 pc	Hydraulic hose	1/2" L=500 mm Straight-90°
25	TS-118090	1 pc	Hydraulic hose	1/4" L=900 mm spec.

Pilot block (H)

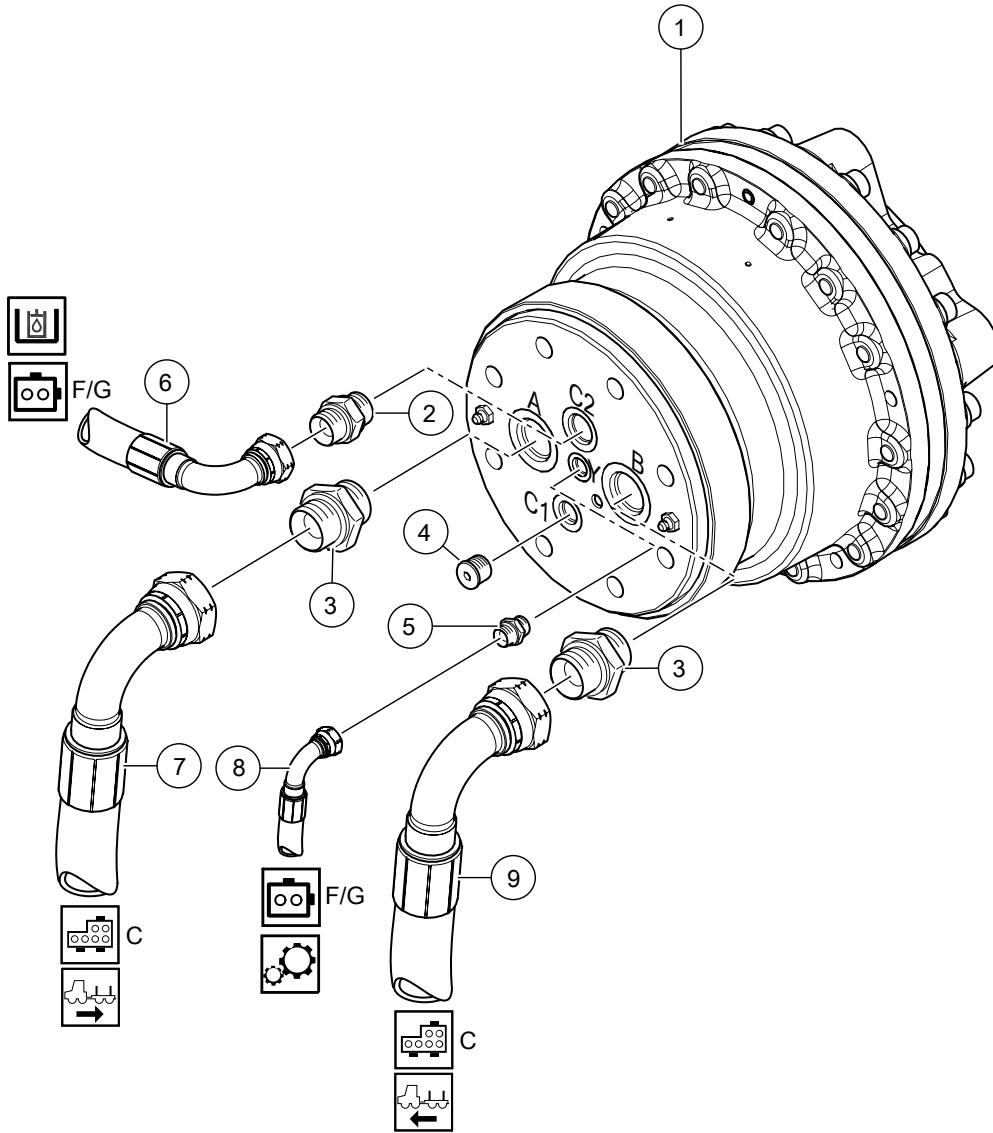
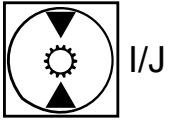


000633

Pilot block (H)

Pos	Art.	Qty.	Description	Remarks
1	KT-791214	1 pc	Pilot block	Complete
-1a	KT-791214-2		Electrically operated directional valve cartridge 4/2	
-	KT-790566-2		Solenoid	12VDC
-	KT-791214-3		Electric solenoid	24V
2	09-266793	4 pcs	Screw	M6S 8x16 8.8 FZB
3	KT-75030004	1 pc	Hexagonal plug	1/4"
4	KT-75030006	1 pc	Hexagonal plug	3/8"
5	KT-56010104	7 pcs	Rubber steel washer	1/4"
6	KT-70020404	5 pcs	Adapter	1/4"UF-1/4"UF
7	TS-112330	1 pc	Hydraulic hose	1/4" L=3300 mm Straight-90°
8	TS-112317	1 pc	Hydraulic hose	1/4" L=3170 mm Straight-90°
9	TS-112220	1 pc	Hydraulic hose	1/4" L=2200 mm Straight-90°
10	TS-112125-2	1 pc	Hydraulic hose	1/4" L=1250 mm Straight-90°
11	TS-112100	1 pc	Hydraulic hose	1/4" L=1000 mm Straight-90°
12	KT-56010106	5 pcs	Rubber steel washer	3/8"
13	KT-70020608	1 pc	Adapter	3/8"UF-1/2"UF
14	KT-70020406	2 pcs	Adapter	1/4"UF-3/8"UF
15	KT-70020606	2 pcs	Adapter	3/8"UF-3/8"UF
16	TS-133060-2	1 pc	Hydraulic hose	1/2" L=600 mm Straight-45°
17	TS-112085	1 pc	Hydraulic hose	1/4" L=850 mm Straight-90°
18	TS-122155-2	1 pc	Hydraulic hose	3/8" L=1550 mm Straight-90°
19	KT-74030606	1 pc	T-adapter	3/8"UF/UF/IR. Used with Urea.
20	TS-122028	1 pc	Hydraulic hose	3/8" L=280 mm Straight-90°
21	TS-118090	1 pc	Hydraulic hose	1/4" L=900 mm spec. Used with Urea.
22	KT-70900404	1 pc	Bulkhead connector	1/4"UF-1/4"UF
23	KT-74030404	1 pc	T-adapter	1/4"UF/UF/IR
24	TS-111220	1 pc	Hydraulic hose	1/4" L=2200 mm Straight-Straight
25	TS-112055	1 pc	Hydraulic hose	1/4" L=550 mm Straight-90°
26	KT-72040404	1 pc	Adjustable angle adapter	1/4"UF-1/4"UF 90° Adj.
27	TS-111055-2	1 pc	Hydraulic hose	1/4" L= 550 mm Straight-Straight
28	TS-112085	1 pc	Hydraulic hose	1/4" L=850 mm Straight-90°

In-wheel motor, wheel w/o brake (A)

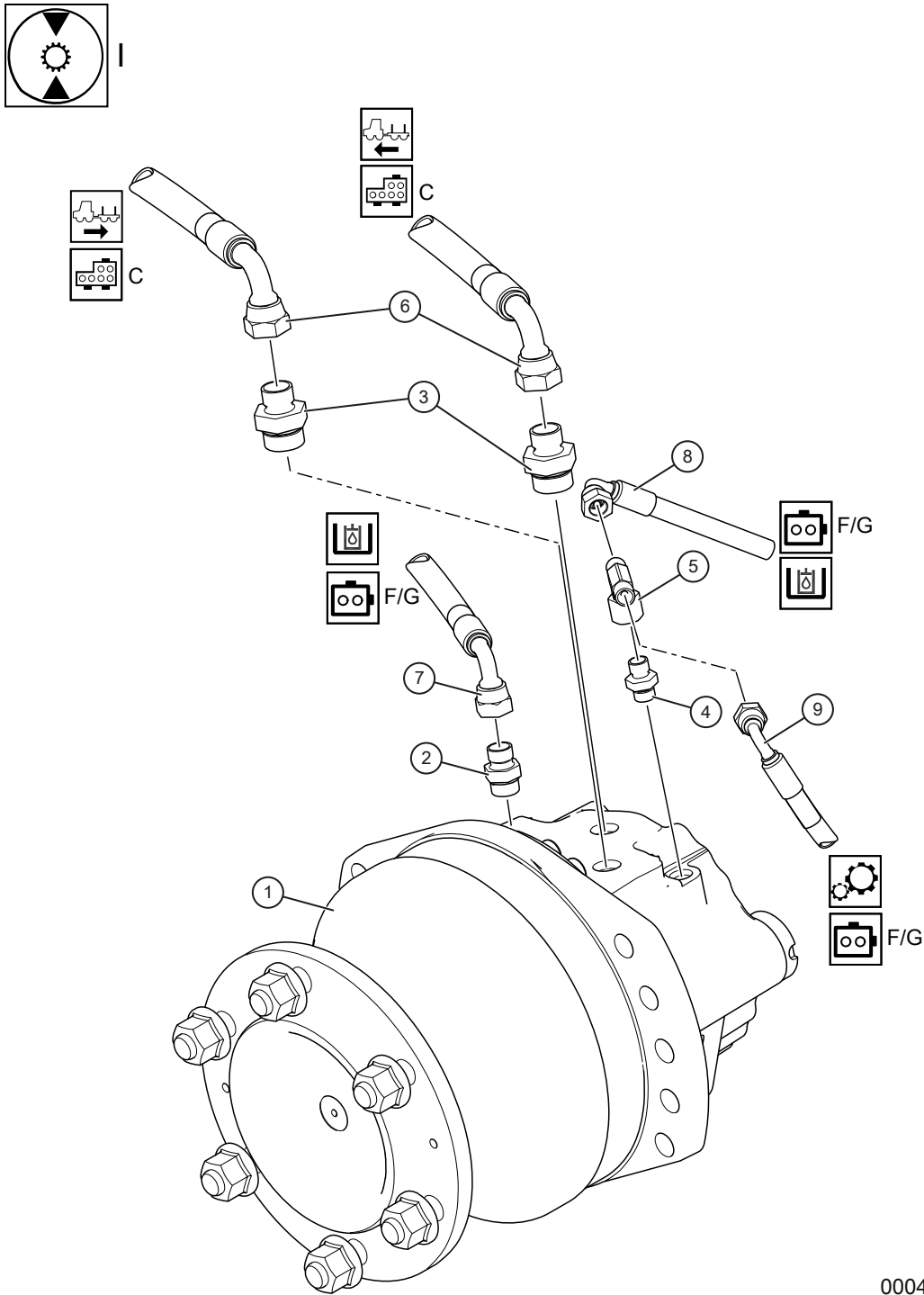


000452

In-wheel motor, wheel w/o brake (A)

Pos	Art.	Qty.	Description	Remarks
1	KT-790917	1 pc	Hydraulic motor	BB 1018 ccm w/o brake
2	KT-70150612	1 pc	Adapter	3/8"UF-SAE0 3/4"-16UF. Tank
3	KT-70150817	2 pcs	Adapter	1/2"UF-SAE0 1 1/16"UF. Drive
4	KT-75035009	1 pc	Hexagonal plug	SAEO 9/16"-18
5	KT-70150407	1 pc	Adapter	1/4"UF-7/16"-20UF. Gear
6	TS-128110	1 pc	Hydraulic hose	3/8" L=1100 mm Straight-90°. Overflow
7	TS-138110	1 pc	Hydraulic hose	1/2" L=1100 mm spec. Drive
8	TS-128110	1 pc	Hydraulic hose	3/8" L=1100 mm spec. Overflow
9	TS-133190	1 pc	Hydraulic hose	1/2" L=1900 mm Straight-45°. Drive front bogie forwarder
	TS-138130	1 pc	Hydraulic hose	1/2" L=1300 mm spec. Drive rear bogie forwarder

In-wheel motor, wheel w/o brake (I) - welded bogie

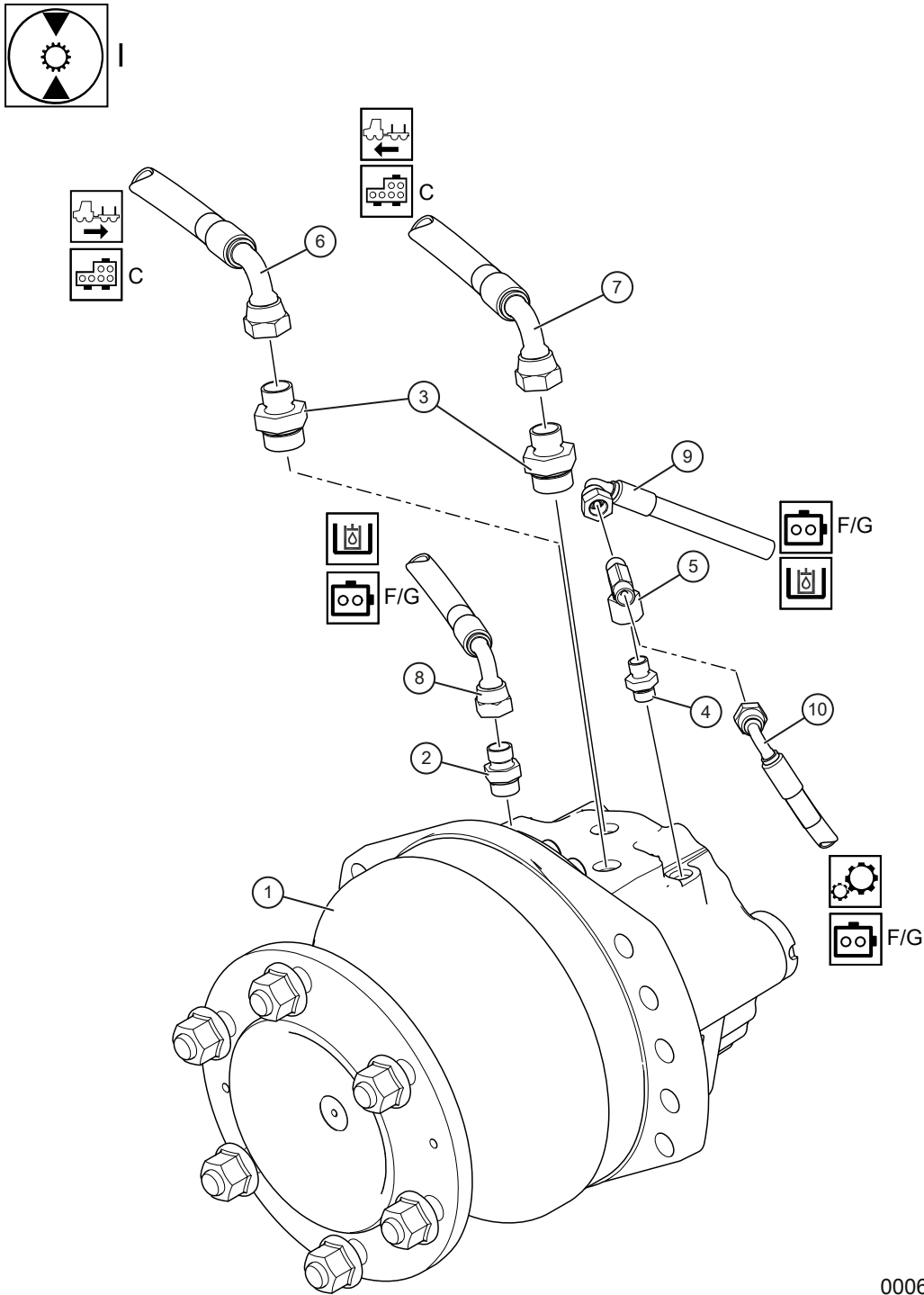


000420

In-wheel motor, wheel w/o brake (I) - welded bogie

Pos	Art.	Qty.	Description	Remarks
1	KT-791225	1 pc	In-wheel motor	Poc 1248cc w/o brake
2	KT-70150612	1 pc	Adapter	3/8"UF-SAE0 3/4"-16UF. Tank
3	KT-70150817	2 pcs	Adapter	1/2"UF-SAE0 1 1/16"UF. Drive
4	KT-70150409	1 pc	Adapter	1/4"UF-9/16"-18UF. Gear
5	KT-74030404	1 pc	T-adapter	1/4"UF/UF/IR. Gear
6	TS-138040	2 pcs	Hydraulic hose	1/2" L=400 mm spec. Drive front bogie
	TS-132173	2 pcs	Hydraulic hose	1/2" L=1730 mm Straight-90°. Drive rear bogie right
	TS-132170	2 pcs	Hydraulic hose	1/2" L=1730 mm Straight-90°. Drive rear bogie left
7	TS-122040	1 pc	Hydraulic hose	3/8" L=400 mm Straight-90°. Tank
8	TS-112190	1 pc	Hydraulic hose	1/4" L=1900 mm Straight-90°. Gear front bogie
	TS-112130	1 pc	Hydraulic hose	1/4" L=1300 mm Straight-90°. Gear rear bogie
9	TS-112180	1 pc	Hydraulic hose	1/4" L=1800 mm Straight-90°. Gear front bogie
	TS-112145	1 pc	Hydraulic hose	1/4" L=1450 mm Straight-90°. Gear rear bogie

In-wheel motor, wheel without brake (I) - cast bogie

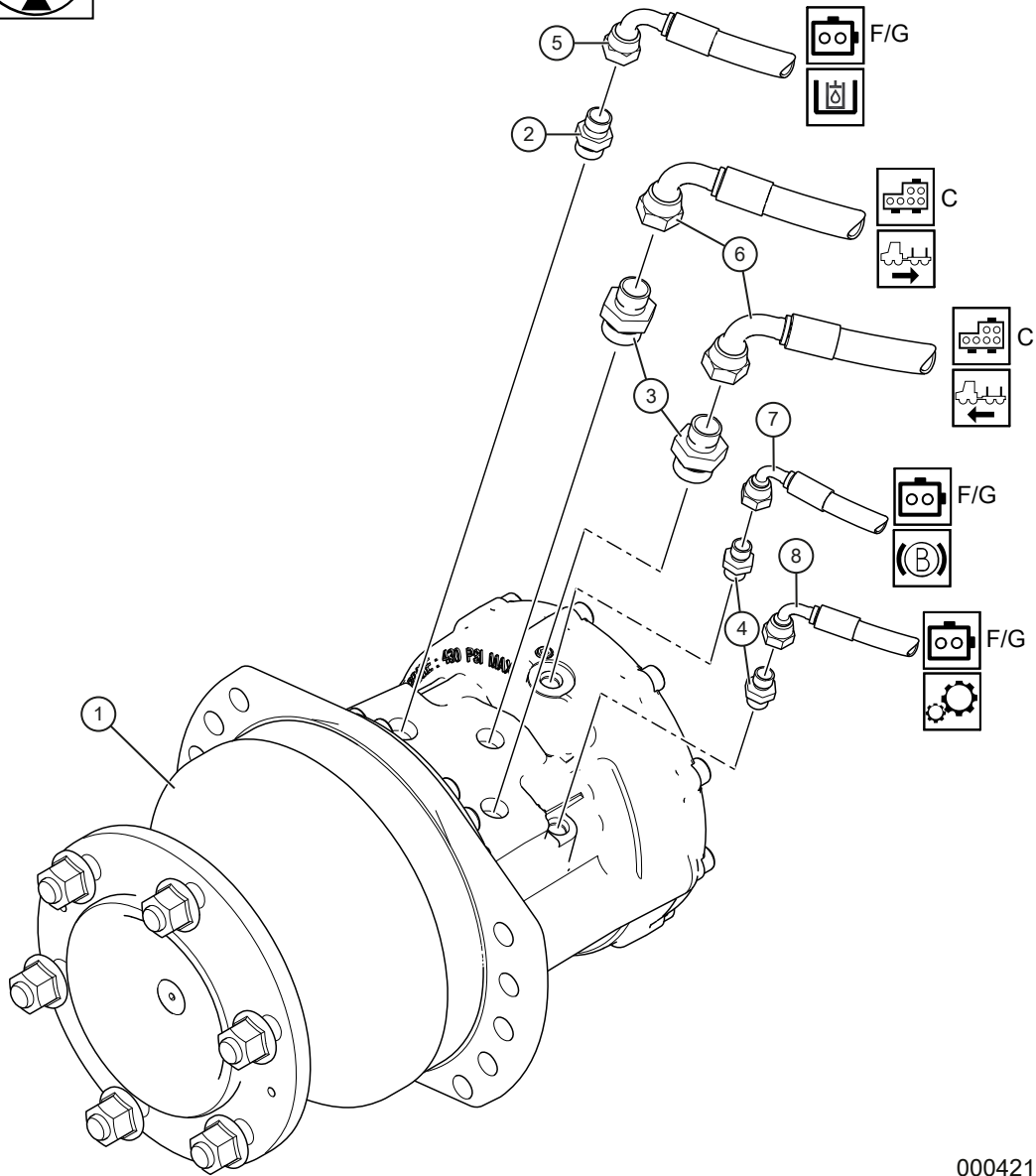
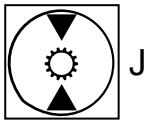


000640

In-wheel motor, wheel without brake (I) - cast bogie

Pos	Art.	Qty.	Description	Remarks
1	KT-791225	1 pc	In-wheel motor	Poc 1248cc w/o brake
2	KT-70150612	1 pc	Adapter	3/8"UF-SAE0 3/4"-16UF. Tank
3	KT-70150817	2 pcs	Adapter	1/2"UF-SAE0 1 1/16"UF. Drive
4	KT-70150409	1 pc	Adapter	1/4"UF-9/16"-18UF. Drive
5	KT-74030404	1 pc	T-adapter	1/4"UF/UF/IR. Gear
6	TS-132210	1 pc	Hydraulic hose	1/2" L=2100 mm Straight-90°. Drive A - Right front
	TS-132185	1 pc	Hydraulic hose	1/2" L=1850 mm Straight-90°. Drive A - Left front
	TS-132170	1 pc	Hydraulic hose	1/2" L=1700 mm Straight-90°. Drive A - Right rear
	TS-132163	1 pc	Hydraulic hose	1/2" L=1630 mm Straight-90°. Drive A - Left rear
7	TS-132220	1 pc	Hydraulic hose	1/2" L=2200 mm Straight-90°. Drive B - Right front
	TS-132250	1 pc	Hydraulic hose	1/2" L=2500 mm Straight-90°. Drive B - Left front
	TS-132174	1 pc	Hydraulic hose	1/2" L=1740 mm Straight-90°. Drive B - Right rear
	TS-132173	1 pc	Hydraulic hose	1/2" L=1730 mm Straight-90°. Drive B - Left rear
8	TS-122040	1 pc	Hydraulic hose	3/8" L=420 mm Straight-90°. Tank
9	TS-112110	1 pc	Hydraulic hose	1/4" L=1100 mm Straight-90°. Gear - Right/Left front
	TS-112100	1 pc	Hydraulic hose	1/4" L=1000 mm Straight-90°. Gear - Right/Left rear
10	TS-112205	1 pc	Hydraulic hose	1/4" L=2050 mm Straight-90°. Gear - Right front
	TS-111212	1 pc	Hydraulic hose	1/4" L=2120 mm Straight-Straight. Gear - Left front
	TS-112170	1 pc	Hydraulic hose	1/4" L=1700 mm Straight-90°. Gear - Right rear
	TS-111170	1 pc	Hydraulic hose	1/4" L=17000 mm Straight-Straight. Gear - Left rear

In-wheel motor, wheel with brake (J) - welded bogie

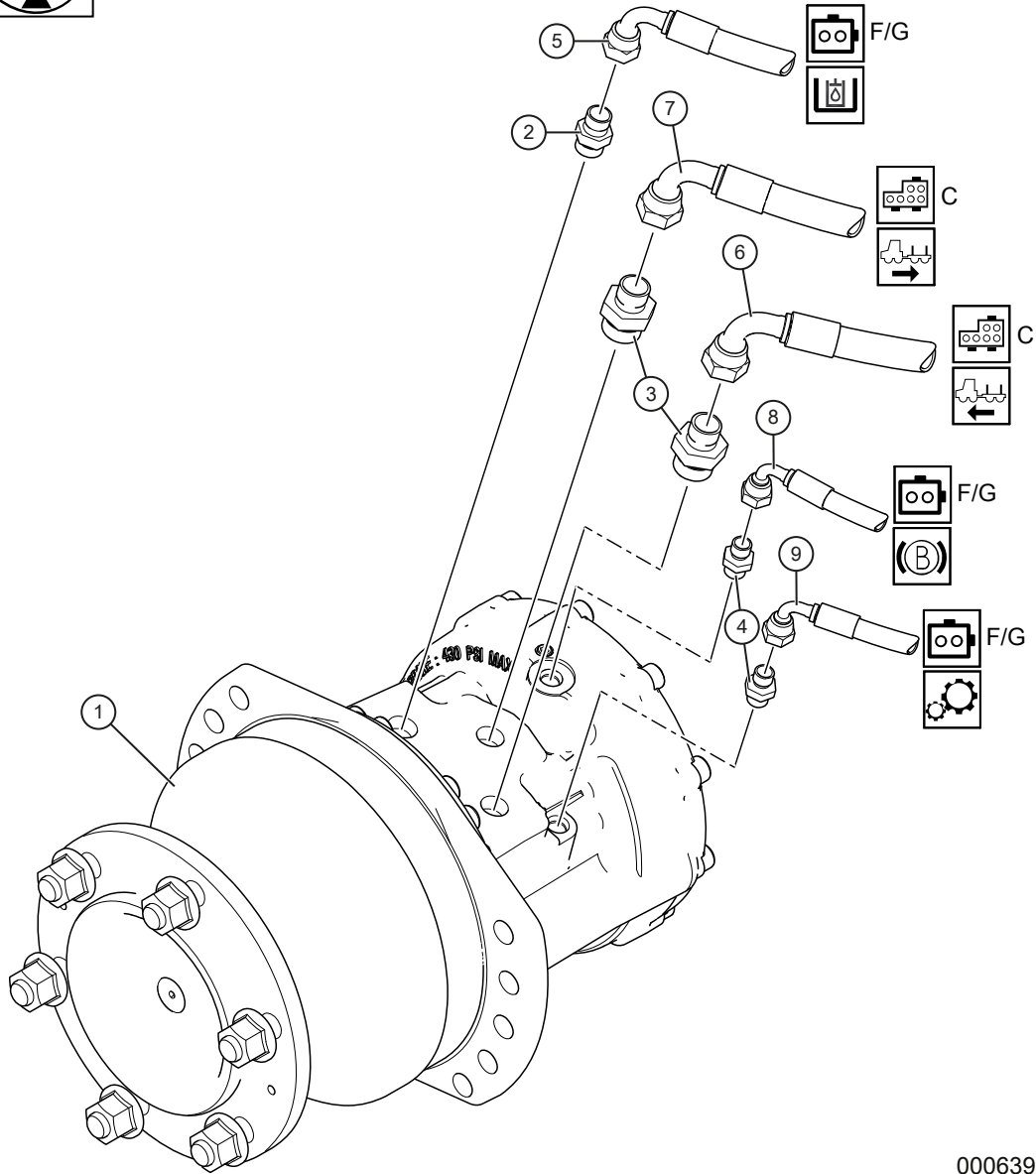
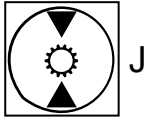


000421

In-wheel motor, wheel with brake (J) - welded bogie

Pos	Art.	Qty.	Description	Remarks
1	KT-791226	1 pc	In-wheel motor	Poc 1248cc with parking brake
2	KT-70150612	1 pc	Adapter	3/8"UF-SAE0 3/4"-16UF. Tank
3	KT-70150817	2 pcs	Adapter	1/2"UF-SAE0 1 1/16"UF. Drive
4	KT-70150409	2 pcs	Adapter	1/4"UF-9/16"-18UF. Brake/ Gear
5	TS-122130	1 pc	Hydraulic hose	3/8" L=1300 mm Straight-90°. Tank front bogie
	TS-127130	1 pc	Hydraulic hose	3/8" L=1300 mm 90°-90°. Tank rear bogie
6	TS-138040	2 pcs	Hydraulic hose	1/2" L=400 mm spec. Drive front bogie
	TS-132137	1 pc	Hydraulic hose	1/2" L=1370 mm Straight-90°. Drive A - Right rear
	TS-132123	1 pc	Hydraulic hose	1/2" L=1230 mm Straight-90°. Drive A - Left rear
	TS-132123	1 pc	Hydraulic hose	1/2" L=1230 mm Straight-90°. Drive B - Right rear
	TS-132120	1 pc	Hydraulic hose	1/2" L=120 mm Straight-90°. Drive B - Left rear
7	TS-112150	1 pc	Hydraulic hose	1/4" L=1500 mm Straight-90°. Brake - Right front
	TS-112150	1 pc	Hydraulic hose	1/4" L=1500 mm Straight-90°. Brake - Left front
	TS-112130	1 pc	Hydraulic hose	1/4" L=1300 mm Straight-90°. Brake - Right rear
	TS-112130	1 pc	Hydraulic hose	1/4" L=1300 mm Straight-90°. Brake - Left rear
8	TS-112190	1 pc	Hydraulic hose	1/4" L=1900 mm Straight-90°. Gear front bogie
	TS-112145	1 pc	Hydraulic hose	1/4" L=1450 mm Straight-90°. Gear rear bogie

In-wheel motor, wheel with brake (J) - cast bogie

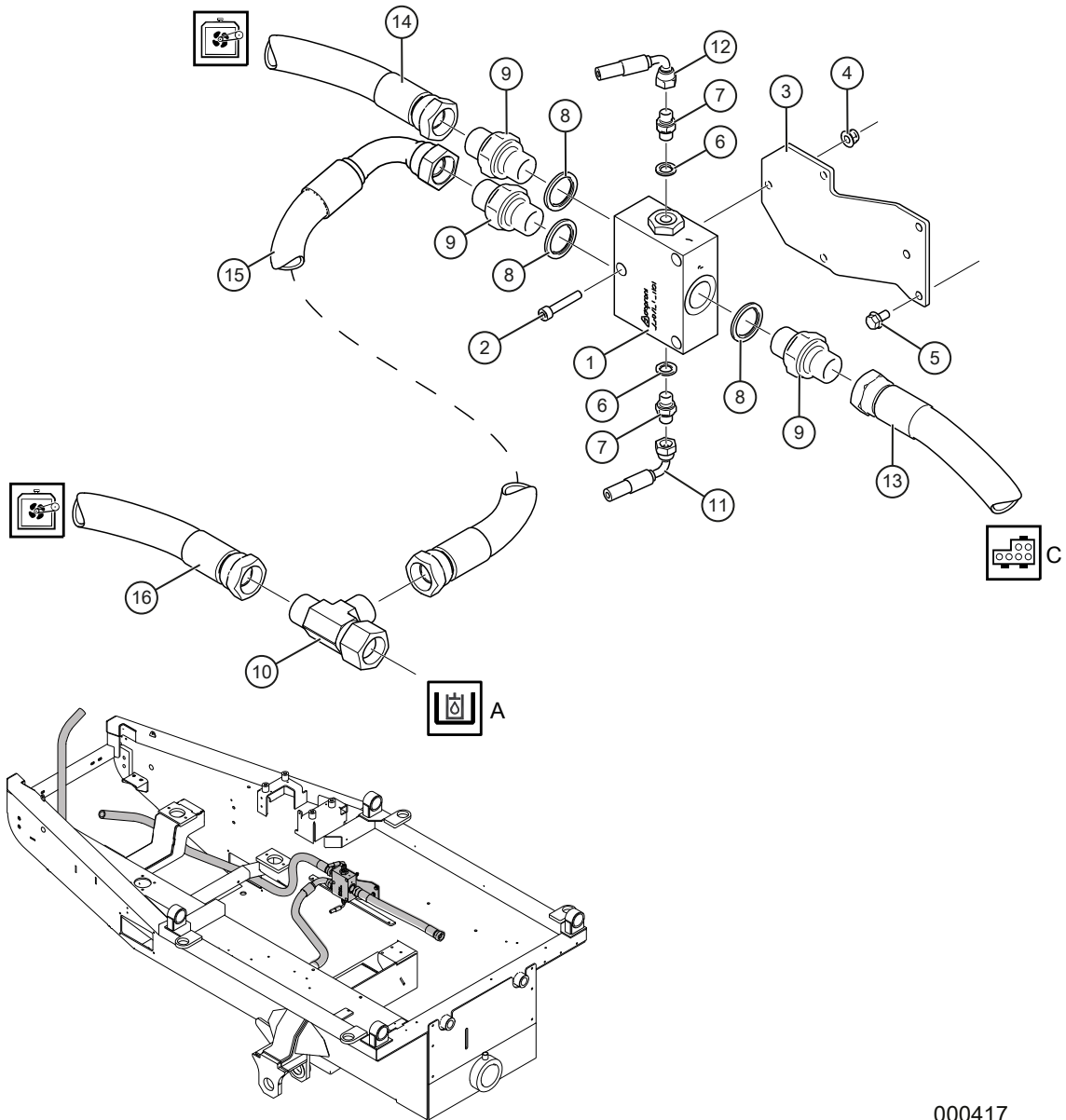
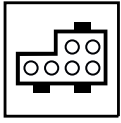


000639

In-wheel motor, wheel with brake (J) - cast bogie

Pos	Art.	Qty.	Description	Remarks
1	KT-791226	1 pc	In-wheel motor	Poc 1248cc with parking brake
2	KT-70150612	1 pc	Adapter	3/8"UF-SAE0 3/4"-16UF. Tank
3	KT-70150817	2 pcs	Adapter	1/2"UF-SAE0 1 1/16"UF. Drive
4	KT-70150409	2 pcs	Adapter	1/4"UF-9/16"-18UF. Brake/ Gear
5	TS-127100	1 pc	Hydraulic hose	3/8" L=1300 mm Straight-90°. Tank right/left front
	TS-121112	1 pc	Hydraulic hose	3/8" L=1120 mm 90°-90°. Tank right rear
	TS-121120	1 pc	Hydraulic hose	3/8" L=1200 mm 90°-90°. Tank left rear
6	TS-132205	1 pc	Hydraulic hose	1/2" L=2050 mm Straight-90°. Drive A - Right front
	TS-132105	1 pc	Hydraulic hose	1/2" L=1050 mm Straight-90°. Drive A - Left front
	TS-132125	1 pc	Hydraulic hose	1/2" L=950 mm Straight-90°. Drive A - Right rear
	TS-132135	1 pc	Hydraulic hose	1/2" L=1050 mm Straight-90°. Drive A - Left rear
7	TS-132220	1 pc	Hydraulic hose	1/2" L=2200 Straight-90°. Drive B - Right front
	TS-132155	1 pc	Hydraulic hose	1/2" L=1550 Straight-90°. Drive B - Left front
	TS-132128	1 pc	Hydraulic hose	1/2" L=1280 Straight - 90°. Drive B - Right rear
	TS-132128	1 pc	Hydraulic hose	1/2" L=1280 Straight - 90°. Drive B - Left rear
8	TS-112130	1 pc	Hydraulic hose	1/4" L=1300 mm Straight-90°. Brake - Right front
	TS-112120	1 pc	Hydraulic hose	1/4" L=1200 mm Straight-90°. Brake - Left front
	TS-112075	1 pc	Hydraulic hose	1/4" L=750 mm Straight-90°. Brake - Right rear
	TS-112075	1 pc	Hydraulic hose	1/4" L=750 mm Straight-90°. Brake - Left rear
9	TS-112110	1 pc	Hydraulic hose	1/4" L=1100 mm Straight-90°. Gear - Right/Left front
	TS-112100	1 pc	Hydraulic hose	1/4" L=1000 mm Straight-90°. Gear - Right/Left rear

Thermostat block (K)

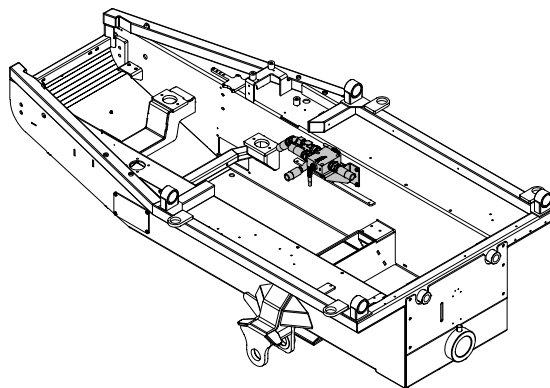
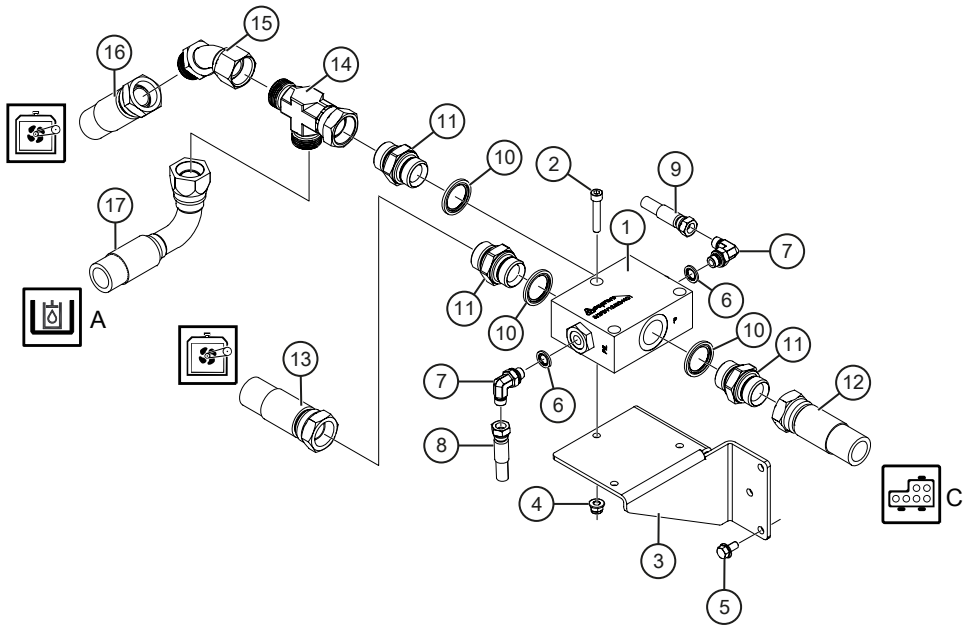
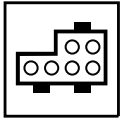


000417

Thermostat block (K)

Pos	Art.	Qty.	Description	Remarks
1	KT-791338	1 pc	Thermostat block	Machine no. T23-006. Not T21-001, T22-001, T22-006 and T22-007.
2	K6066-01	3 pcs	Hex screw	MC6S 8x45
3	TE-702907	1 pc	Bracket	
4	09-265605	3 pcs	Flange lock nut	LM6MF 8 FZB
5	09-266793	3 pcs	Flange screw	M6SF 8x16 8.8 FZB
6	KT-56010104	2 pcs	Rubber steel washer	1/4"
7	KT-70020404	2 pcs	Adapter	1/4"UF-1/4"UF
8	KT-56010116	3 pcs	Rubber steel washer	1"
9	KT-70021616	3 pcs	Adapter	1"UF-1"UF
10	KT-74041616	1 pc	T-adapter	1"IR/UF/UF
11	TS-112055	1 pc	Hydraulic hose	1/4" L=550 Straight-90°
12	TS-112085	1 pc	Hydraulic hose	1/4" L=880 Straight-90°
13	TS-171045	1 pc	Hydraulic hose	1" L=450 Straight-Straight. For drive valve T
14	TS-172180	1 pc	Hydraulic hose	1"L=1800 Straight-90°. For cooler
15	TS-171043	1 pc	Hydraulic hose	1" L=430 Straight-Straight. For thermal bypass valve
16	TS-172235	1 pc	Hydraulic hose	1" L=2350 Straight-90°. For cooler

Thermostat block (K)

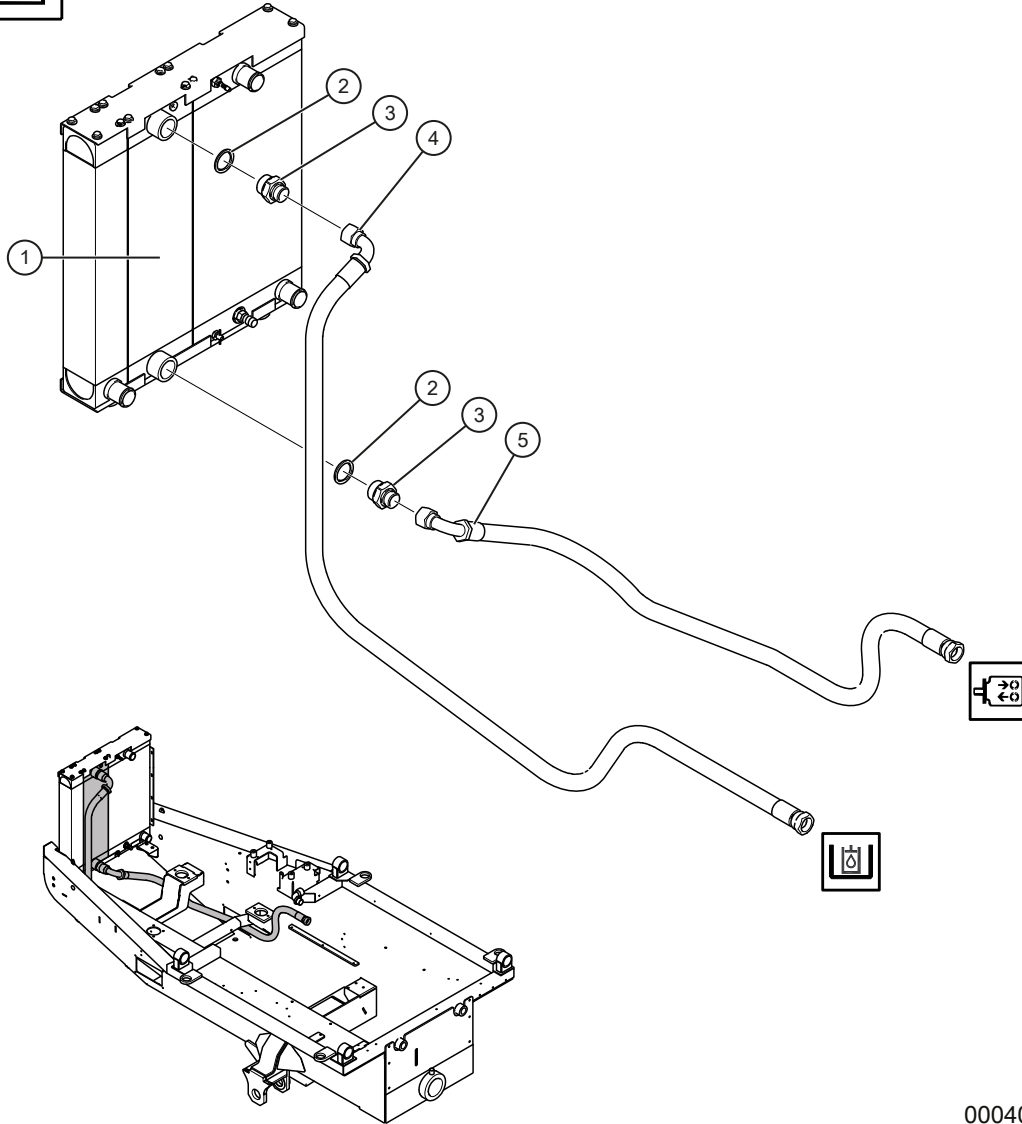


000594

Thermostat block (K)

Pos	Art.	Qty.	Description	Remarks
1	KT-791378	1 pc	Thermostat block	From machine T23-007. Also machines T21-001, T22-001, T22-006 and T22-007.
2	K6066-01	3 pcs	Hex screw	MC6S 8x45
3	TE-703210	1 pc	Bracket	
4	09-265605	3 pcs	Flange lock nut	LM6MF 8 FZB
5	09-266793	3 pcs	Flange screw	M6SF 8x16 8.8 FZB
6	KT-56010104	2 pcs	Rubber steel washer	1/4"
7	KT-72040404	2 pcs	Adjustable angle adapter	1/4"UF-1/4"UF STB
8	TS-111055-2	1 pc	Hydraulic hose	1/4"L=550 Straight-Straight
9	TS-112085	1 pc	Hydraulic hose	1/4" L=850 Straight-90°
10	KT-56010116	3 pcs	Rubber steel washer	1"
11	KT-70021616	3 pcs	Adapter	1"UF-1"UF
12	TS-171045	1 pc	Hydraulic hose	1" L=450 Straight-Straight. For drive valve T
13	TS-172180	1 pc	Hydraulic hose	1"L=1800 Straight-90°. For cooler
14	KT-74041616	1 pc	T-adapter	1"IR-1"UF-1"UF
15	KT-73051616	1 pc	Angle adapter	1"IR-1"UF 45°
16	TS-172235	1 pc	Hydraulic hose	1" L=2350 Straight-90°. For cooler
17	TS-172070	1 pc	Hydraulic hose	1" L=700 Straight-Straight. For hydraulic tank

Hydraulic oil cooler

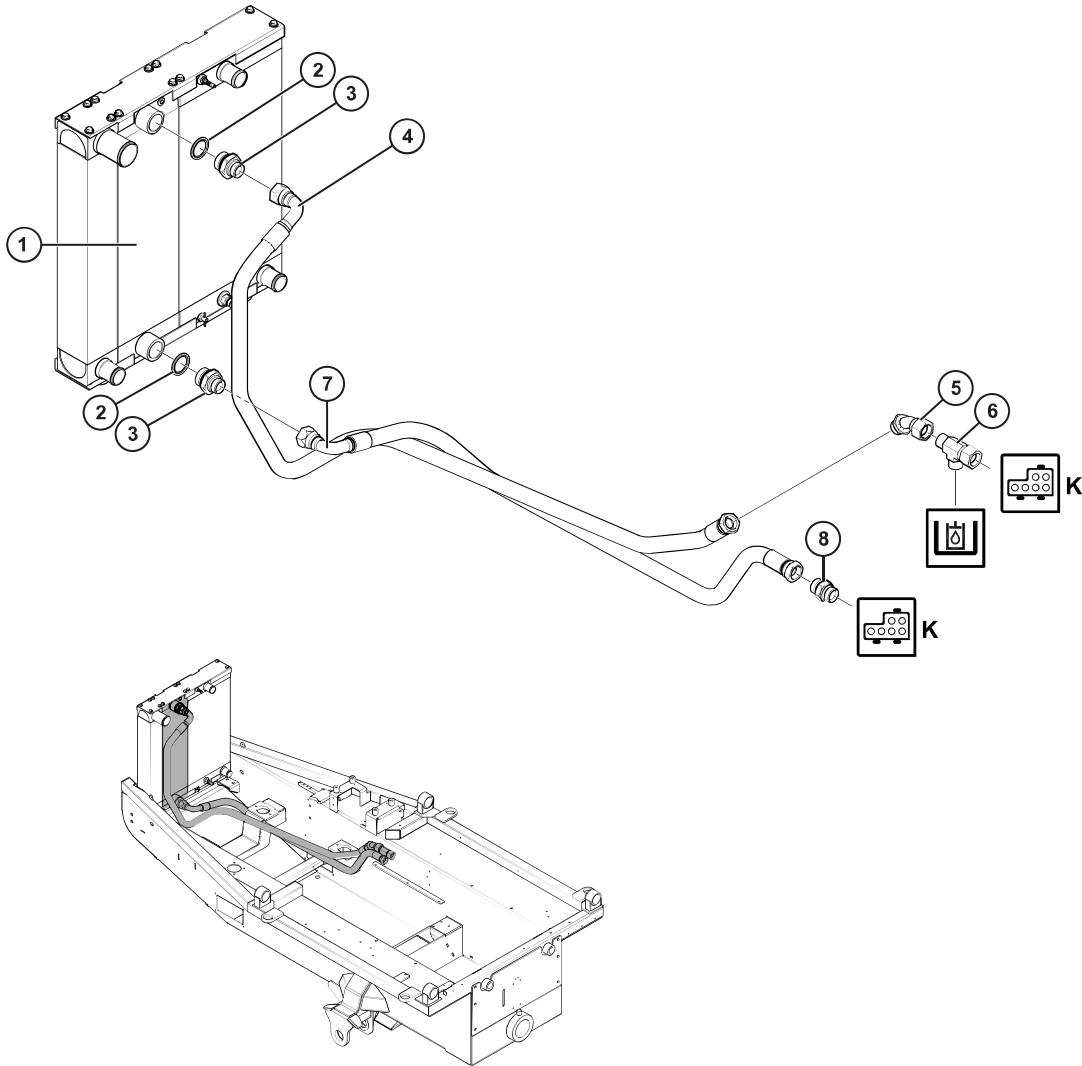
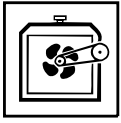


000405

Hydraulic oil cooler

Pos	Art.	Qty.	Description	Remarks
			Hydraulic oil cooler	Up to machine T23-006.
1	KT-765001-2	1 pc	Cooling element	Oil
2	KT-56010120	2 pcs	Rubber steel washer	1 1/4"
3	KT-70021620	2 pcs	Adapter	1"UF-1 1/4"UF
4	TS-172235	1 pc	Hydraulic hose	1" L=2350 mm Straight-90°. For tank
5	TS-172180	1 pc	Hydraulic hose	1" L=1800 mm Straight-90°. For thermal bypass

Hydraulic oil cooler

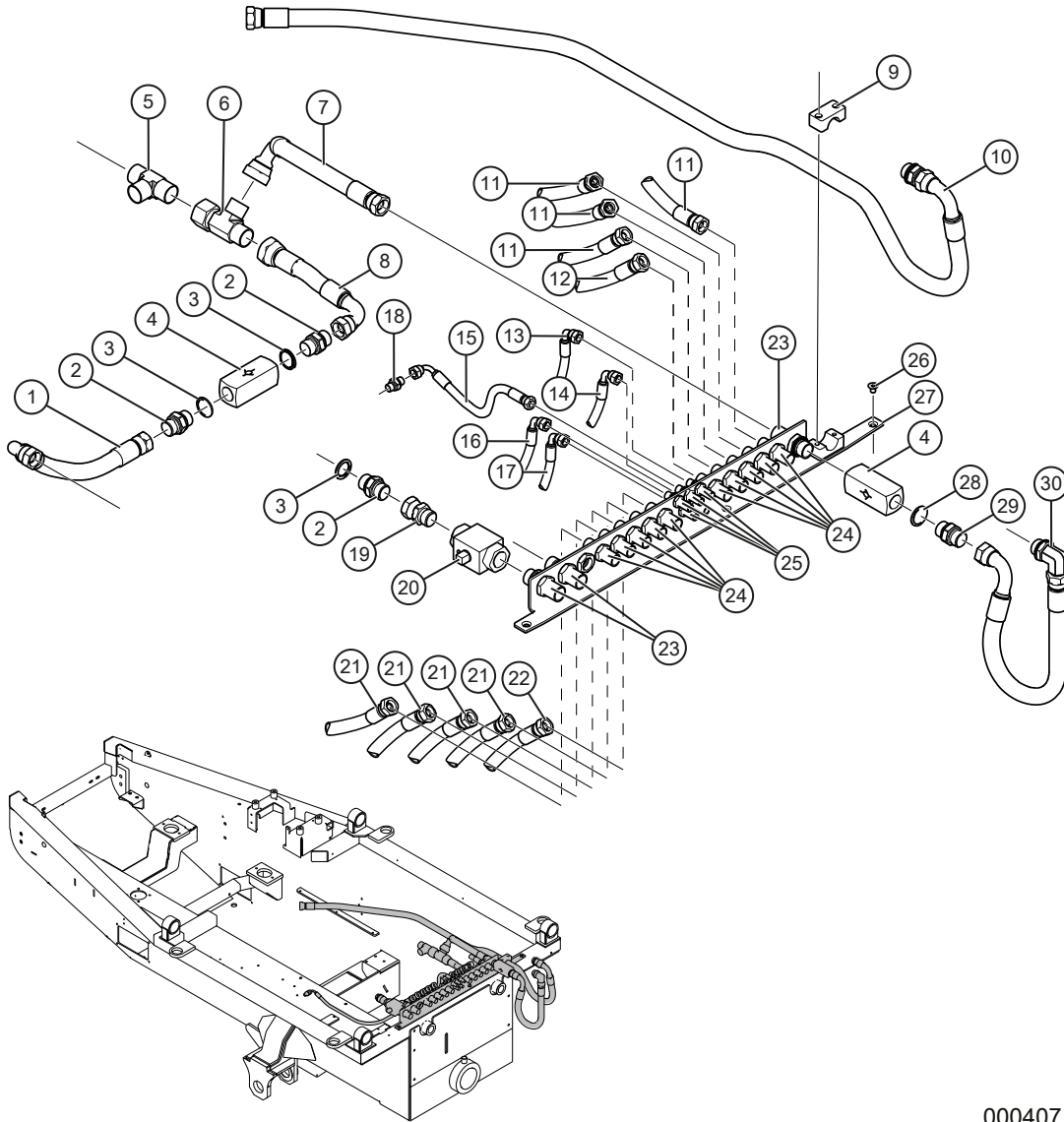


000637

Hydraulic oil cooler

Pos	Art.	Qty.	Description	Remarks
			Hydraulic oil cooler	From machine T23-007.
1	KT-765001-2	1 pc	Cooling element	Oil
2	KT-56010120	2 pcs	Rubber steel washer	1 1/4"
3	KT-70021620	2 pcs	Adapter	1"UF-1 1/4"UF
4	TS-172235	1 pc	Hydraulic hose	1" L=2350 mm Straight-90°
5	KT-73051616	1 pc	Angle adapter	1"UF-1"UF 45°
6	KT-74041616	1 pc	T-adapter	1"IR-1"UF-1"UF
7	TS-172180	1 pc	Hydraulic hose	1" L=1800 mm Straight-90°
8	KT-70021616	1 pc	Adapter	1"UF-1"UF

Bulkhead connector

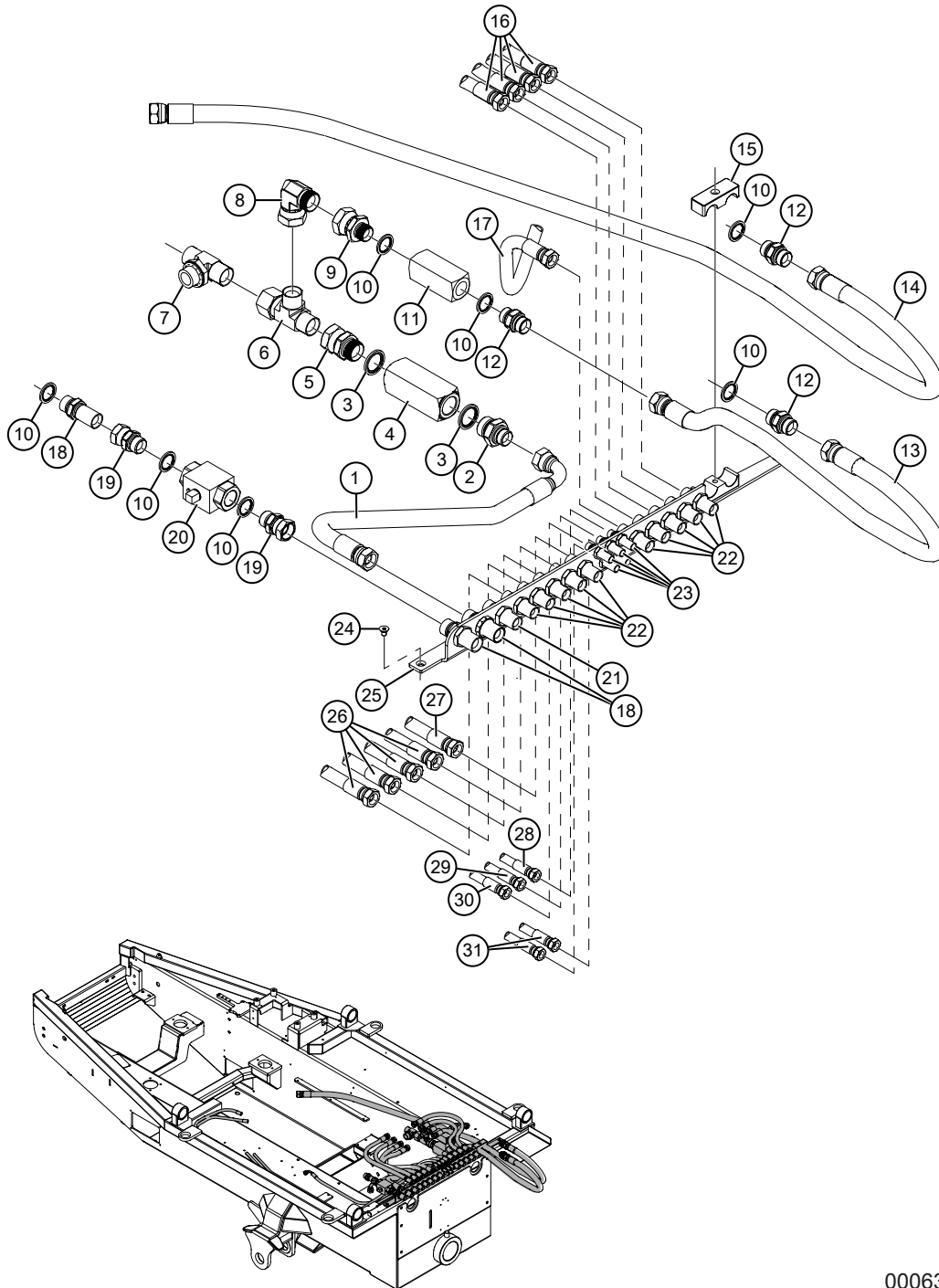


000407

Bulkhead connector

Pos	Art.	Qty.	Description	Remarks
1	TS-152021	1 pc	Hydraulic hose	3/4" L=210 mm Straight-90°
2	KT-70021212	3 pcs	Adapter	3/4"UF-3/4UF"
3	KT-56010112	3 pcs	Rubber steel washer	3/4"
4	KT-790913	2 pcs	Non-return valve	3/4" 4.5 bar
5	KT-74011616	1 pc	T-adapter	1" UF/UF/UF
6	KT-74041616	1 pc	T-adapter	1"UF/IR/UF
7	TS-158023	1 pc	Hydraulic hose	3/4" L=200 mm spec.
8	TS-158013	1 pc	Hydraulic hose	3/4" L=130 mm spec.
9	KT-53900528	2 pcs	Pipe clamp	28 mm
10	TS-162180	1 pc	Hydraulic hose	3/4" L=1800 mm Straight-90°
11	TS-132033	4 pcs	Hydraulic hose	1/2" L=330 mm Straight-90°
12	TS-132058	1 pc	Hydraulic hose	1/2" L=580 mm Straight-90°
13	TS-112220	1 pc	Hydraulic hose	1/4" L=2200 mm Straight-90°
14	TS-113140	1 pc	Hydraulic hose	1/4" L=1400 mm Straight-45°
15	TS-112095	1 pc	Hydraulic hose	1/4" L=950 mm Straight-90°
16	TS-112207	1 pc	Hydraulic hose	1/4" L=2070 mm Straight-90°
17	TS-113140	1 pc	Hydraulic hose	1/4" L=1400 mm Straight-45°
18	KT-70020404	1 pc	Adapter	1/4"UF-1/4"UF
19	KT-70081212	1 pc	Adapter	3/4"UF-3/4"IR
20	KT-80311212	1 pc	Ball valve	3/4"
21	TS-133047	4 pcs	Hydraulic hose	1/2" L=470 mm Straight-45°
22	TS-132029	1 pc	Hydraulic hose	1/2" L=290 mm Straight-90°
23	KT-70901212	3 pcs	Bulkhead connector	3/4"UF-3/4"UF
24	KT-70900808	10 pcs	Bulkhead connector	1/2"UF-1/2"UF
25	KT-70900404	5 pcs	Bulkhead connector	1/4"UF-1/4"UF
26	K6085-064	3 pcs	Screw	MF6S 8x12 10.9 FZB
27	TE-702153	1 pc	Sheet metal bulkheads	
28	KT-56010112	1 pc	Rubber steel washer	3/4"
29	KT-70021212	1 pc	Adapter	3/4"UF-3/4"UF
30	TS-152060	1 pc	Hydraulic hose	3/4" L=600 mm Straight-90°

Bulkhead connector

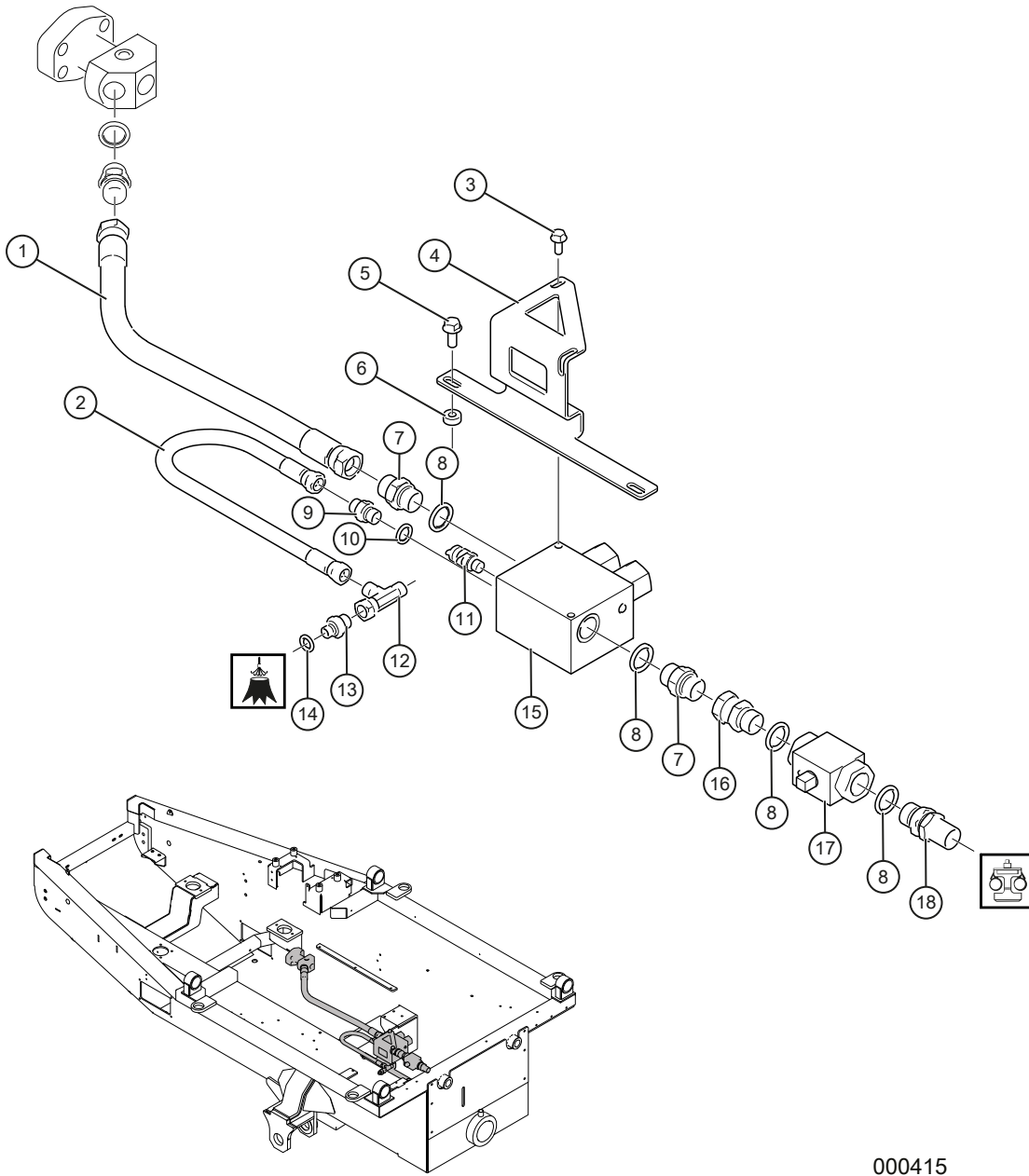


000634

Bulkhead connector

Pos	Art.	Qty.	Description	Remarks
1	TS-152065	1 pc	Hydraulic hose	3/4" L=650 mm Straight-90°
2	KT-70021216	1 pc	Adapter	3/4"UF-1"UF
3	KT-56010116	2 pcs	Rubber steel washer	1"
4	KT-790692	1 pc	Non-return valve	1" 0.35 bar
5	KT-70081616	1 pc	Adapter	1"UF-1"IR
6	KT-74041616	1 pc	T-adapter	1"IR/UF/UF
7	KT-74131616	1 pc	Adjustable T-adapter	1"UF/UF/UF Stb
8	KT-72031616	1 pc	Angle adapter	1"UF-1"IR 90°
9	KT-70081216	1 pc	Adapter	3/4"UF-1"IR
10	KT-56010112	7 pcs	Rubber steel washer	3/4"
11	KT-790913	1 pc	Non-return valve	3/4" 4.5 bar
12	KT-70021212	3 pcs	Adapter	3/4"UF-3/4"UF
13	TS-151095	1 pc	Hydraulic hose	3/4" L=950 Straight-Straight
14	TS-151200-4	1 pc	Hydraulic hose	3/4" L=2000 Straight-Straight
15	KT-53904426	2 pcs	Double clamp	26 mm
16	TS-131045-2	4 pcs	Hydraulic hose	1/2" L=450 Straight-Straight
17	TS-132066	1 pc	Hydraulic hose	1/2" L=660 Straight-90°
18	KT-70901212	3 pcs	Bulkhead connector	3/4"UF-3/4"UF
19	KT-70081212	2 pcs	Adapter	3/4"UF-3/4"IR
20	KT-80311212	1 pc	Ball valve	3/4"
21	KT-70901010	1 pc	Bulkhead connector	5/8"UF-5/8"UF
22	KT-70900808	10 pcs	Bulkhead connector	1/2"UF-1/2"UF
23	KT-70900404	5 pcs	Bulkhead connector	1/4"UF-1/4"UF
24	K6085-064	3 pcs	Screw	MF6S 8x12 10.9 FZB
25	TE-702153	1 pc	Sheet metal bulkheads	
26	TS-131050-2	4 pcs	Hydraulic hose	1/2" L=500 Straight-Straight
27	TS-132040	1 pc	Hydraulic hose	1/2" L=400 Straight-90°
28	TS-112220	1 pc	Hydraulic hose	1/4" L=2200 Straight-90°
29	TS-112095	1 pc	Hydraulic hose	1/4"L=950 Straight-90°
30	TS-111220	1 pc	Hydraulic hose	1/4" L=2200 Straight-Straight
31	TS-113160-2	2 pcs	Hydraulic hose	1/4" L=1600 Straight-45°

Reducing piece

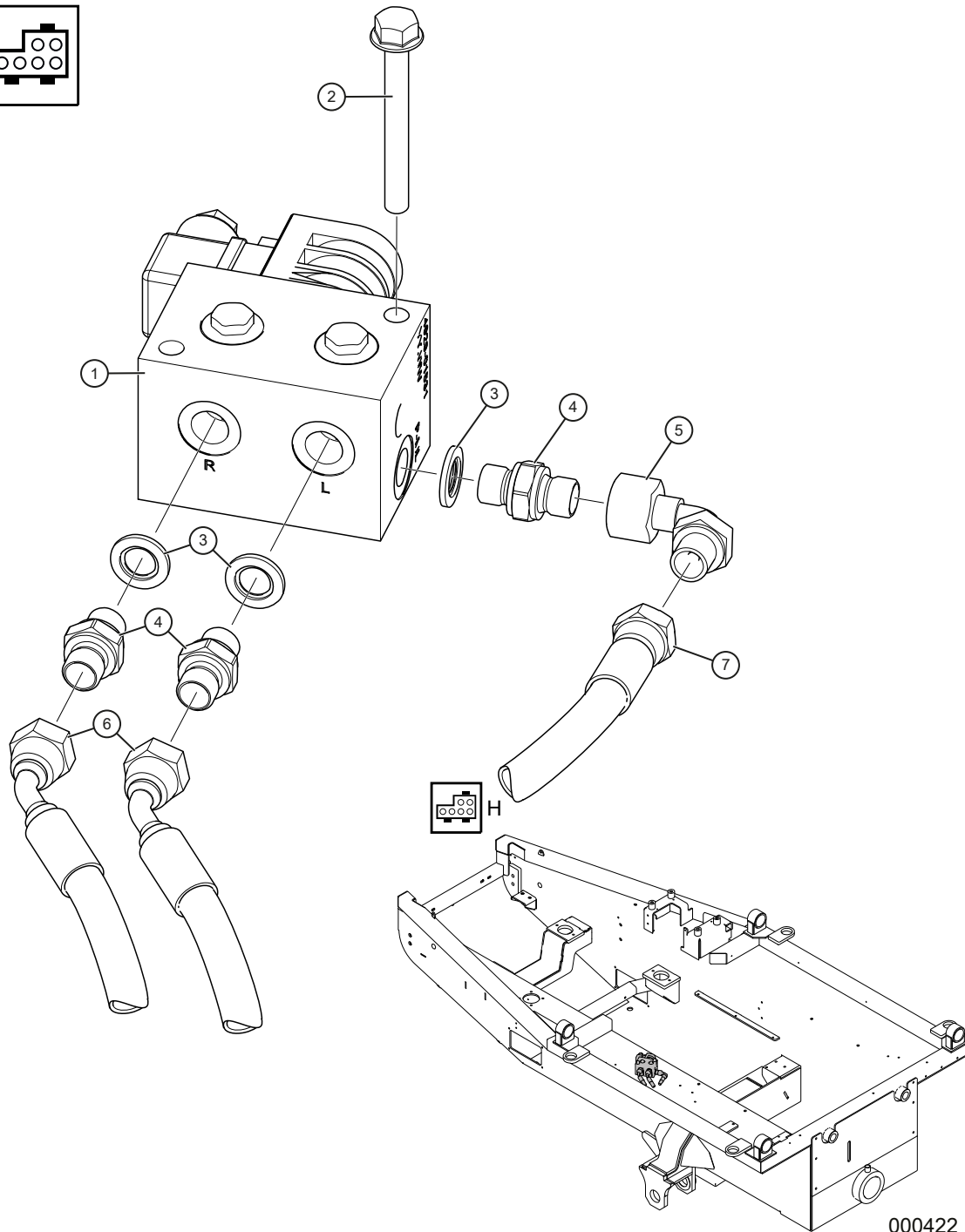
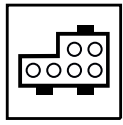


000415

Reducing piece

Pos	Art.	Qty.	Description	Remarks
1	TS-161075	1 pc	Hydraulic hose	3/4" L=800 mm Straight-Straight
2	TS-123050	1 pc	Hydraulic hose	3/8" L=500 mm Straight-45°
3	09-266036	2 pcs	Flange screw	M6SFT 8x20 8.8 FZB
4	TE-702747	1 pc	Support for reducing piece	
5	09-267027	2 pcs	Flange screw	M6SF 10x25 8.8 FZB
6	TE-701235	2 pcs	Spacer engine hood	
7	KT-70021212	2 pcs	Adapter	3/4"UF-3/4"UF
8	KT-56010112	4 pcs	Rubber steel washer	3/4"
9	KT-70020606	1 pc	Adapter	3/8"UF-3/8"UF
10	KT-56010106	1 pc	Rubber steel washer	3/8"
11	KT-83010004	1 pc	Measuring nipple	M16x2-1/4"UF
12	KT-74040606	1 pc	T-adapter	3/8"UF/IR/UF
13	KT-70020406	1 pc	Adapter	1/4"UF-3/8"UF
14	KT-56010104	1 pc	Rubber steel washer	1/4"
15	KT-791202	1 pc	Pressure limiting valve	
-	KT-791202-1	1 pc	Valve block	
-	KT-791202-2	2 pcs	Logic valve	
-	KT-791202-3	3 pcs	Throttle plug	M6x0.6
-	KT-791202-4	1 pc	Reducing valve	
-	KT-790559	1 pc	Measuring nipple	R 1/4"
16	KT-70081212	1 pc	Adapter	3/4"UF-3/4"IR
17	KT-80311212	1 pc	Ball valve	3/4"
18	KT-70901212	1 pc	Bulkhead connector	3/4"UF-3/4"UF

Valve block, articulation lock

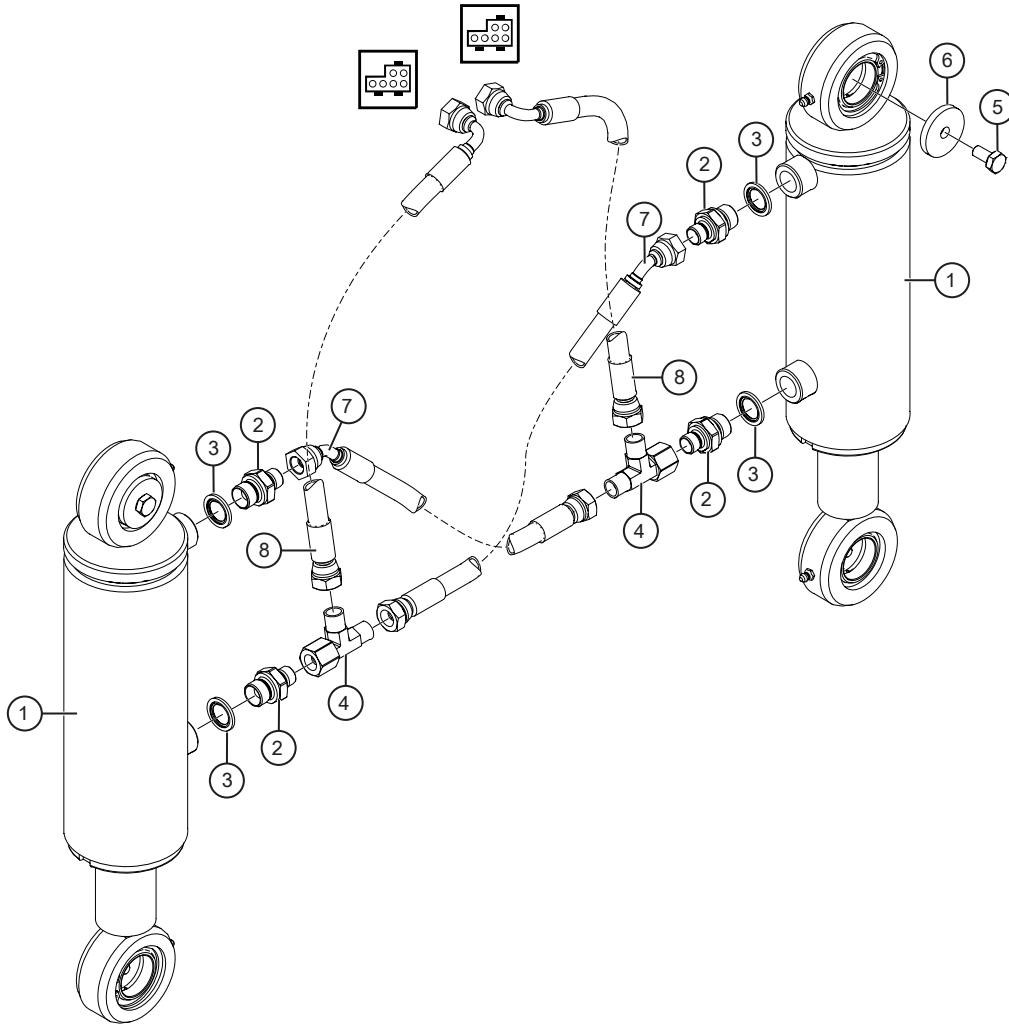


000422

Valve block, articulation lock

Pos	Art.	Qty.	Description	Remarks
1	KT-791217	1 pc	Articulation lock block	
*	KT-791217-1	1 pc	Directional control valve	2/2
2	09-267713	2 pcs	Flange screw	M6SF 8x70 8.8 FZB
3	KT-56010104	3 pcs	Rubber steel washer	1/4"
4	KT-70020404	3 pcs	Adapter	1/4"UF-1/4"UF
5	KT-72050404	1 pc	Angle adapter	1/4"UF-1/4"IR 90°
6	TS-113160-2	2 pcs	Hydraulic hose	1/4" L=1600 mm Straight-45°
7	TS-112090	1 pc	Hydraulic hose	1/4" L=900 mm Straight-90°

Articulation lock cylinders

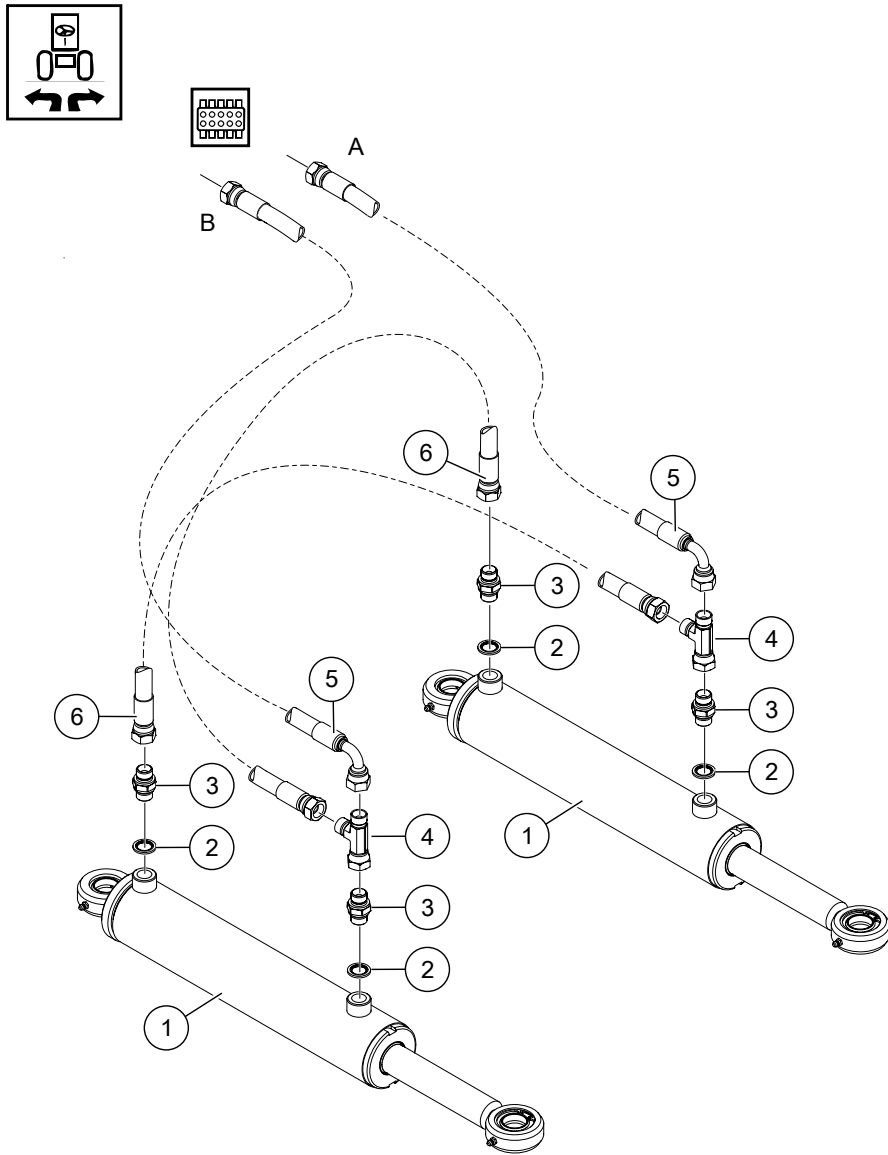


000632

Articulation lock cylinders

Pos	Art.	Qty.	Description	Remarks
1	KT-790851	2 pcs	Articulation lock cylinder	
	KT-790851-1		Gasket kit	Articulation lock cylinder KT-790851
2	KT-70020406	4 pcs	Adapter	1/4" UF-3/8"UF
3	KT-56010106	4 pcs	Rubber steel washer	3/8"
4	KT-740404041	2 pcs	T-adapter	1/4" IR/UF/UF
5	K6074-09	4 pcs	Screw	M6S 8x16 FZB
6	TE-700243	4 pcs	Washer	Articulation lock cylinder
7	TS-113027	2 pcs	Hydraulic hose	1/4" L=270 Straight-45°
8	TS-112030	2 pcs	Hydraulic hose	1/4" L=300 Straight-90°

Steering cylinders

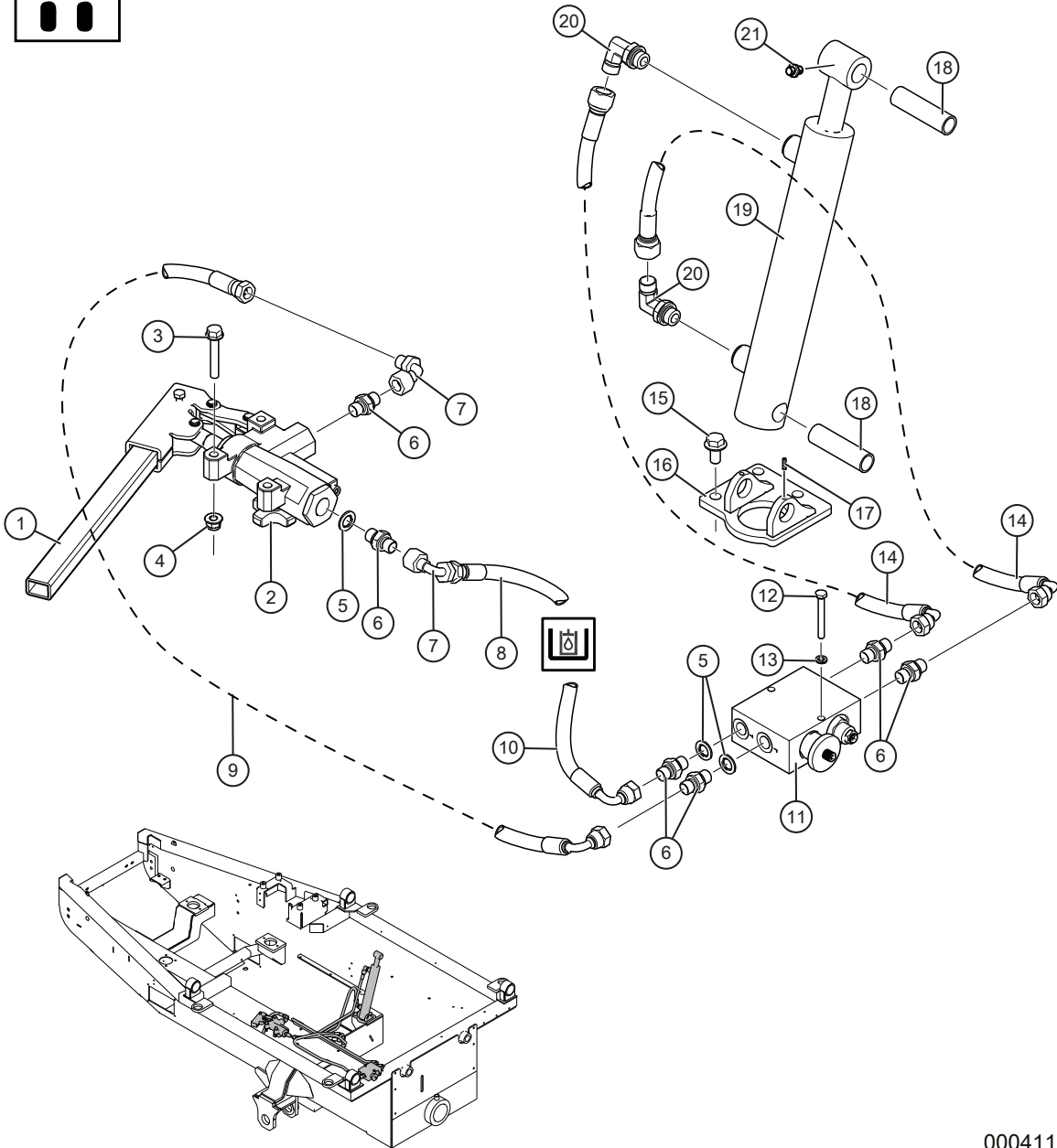
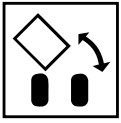


000562

Steering cylinders

Pos	Art.	Qty.	Description	Remarks
1	KT-791075	2 pcs	Steering cylinder	Replaced by KT-791678
	KT-791678	1 pc/2 pcs	Steering cylinder	Replaces KT-791075. Reinforced lug. Trailer part lug may need to be modified
	KT-791462	1 pc	Steering cylinder	With angle sensor
-	KT-791075-1		Gasket kit	Steering cylinder KT-791075 + KT-791678 + KT-791462
2	KT-56010106	4 pcs	Rubber steel washer	3/8"
3	KT-70020606	4 pcs	Adapter	3/8"UF-UF
4	KT-74040606	2 pcs	L-Adapter	3/8" IR-UF-UF
3	TS-122090	2 pcs	Hydraulic hose	3/8" L=900mm Straight-90°
4	TS-127075	2 pcs	Hydraulic hose	3/8" L=750mm Straight-Straight

Cab lift, valve and pump

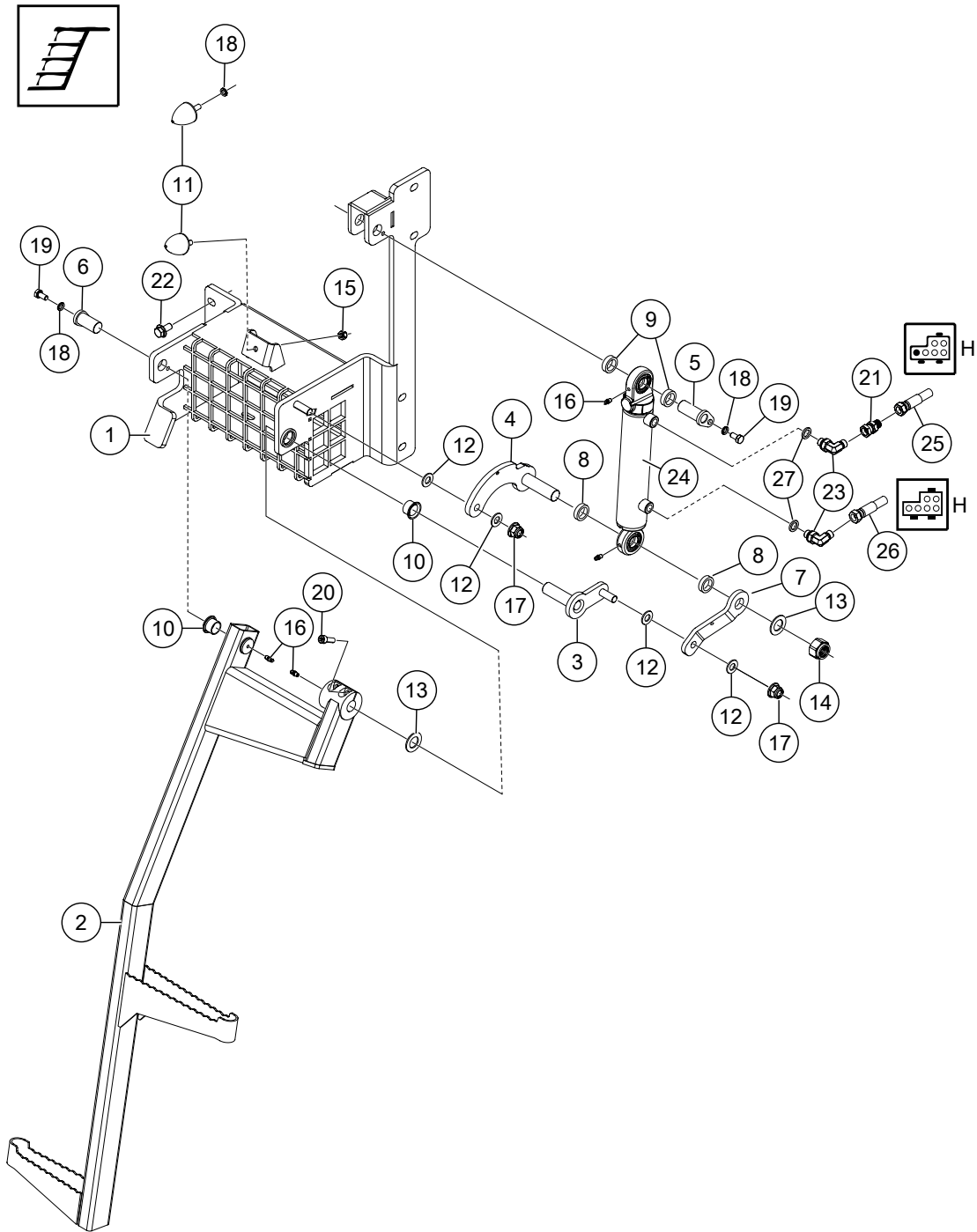


000411

Cab lift, valve and pump

Pos	Art.	Qty.	Description	Remarks
1	KT-790602	1 pc	Lever for hand pump	
2	KT-790601	1 pc	Hand pump	20ccm/twin stroke
3	09-266194	3 pcs	Flange screw	M6SF 8x50 8.8 FZB
4	09-265505	3 pcs	Lock nut	LM6MF 8 FZB
5	KT-56010104	6 pcs	Rubber steel washer	1/4"
6	KT-70020404	6 pcs	Adapter	1/4"UF-1/4"UF
7	KT-72050404	2 pcs	Angle adapter	1/4"UF-1/4IR 90°
8	TS-123032	1 pc	Hydraulic hose	3/8" L=320 mm Straight-45°
9	TS-112095	1 pc	Hydraulic hose	1/4" L=950 mm Straight-90°
10	TS-118177	1 pc	Hydraulic hose	1/4" L=1770 mm spec
11	KT-790603	1 pc	Valve block	
12	09-266779	2 pcs	Screw	M6S 6x50 FZB
13	KT-785036	2 pcs	Locking washer	Nordlock M6
14	TS-118177	2 pcs	Hydraulic hose	1/4" L=1770 mm
15	K6077-001	3 pcs	Flange screw	M6SF 10x20 8.8 FZB
16	TE-700303	1 pc	Lower bracket cab cylinder	
17	K6030-5	2 pcs	Stop screw hex	SK6SS 5 x 6
18	TE-700307	2 pcs	Pin cab cylinder	
19	KT-791205	1 pc	Hydraulic cylinder	
20	KT-72040606	2 pcs	Adjustable adapter	3/8"UF-3/8"UF 90° Stb
	KT-56010106	2 pcs	Rubber steel washer	3/8"
21	K6129	1 pc	Nut	M6M 6 FZB
	T4099298	1 pc	Stop screw	P6SS M6x16

Ladder

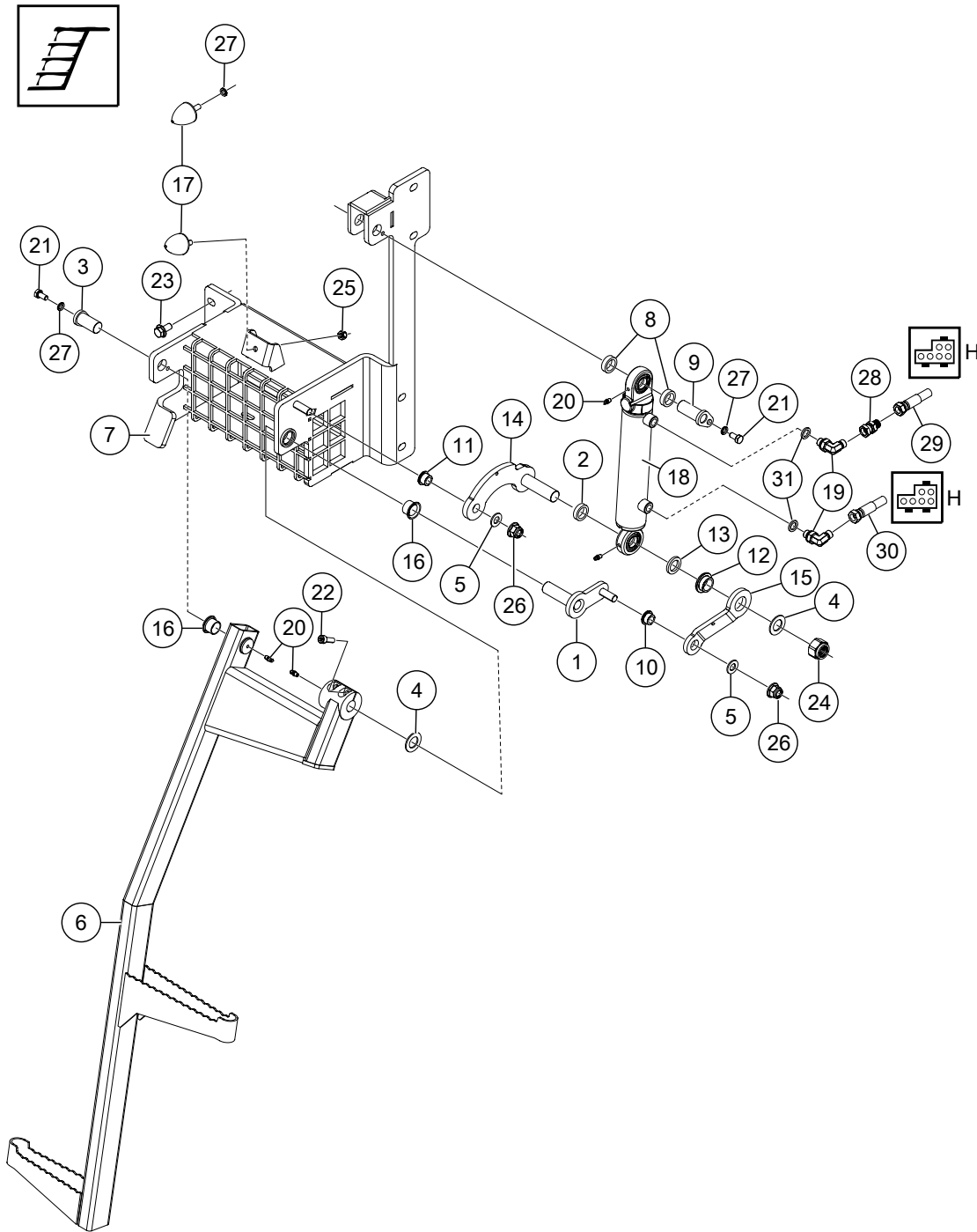


000453

Ladder

Pos	Art.	Qty.	Description	Remarks
	TE-710040		Ladder	Up to machine T23-028
1	TE-701681	1 pc	Bracket	
2	TE-701678	1 pc	Ladder	
3	TE-701509	1 pc	PTO shaft	
4	TE-701523	1 pc	Shaft	
5	TE-701685	1 pc	Pin	
6	TE-701554	1 pc	Pin	
7	TE-701529	1 pc	Link	
8	TE-701528	2 pcs	Spacer	Lower
9	TE-701684	2 pcs	Spacer	Upper
10	KT-791018	2 pcs	Sliding bearing	
11	KT-791025	2 pcs	Rubber stop	
12	TE-701565	4 pcs	Thrust washer	24x12.3x2 Bronze
13	TE-701564	2 pcs	Thrust washer	35x20.2x2 Bronze
14	K6135-12	1 pc	Lock nut	LM6M M20 8 FZB
15	K6134	1 pc	Lock nut	LM6M M8 8 FZB
16	KT-4600-100	4 pcs	Grease nipple	Straight M6
17	09-266030	2 pcs	Flange lock nut	LM6MF M12 8 FZB
18	K6163-004	3 pcs	Nordlock washer	M8
19	K6074-09	2 pcs	Hexagon head screw	M8x16
20	KT-6067-284	2 pcs	Hex screw	MC6S 8x25 12.9 Untr.
21	TE-702738	1 pc	Adapter with restrictor	1/4"-1/4" UF-IR
22	09-265702	6 pcs	Flange screw	M6SF 10x20 8.8 FZB
23	KT-72040404	2 pcs	Adjustable angle adapter	1/4"-1/4" 90° STB U-U
24	KT-791019	1 pc	Hydraulic cylinder	
	KT-791019-1	1 pc	Gasket set	
25	TS-112330	1 pc	Hydraulic hose	1/4" L=3300 mm
26	TS-112317	1 pc	Hydraulic hose	1/4" L=3170 mm
27	KT-56010104	2 pcs	Rubber steel washer	1/4"

Ladder

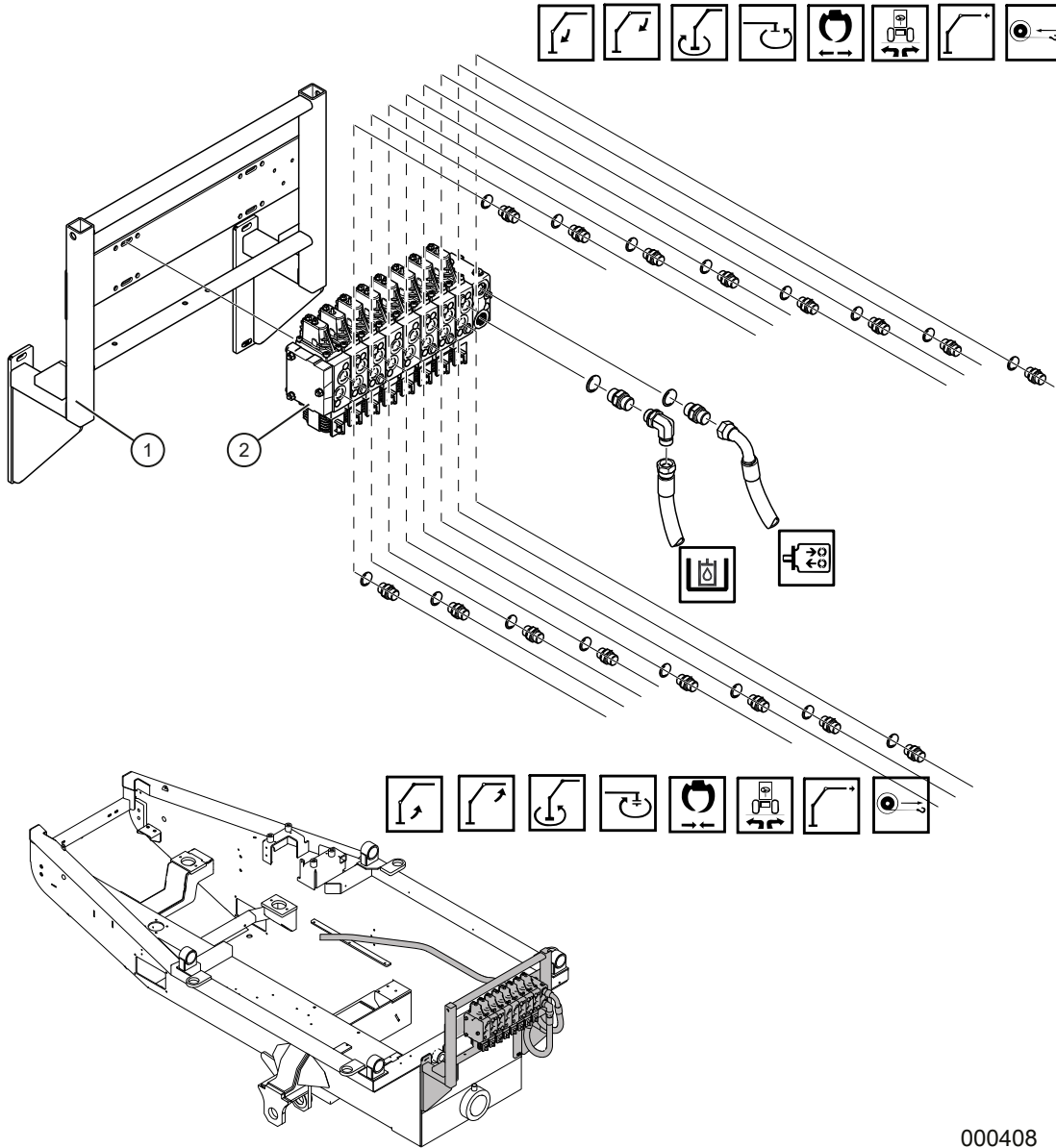
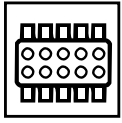


000576

Ladder

Pos	Art.	Qty.	Description	Remarks
	TM-710157		Ladder	From machine T23-029
1	TE-701509	1 pc	PTO shaft	
2	TE-701528	1 pc	Spacer	Lower
3	TE-701554	1 pc	Pin	
4	TE-701564	2 pcs	Thrust washer	35x20.2x2 Bronze
5	TE-701565	2 pcs	Thrust washer	24x12.3x2 Bronze
6	TE-701678	1 pc	Ladder	
7	TE-701681	1 pc	Bracket	
8	TE-701684	2 pcs	Spacer	Upper
9	TE-701685	1 pc	Pin	
10	KT-703485	1 pc	Bronze bushing	12/8.5 mm
11	KT-703486	1 pc	Bronze bushing	12/10.5 mm
12	KT-703487	1 pc	Bronze bushing	20/8.5 mm
13	TE-703488	1 pc	Spacer	Lower
14	TE-703489	1 pc	Shaft	
15	TE-703491	1 pc	Link	
16	KT-791018	2 pcs	Sliding bearing	
17	KT-791025	2 pcs	Rubber stop	
18	KT-791019	1 pc	Hydraulic cylinder	
	KT-791019-1	1 pc	Gasket set	
19	KT-72040404	2 pcs	Adjustable angle adapter	1/4"-1/4" 90° STB U-U
20	KT-4600-100	4 pcs	Grease nipple	Straight M6
21	K6074-09	2 pcs	Hexagon head screw	M8x16
22	KT-6067-284	2 pcs	Hex screw	MC6S 8x25 12.9 Untr.
23	09-265702	6 pcs	Flange screw	M6SF 10x20 8.8 FZB
24	K6135-12	1 pc	Lock nut	LM6M M20 8 FZB
25	K6134	1 pc	Lock nut	LM6M M8 8 FZB
26	09-266030	2 pcs	Flange lock nut	LM6MF M12 8 FZB
27	K6163-004	3 pcs	Nordlock washer	M8
28	TE-702738	1 pc	Adapter with restrictor	1/4"-1/4" UF-IR
29	TS-112330	1 pc	Hydraulic hose	1/4" L=3300 mm
30	TS-112317	1 pc	Hydraulic hose	1/4" L=3170 mm
31	KT-56010104	2 pcs	Rubber steel washer	1/4"

Crane valve with connections

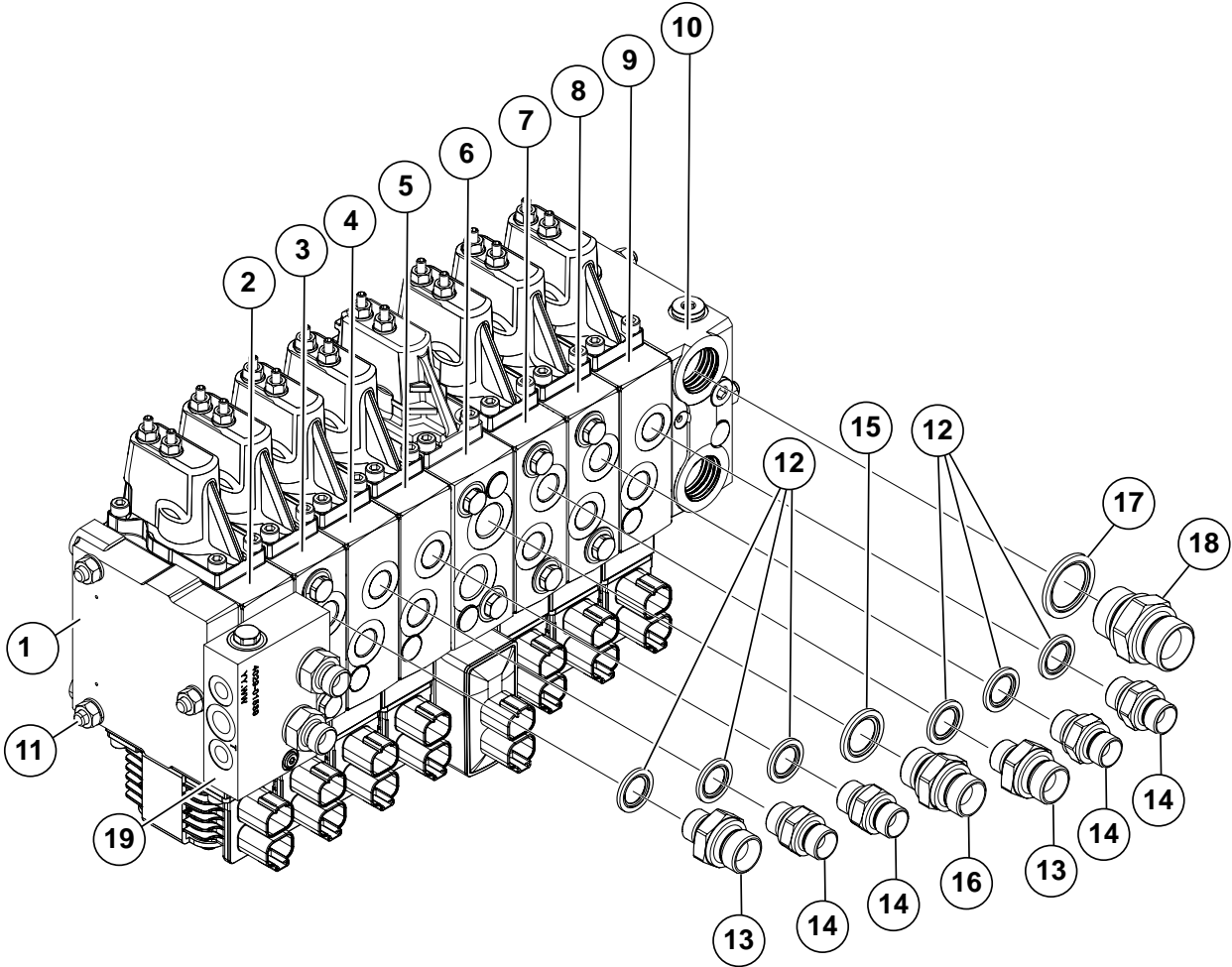
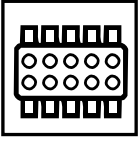


000408

Crane valve with connections

Pos	Art.	Qty.	Description	Remarks
1		1 pc	Mounting frame valve assembly, without rubber cover	See <i>Frame valve assembly, without rubber cover</i> , page 165.
		1 pc	Bracket valve assembly, with rubber cover	See <i>Frame valve assembly, without rubber cover</i> , page 167.
2	KT-791308		Crane valve	P30T/P40T with option. FW. P40T/P61T. HW. See <i>Crane valve - P30T/P40T - FW - P40T/P61T - HW</i> , page 103
	KT-791315		Crane valve	P40. HT. See <i>Crane valve - P40 - HT</i> , page 107
	KT-791316		Crane valve	P40T, P61T with option. HW. See <i>Crane valve - P40T/P61T - HW</i> , page 111

Crane valve - P30T/P40T - FW - P40T/P61T - HW

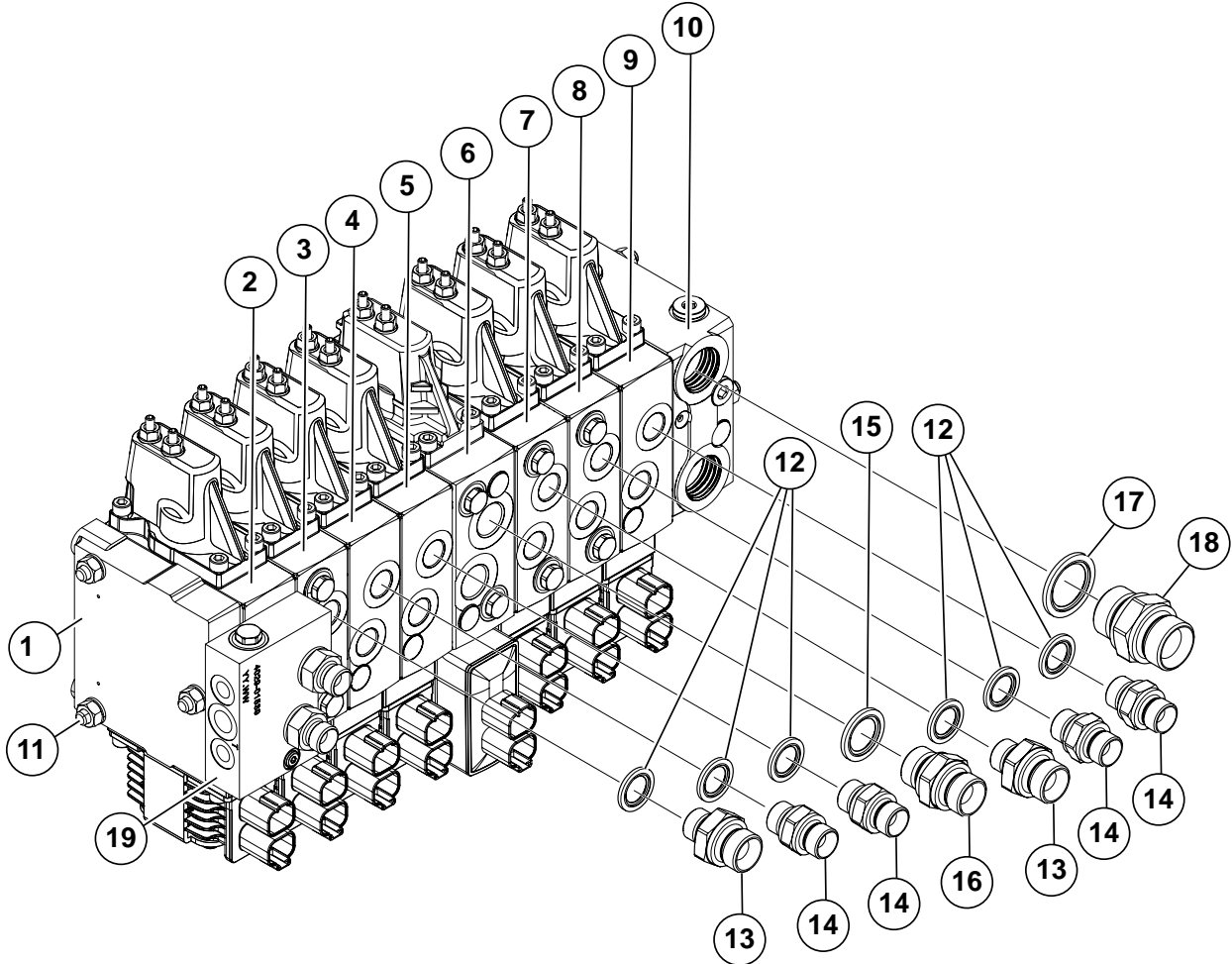
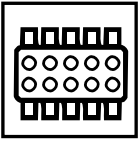


000578

Crane valve - P30T/P40T - FW - P40T/P61T - HW

Pos	Art.	Qty.	Description	Remarks
	KT-791308	1 pc	Crane valve	PVG16 7 + option Complete
1	KT-790754	1 pc	End plate	PVG16
2	KT-791222	1 pc	Basic module	Slew/Machine PVG16
	KT-240032		Power module	
	KT-791223		Lever housing	
	KT-791318		Main spool	25 L/min
	KT-791213		Cable	
	KT-791425		Termination resistor	
	KT-790887	1 pc	Plastic plug	
3	KT-791303	1 pc	Basic module	Extension PVG16
	KT-240032		Power module	
	KT-791223		Lever housing	
	KT-791304		Main spool	65 l/min
	KT-791102		Relief valve A-port	140 bar
	KT-791281		Relief valve B-port	190 bar
	KT-791213		Cable	
	KT-790887	1 pc	Plastic plug	
4	KT-791222	1 pc	Basic module	Grapple (FW) alt. Levelling (HW) PVG16
	KT-240032		Power module	
	KT-791223		Lever housing	
	KT-791304		Main spool	65 l/min
	KT-791213		Cable	
	KT-790887	1 pc	Plastic plug	
5	KT-791222	1 pc	Basic module	Rotator PVG16
	KT-240032		Power module	
	KT-791223		Lever housing	
	KT-791317		Main spool	10 l/min
	KT-791213		Cable	
	KT-790887	1 pc	Plastic plug	
6	KT-790960	1 pc	Basic module	Stick PVG32
	KT-240033		Power module	
	KT-791424		Lever housing	
	KT-791423		Main spool	40 l/min
	KT-790725		Relief valve A-port	210 bar
	KT-790725		Relief valve B-port	210 bar
	KT-791213		Cable	

Crane valve - P30T/P40T - FW - P40T/P61T - HW

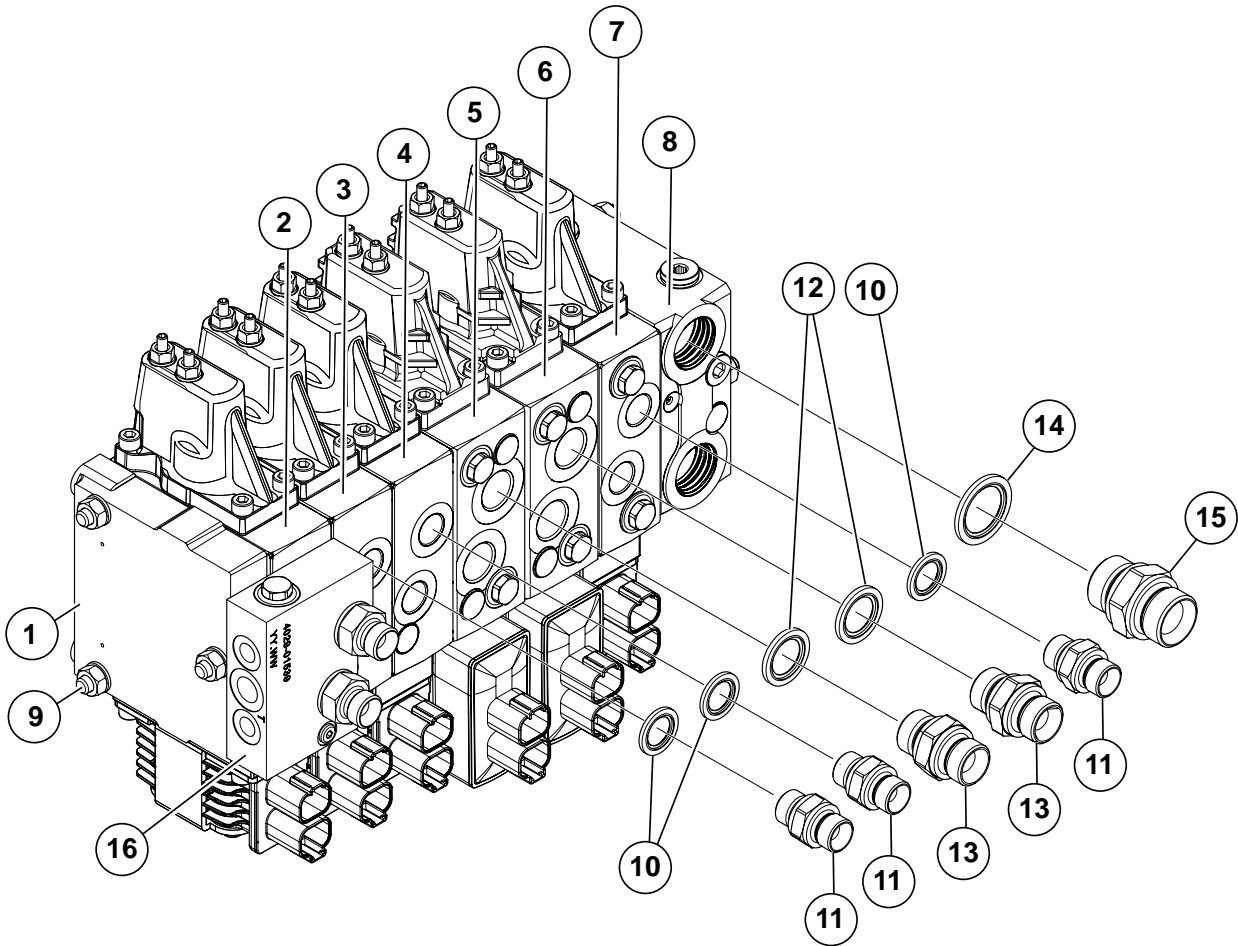
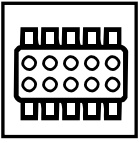


000578

Crane valve - P30T/P40T - FW - P40T/P61T - HW

Pos	Art.	Qty.	Description	Remarks
	KT-790887	2 pcs	Plastic plug	
7	KT-791303	1 pc	Basic module	Boom PVG16
	KT-240032		Power module	
	KT-791223		Lever housing	
	KT-791224		Main spool	40 l/min
	KT-791319		Relief valve A-port	100 bar
	KT-791281		Relief valve B-port	190 bar
	KT-791213		Cable	
	KT-790887	1 pc	Plastic plug	
8	KT-791303	1 pc	Basic module	Crane Slew PVG16
	KT-240032		Power module	
	KT-791223		Lever housing	
	KT-791318		Main spool	25 L/min
	KT-791102		Relief valve A-port	140 bar
	KT-791102		Relief valve B-port	140 bar
	KT-791213		Cable	
	KT-790887	1 pc	Plastic plug	
9	KT-791222	1 pc	Basic module	Option PVG16
	KT-240032		Power module	
	KT-791223		Lever housing	
	KT-791224		Main spool	40 l/min
	KT-791213		Cable	
	KT-790887	1 pc	Plastic plug	
10	KT-790818	1 pc	Frame side	Inlet
11	KT-790616		Draw rod	Including O-rings/seals
12	KT-56010106	12 pcs	Rubber steel washer	3/8"
13	KT-70020608	4 pcs	Adapter	3/8"UF-1/2"UF
14	KT-70020606	8 pcs	Adapter	3/8"UF-3/8"UF
15	KT-56010108	2 pcs	Rubber steel washer	1/2"
16	KT-70020808	2 pcs	Adapter	1/2"UF-1/2"UF
17	KT-56010112	2 pcs	Rubber steel washer	3/4"
18	KT-70021212	2 pcs	Adapter	3/4"UF-3/4"UF
19	KT-791428	1 pc	External relief block	
	KT-790011		Relief valve A-port	160 bar
	KT-790011		Relief valve B-port	160 bar

Crane valve - P40 - HT

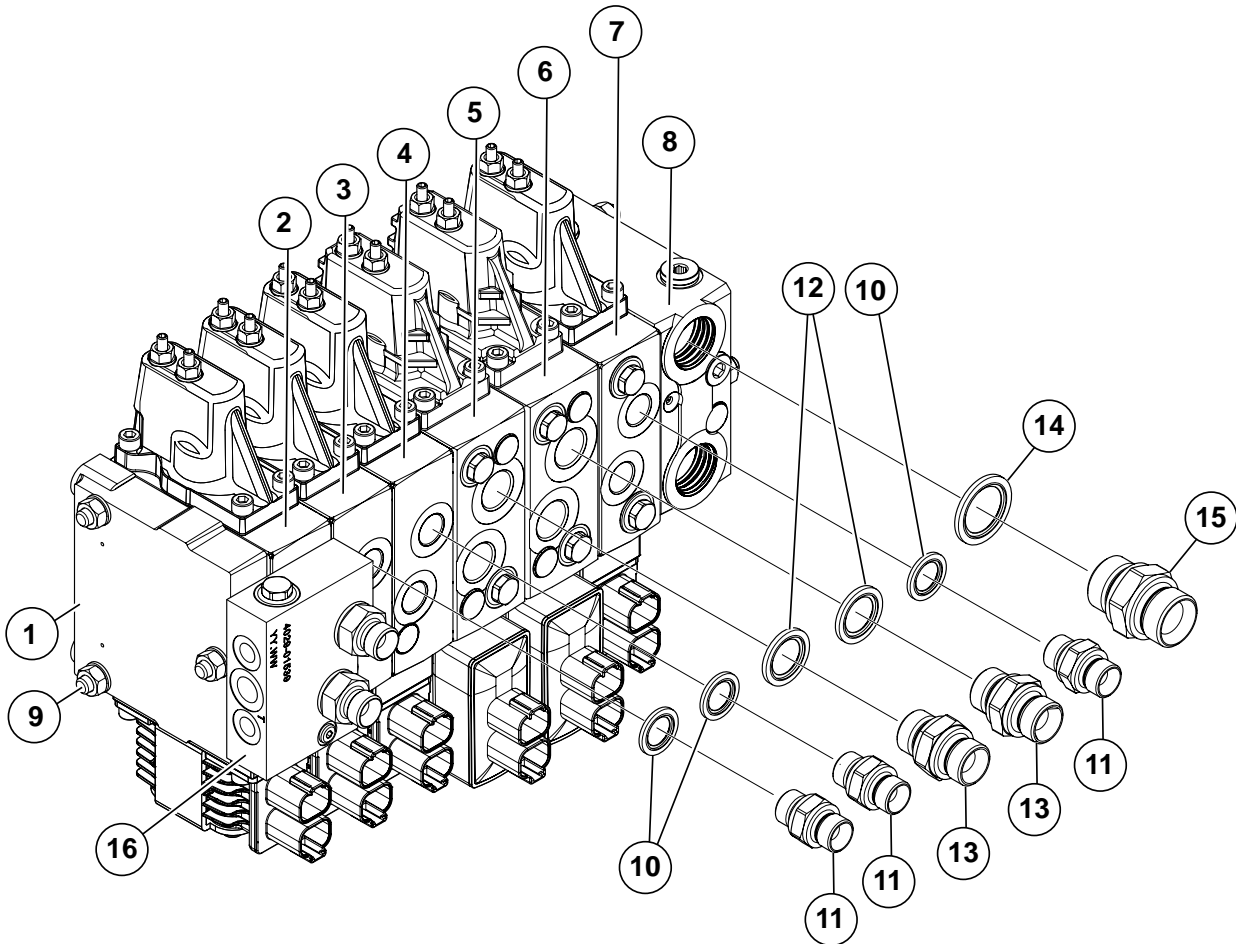
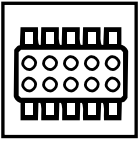


000582

Crane valve - P40 - HT

Pos	Art.	Qty.	Description	Remarks
	KT-791315	1 pc	Crane valve	PVG16 6 Complete
1	KT-790754	1 pc	End plate	PVG16
2	KT-791222	1 pc	Basic module	Slew/Machine PVG16
	KT-240032		Power module	
	KT-791223		Lever housing	
	KT-791318		Main spool	25 L/min
	KT-791213		Cable	
	KT-791425		Termination resistor	
	KT-790887	1 pc	Plastic plug	
3	KT-791222	1 pc	Basic module	Grapple/Levelling PVG16
	KT-240032		Power module	
	KT-791223		Lever housing	
	KT-791304		Main spool	65 l/min
	KT-791213		Cable	
	KT-790887	1 pc	Plastic plug	
4	KT-791222	1 pc	Basic module	Rotator PVG16
	KT-240032		Power module	
	KT-791223		Lever housing	
	KT-791317		Main spool	10 l/min
	KT-791213		Cable	
	KT-790887	1 pc	Plastic plug	
5	KT-790960	1 pc	Basic module	Stick PVG32
	KT-240033		Power module	
	KT-791424		Lever housing	
	KT-791423		Main spool	40 l/min
	KT-790725		Relief valve A-port	210 bar
	KT-790725		Relief valve B-port	210 bar
	KT-791213		Cable	
	KT-790887	2 pcs	Plastic plug	
6	KT-790960	1 pc	Basic module	Boom PVG32
	KT-240033		Power module	
	KT-791424		Lever housing	
	KT-790959		Main spool	40 l/min
	KT-791319		Relief valve A-port	100 bar
	KT-791247		Relief valve B-port	230 bar
	KT-791213		Cable	

Crane valve - P40 - HT

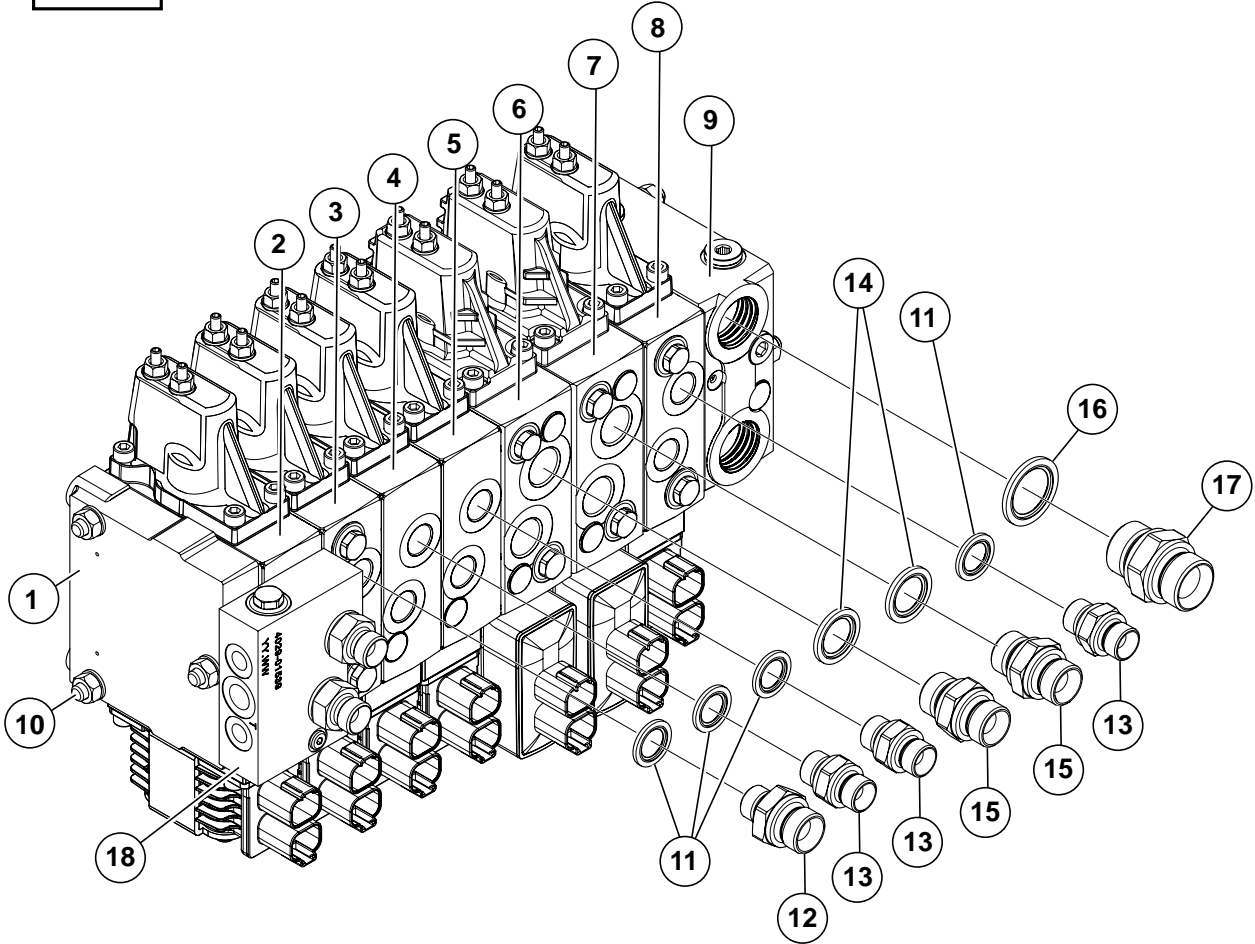
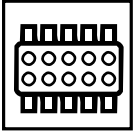


000582

Crane valve - P40 - HT

Pos	Art.	Qty.	Description	Remarks
	KT-790887	2 pcs	Plastic plug	
7	KT-791303	1 pc	Basic module	Crane Slew PVG16
	KT-240032		Power module	
	KT-791223		Lever housing	
	KT-791318		Main spool	25 L/min
	KT-791102		Relief valve A-port	140 bar
	KT-791102		Relief valve B-port	140 bar
	KT-791213		Cable	
	KT-790887	1 pc	Plastic plug	
8	KT-790818	1 pc	Frame side	Inlet
9	KT-790977		Draw rod	Including O-rings/seals
10	KT-56010106	6 pcs	Rubber steel washer	3/8"
11	KT-70020606	6 pcs	Adapter	3/8"UF-3/8"UF
12	KT-56010108	4 pcs	Rubber steel washer	1/2"
13	KT-70020808	4 pcs	Adapter	1/2"UF-1/2"UF
14	KT-56010112	2 pcs	Rubber steel washer	3/4"
15	KT-70021212	2 pcs	Adapter	3/4"UF-3/4"UF
16	KT-791428	1 pc	External relief block	
	KT-790011		Relief valve A-port	160 bar
	KT-790011		Relief valve B-port	160 bar

Crane valve - P40T/P61T - HW

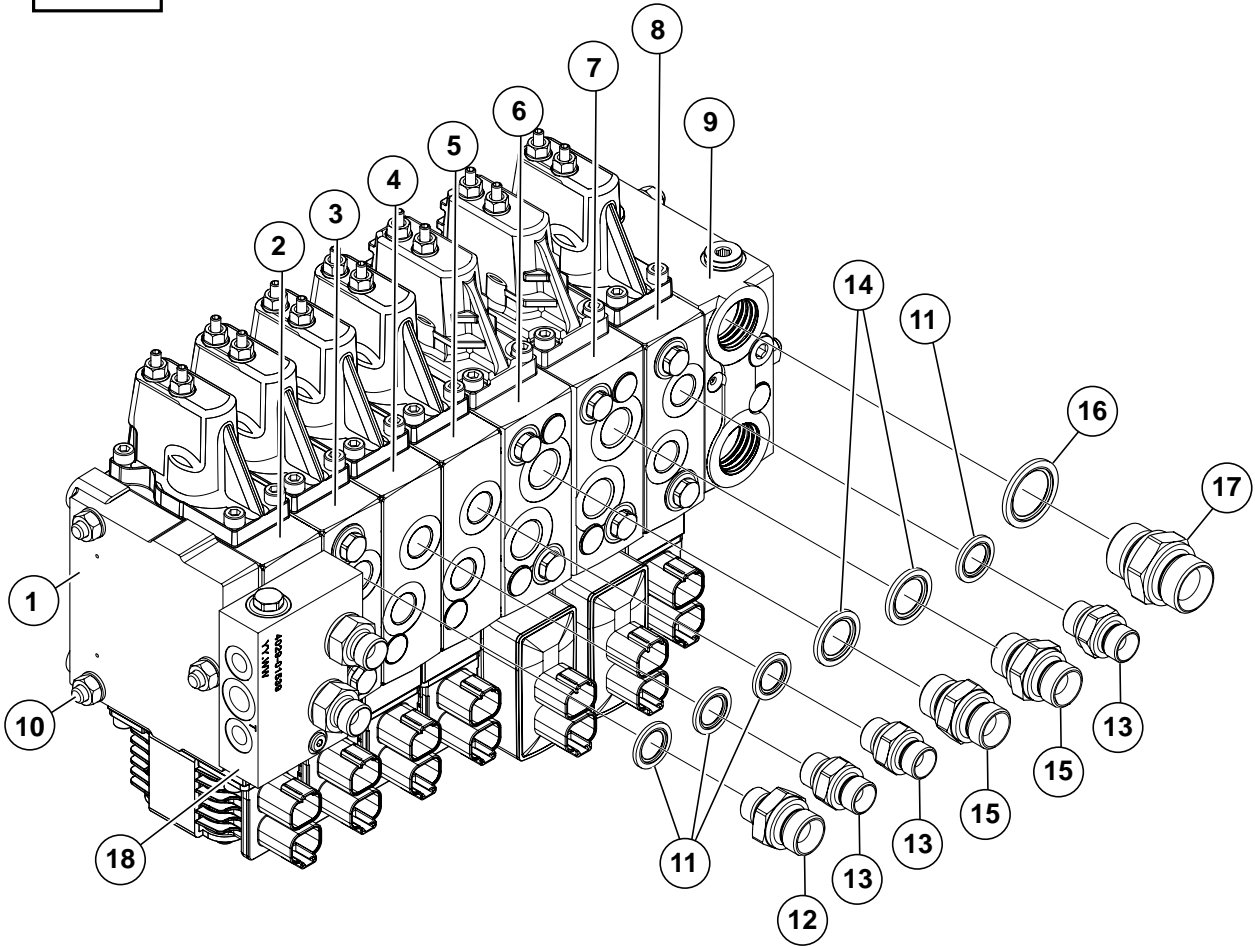
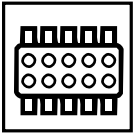


000583

Crane valve - P40T/P61T - HW

Pos	Art.	Qty.	Description	Remarks
	KT-791316	1 pc	Crane valve	PVG16 7 Complete
1	KT-791222	1 pc	End plate	PVG16
2	KT-791222	1 pc	Basic module	Slew/Machine PVG16
	KT-240032		Power module	
	KT-791223		Lever housing	
	KT-791318		Main spool	25 L/min
	KT-791213		Cable	
	KT-791425		Termination resistor	
	KT-790887	1 pc	Plastic plug	
3	KT-791303	1 pc	Basic module	Extension PVG16
	KT-240032		Power module	
	KT-791223		Lever housing	
	KT-791304		Main spool	65 l/min
	KT-791102		Relief valve A-port	140 bar
	KT-791281		Relief valve B-port	190 bar
	KT-791213		Cable	
	KT-790887	1 pc	Plastic plug	
4	KT-791222	1 pc	Basic module	Grapple/Levelling PVG16
	KT-240032		Power module	
	KT-791223		Lever housing	
	KT-791304		Main spool	65 l/min
	KT-791213		Cable	
	KT-790887	1 pc	Plastic plug	
5	KT-791222	1 pc	Basic module	Rotator PVG16
	KT-240032		Power module	
	KT-791223		Lever housing	
	KT-791317		Main spool	10 l/min
	KT-791213		Cable	
	KT-790887	1 pc	Plastic plug	
6	KT-790960	1 pc	Basic module	Stick PVG32
	KT-240033		Power module	
	KT-791424		Lever housing	
	KT-791423		Main spool	40 l/min
	KT-790725		Relief valve A-port	210 bar
	KT-790725		Relief valve B-port	210 bar
	KT-791213		Cable	

Crane valve - P40T/P61T - HW



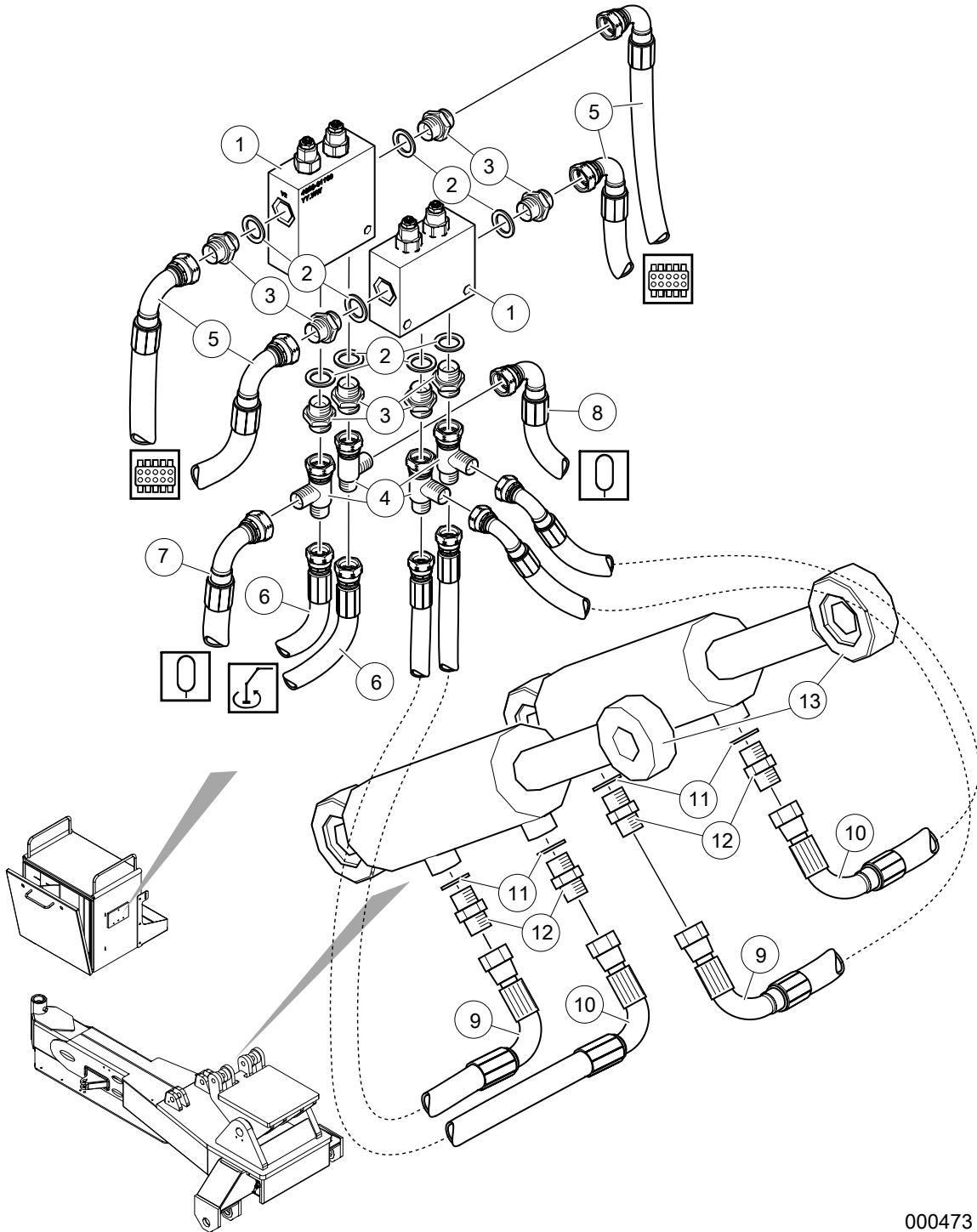
000583

Crane valve - P40T/P61T - HW

Pos	Art.	Qty.	Description	Remarks
	KT-790887	2 pcs	Plastic plug	
7	KT-790960	1 pc	Basic module	Boom PVG32
	KT-240033		Power module	
	KT-791424		Lever housing	
	KT-790959		Main spool	40 l/min
	KT-791319		Relief valve A-port	100 bar
	KT-791247		Relief valve B-port	230 bar
	KT-791213		Cable	
	KT-790887	2 pcs	Plastic plug	
8	KT-791303	1 pc	Basic module	Crane Slew PVG16
	KT-240032		Power module	
	KT-791223		Lever housing	
	KT-791318		Main spool	25 L/min
	KT-791102		Relief valve A-port	140 bar
	KT-791102		Relief valve B-port	140 bar
	KT-791213		Cable	
	KT-790887	1 pc	Plastic plug	
9	KT-790818	1 pc	Frame side	Inlet
10			Draw rod	Including O-rings/seals
11	KT-56010106	8 pcs	Rubber steel washer	3/8"
12	KT-70020608	2 pcs	Adapter	3/8"UF-1/2"UF
13	KT-70020606	6 pcs	Adapter	3/8"UF-3/8"UF
14	KT-56010108	4 pcs	Rubber steel washer	1/2"
15	KT-70020808	4 pcs	Adapter	1/2"UF-1/2"UF
16	KT-56010112	2 pcs	Rubber steel washer	3/4"
17	KT-70021212	2 pcs	Adapter	3/4"UF-3/4"UF
18	KT-791428	1 pc	External relief block	
	KT-790011		Relief valve A-port	160 bar
	KT-790011		Relief valve B-port	160 bar

5 CRANE

Crane tilt, square crane foot

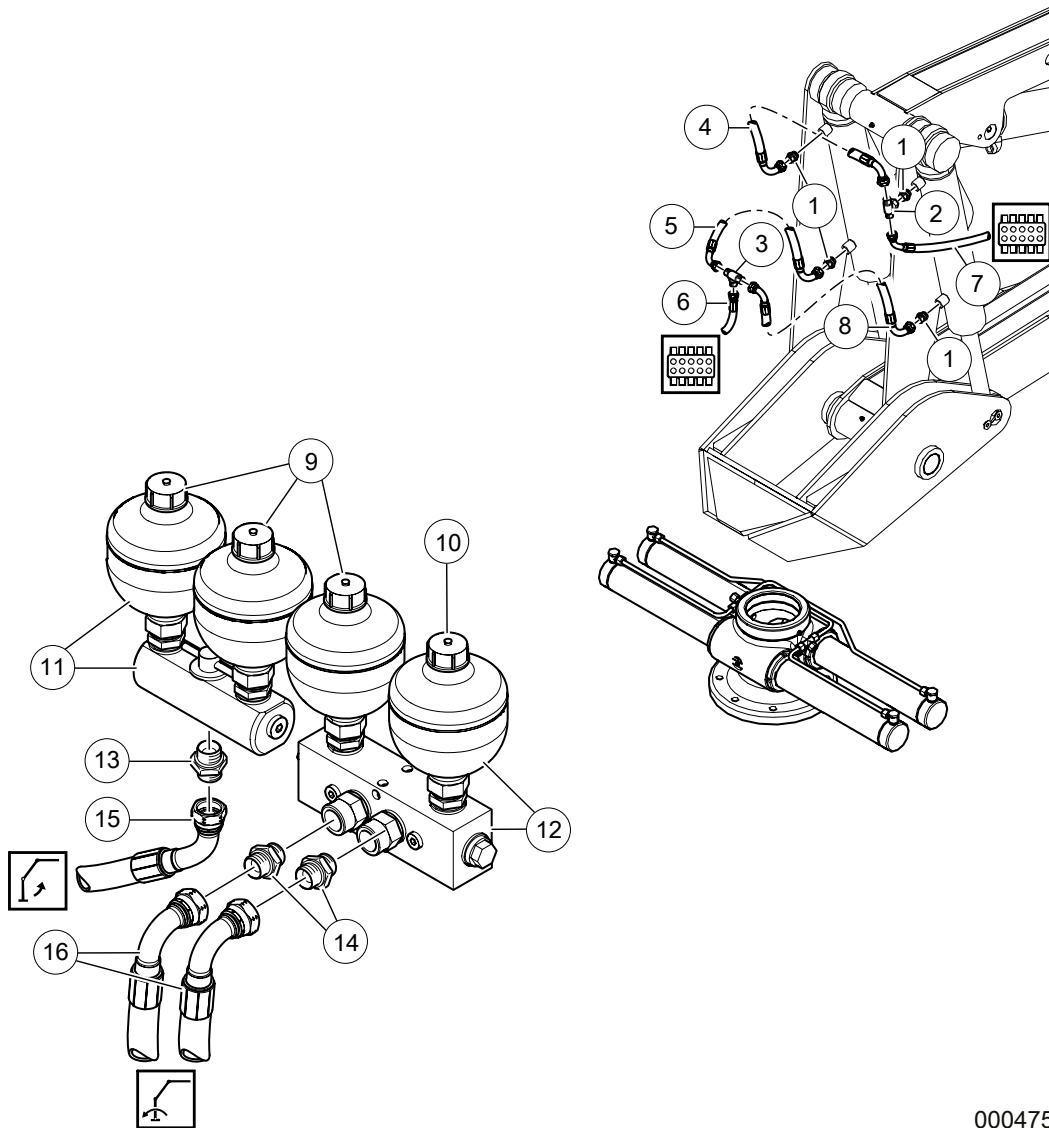


000473

Crane tilt, square crane foot

Pos	Art.	Qty.	Description	Remarks
1	KT-791100	1 pc	Overcenter w Crossover	Double relief
	KT-790605	2 pcs	Overcentre valve	3:1 set 130 bar
	KT-791101	1 pc	Standard housing	1/2" to the overcentre with double relief
	KT-791102		Relief valve	140 bar
	K6076-4	3 pcs	Screw	M6SH 8x80 8.8 FZB
1	KT-790909	1 pc	Dual overcentre valve	Complete
	KT-790605	2 pcs	Overcentre valve	3:1 set 130 bar
	KT-790666	1 pc	Standard housing	1/2" to the overcentre
	K6076-4	3 pcs	Screw	M6SH 8X80 8.8 FZB
2	KT-56010108	8 pcs	Rubber steel washer	1/2"
3	KT-70020608	8 pcs	Adapter	3/8"UF-1/2"UF
4	KT-74040606	2/4 pcs	T-adapter	3/8"UF/IR/UF. 4 pcs. on machine with crane slewing accumulators
5	TS-127180	4 pcs	Hydraulic hose	3/8" L=1800 mm
6	TS-121180-2	2 pcs	Hydraulic hose	3/8" L=1800 mm
7	TS-122110	1 pc	Hydraulic hose	3/8" L=1100 mm. Machine with crane slewing accumulators
8	TS-122110	1 pc	Hydraulic hose	3/8" L=1100 mm. Machine with crane slewing accumulators
9	TS-128044	2 pcs	Hydraulic hose	3/8" L=440 mm.
10	TS-128060	2 pcs	Hydraulic hose	3/8" L=600 mm.
11	KT-56010106	4 pcs	Rubber steel washer	3/8"
12	KT-70020606	4 pcs	Adapter	3/8"UF-3/8"UF
13	KT-791076	2 pcs	Hydraulic cylinder, levelling	

Lifting, slewing cylinder and accumulator connections

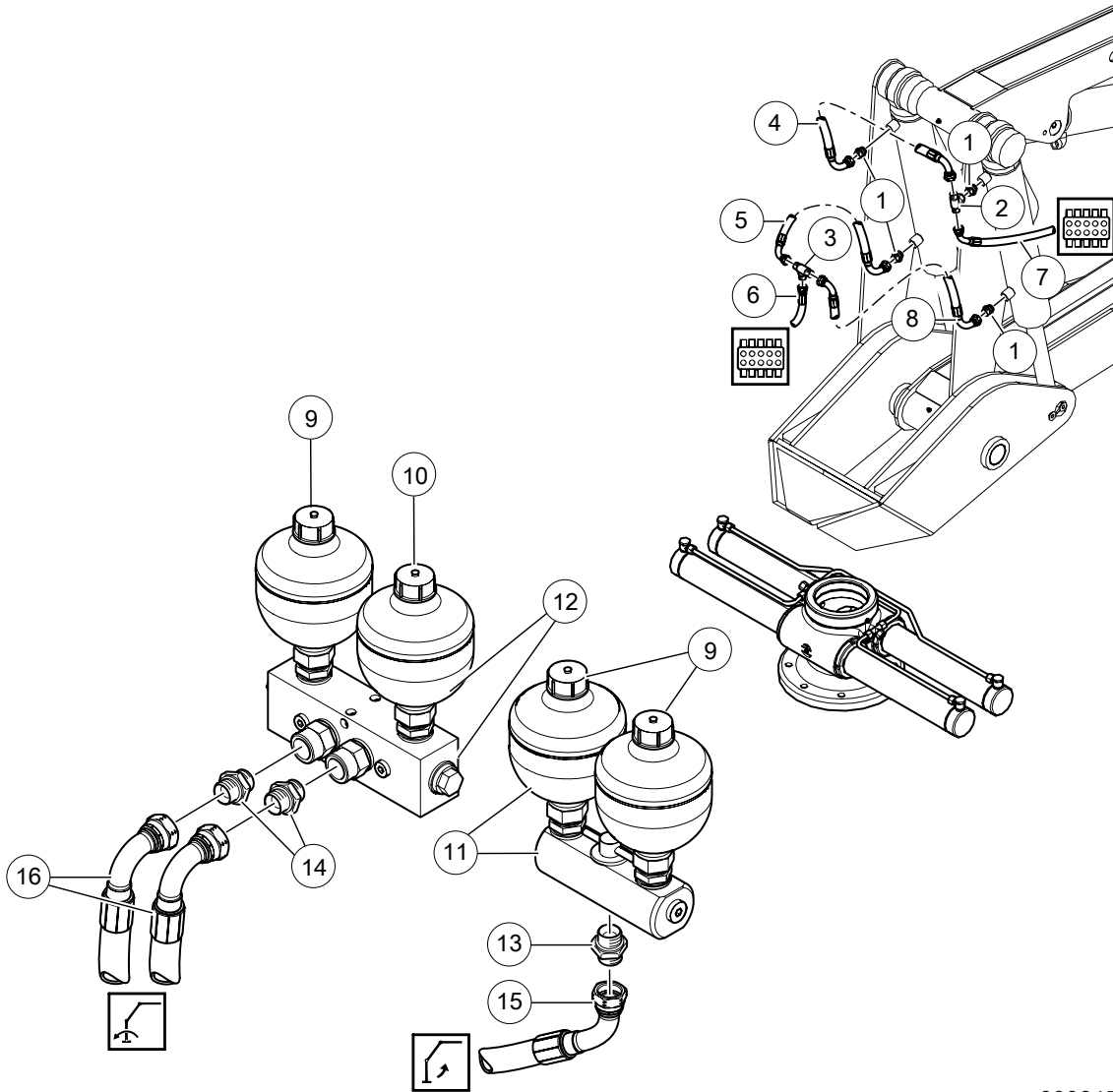


000475

Lifting, slewing cylinder and accumulator connections

Pos	Art.	Qty.	Description	Remarks
				Up to T23-025
1	KT-70020606	3 pcs	Adapter	3/8"UF-3/8"UF
	KT-70020608	1 pc	Adapter	3/8"UF-1/2"UF
	KT-56010106	4 pcs	Rubber steel washer	3/8"
2	KT-74040808	1 pc	T-adapter	1/2"UF/IR/UF
3	KT-74010808	1 pc	T-adapter	1/2"UF/UF/UF
4	TS-128036	1 pc	Hydraulic hose	3/8" L=365 mm. Square/round crane foot
5	TS-128075	1 pc	Hydraulic hose	3/8" L=750 mm. Square crane foot
	TS-128083	1 pc	Hydraulic hose	3/8" L=830 mm. Round crane foot
6	TS-132318	1 pc	Hydraulic hose	1/2" L=3180 mm. Square crane foot
	TS-132285	1 pc	Hydraulic hose	1/2" L=2850 mm. Round crane foot
7	TS-133312	1 pc	Hydraulic hose	1/2" L=3120 mm. Square crane foot
	TS-133275	1 pc	Hydraulic hose	1/2" L=2750 mm. Round crane foot
8	TS-128030	1 pc	Hydraulic hose	3/8" L=300 mm. Square crane foot
	TS-128040	1 pc	Hydraulic hose	3/8" L=400 mm. Round crane foot
9	KT-791197	3 pcs	Accumulator	4.0 MPa. Extra equipment
10	KT-791198	1 pc	Accumulator	5.5 MPa. Extra equipment
11	KT-791110	1 pc	Load absorber crane LD 650	Extra equipment
12	KT-791111	1 pc	Sway damper crane 652	Extra equipment
13	KT-70020808	1 pc	Adapter	1/2"UF-1/2"UF
14	KT-70020608	2 pcs	Adapter	3/8"UF-1/2"UF
15	TS-133083	1 pc	Hydraulic hose	1/2" L=830 mm Straight-45°
16	TS-122110	2 pcs	Hydraulic hose	3/8" L=1100 mm Straight-90°

Lifting, slewing cylinder and accumulator connections

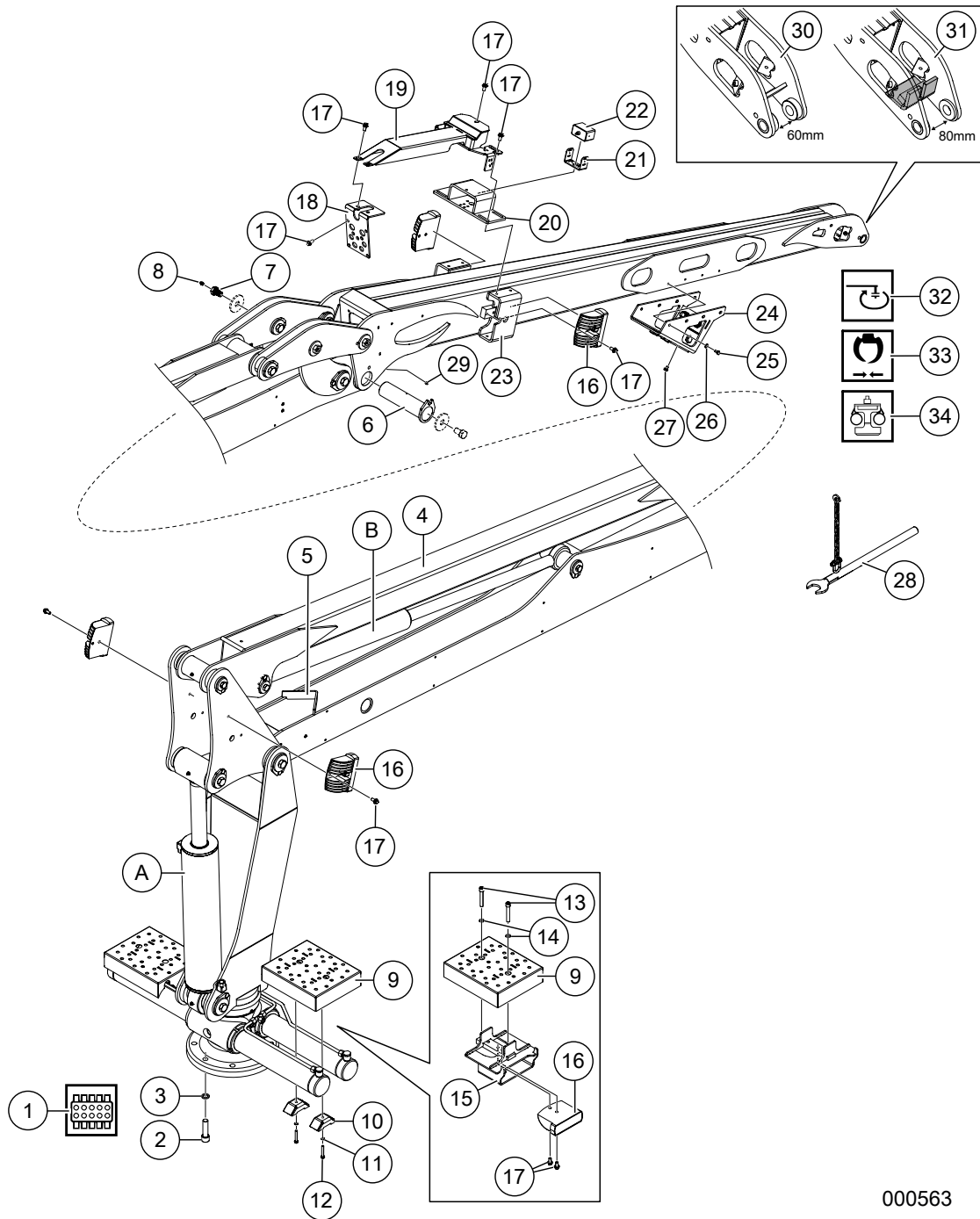


000645

Lifting, slewing cylinder and accumulator connections

Pos	Art.	Qty.	Description	Remarks
				From machine T23-034
1	KT-70020606	3 pcs	Adapter	3/8"UF-3/8"UF
	KT-70020608	1 pc	Adapter	3/8"UF-1/2"UF
	KT-56010106	4 pcs	Rubber steel washer	3/8"
2	KT-74040808	1 pc	T-adapter	1/2"UF/IR/UF
3	KT-74010808	1 pc	T-adapter	1/2"UF/UF/UF
4	TS-128036	1 pc	Hydraulic hose	3/8" L=365 mm. Square/round crane foot
5	TS-128075	1 pc	Hydraulic hose	3/8" L=750 mm. Square crane foot
	TS-128083	1 pc	Hydraulic hose	3/8" L=830 mm. Round crane foot
6	TS-132318	1 pc	Hydraulic hose	1/2" L=3180 mm. Square crane foot
	TS-132285	1 pc	Hydraulic hose	1/2" L=2850 mm. Round crane foot
7	TS-133312	1 pc	Hydraulic hose	1/2" L=3120 mm. Square crane foot
	TS-133275	1 pc	Hydraulic hose	1/2" L=2750 mm. Round crane foot
8	TS-128030	1 pc	Hydraulic hose	3/8" L=300 mm. Square crane foot
	TS-128040	1 pc	Hydraulic hose	3/8" L=400 mm. Round crane foot
9	KT-791197	3 pcs	Accumulator	4.0 MPa. Extra equipment
10	KT-791198	1 pc	Accumulator	5.5 MPa. Extra equipment
11	KT-791110	1 pc	Load absorber crane LD 650	Extra equipment
12	KT-791111	1 pc	Sway damper crane 652	Extra equipment
13	KT-70020808	1 pc	Adapter	1/2"UF-1/2"UF
14	KT-70020608	2 pcs	Adapter	3/8"UF-1/2"UF
15	TS-133083	1 pc	Hydraulic hose	1/2" L=830 mm Straight-45°
16	TS-122110	2 pcs	Hydraulic hose	3/8" L=1100 mm Straight-90°

Crane P40 Combi/Harvester

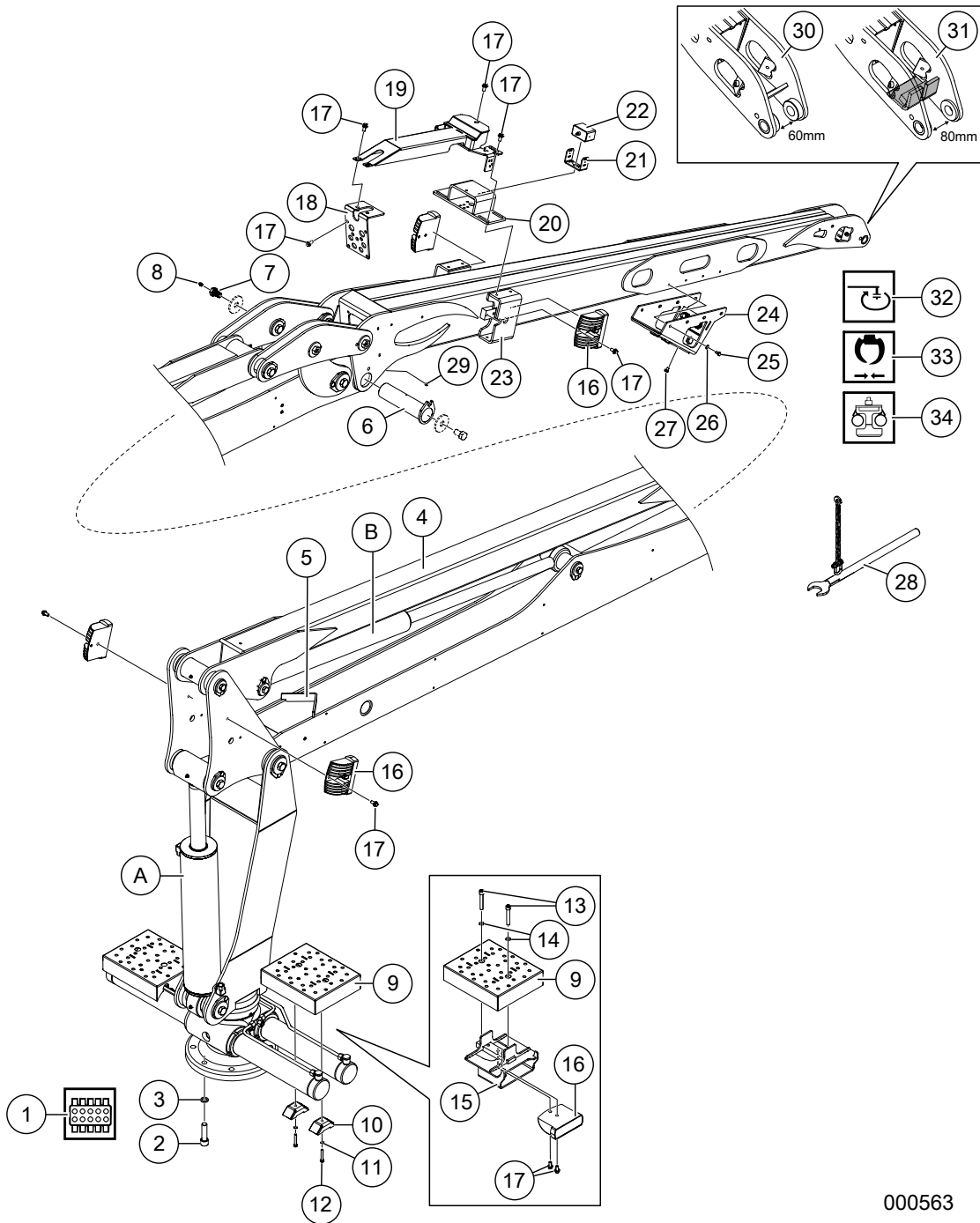


000563

Crane P40 Combi/Harvester

Pos	Art.	Qty.	Description	Remarks
				The parts below are modified by Terri, for other spare parts see the subcontractor documentation for crane P40.
1		1 pc	Crane valve	See <i>Crane valve with connections</i> , page 101.
2	09-267810	1 pc	Hex screw	MC6S 20x75 10.9 FZB
	09-267808	1 pc	Screw	M6SH 20x75 10.9 FZB
3	K6163-0020	8 pcs	Nordlock washer	M20
4	TE-702559	1 pc	Rod	
5	TE-702824	1 pc	Guide plate	Welded
6	TE-702232	1 pc	Axle	
7	TE-702261	1 pc	Lubrication screw	M6S 20x30 8.8 FZB
8	KT-59020007	1 pc	Grease nipple	1/8"
9	TE-702775	2 pcs	Step guard	
10	TE-700309	4 pcs	Bracket	
11	K6163-004	4 pcs	Nordlock washer	M8
12	K6076-330	4 pcs	Screw	M6S 8x50 8.8 FZB
13	09-266960	4 pcs	Hex screw	MC6S 12x75 8.8 FZB
14	K6163-000	4 pcs	Nordlock washer	M12
15	TE-702778	2 pcs	Guard work lights	
16	KT-791146	6 pcs	Work light	LED
17	09-265702	21 pcs	Flange screw	M6SFT 10x20 8.8 FZB
18	TE-702873	1 pc	Bulkhead plate	
	KT-70901010		Bulkhead connector	5/8"UF-5/8"UF
	KT-70900606		Bulkhead connector	3/8"UF-3/8"UF
	KT-70900808		Bulkhead connector	1/2"UF-1/2"UF
	KT-70901212		Bulkhead connector	3/4"UF-3/4"UF
	KT-70900404		Bulkhead connector	1/4"UF-1/4"UF
	KT-55522316		Quick-release coupling	1" Female
	KT-55520716V		Gasket kit quick-release coupling	1"
	KT-55522216		Quick-release coupling	1" Male
	KT-55520308		Quick-release coupling	1/2" female
	KT-55520708V		Gasket kit quick-release coupling	1/2"
	KT-55520208		Quick-release coupling	1/2" Male
	KT-55500304		Quick-release coupling	1/4" female
	KT-55500204		Quick-release coupling	1/4" Male
19	TE-702874	1 pc	Cable guard	Work lights/camera
20	TE-702430	1 pc	Camera mount	
21	TE-702438	1 pc	Mount	

Crane P40 Combi/Harvester

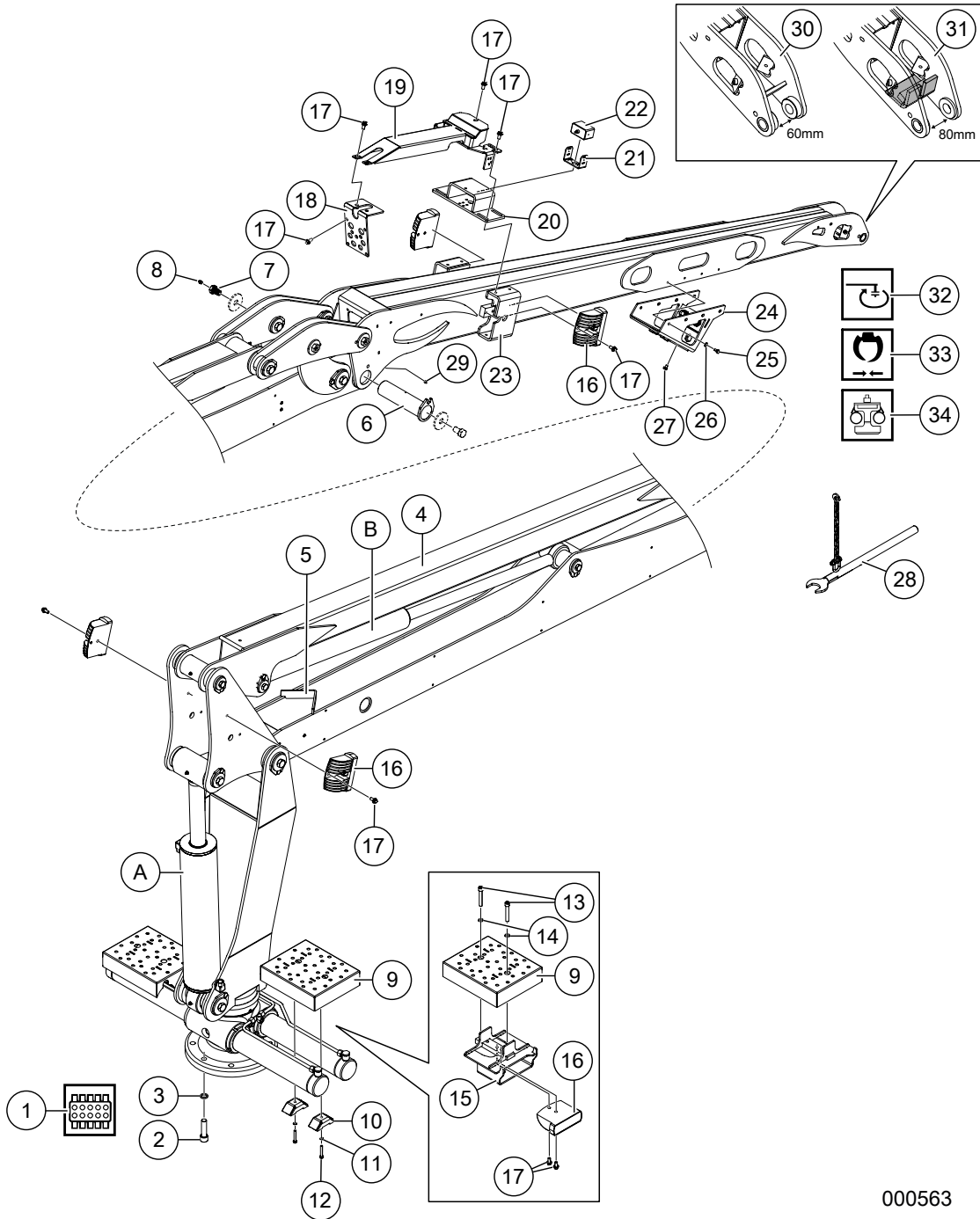


000563

Crane P40 Combi/Harvester

Pos	Art.	Qty.	Description	Remarks
22	KT-791116-2	1 pc	Camera/Reversing camera	HD
23	TE-702588	2 pcs	Guard work lights	
24	TE-702696	1 pc	Hose bracket	
	KT-70900606		Bulkhead connector	3/8"UF-3/8"UF
	KT-70900808		Bulkhead connector	1/2"UF-1/2"UF
	KT-70900404		Bulkhead connector	1/4"UF-1/4"UF
	KT-791014	1 pc	Splice connector	
	KT-791013	1 pc	Crimp connector	
	KT-790961	9 pcs	Pin male	
	KT-790949	1 pc	Splice connector	
	KT-791013	1 pc	Crimp connector	
	KT-15519378	1 pc	Cable gland	
	KT-14450765	9 pcs	Crimp contact	
25	K6074-09	8 pcs	Screw	M6S 8x16 FZB
26	K6151	8 pcs	Flat washer	BRB M8 FZB
27	09-265597	1 pc	Flange screw	M6SF 8x12
28	TE-702800	1 pc	Tool for tightening of quick-release connectors	
29	KT-791184	1 pc	Hexagonal plug	EXT tapered
30	TE-702557	1 pc	Stick	60 mm. Unbraked/single braked link
31	TE-702556	1 pc	Stick	80 mm. Dual braked link
32		1 pc	Rotator	See <i>Rotator</i> , page 147.
		1 pc	Link	See <i>Link/Slewing damper</i> , page 141.
		1 pc	Axle	See <i>Axle</i> , page 145.
33		1 pc	Grapple	See sub-supplier documentation
34	KT-785000	1 pc	Log Max 928 unit/Logmate 500	See
	KT-785000-2	1 pc	Log Max 2000T unit/Logmate 510	See
			HOSES	
1-A	TS-131155	1 pc	Hydraulic hose	1/2" L=1500 R-R. Lift cylinder -
	TS-131115	1 pc	Hydraulic hose	1/2" L=1150 R-R. Lift cylinder +
1-B	TS-131246	2 pcs	Hydraulic hose	1/2" L=2460 R-R. Tilt cylinder
1-18	TS111570	2 pcs	Hydraulic hose	1/4" L=5700 R-R.
	TS-121570	2 pcs	Hydraulic hose	3/8" L=5700 R-R.
	TS-131610	1 pc	Hydraulic hose	1/2" L=6100 R-R
	TS-141605	1 pc	Hydraulic hose	5/8" L=6050 R-R
	TS-161620	1 pc	Hydraulic hose	3/4" L=6200 R-R. Pressure

Crane P40 Combi/Harvester

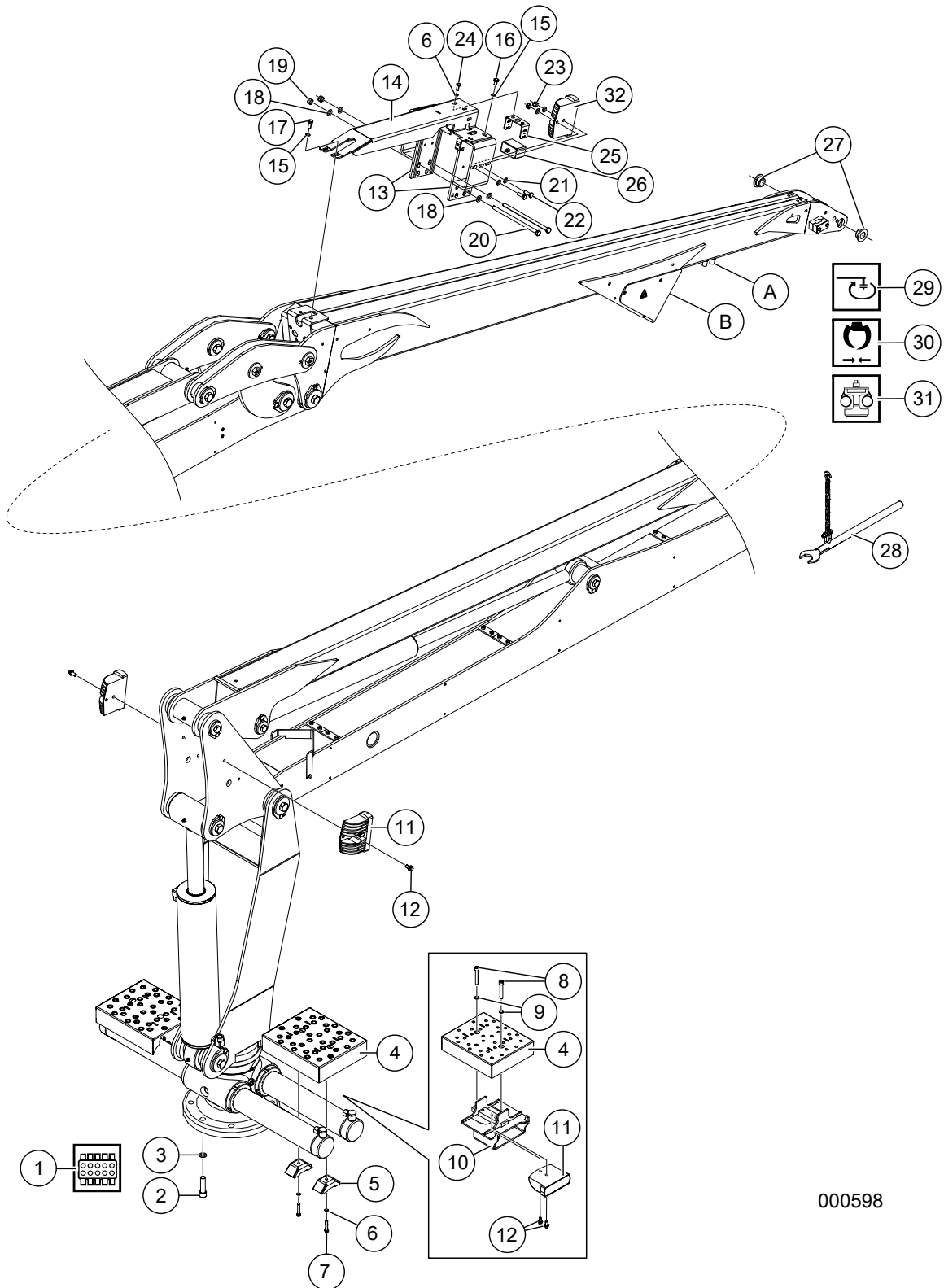


000563

Crane P40 Combi/Harvester

Pos	Art.	Qty.	Description	Remarks
	TS-161620	1 pc	Hydraulic hose	3/4" L=6200 R-R. Return
18-24	TS-118215	2 pcs	Hydraulic hose	1/4" L=2150 R-90 3/8". Rotator
	TS-122210	2 pcs	Hydraulic hose	3/8" L=2100 R-90 3/8". Grapple
	TS-131195	1 pc	Hydraulic hose	1/2" L=1950 R-R. Overflow
	TS-148165	1 pc	Hydraulic hose	5/8" L=1650 R-post. Electricity
	TS-151190	2 pcs	Hydraulic hose	3/4" L=1900 R-R
	TS-111195	1 pc	Hydraulic hose	1/4" L=1950 R-R. Urea
24-32	TS-123110	4 pcs	Hydraulic hose	3/8" L=1100 R-45. Rotator
24-34			Hydraulic hose	See
24-33	TS-121045	1 pc	Hydraulic hose	3/8" L=450 R-R. Grapple
	TS-121080	1 pc	Hydraulic hose	3/8" L=800 R-R. Grapple

Crane P40 Combi/Harvester

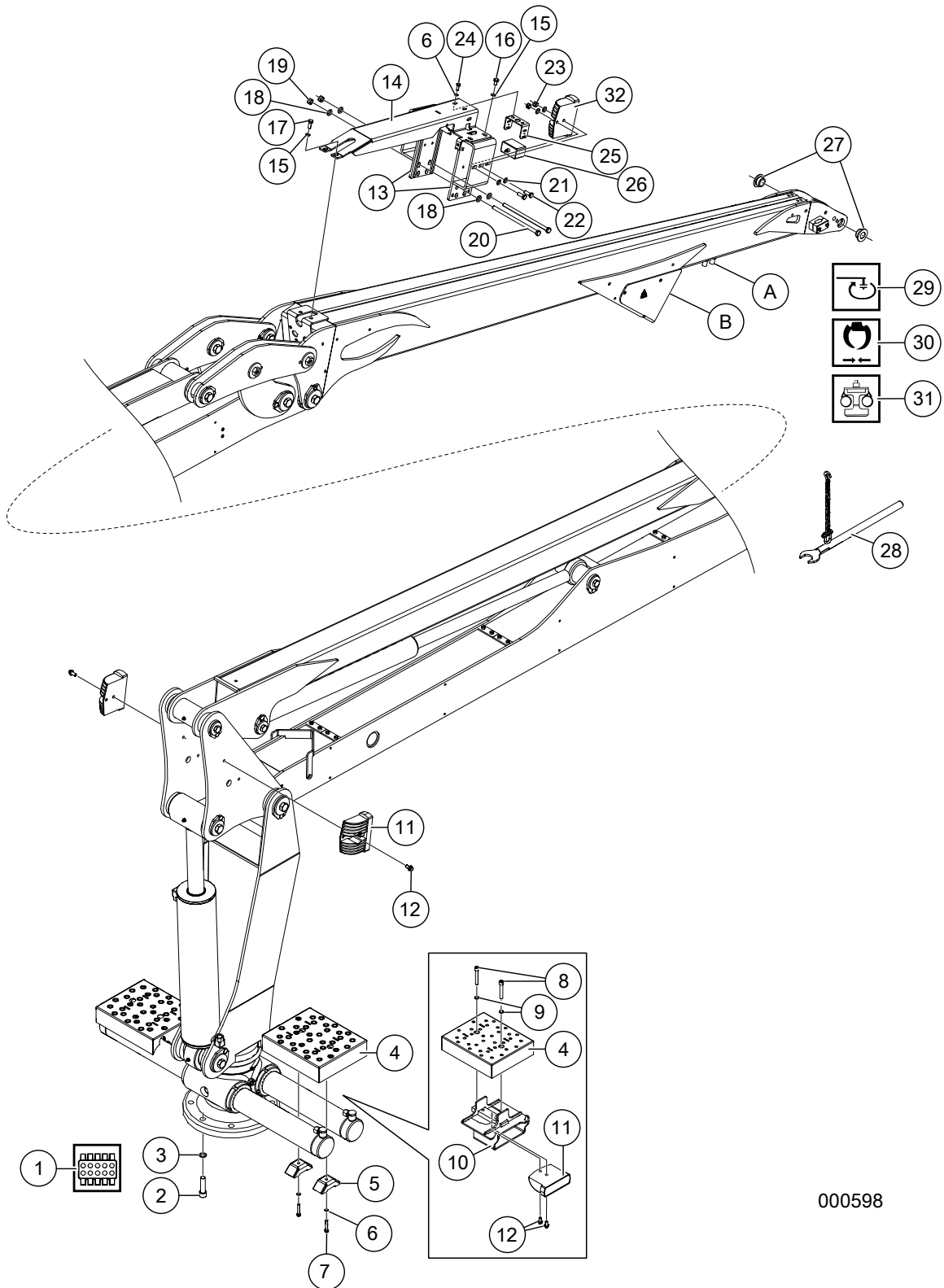


000598

Crane P40 Combi/Harvester

Pos	Art.	Qty.	Description	Remarks
				The parts below are modified by Terri, for other spare parts see the subcontractor documentation for crane P40.
1		1 pc	Crane valve	See <i>Crane valve with connections</i> , page 101.
2	09-267810	7 pcs	Hex screw	MC6S 20x75 10.9 FZB
	09-267808	1 pc	Screw	M6SH 20x75 10.9 FZB
3	K6163-0020	8 pcs	Nordlock washer	NL M20
4	TE-702775	2 pcs	Step guard	
5	TE-700309	4 pcs	Bracket	
6	K6163-004	6 pcs	Nordlock washer	NL M8
7	K6076-2	4 pcs	Screw	M6S 8x45 8.8 FZB
8	09-266960	4 pcs	Hex screw	MC6S 12x75 8.8 FZB
9	K6163-000	4 pcs	Nordlock washer	NL M12
10	TE-702778	2 pcs	Guard work lights	
11	KT-791146	4 pcs	Work light	LED
12	09-265702	6 pcs	Flange screw	M6SFT 10x20 8.8 FZB
13	TE-703218	2 pcs	Guard work lights	
14	TE-703226	1 pc	Guard, hose	
15	K6163-003	6 pcs	Nordlock washer	NL M10
16	K6077-01	4 pcs	Screw	M6S 10x16 8.8 FZB
17	K6078-02	2 pcs	Screw	M6S 10x25 8.8 FZB
18	K6152-050	4 pcs	Flat washer	BRB M12 FZB
19	K6135-1	2 pcs	Lock nut	M6M 12 Nyloc
20	09-267589	2 pcs	Screw	M6S 12x230 8.8 FZB
21	K6152	8 pcs	Flat washer	BRB M10 FZB
22	K6077-02	4 pcs	Screw	M6S 10x30 8.8 FZB
23	K6135	4 pcs	Lock nut	LM6M 10 8 FZB
24	K6075	2 pcs	Screw	M6S 8x20 8.8 FZB
25	TE-702438	1 pc	Mount	
26	KT-791116-2	1 pc	Camera/Reversing camera	HD
27	KT-791434	2 pcs	Spacer sleeve	Crane tip
28	TE-702800	1 pc	Tool for tightening of quick-release connectors	
29		1 pc	Rotator	See <i>Rotator</i> , page 147.
		1 pc	Link	See <i>Link/Slewing damper</i> , page 141.
		1 pc	Axle	See <i>Axle</i> , page 145.
30		1 pc	Grapple	See sub-supplier documentation
31	KT-785000-2	1 pc	Log Max 2000T unit/Logmate 510	See
32	KT-791551	2 pcs	Work lights	LED

Crane P40 Combi/Harvester

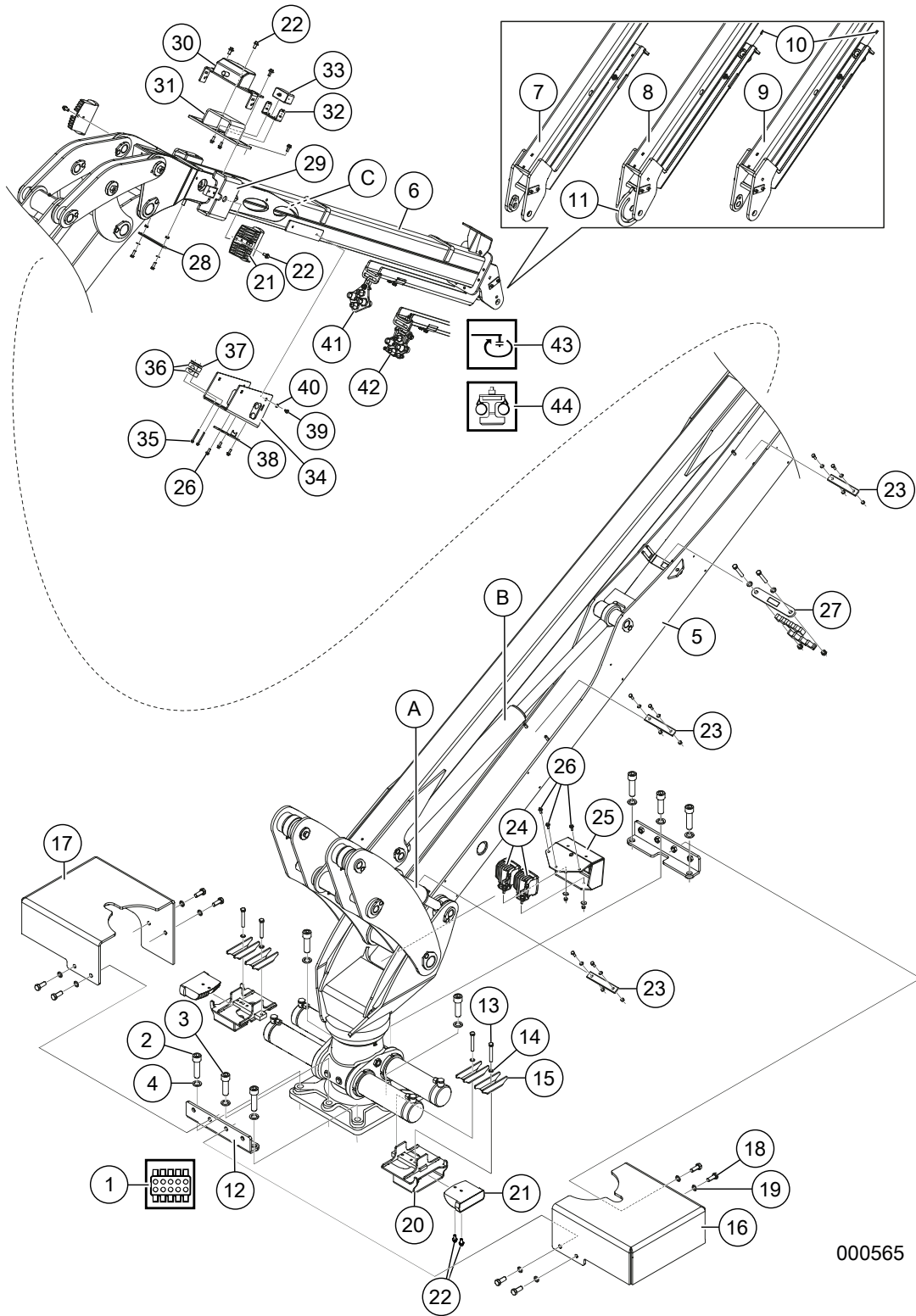


000598

Crane P40 Combi/Harvester

Pos	Art.	Qty.	Description	Remarks
			HOSES	
A-29	TS-122110	4 pcs	Hydraulic hose	3/8" L=1100 Straight-90°. Rotator
29-30	TS-121045	1 pc	Hydraulic hose	3/8" L=450 Straight-Straight. Grapple
	TS-121080	1 pc	Hydraulic hose	3/8" L=800 Straight-Straight Grapple
B-31			Hydraulic hose	See

Crane P40T harvester with extension

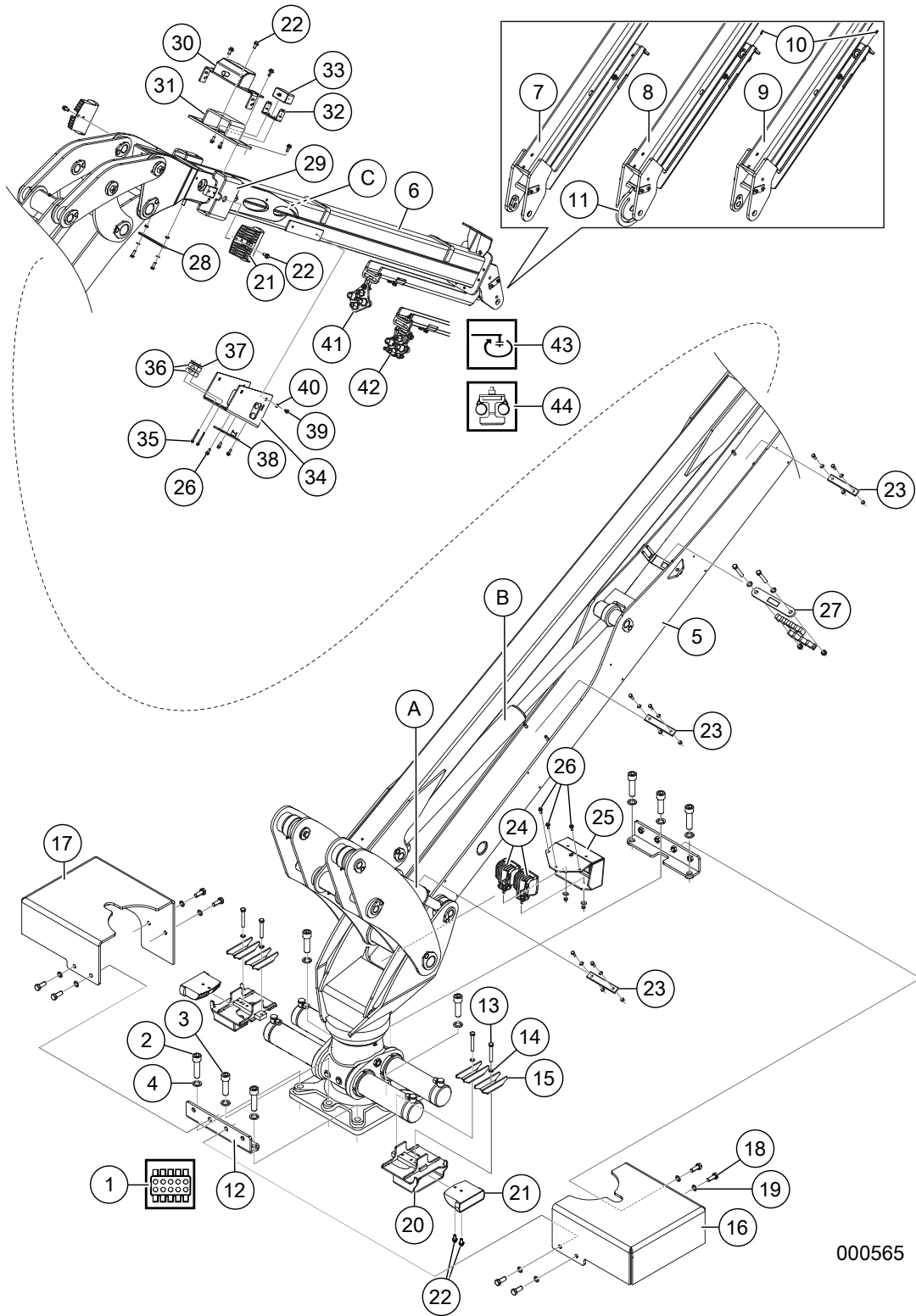


000565

Crane P40T harvester with extension

Pos	Art.	Qty.	Description	Remarks
				The parts below are modified by Terri, for other spare parts see the sub-supplier documentation for crane P40T.
1		1 pc	Crane valve	See <i>Crane valve with connections</i> , page 101.
2	KT-267861	4 pcs	Hex screw	MC6S 24x90 10.9 FZB
3	KT-267859	4 pcs	Hex screw	MC6S 24x80 10.9 FZB
4	K6163-00	8 pcs	Nordlock washer	M24
5	TE-702701	1 pc	Boom	Converted
6	TE-702685	1 pc	Rocker arm	Converted
7	TE-702702	1 pc	Extension	Converted
8	TE-702793	1 pc	Extension	Converted. Dual brake
9	TE-702793	1 pc	Extension	Converted. Dual brake. New spec.
10	KT-4600-100	1 pc	Grease nipple	M6
11	TE-702774	1 pc	Brake disc	Slewing damper
12	TE-701767	2 pcs	Bracket	
13	09-267515	4 pcs	Screw	M6S 12x90 8.8 FZB
14	K6163-000	4 pcs	Nordlock washer	M12
15	TE-702811	4 pcs	Bracket	
16	TE-703474	1 pc	Guard, slewing cylinder	Left. Replaces TE-701974
17	TE-703473	1 pc	Guard, slewing cylinder	Right. Replaces TE-701975
18	KT-6067-280	8 pcs	Hex screw	MC6S 16X40 12.9 UNTR.
19	K6163-002	8 pcs	Nordlock washer	M16
20	TE-702778	2 pcs	Guard work lights	
21	KT-791146	4 pcs	Work light	LED
22	K6077-001	13 pcs	Flange screw	M6SF 10X20 8.8 FZB
23	TE-702018	3 pcs	Mounting plate hoses	Boom
	K6075-01	6 pcs	Screw	M6S 8X25 8.8 FZB
	K6151	6 pcs	Flat washer	BRB M8 FZB
	K6130	6 pcs	Nut	M6M M8 FZB
24	KT-791045	2 pcs	Work lights	LED
25	TE-701740	1 pc	Lamp guard crane foot	
26	09-266036	6 pcs	Flange screw	M6SF 8x20 8.8 FZB
27	TE-702772	1 pc	Hose bracket	Upper section
	TE-702768	1 pc	Hose bracket	Middle section
	TE-702767	1 pc	Hose bracket	Lower section
	K6077-11	2 pcs	Screw	M6S 12x80 8.8 FZB
	K6152-050	2 pcs	Flat washer	BRB M12 FZB
	K6131-02	2 pcs	Nut	M6M 12

Crane P40T harvester with extension

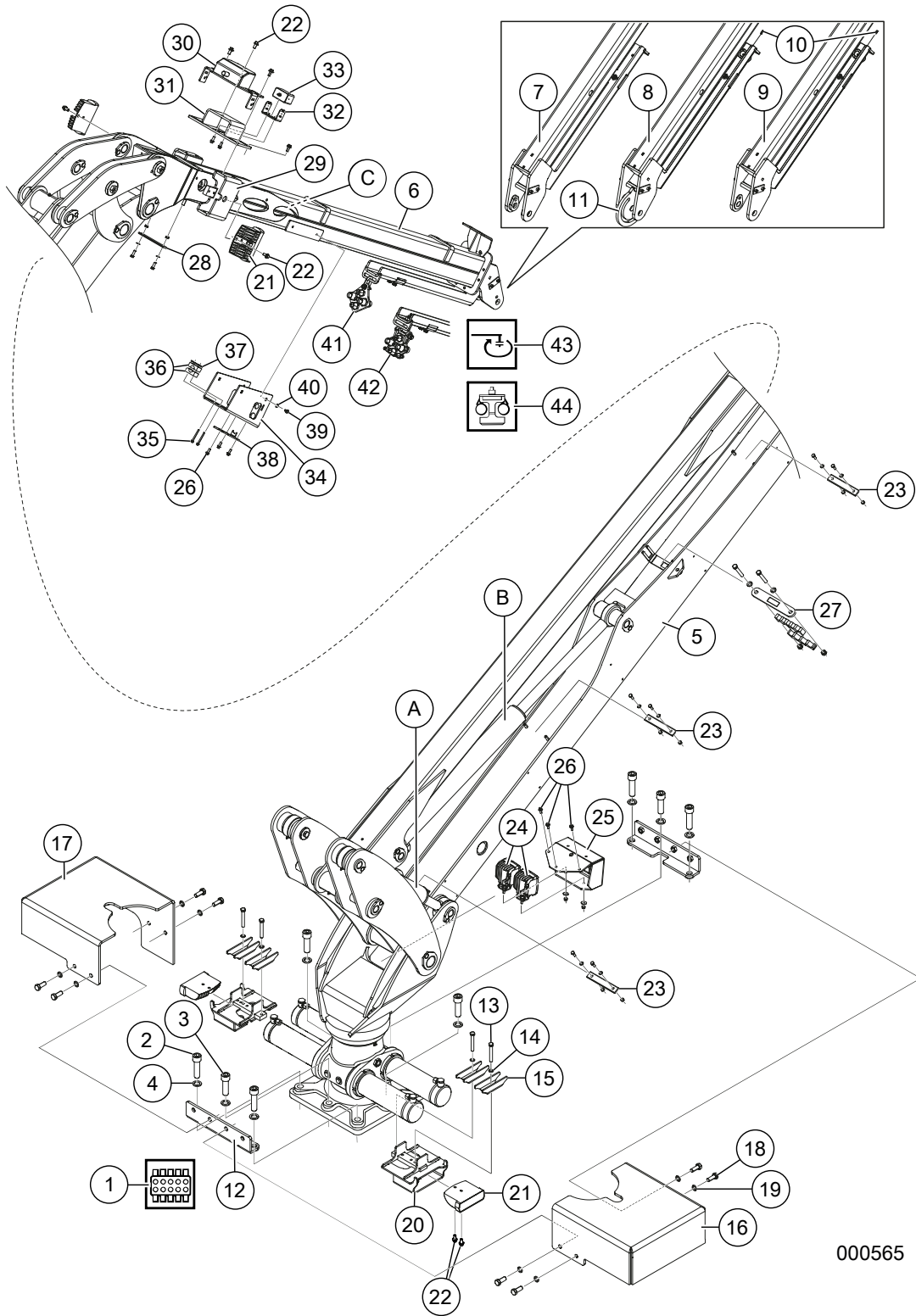


000565

Crane P40T harvester with extension

Pos	Art.	Qty.	Description	Remarks
28	TE-702017	1 pc	Mounting plate hoses	Tilt
	K6075-01	2 pcs	Screw	M6S 8X25 8.8 FZB
	K6151	2 pcs	Flat washer	BRB M8 FZB
	K6130	2 pcs	Nut	M6M M8 FZB
29	TE-702425	2 pcs	Guard work lights	
30	TE-702494	1 pc	Cable guard	Work lights/camera
31	TE-702430	1 pc	Camera mount	
32	TE-702438	1 pc	Mount	
33	KT-791116-2	1 pc	Camera/Reversing camera	HD
34	TE-702693	1 pc	Hose connection	
35	09-266989	2 pcs	Flange screw	M6SF 6x50 8.8 FZB
36	KT-53900423	2 pcs	Clamp	
37	KT-53917401	1 pc	Lid	
38	TE-701749	1 pc	Lid	
39	09-267080	4 pcs	Screw	M6S 8x10 8.8 FZB
40	K6151	4 pcs	Flat washer	BRB M8 FZB
41	KT-123110	1 pc	Shackle	
	TE-701570	1 pc	Hose bracket	
	KT-70901212	2 pcs	Bulkhead connector	3/4"UF-3/4"UF
	KT-70900808	1 pc	Bulkhead connector	1/2"UF-1/2"UF
	KT-70900404	1 pc	Bulkhead connector	1/4"UF-1/4"UF
	KT-70901010	1 pc	Bulkhead connector	5/8"UF-5/8"UF
42	TE-702862	1 pc	Hose bracket	
	K6135-1	2 pcs	Lock nut	M6M 12 Locking
	TE-702860	1 pc	Washer	
	09-267087	2 pcs	Flanged bearing	
	TE-702858	1 pc	Pivot pin	
	TE-702865	2 pcs	Spacer	
	09-267515	1 pc	Screw	M6S 12X90 8.8 FZB
	K6152-050	2 pcs	Flat washer	BRB M12 FZB
	KT-70900808	1 pc	Bulkhead connector	1/2"UF-1/2"UF
	KT-70901212	2 pcs	Bulkhead connector	3/4"UF-3/4"UF
	KT-70900404	3 pcs	Bulkhead connector	1/4"UF-1/4"UF
	KT-70901010	1 pc	Bulkhead connector	5/8"UF-5/8"UF
43		1 pc	Rotator	See <i>Rotator</i> , page 147.
		1 pc	Link	See <i>Link/Slewing damper</i> , page 141.

Crane P40T harvester with extension

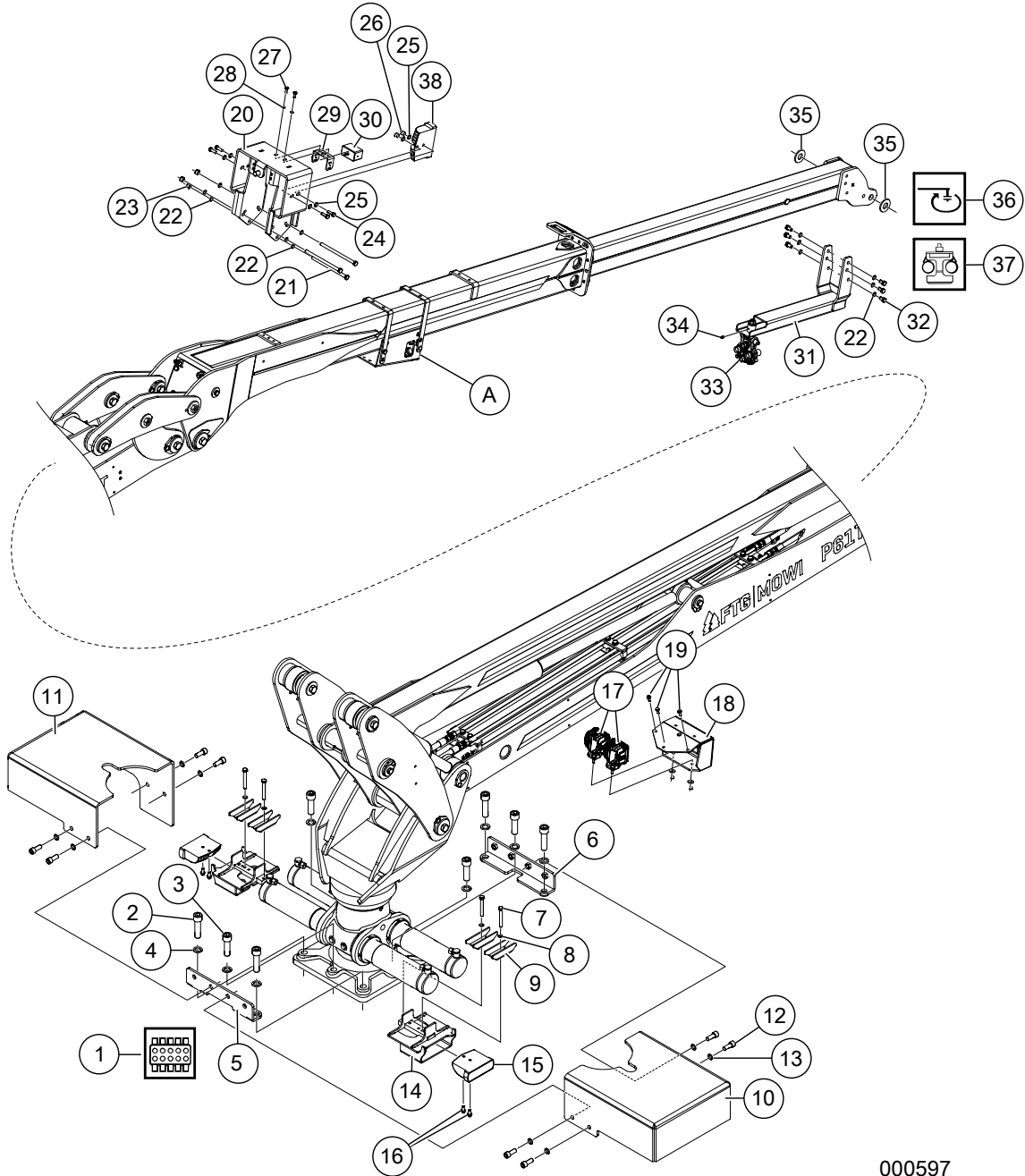


000565

Crane P40T harvester with extension

Pos	Art.	Qty.	Description	Remarks
		1 pc	Axle	See <i>Axle</i> , page 145.
44		1 pc	Harvester head Log Max 928	See
		1 pc	Harvester head Log Max 2000T	See <i>Log Max 2000T, felling link</i> , page 225
			HOSES	
1-A	TS-131300	1 pc	Hydraulic hose	1/2" L=3000 R-R. Lift cylinder
	TS-131290	1 pc	Hydraulic hose	1/2" L=2900 R-R. Lift cylinder
A	TS-128035	2 pcs	Hydraulic hose	3/8" L=350 R1/2"-R. Lift cylinder
	TS-128065	2 pcs	Hydraulic hose	3/8" L=650 R1/2"-R. Lift cylinder
1-B	TS-131315	2 pcs	Hydraulic hose	1/2" L=3150 R-R. Tilt cylinder
1-27	TS-111460	2 pcs	Hydraulic hose	1/4" L=4600 R-R
27-C	TS-113200	2 pcs	Hydraulic hose	1/4" L=2000 R-45. Extension cylinder
27-34	TS-111500	1 pc	Hydraulic hose	1/4" L=5000 R-R. Urea
	TS-131500	1 pc	Hydraulic hose	1/2" L=5000 R-R. Overflow
	TS-141500	1 pc	Hydraulic hose	5/8" L=5000 R-R. Electrical
	TS-151500	1 pc	Hydraulic hose	3/4" L=5000 R-R. Pressure.
	TS-151500	1 pc	Hydraulic hose	3/4" L=5000 R-R. Return
34-41/ 42			Hydraulic hose	See <i>Log Max 2000T, felling link</i> , page 225
41/42- 43			Hydraulic hose	See <i>Log Max 2000T, felling link</i> , page 225

Crane P61T harvester with extension

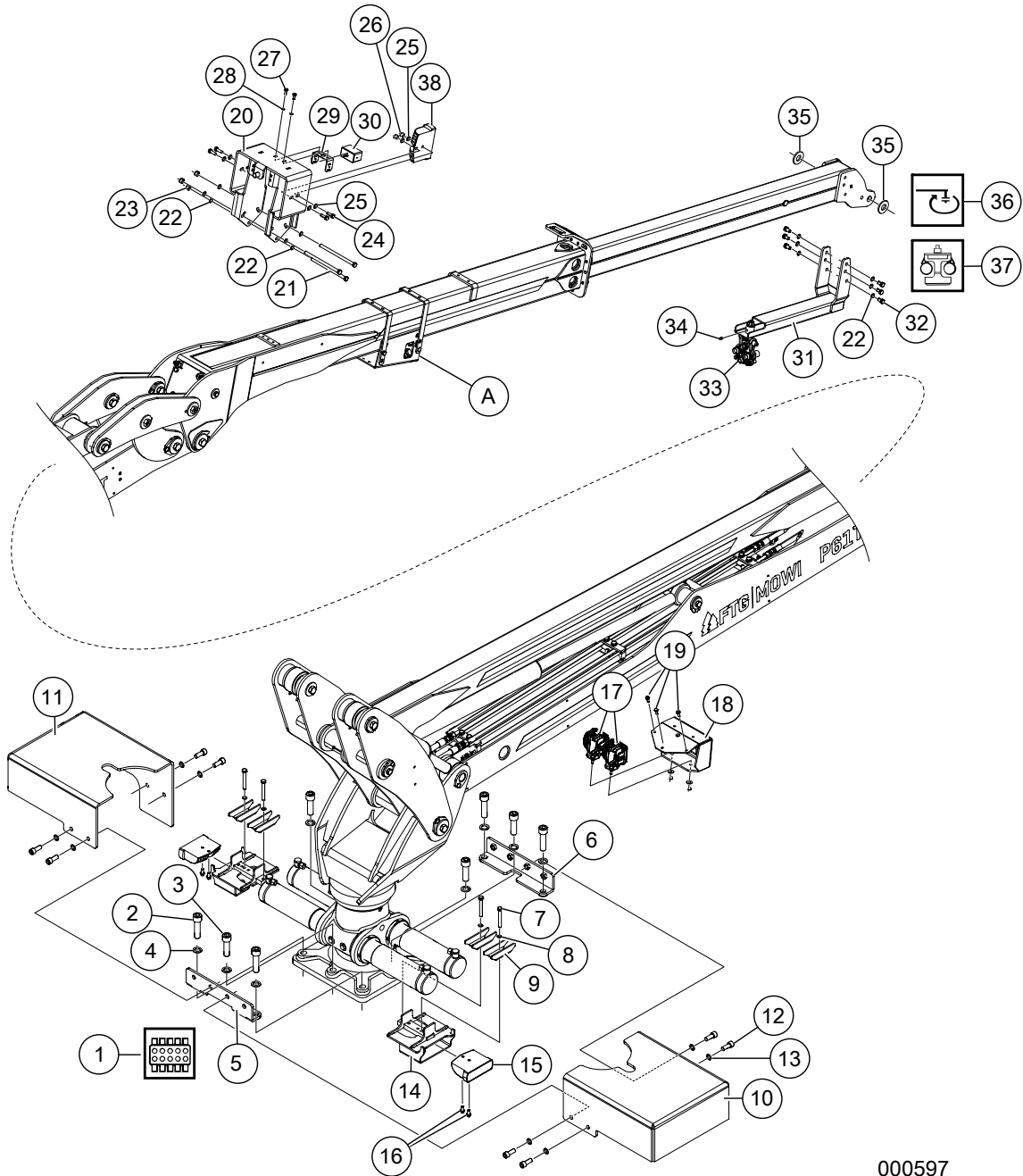


000597

Crane P61T harvester with extension

Pos	Art.	Qty.	Description	Remarks
				The parts below are modified by Terri, for other spare parts see the sub-supplier documentation for crane P61T.
1		1 pc	Crane valve	See <i>Crane valve with connections</i> , page 101.
2	KT-267861	4 pcs	Hex screw	MC6S 24x90 10.9 FZB
3	KT-267859	4 pcs	Hex screw	MC6S 24x80 10.9 FZB
4	K6163-00	8 pcs	Nordlock washer	M24
5	TE-702041	1 pc	Bracket	Front
6	TE-701767	1 pc	Bracket	Rear
7	09-267515	4 pcs	Screw	M6S 12x90 8.8 FZB
8	K6163-000	4 pcs	Nordlock washer	M12
9	TE-702811	4 pcs	Bracket	
10	TE-703474	1 pc	Guard, slewing cylinder	Left
11	TE-703473	1 pc	Guard, slewing cylinder	Right
12	KT-6067-280	8 pcs	Hex screw	MC6S 16X40 12.9 UNTR.
13	K6163-002	8 pcs	Nordlock washer	M16
14	TE-702778	2 pcs	Guard work lights	
15	KT-791146	2 pcs	Work light	LED
16	K6077-001	13 pcs	Flange screw	M6SF 10X20 8.8 FZB
17	KT-791045	2 pcs	Work lights	LED
18	TE-701740	1 pc	Lamp guard crane foot	
19	09-266036	6 pcs	Flange screw	M6SF 8x20 8.8 FZB
20	TE-703464	1 pc	Bracket	
21	09-267589	3 pcs	Screw	M6S 12x200 8.8 FZB
22	K6163-000	12 pcs	Nordlock washer	NL M12
23	K6135-1	3 pcs	Lock nut	M6M 12 Nyloc
24	K6077-02	4 pcs	Screw	M6S 10x30 8.8 FZB
25	K6152	8 pcs	Flat washer	BRB M10 FZB
26	K6135	4 pcs	Lock nut	LM6M 10 8 FZB
27	K6075	2 pcs	Screw	M6S 8x20 8.8 FZB
28	K6163-004	2 pcs	Nordlock washer	NL M8
29	TE-702438	1 pc	Mount	
30	KT-791116-2	1 pc	Camera/Reversing camera	HD
31	TE-703460	1 pc	Hose bracket	P61T
32	K6077-114	6 pcs	Screw	M6S 12x20 8.8 FZB
33	TE-702862	1 pc	Hose bracket	
	TE-702858	1 pc	Pivot pin	
	TE-702860	1 pc	Washer	

Crane P61T harvester with extension

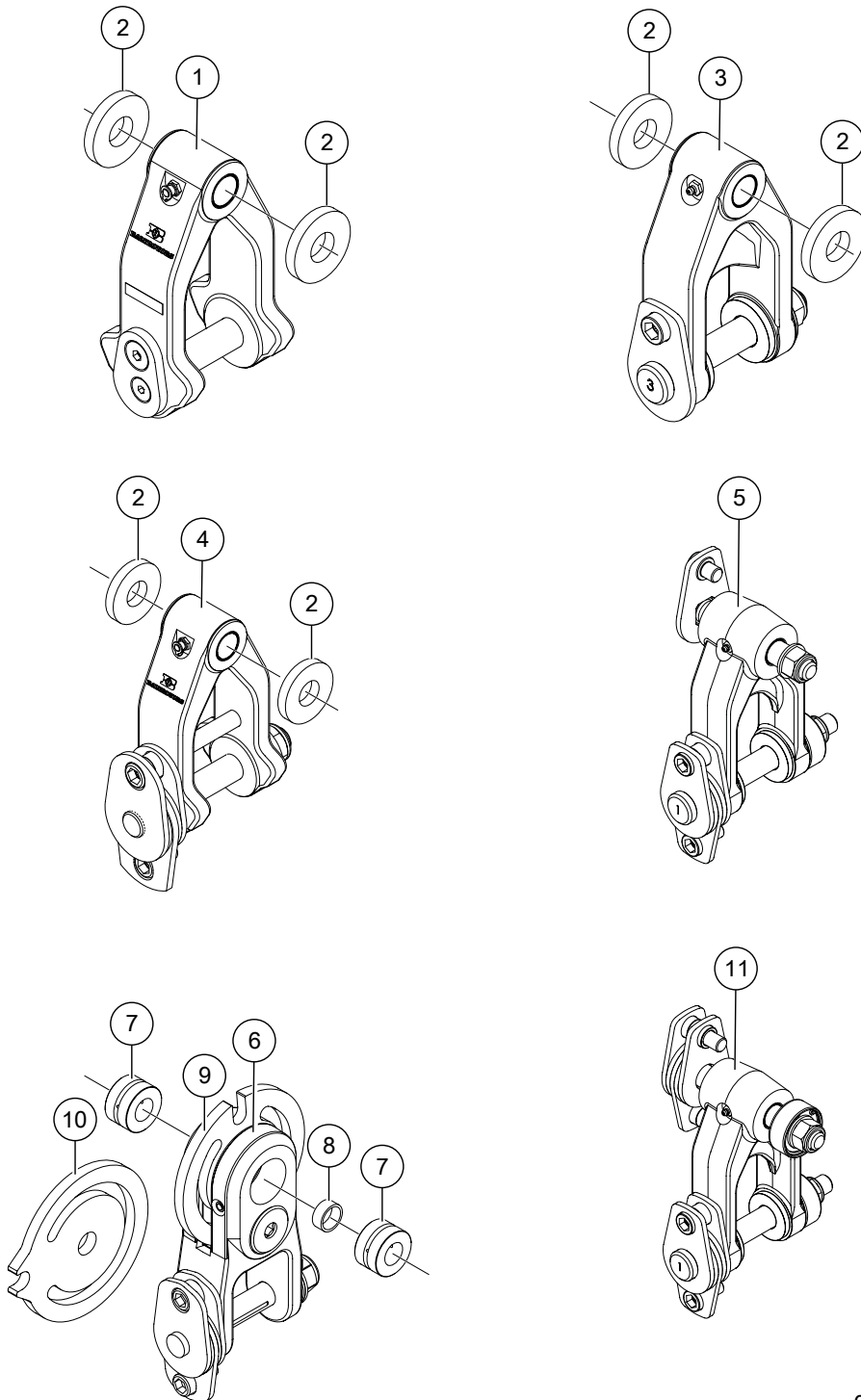


000597

Crane P61T harvester with extension

Pos	Art.	Qty.	Description	Remarks
	TE-702865	2 pcs	Spacer	
	09-267087	2 pcs	Flanged bearing	
	09-267515	1 pc	Screw	M6S 12x90 8.8 FZB
	K6135-1	2 pcs	Lock nut	LM6M 12 8 FZB
	K-6152-050	2 pcs	Flat washer	BRB M12 FZB
	KT-70900404	3 pcs	Bulkhead connector	1/4"UF-1/4"UF
	KT-70900808	1 pc	Bulkhead connector	1/2"UF-1"UF
	KT-70901010	1 pc	Bulkhead connector	5/8"UF-5/8"UF
	KT-70901212	2 pcs	Bulkhead connector	3/4"UF-3/4"UF
34	KT-4600-100	1 pc	Grease nipple, straight	M6
35	TE-703212	2 pcs	Spacer	Crane tip
36		1 pc	Rotator	See <i>Rotator</i> , page 147.
		1 pc	Link	See <i>Link/Slewing damper</i> , page 141.
		1 pc	Axle	See <i>Axle</i> , page 145.
37		1 pc	Harvester head Log Max 2000T	See <i>Log Max 2000T, felling link</i> , page 225
38	KT-791551	2 pcs	Work lights	LED
			HOSES	
A-33			Hydraulic hose	See <i>Log Max 2000T, felling link</i> , page 225
33-36			Hydraulic hose	See <i>Log Max 2000T, felling link</i> , page 225
33-37			Hydraulic hose	See <i>Log Max 2000T, felling link</i> , page 225

Link/Slewing damper

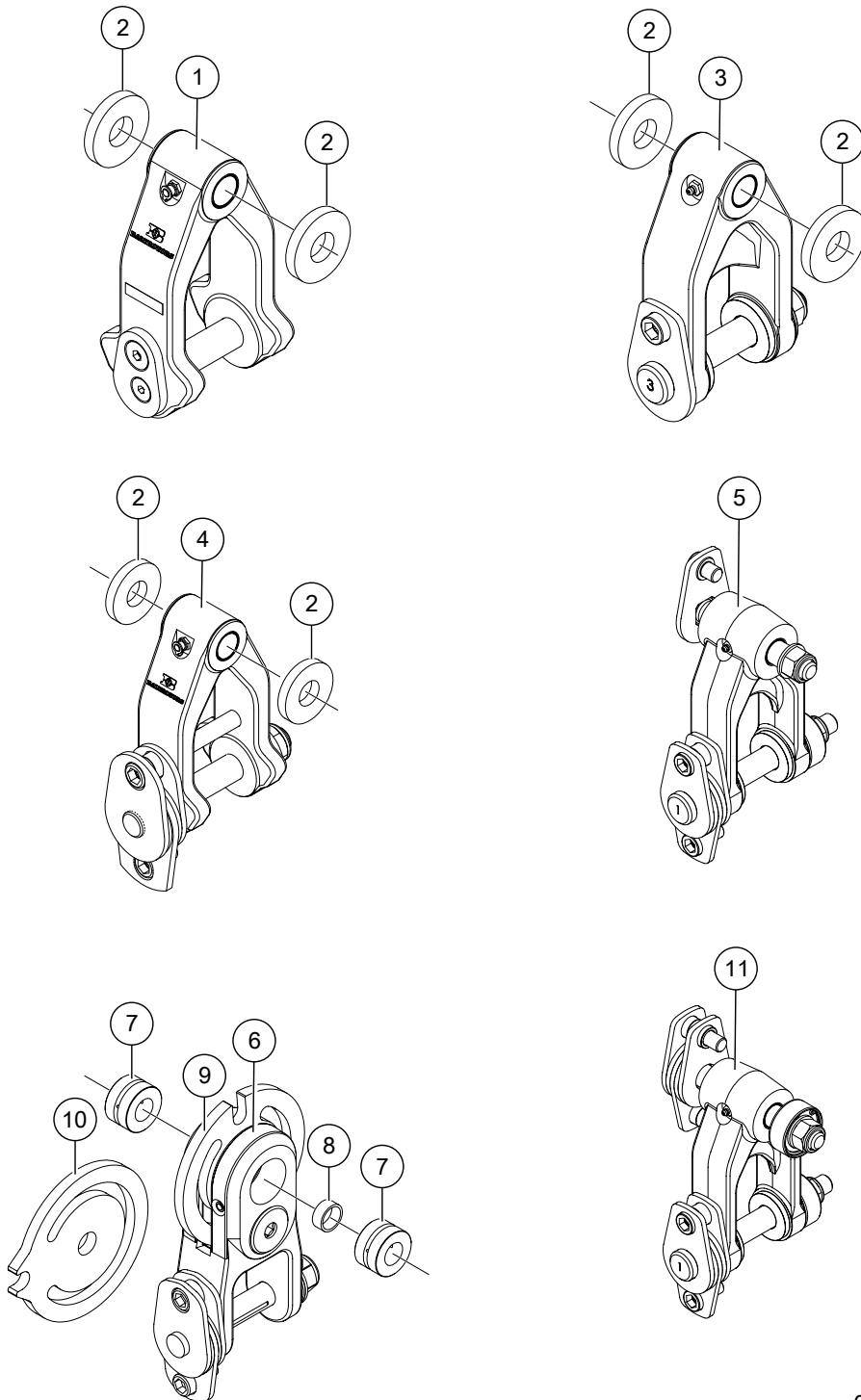


000566

Link/Slewing damper

Pos	Art.	Qty.	Description	Remarks
1	KT-790636	1 pc	Link	Unbraked
-	KT-791419	2 pcs	Bushing	
2	KT-791435	2 pcs	Spacer	T=10 mm. At crane tip 80 mm.
3	KT-791422	1 pc	Link	Unbraked
-	KT-791337-10	2 pcs	Bushing	
-	KT-791422-1	1 pc	Axle	Kit, lower - Unbraked
-	KT-791422-2	1 pc	Axle	Kit, upper - Unbraked
-	KT-791422-3	1 pc	Bolt kit	Unbraked
4	KT-MB21755	1 pc	Link	Single braked
-	KT-791419	2 pcs	Bushing	
-	KT-790539	1 pc	Axle with brake	
-	KT-791493	1 pc	Plate for brake	
-	KT-790540	1 pc	Plate with brake	
5	KT-791421	1 pc	Link	Single braked
-	KT-791337-10	2 pcs	Bushing	
-	KT-791422-2	1 pc	Axle	Kit, upper - Unbraked
-	KT-791422-3	1 pc	Bolt kit	Upper axle - Unbraked
-	KT-791337-1	1 pc	Brake pad	Kit
-	KT-791337-8	1 pc	Axle	Kit, lower - Braked
-	KT-791337-4	1 pc	Bolt kit	Upper, lower axle - Brake
-	KT-791337-5	1 pc	Bolt kit	Lower, lower axle - Brake
-	KT-791337-6	1 pc	Washer kit	
-	KT-791337-7	1 pc	Washer	Magnetic
6	KT-790995	1 pc	Link	Dual braked
-	KT-790995-1	2 pcs	Brake pad	
-	KT-790685-1	2 pcs	Brake pad	
-	KT-790685-3	1 pc	Pin	
7	TE-701949	2 pcs	Bushing	
-	KT-791342	2 pcs	Bushing	Applies to machine 53. D=30
8	TE-701950	1 pc	Spacer ring	
9	KT-790995-4	1 pc	Brake disc	Combi
10	TE-702774	1 pc	Brake disc	Harvester
11	KT-791337	1 pc	Link	Dual braked
-	KT-791337-10	2 pcs	Bushing	
-	KT-791337-1	2 pcs	Brake pad	Kit
-	KT-791337-2	1 pc	Bolt kit	Upper, upper axle - Brake

Link/Slewing damper

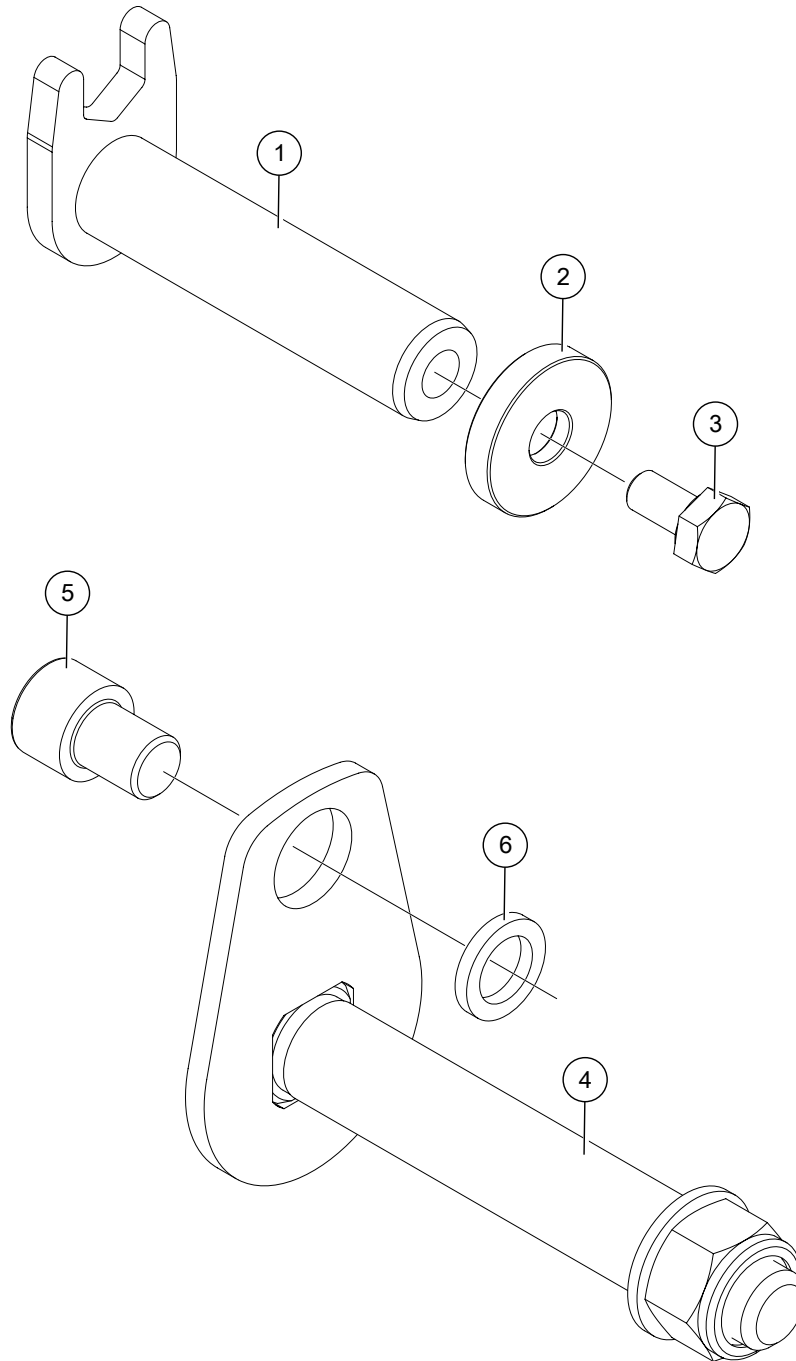


000566

Link/Slewing damper

Pos	Art.	Qty.	Description	Remarks
-	KT-791337-3	1 pc	Bolt kit	Lower, upper axle - Brake
-	KT-791337-4	1 pc	Bolt kit	Upper, lower axle - Brake
-	KT-791337-5	1 pc	Bolt kit	Lower, lower axle - Brake
-	KT-791337-6	1 pc	Washer kit	
-	KT-791337-7	2 pcs	Washer	Magnetic
-	KT-791337-8	1 pc	Axle	Kit, Lower - Brake
-	KT-791337-9	1 pc	Axle	Kit, Upper - Brake

Axle

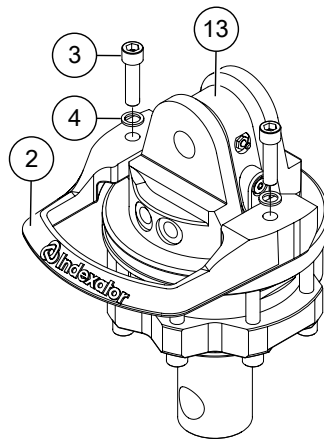
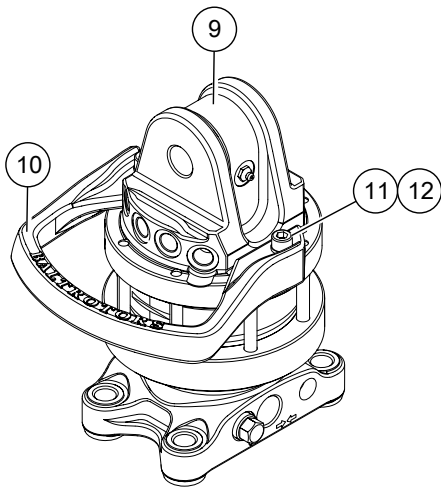
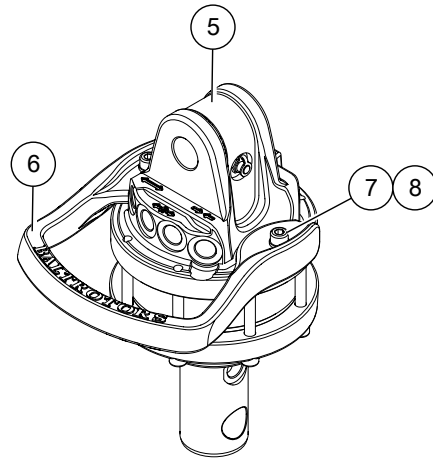
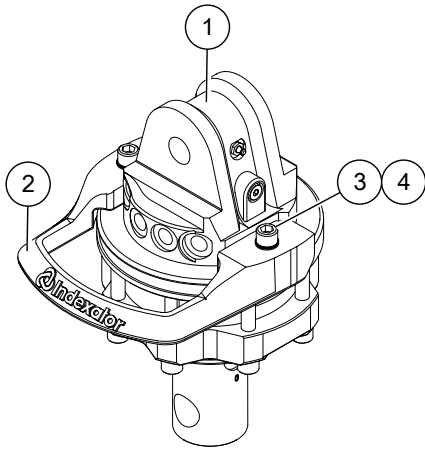


000574

Axle

Pos	Art.	Qty.	Description	Remarks
1	KT-791052	1 pc	Axle	
2	KT-790531	1 pc	Locking washer	
3	K6077-114	1 pc	Screw	M6S 12x20 8.8 FZB
4	KT-791432	1 pc	Axle	
5	09-267641	1 pc	Hex screw	MC6S 16x20 8.8 FZB
6	K6163-002	1 pc	Nordlock washer	M16

Rotator



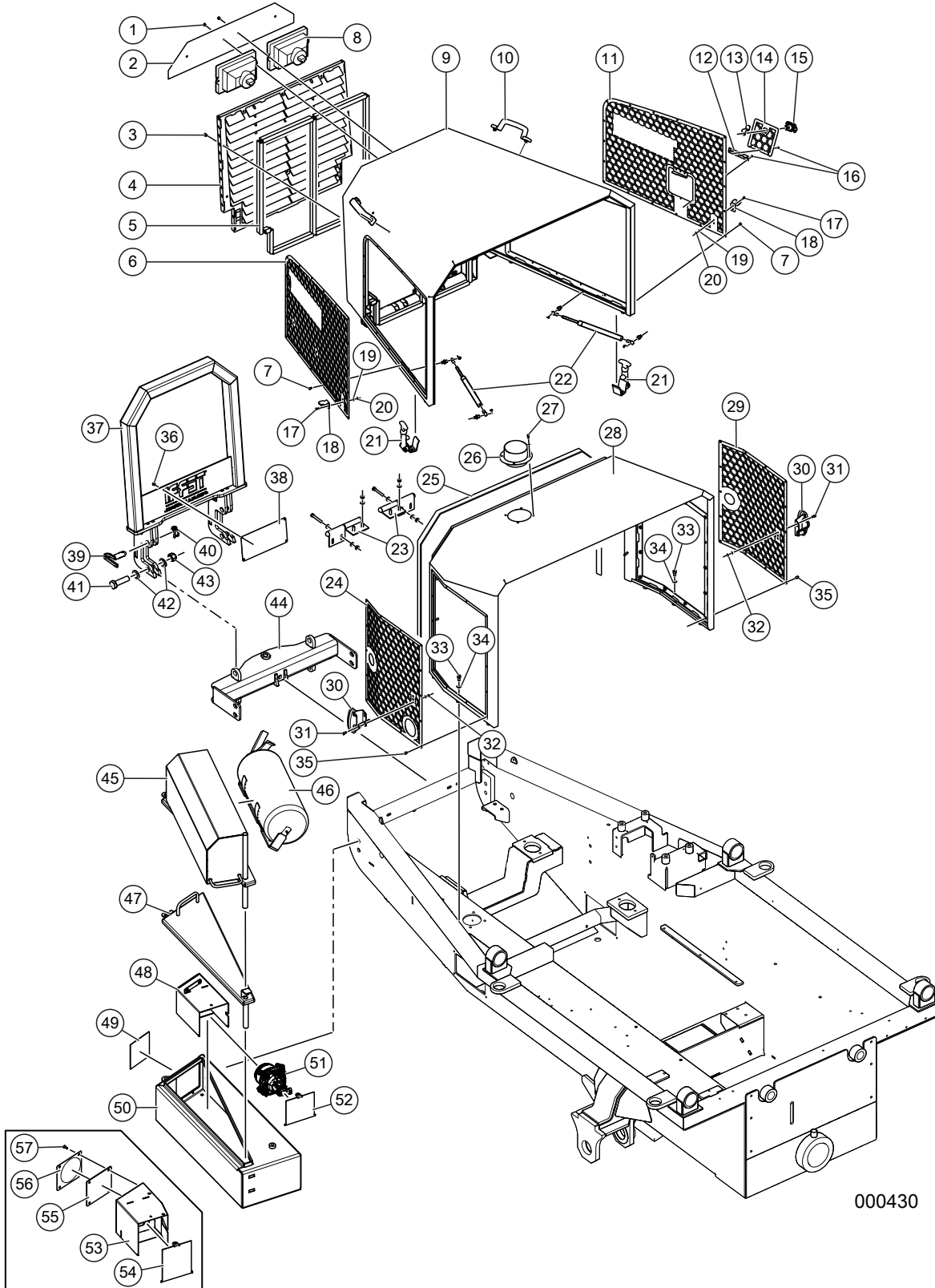
000567

Rotator

Pos	Art.	Qty.	Description	Remarks
1	TE-703517	1 pc	Rotator	Combi. Ø63
	KT-790837-2	1 pc	Gasket kit	
2	KT-790837-1	1 pc	Hose guard	
3	KT100079	2 pcs	Hex screw	MC6S 12x45 12.9 UNTR
4	K6163-000	2 pcs	Nordlock washer	M12
5	KT-790515	1 pc	Rotator	Forwarder. Ø50
	KT-790515-1	1 pc	Gasket kit	
6	KT-790516	1 pc	Hose guard	
7	KT-6067-290	2 pcs	Hex screw	MC6S 8x30 12.9 OBEH
8	K6162-01	2 pcs	Spring washer	FBB M8
9	KT-791159	1 pc	Rotator	Combi/Forwarder. Ø63
	TE-791159	1 pc	Gasket kit	
10	KT-791240	1 pc	Hose guard	
11	K6067-19	2 pcs	Hex screw	MC6S 10x30 FZB
12	K6162-02	2 pcs	Spring washer	FBB 10
13	TE-703518	1 pc	Rotator	Harvester
	KT-790837-2	1 pc	Gasket kit	

6 FRAME AND BODY

Hood, hinges and battery shelf

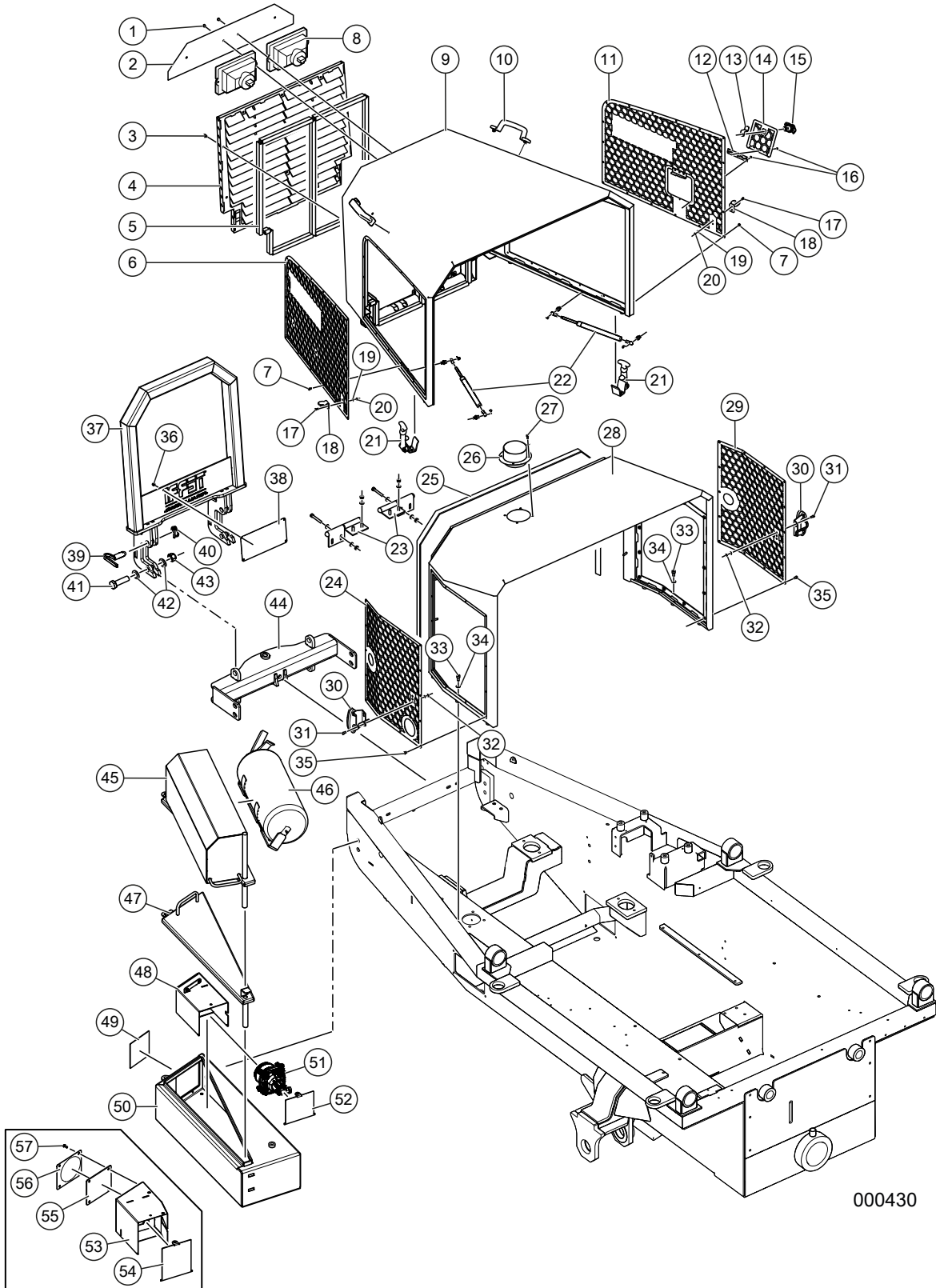


000430

Hood, hinges and battery shelf

Pos	Art.	Qty.	Description	Remarks
1	K6062-1	4 pcs	Hex screw	MC6S 6x12 FZB
2	TE-702614	1 pc	Cover plate behind grille	
3	81-0249-FZB	6 pcs	Hex screw	MC6S 6x10 FZB
4	TE-702653	1 pc	Grille	
5	T3999042	3 m	Edge moulding	
6	TE-702584	1 pc	Cover plate	Left
7	K6062-02	50 pcs	Hex screw	MC6S 5x10 FZB
8		2 pcs	Headlight	See <i>Lighting and wiper motors</i> , page 223
-		2 pcs	Bulb H4 12V	See <i>Lighting and wiper motors</i> , page 223
9	TE-702544	1 pc	Hood	Front
	TE-702546	2 pcs	Hinge bracket	
10	KT-890056	2 pcs	Pull handle	
11	TE-702647	1 pc	Cover plate	Right
12	TE-702651	1 pc	Hinge	
13	TE-702648	1 pc	Locking hook, hood	
14	TE-702639	1 pc	Hatch	
15	KT-791284	1 pc	Compression lock	
16	K6206-06	6 pcs	Rivet	3.2X8 Al/St BLACK
17	09-267804	4 pcs	Screw	M6S 4x10
18	KT-0146.125	2 pcs	Hood lock	
19	09-267054	4 pcs	Flat washer	BRB M4
20	K6133-1	4 pcs	Lock nut	Nyloc M4 FZB
21	KT-0146.125	2 pcs	Hood lock	
22	T53033	2 pcs	Gas cylinder, hood	
	T6493506	4 pcs	Swivel joint	M6/M8
	09-267024	4 pcs	Bracket, ball fitting	M8
23	TE-710019	1 pc	Hood hinge	Kit
-	TE-700347	2 pcs	Hood hinge	Hood section
-	TE-700348	2 pcs	Hood hinge	Chassis
	09-266195	4 pcs	Flange screw	M6SF 8x60 8.8 FZB
	09-265139	12 pcs	Flat washer	BRB M8
	K6134	8 pcs	Lock nut	LM6M M8 8 FZB
24	TE-702601	1 pc	Cover plate	Left. For fuel cap KT-1021813.
	TE-702601-1	1 pc	Cover plate	Left. For fuel cap KT-791533. Up to machine T24-007
	TE-702601-1	1 pc	Cover plate	Left. For fuel cap KT-791534. From machine T24-008
25	K7604-21	LM	Sealing strip	20x4

Hood, hinges and battery shelf

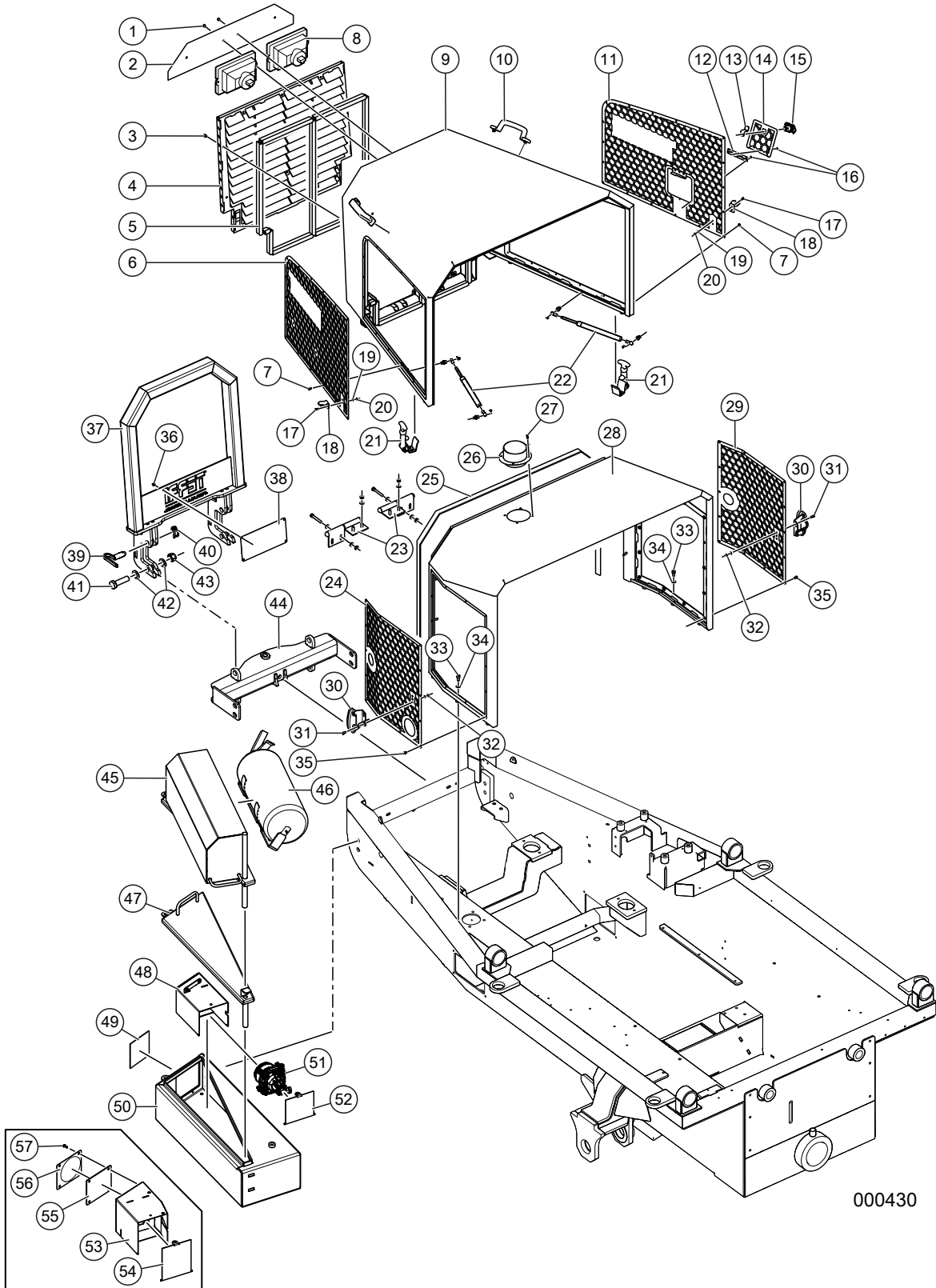


Hood, hinges and battery shelf

Pos	Art.	Qty.	Description	Remarks
26		1 pc	Duct intake	- See <i>Air and fuel filter</i> , page 31.
27	09-267710	4 pcs	Flange screw	M6S 5x12 8.8 FZB
28	TE-702513	1 pc	Rear engine hood	Incl. item 26 and 32
29	TE-702600	1 pc	Cover plate	Right
30	KT-791103	2 pcs	Positioning light	LED. White with reflector
31	K6065-601	4 pcs	Hex screw	MC6S 5x16 8.8 FZB
32	09-267591	4 pcs	Lock nut	LM6M M5
33	K6065	6 pcs	Hex screw	MC6S 8x16
34	K6151	6 pcs	Flat washer	BRB M8
	TE-701235	6 pcs	Spacer engine hood	
35	K6068-071	14 pcs	Screw	K6S 6x12
36	K6062-1	4 pcs	Hex screw	MC6S 6X12 FZB
37	TE-701977	1 pc	Bar, foldable	Extra equipment
38	TE-701391	1 pc	Cover plate for grille logo	Machine with bull bar
39	TE-701982	2 pcs	Pin	
40	KT-123120	2 pcs	Pin	TRSP 6x42
41	09-265439	2 pcs	Screw	M6S 20X80 8.8 FZB
42	K6152-07	4 pcs	Flat washer	BRB M20 FZB
43	K6135-12	2 pcs	Lock nut	Nyloc M20
44	TE-701985	1 pc	Drawbar	
	TE-700409	1 pc	Pin for drawbar	
45	TE-702285	1 pc	Cover with bracket for fire extinguisher	Left. Machine with additional fire extinguisher
	TE-702284	1 pc	Cover with bracket for fire extinguisher	Right. Machine with additional fire extinguisher
46	KT-791177	2 pcs	Fire extinguisher	Foam 9 kg. Machine with additional fire extinguisher
47	TE-701820	1 pc	Lid	Left
	TE-701881	1 pc	Lid	Right
48	TE-701849	1 pc	Lamp housing	Left. Machine with relocated headlights. Up to machine T23-028. Not T23-024
	TE-701884	1 pc	Lamp housing	Right. Machine with relocated headlights. Up to machine T23-028. Not T23-024
49	KT-701858	2 pcs	Lamp glass	Machine with relocated headlights. Up to machine T23-028. Not T23-024
	TE-702047	2 pcs	Cover plate for lamp in tool box	Machine without relocated headlights. Up to machine T23-028. Not T23-024
50	TE-701813	1 pc	Toolbox	Left
	TE-701862	1 pc	Toolbox	Right
51	KT-791118	2 pcs	High/low beam headlight 12/24V	Machine with relocated headlights, see <i>Lighting and wiper motors</i> , page 223
		2 pcs	H7 bulb, 12V	See <i>Lighting and wiper motors</i> , page 223

	KT-791118-1	1 pc	Assembly kit	
52	TE-701857	2 pcs	Cover lamp housing	Up to machine T23-028. Not T23-024

Hood, hinges and battery shelf

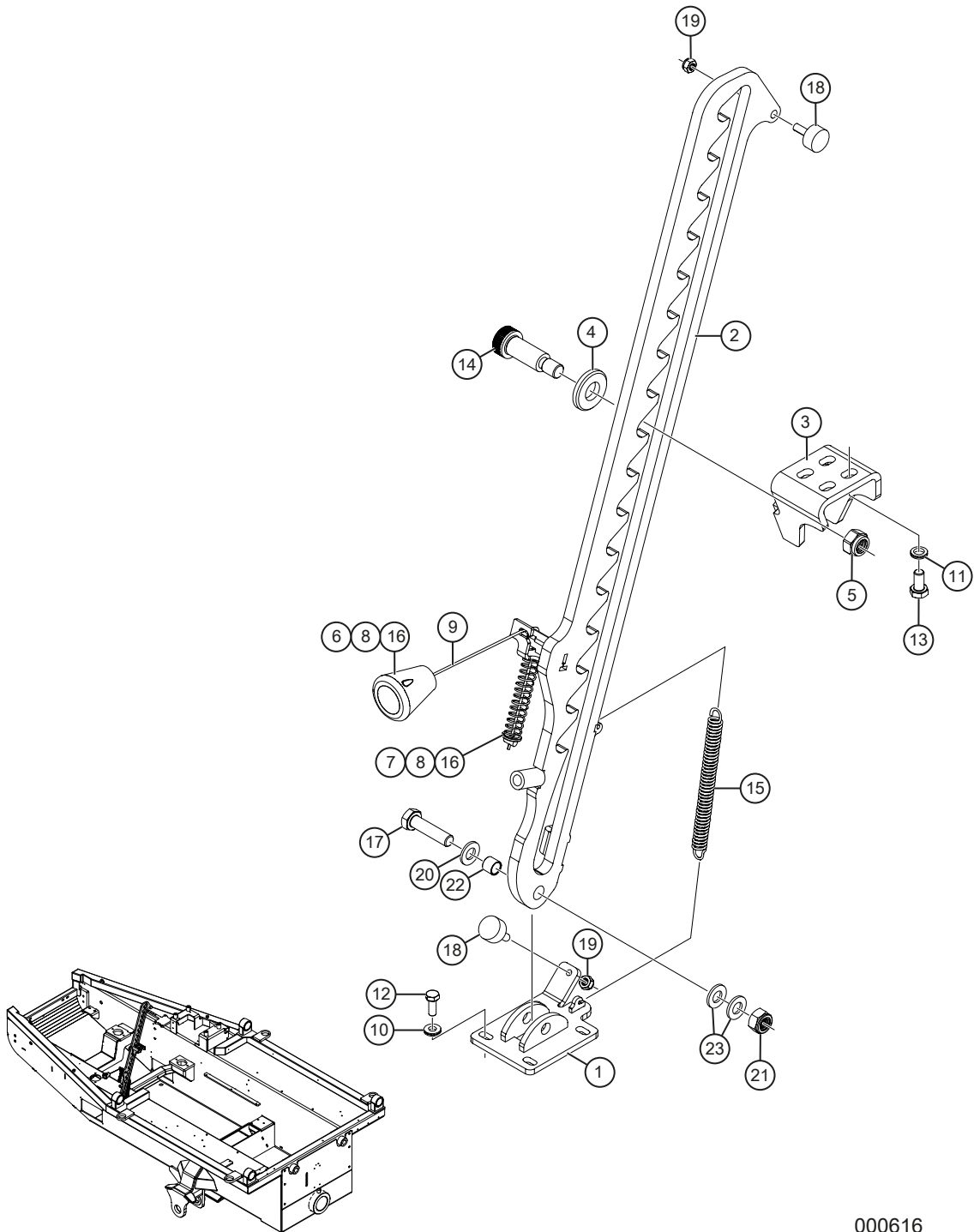


000430

Hood, hinges and battery shelf

Pos	Art.	Qty.	Description	Remarks
53	TE-703367	1 pc	Lamp housing	Left. Machine with relocated headlights. From T23-024. Not T23-025, T23-026, T23-027 and T23-028.
	TE-703368	1 pc	Lamp housing	Right. Machine with relocated headlights. From T23-024. Not T23-025, T23-026, T23-027 and T23-028.
54	TE-703380	2 pcs	Cover lamp housing	Machine with relocated headlights. From T23-024. Not T23-025, T23-026, T23-027 and T23-028.
	K6077-08	2 pcs	Screw	M6S 6x10 8.8 FZB
	KT-785036	2 pcs	Nordlock washer	M6
55	KT-703374	2 pcs	Lamp glass	From T23-024. Not T23-025, T23-026, T23-027 and T23-028.
56	703375	2 pcs	Sheet metal cover	From T23-024. Not T23-025, T23-026, T23-027 and T23-028.
57	81-0483-FZB	16 pcs	Screw	K6S 6x16 FZB. From T23-024. Not T23-025, T23-026, T23-027 and T23-028.

Cab lock

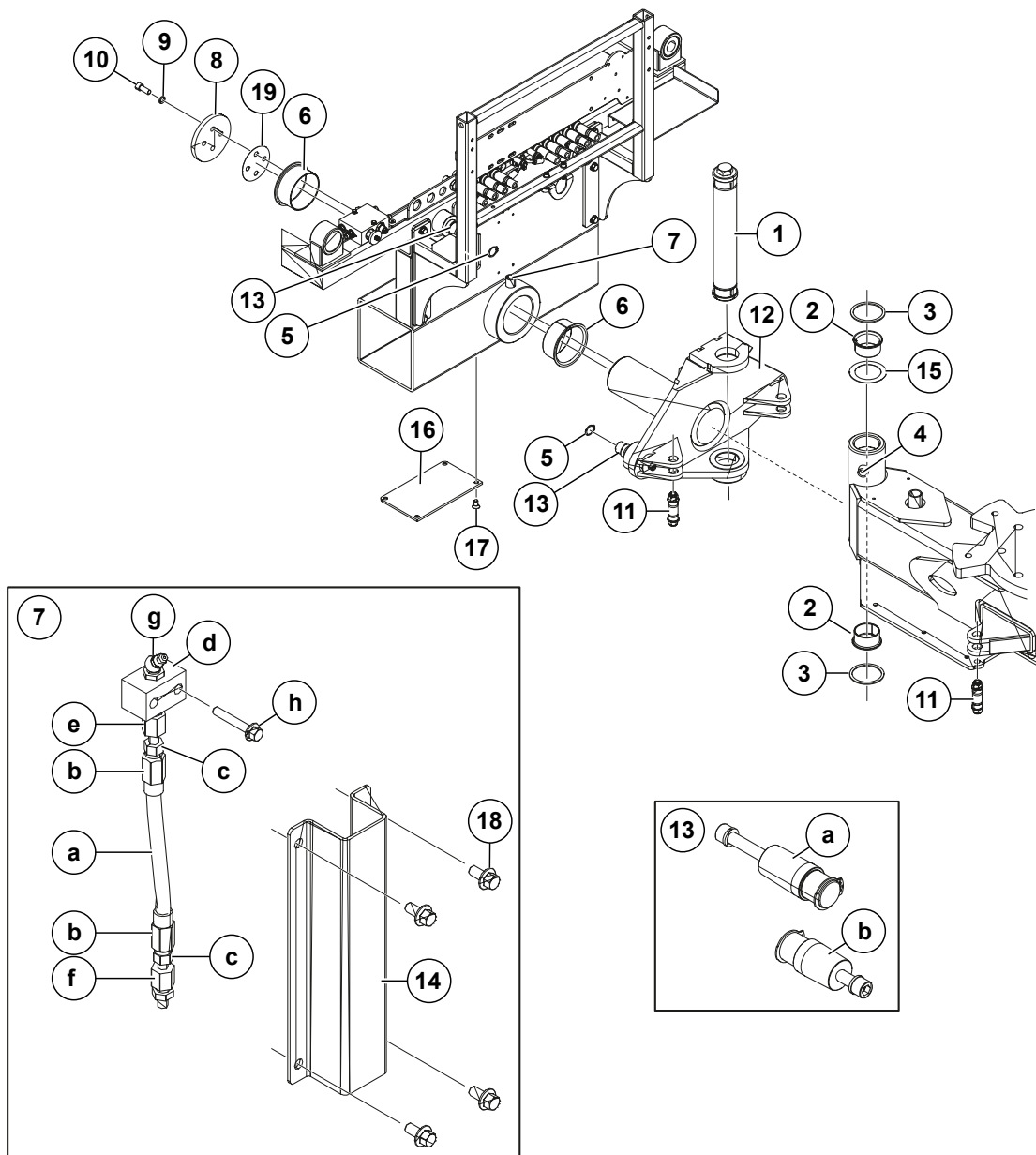


000616

Cab lock

Pos	Art.	Qty.	Description	Remarks
	TM-702945		Cab lock	Complete. First machine T23-016.
1	TE-702936	1 pc	Bracket	
2	TE-702932	1 pc	Arm	
3	TE-702946	1 pc	Bracket	
4	TE-702944	1 pc	Plastic washer	
5	K6135-1	1 pc	Lock nut	M6M 12 Nyloc
6	09-267315	1 pc	Tapered knob	
7	09-267313	1 pc	Compression spring	
8	KT-791381	2 pcs	Locking nipple	10x5.5x2
9	K6626-61	1 pc	Steel wire	Ø2
10	09-267189	4 pcs	Locking washer	Nordlock M6
11	K6163-004	4 pcs	Locking washer	Nordlock M8
12	KT-6070-03	4 pcs	Screw	M6S 6x16 8.8 FZB
13	K6074-09	4 pcs	Screw	M6S 8x16 8.8 FZB
14	09-267316	1 pc	Reamed bolt	16x35/M12 12.9
15	09-267314	1 pc	Tension spring	1.8x12x87.2
16	KT-702954	2 pcs	Assembly washer	T=2
17	K6078-02	2 pcs	Screw	M6S 10x40 8.8 FZB
18	KT-791380	2 pcs	Shock absorber	
19	K6133	1 pc	Lock nut	M6M 6 Nyloc
20	K6152	1 pc	Flat washer	BRB M10 FZB
21	K6135	1 pc	Lock nut	M6M 10 Nyloc
22	KT-791379	1 pc	Sliding bearing	10/12x10
23	TE-703133	2 pcs	Thrust washer	20x10.3x2 Bronze

Frame joint/Steering joint

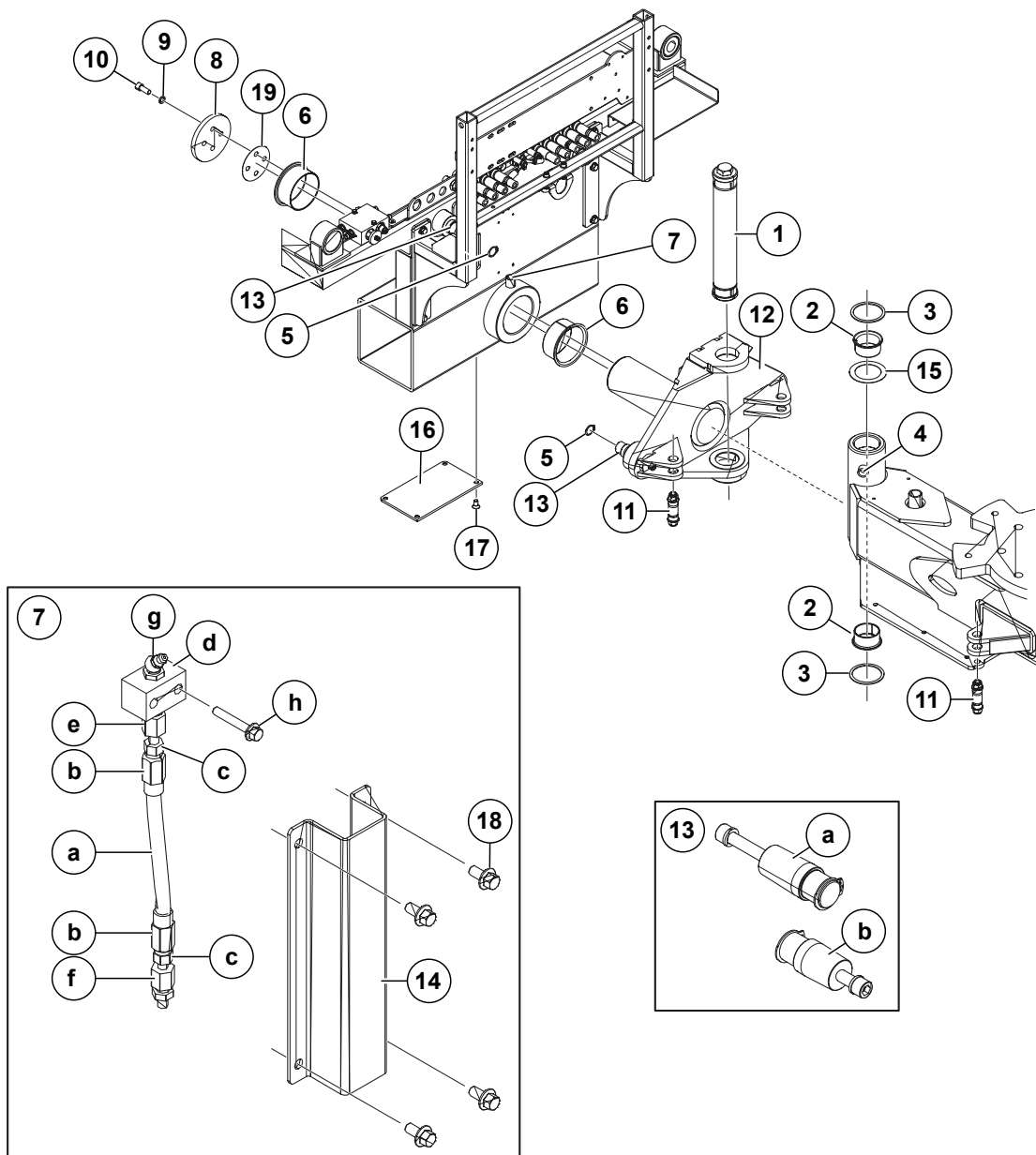


000575

Frame joint/Steering joint

Pos	Art.	Qty.	Description	Remarks
1	KT-790989	1 pc	Expander shaft	Tightening torque 500 Nm
-	KT-790989-1	1 pc	Sleeve	Std
-	KT-790989-3	1 pc	Washer	
-	KT-790989-4	1 pc	KM nut	Tightening torque 500 Nm
-	KT-790989-5	1 pc	Screw	M24 HEX 36
	KT-790989-2	1 pc	Sleeve	TDC
2	KT-50542	2 pcs	Bushing	
3	KT-701010	2 pcs	Thrust washer	
4	KT-4600-100	1 pc	Grease nipple	Straight M6
5	09-268054	2 pcs	Retaining ring	SGA 30
6	KT-50541	2 pcs	Bushing, tension bearing	
7	TE-710023	1 pc	Extended grease nipple	Complete
7a	KT-2410010103	0.11 m	High-pressure hose	Included in TE-710023
7b	KT-2420002203	2 pcs	Screw sleeve for high-pressure hose	Included in TE-710023
7c	KT-2420200620	2 pcs	Straight pipe socket	Included in TE-710023
7d	KT-2435200201	1 pc	Grease panel	Included in TE-710023
7e	KT-61710602	1 pc	Straight coupling	R ext. Included in TE-710023
7f	KT-61720606	1 pc	Straight coupling	MK ext. Included in TE-710023
7g	KT-59020009	1 pc	Grease nipple	45 degree 1/8". Included in TE-710023
7h	81-0239	2 pcs	Screw	MF6S 5x30 FZB. Included in TE-710023
8	TE-700091	1 pc	Drag washer	
9	K6163-000	4 pcs	Nordlock washer	M12
10	KT-6067-270	4 pcs	Hex screw	MCS65 12x30 12.9 Untr. Use lock fluid and torque XX Nm
11	KT-790990	4 pcs	Expander shaft	Steering cylinder
-	KT-790990-1	4 pcs	Sleeve	Std
-	KT-790990-3	4 pcs	Flange nut	M6MF 14
	KT-790990-2	4 pcs	Sleeve	TDC
12	TE-701000	4 pcs	Hitch pin for relocated articulated lock	
13	TE-710205	2 pcs	Repair kit	1 kit per cylinder. Replaces TE-710131
a	KT-703692	1 pc	Cylinder pin	Included in TE-710205
	09-268054	1 pc	Retaining ring	SGA 30. Included in TE-710205
	KT-785011	1 pc	Hex screw	MC6S 12x80 12.9. Included in TE-710205
	K6163-000	1 pc	Nordlock washer	M12 Included in TE-710205
b	KT-703693	1 pc	Cylinder pin	Included in TE-710205
	09-268054	1 pc	Retaining ring	SGA 30. Included in TE-710205
	09-267691	1 pc	Hex screw	MC6S 12x40 12.9. Included in TE-710205

Frame joint/Steering joint

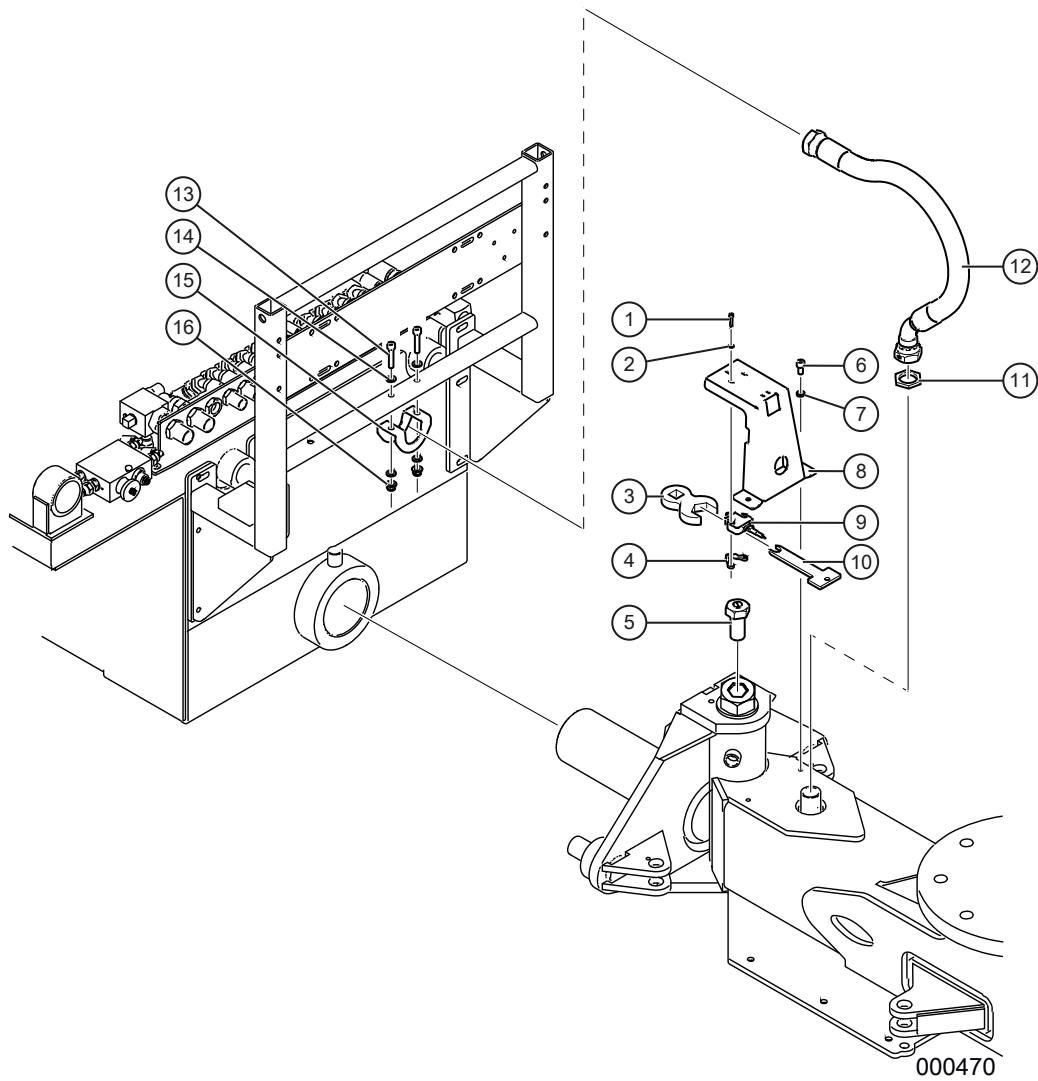


000575

Frame joint/Steering joint

Pos	Art.	Qty.	Description	Remarks
	K6163-000	1 pc	Nordlock washer	M12 Included in TE-710205
14	TE-701847	1 pc	Cover grease hose	
15	TE-701092	1 pc	Shims	T=0.2 mm
	TE-701093	1 pc	Shims	T=0.5 mm
	TE-701094	1 pc	Shims	T=1.0 mm
16	TE-701630	1 pc	Cover hitch pin	
17	K6058-40	4 pcs	Hex screw	MF6S 10x20 8.8 FZB
18	09-265543	4 pcs	Flange screw	M6SF 6x12 8.8 FZB
19	TE-701095	1 pc	Shims	T=0.2
	TE-701096	1 pc	Shims	T=0.5
	TE-701097	1 pc	Shims	T=0.15

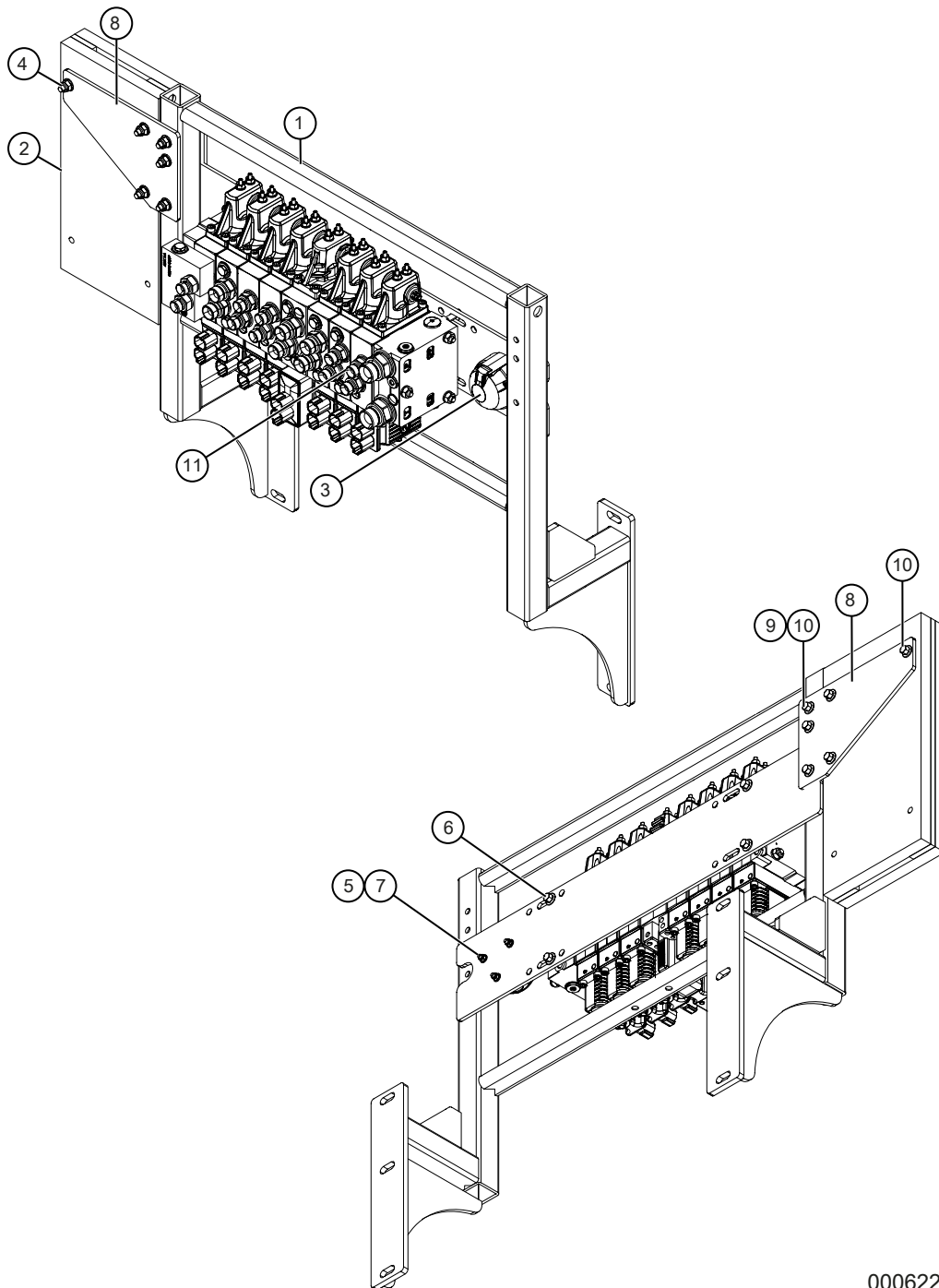
Articulation sensor and protective hose for lighting cable



Articulation sensor and protective hose for lighting cable

Pos	Art.	Qty.	Description	Remarks
1	09-267055	3 pcs	Hex screw	MC6S 4x20 A2
2	09-267054	3 pcs	Flat washer	BRB M4 A2
3	TE-703071	1 pc	Extension for torque wrench	Assembly/adjustment tool
4	TE-702950	1 pc	Screw sheet	
5	TE-702949	1 pc	Bolt with magnet for steering	
6	K6065	2 pcs	Hex screw	MC6S 8X16 FZB
7	K6163-004	2 pcs	Nordlock washer	M8
8	TE-703070	1 pc	Bracket for angle sensor, harvester	
9	KT-791367	1 pc	Angle sensor	
10	TE-702951	1 pc	Centring tool	Assembly/adjustment tool
11	KT-70900016	1 pc	Lock nut	G 1" thread
12	TS-273056	1 pc	Electric hose	L=565 mm
13	K6066	2 pcs	Hex screw	MC6S 8X40 FZB
14	K6151	4 pcs	Flat washer	BRB M8 FZB
15	TE-703754	1 pc	Bracket hose cable guard	Replaces TE-702894
16	09-265605	2 pcs	Flange lock nut	M8 (LM6MF 8 FZB)

Frame valve assembly, without rubber cover

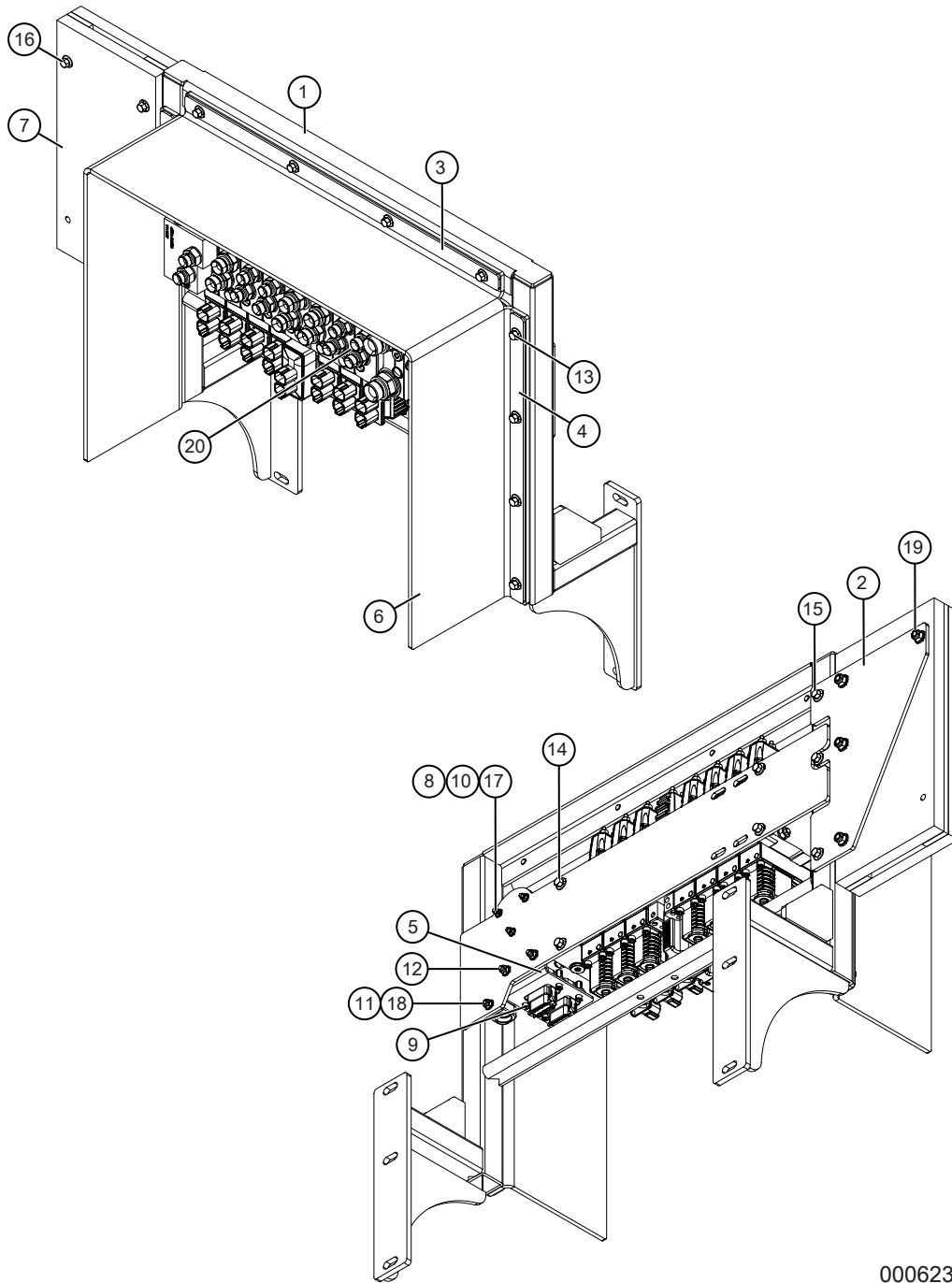


000622

Frame valve assembly, without rubber cover

Pos	Art.	Qty.	Description	Remarks
	TE-710187		Frame valve assembly, without rubber cover	Complete. Up to machine T24-001. Not T23-027.
1	TE-702376	1	Mounting frame valve assembly, without rubber cover	
2	KT-700661	1	Retainer saw box	
3	KT-082002	1	Trailer socket	
4	09-265605	6	Flange lock nut	LM6MF M8 FZB
5	09-266027	3	Flange lock nut	LM6MF M5 FZB
6	K6065-25	4	Hex screw	M6SF 8x20 8.8 FZB
7	09-267326	3	Hex screw	MC6S 5x35 8.8 FZB
8	TE-701441	2	Holder chain saw box	
9	K6151	6	Flat washer	BRB M8 FZB
10	09-267713	6	Flange screw	M6SF 8x70 8.8 FZB
11		1	Crane valve	See <i>Crane valve with connections</i> .

Frame valve assembly, without rubber cover

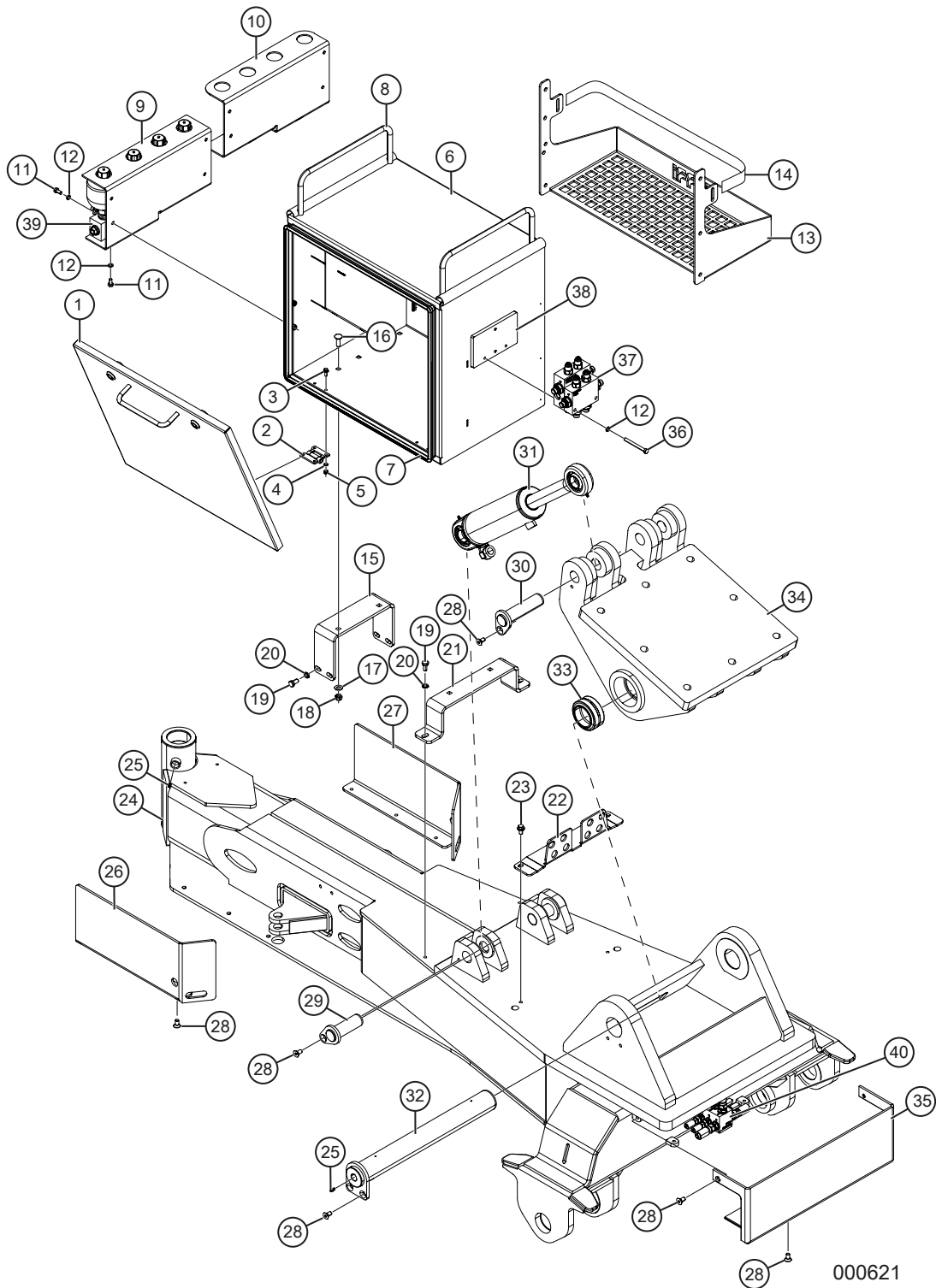


000623

Frame valve assembly, without rubber cover

Pos	Art.	Qty.	Description	Remarks
	TE-710149		Frame valve assembly, without rubber cover	Complete. From machine T24-002. Also T23-027.
1	TE-703447	1	Mounting frame valve assembly, for rubber cover	
2	TE-703451	1	Mounting plate chainsaw holder	
3	TE-703453	1	Mounting plate rubber cover	Upper
4	TE-703452	2	Mounting plate rubber cover	Sida
5	TE-703455	1	Bracket , electrical contact	
6	KT-791465	1	Rubber cover for valve assembly	T=6 mm
7	KT-700661	1	Retainer saw box	
8	KT-082002	1	Trailer socket	
9	K6065-601	4	Hex screw	MC6S 5x16 8.8 FZB
10	09-267326	3	Hex screw	MC6S 5x35 8.8 FZB
11	K6062-11	1	Hex screw	MC6S 6x16 8.8 FZB
12	09-266034	2	Flange screw	M6SF 6x20 8.8 FZB
13	09-266793	12	Flange screw	M6SF 8x16 8.8 FZB
14	09-266036	4	Flange screw	M6SF 8x20 8.8 FZB
15	09-267708	3	Flange screw	M6SF 8x25 8.8 FZB
16	09-266195	4	Flange screw	M6SF 8x60 8.8 FZB
17	09-266027	3	Flange lock nut	LM6MF M5 FZB
18	09-266028	3	Flange lock nut	LM6MF M6 FZB
19	09-265605	4	Flange lock nut	LM6MF M8 FZB
20		1	Crane valve	See <i>Crane valve with connections.</i>

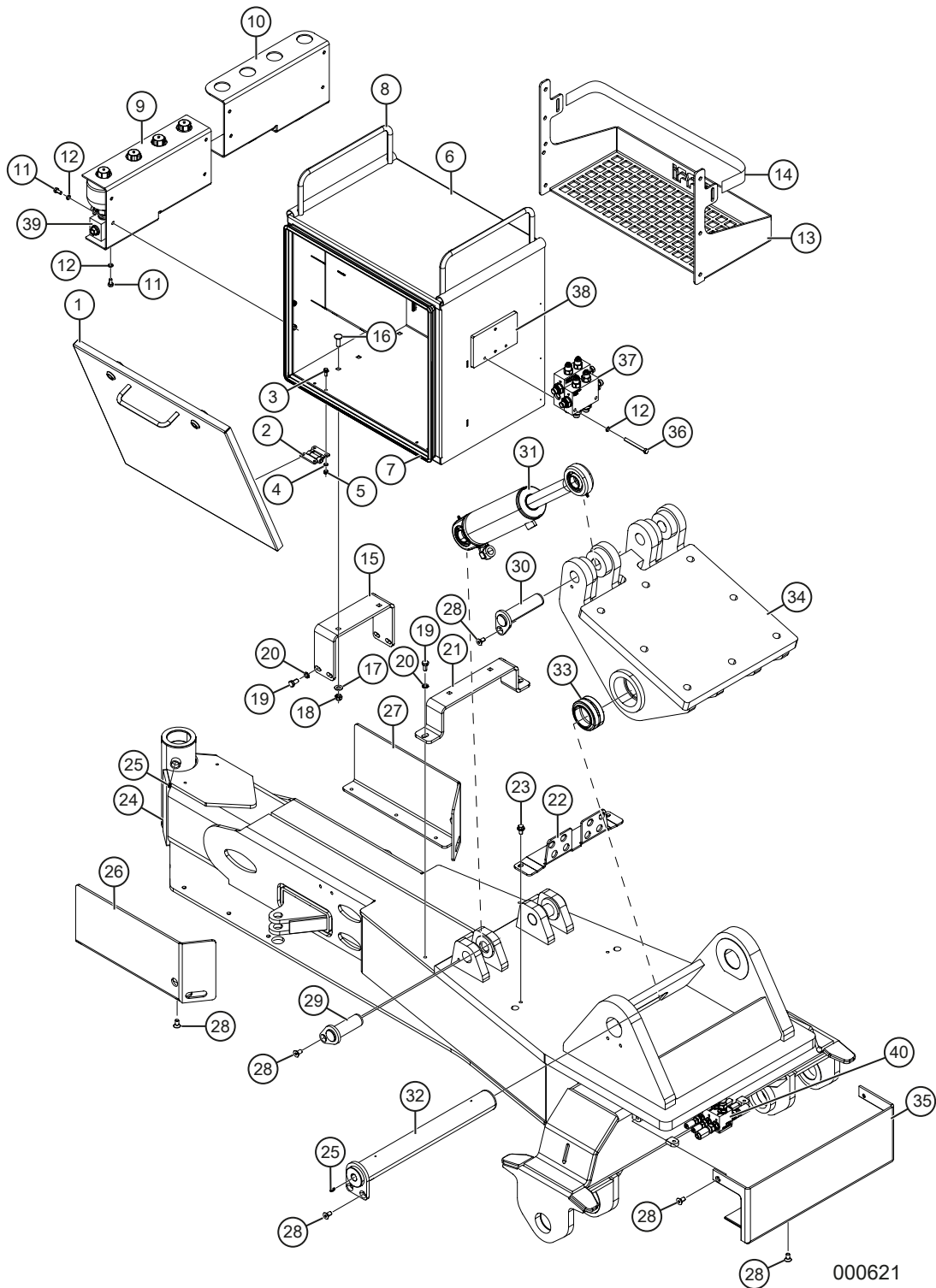
Trailer



Trailer

Pos	Art.	Qty.	Description	Remarks
1	TE-701551	1 pc	Lid for tool box, harvester	
	KT100154	2 pcs	Lock with bolt	
	KT100155	2 pcs	Key	For lock KT100154
2	KT-230740	2 pcs	Hinge	
3	09-266243	8 pcs	Flange screw	M6SFT 6x16 8.8 FZB
4	K6150	8 pcs	Flat washer	BRB M6 FZB
5	K6133	8 pcs	Lock nut	M6M 6 Nyloc FZB
6	TE-701432	1 pc	Toolbox	
7	K6627-03	2.5 m	Sealing strip	
8	TE-701725	2 pcs	Clamp, hose guide	
	09-265714	4 pcs	Flange screw	M6SF 10x16 8.8 FZB
9	TE-702137	1 pc	Accumulator bracket	Up to machine T23-025
10	TE-703632	1 pc	Accumulator bracket	From machine T23-034
11	K6074-09	8 pcs	Screw	M6S 8x16 8.8 FZB
12	K6163-004	10 pcs	Locking washer	Nordlock M8
13	TE-702969	1 pc	Canister holder	Extra equipment. Replaces TE-701750
	KT-267355	1 pc	Plastic can	20L
	K6077-001	5 pcs	Flange screw	M6SF 10x20 8.8 FZB
	K6135	5 pcs	Lock nut	LM6M 10 8 FZB
	TE-702852	1 pc	Spacer	Accumulator bracket
14	KT-K252000	1 pc	Tension belt	L=2000 mm
15	TE-701434	1 pc	Bracket tool box	Front
16	KT-265219	4 pcs	Screw	MVBF 10x30 4.6 FZB
17	83-0051-FZB	4 pcs	Flat washer	BRB M10
18	K6135	4 pcs	Lock nut	M6M 10 Nyloc FZB
19	K6077	6 pcs	Screw	M6S 10x20 8.8 FZB
20	K6163-003	6 pcs	Locking washer	Nordlock M10
21	TE-701433	1 pc	Bracket tool box	Rear
22	TE-702254	1 pc	Sheet metal bulkhead	
23	09-265714	2 pcs	Flange screw	M6SFT 10x16 8.8 FZB
24	TE-702837	1 pc	Harvester trailer	8WD
	TE-704012	1 pc	Harvester trailer	8WD. For steering cylinder with sensor.
25	KT-4600-100	3 pcs	Grease nipple	M6, straight
26	TE-700749	1 pc	Protective cover steering cylinder	Left
27	TE-700750	1 pc	Protective cover steering cylinder	Right. For steering cylinder without sensor
	TE-703978	1 pc	Protective cover steering cylinder	Right. For steering cylinder with sensor

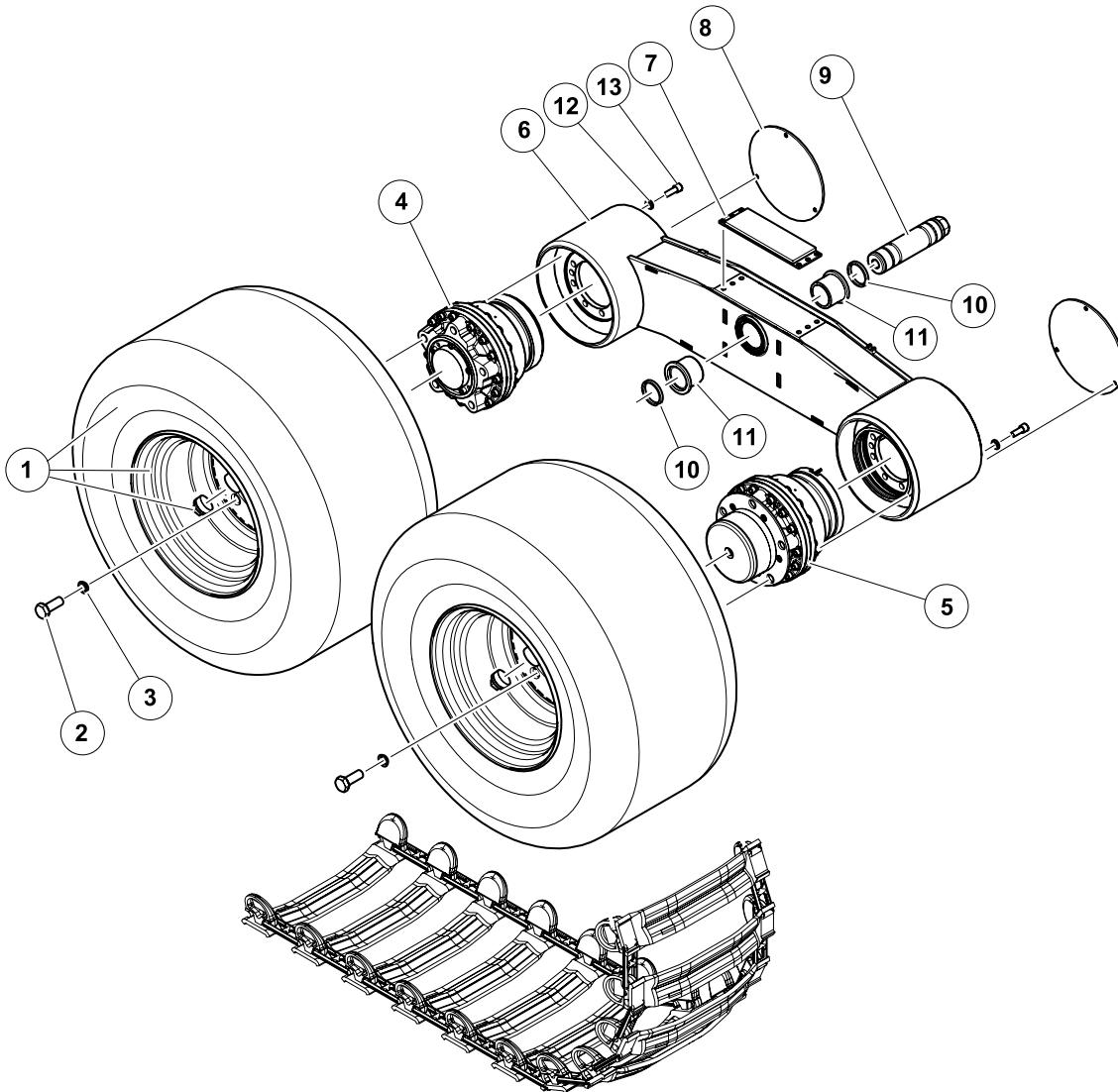
Trailer



Trailer

Pos	Art.	Qty.	Description	Remarks
28	K6058-40	13 pcs	Screw	MF6S 10x20 10.9 FZB
29	TE-701071	2 pcs	Locking pin	L=99 mm. D=35 mm
30	TE-701070	2 pcs	Locking pin	L=137 mm. D=35 mm
31	KT-791076	2 pcs	Hydraulic cylinder levelling	
32	TE-700802	1 pc	Axle crane folding	
33	KT-50543	2 pcs	Rocker bearing	
34	TE-701722	1 pc	Crane attachment	
35	TE-701427	1 pc	Cap over valves	
36	K6076-36	2 pcs	Screw	M6S 8x80 8.8 FZB
37			Crane tilt	See <i>Crane tilt, square crane foot</i> , page 115.
38	TE-701438	1 pc	Valve bracket, tool box	
39			Accumulators	See <i>Lifting, slewing cylinder and accumulator connections</i> , page 117.
40			Distributor block rear bogie	See <i>Distributor block rear bogie (G)</i> , page 59.

Wheel suspension, welded bogie - Black Bruin

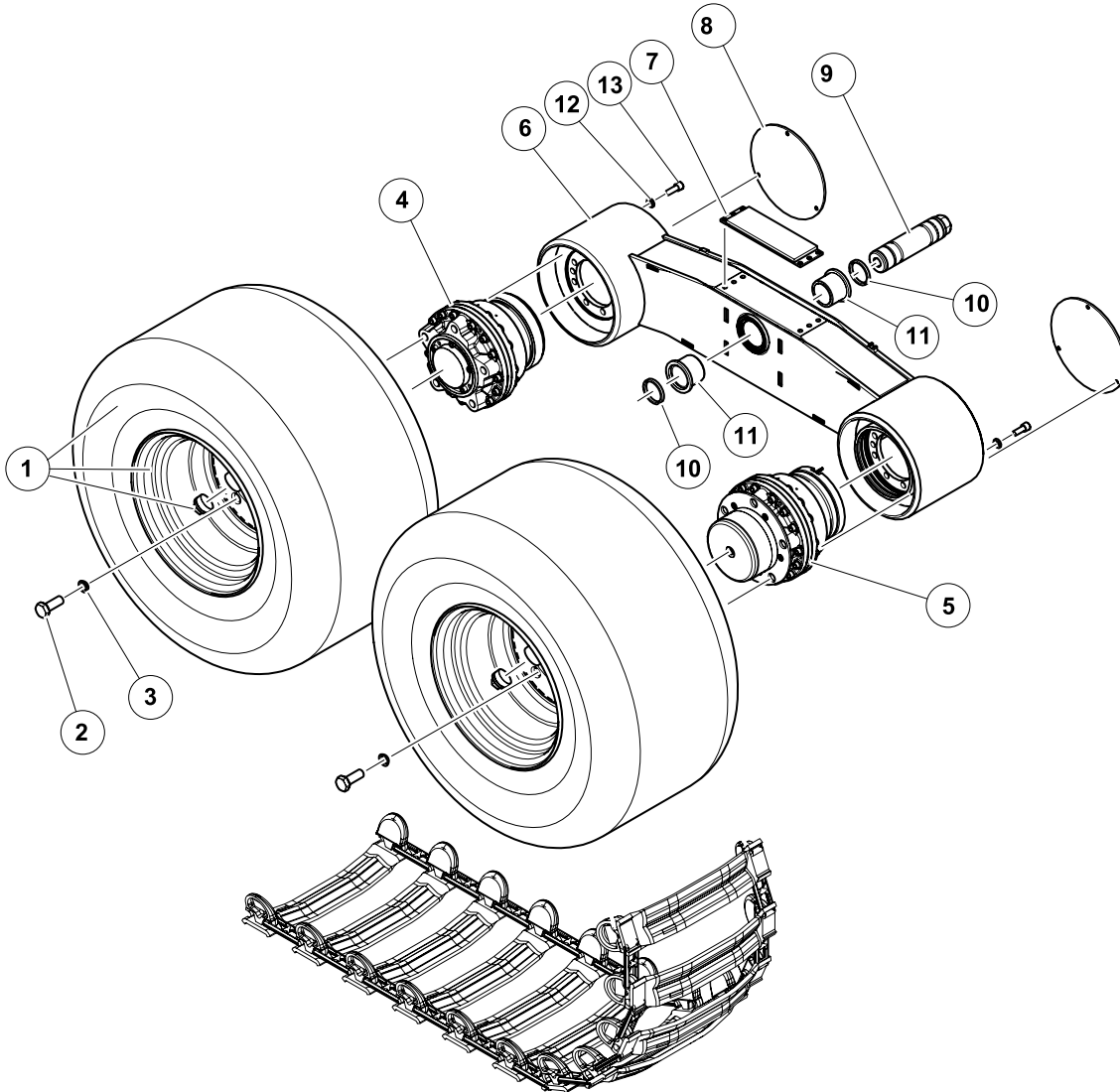


000030

Wheel suspension, welded bogie - Black Bruin

Pos	Art.	Qty.	Description	Remarks
1	TE-701353H	4 pcs	Tyre complete	Right
1	TE-701353V	4 pcs	Tyre complete	Left
-	KT-791046	8 pcs	Tyre	TVS 500/50-17. Included in TE-701353H/V
-	KT-790967	8 pcs	IMP & inner tube	500/50-17. Included in TE-701353H/V
-	TE-701352	8 pcs	Rim	17"x500 mm. Included in TE-701353H/V
-	KT-791166	8 pcs	Protective cap	Rim. Included in TE-701353H/V
2	KT100124	40 pcs	Screw	FM6SH M22x1.5x60 10.9
3	KT-7905011	40 pcs	Circlip	22.5X34X8 FZB
4	KT-790917	4 pcs	Hydraulic motor	Black Bruin, 1018ccm without brake
-	KT-791180		Gasket kit + ring	BBC02
-	KT-791376		Gasket kit	BBC02
5	KT-790916	4 pcs	Hydraulic motor	Black Bruin, 1018ccm with brake
-	KT-791180		Gasket kit + ring	BBC02
-	KT-791376		Gasket kit	BBC02
6	TE-710065	2 pcs	Bogie	Left. 8WD incl. bushing and damper Complete including Item 6, 7, 10 and 11
-	TE-701738	2 pcs	Bogie	Left. 8WD
6	TE-710066	2 pcs	Bogie	Right. 8WD incl. bushing and damper Complete including Item 6, 7, 10 and 11
-	TE-701739	2 pcs	Bogie	Right. 8WD
7	TE-701735	4 pcs	Damper	Bogie arm, 8WD
	6163-003	24 pcs	Nordlock washer	M10
	K123190	24 pcs	Screw	M6S 10X30 10.9 OBH ISO 4017
8	TE-700138	8 pcs	Cover	In-wheel motor
	K6085-062	24 pcs	Screw	MF6S 8x16 10.9 FZB
9	KT-790988	4 pcs	Expander shaft	Bogie arm
-	KT-790988-1	4 pcs	O-ring	Expander shaft bogie arm
-	KT-790988-2	4 pcs	Sleeve	Expander Bogie Arm, Std. Right
-	KT-790988-9	4 pcs	Sleeve	Expander Bogie Arm, Std. Left
-	KT-790988-5	4 pcs	Washer	ø59 L:10, Left
-	KT-790988-6	4 pcs	Nut, int. hexagon	ø59
-	KT-790988-7	4 pcs	Stud bolt	M24 grease L:243
-	KT-790988-8	4 pcs	Grease nipple	1/8"
	KT-790988-3		Sleeve	Expander bogie arm, TDC. Right
	KT-790988-4		Sleeve	Expander Bogie Arm, TDC Left
10	KT-791131	8 pcs	Wiper	GA , Bogie bearing
11	TE-701951	8 pcs	Bearing	Bogie, BWG-F
12	K6163-002	64 pcs	Nordlock washer	M16

Wheel suspension, welded bogie - Black Bruin

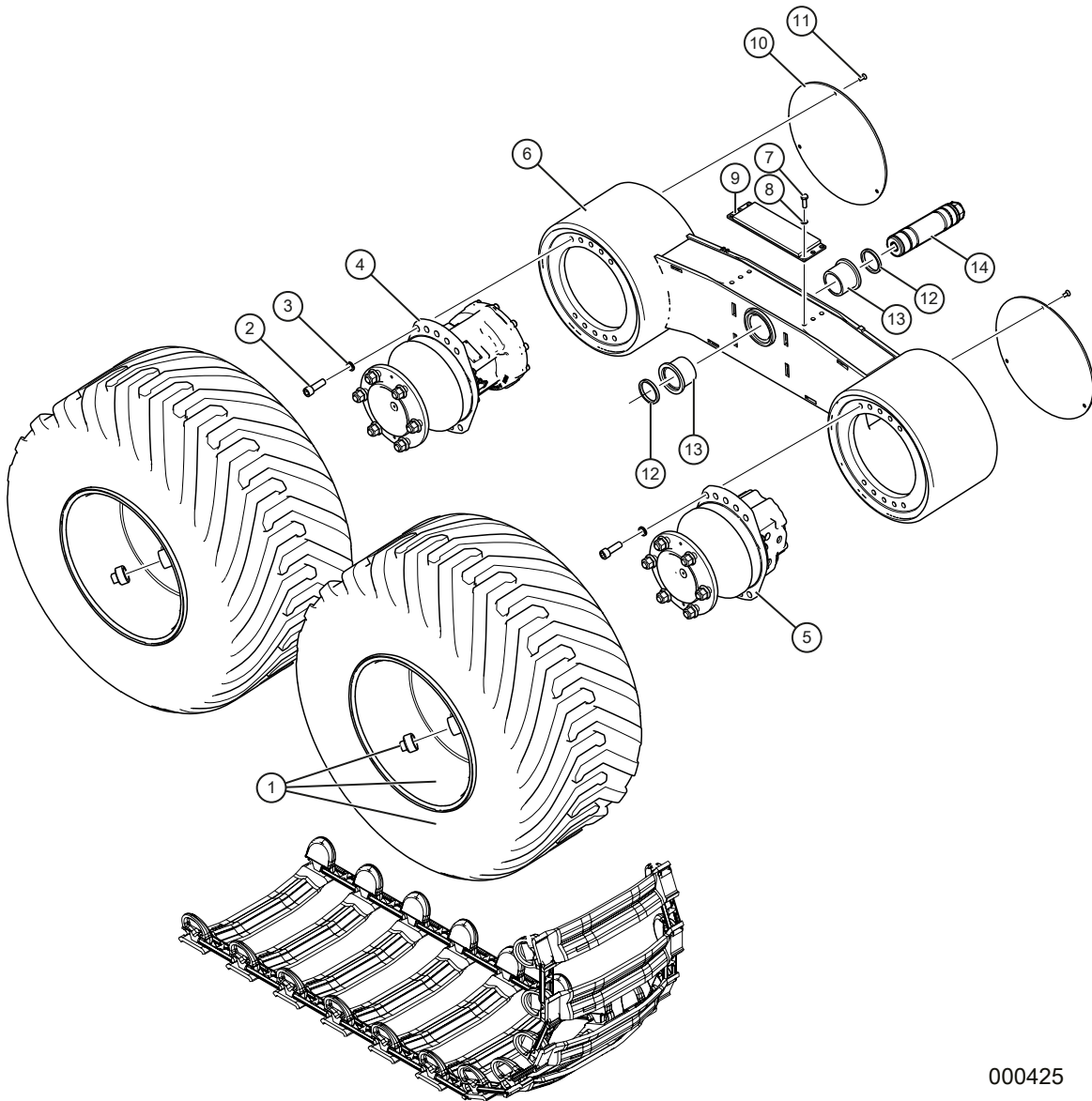


000030

Wheel suspension, welded bogie - Black Bruin

Pos	Art.	Qty.	Description	Remarks
13	KT-6067-280	64 pcs	Screw	MC6S 16x40 12.9 UNTR.

Wheel suspension, welded bogie - Poclain

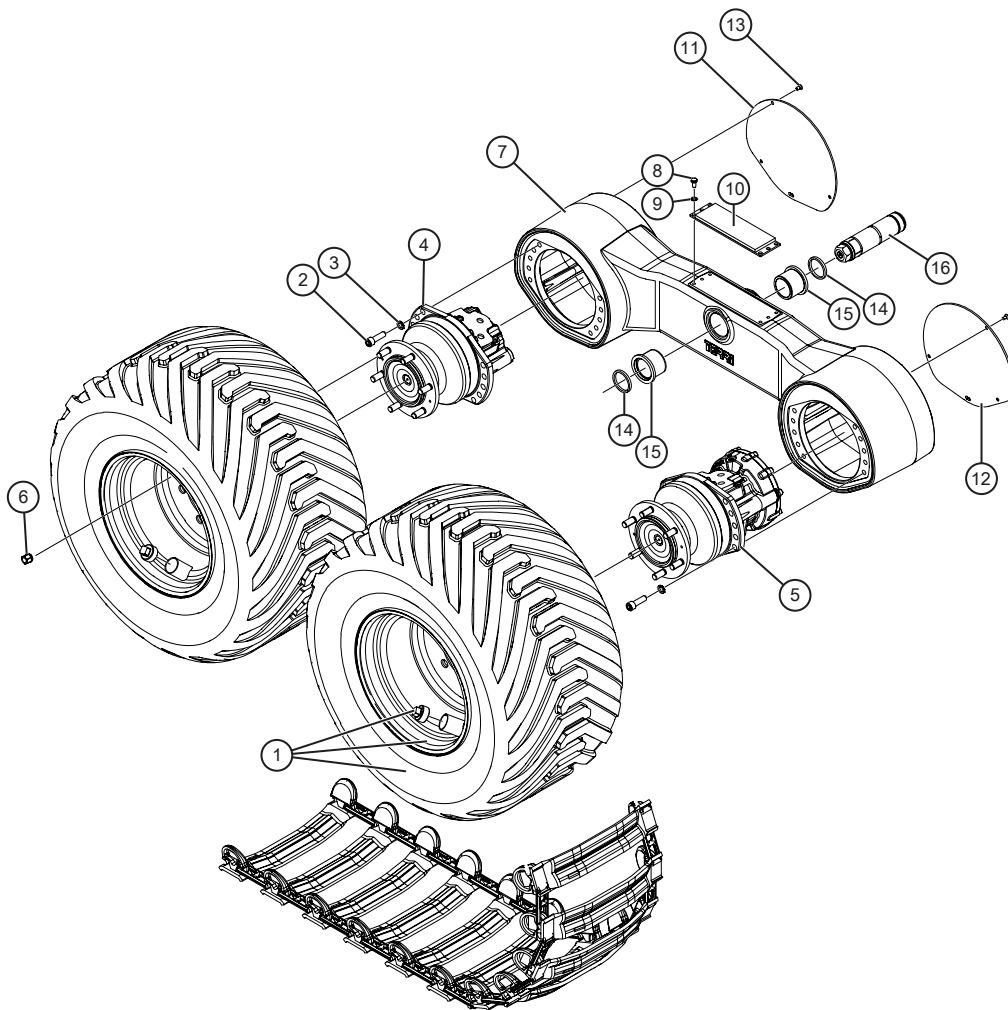


000425

Wheel suspension, welded bogie - Poclain

Pos	Art.	Qty.	Description	Remarks
1	KT-791186H	2 pcs	Wheel complete	Right, Poclain Reinforced
1	KT-791186V	2 pcs	Wheel complete	Left, Poclain Reinforced
-	KT-791046	2 pcs	Tyre	TVS 500/50-17
-	KT-790967	2 pcs	IMP & inner tube	500/50-17
-	KT-791326	2 pcs	Rim	Reinforced, Red, Poclain 8WD
-	KT-791166	2 pcs	Protection cover	Rim
2	KT-6067-281	20 pcs	Hex screw	MC6S 16x50 12.9 FZB
3	K6163-002	20 pcs	Locking washer	Nordlock M16
4	KT-791226	1 pc	In-wheel motor	With parking brake 1248cc Poclain
5	KT-791225	1 pc	In-wheel motor	Without parking brake 1248cc Poclain
6	TE-702295	1 pc	Bogie, welded	Left
6	TE-702296	1 pc	Bogie, welded	Right
7	K6077-02	6 pcs	Screw	M6S 10x30 8.8 FZB ISO 4017
8	K6163-003	6 pcs	Locking washer	Nordlock M10
9	TE-701735	1 pc	Damper	Bogie arm, 8WD
10	TE-702310	2 pcs	Cover	In-wheel motor Poclain
11	K6085-021	6 pcs	Screw	MF6S 8x20 8.8
12	KT-791131	2 pcs	Wiper	Bogie bearing
13	TE-701951	2 pcs	Bearing	Bogie
14	KT-790988	1 pc	Expander shaft	Bogie arm
-	KT-790988-1	2 pcs	O-ring	Right/Left
-	KT-790988-2	1 pc	Sleeve	Right. Std
-	KT-790988-9	1 pc	Sleeve	Left. Std
-	KT-790988-5	1 pc	Washer	
-	KT-790988-6	1 pc	Nut	
-	KT-790988-7	1 pc	Stud bolt	M24 grease L:243
-	KT-790988-8	1 pc	Grease nipple	1/8"
	KT-790988-3		Sleeve	Right. TDC
	KT-790988-4		Sleeve	Left. TDC

Wheel suspension, cast bogie - Poclain



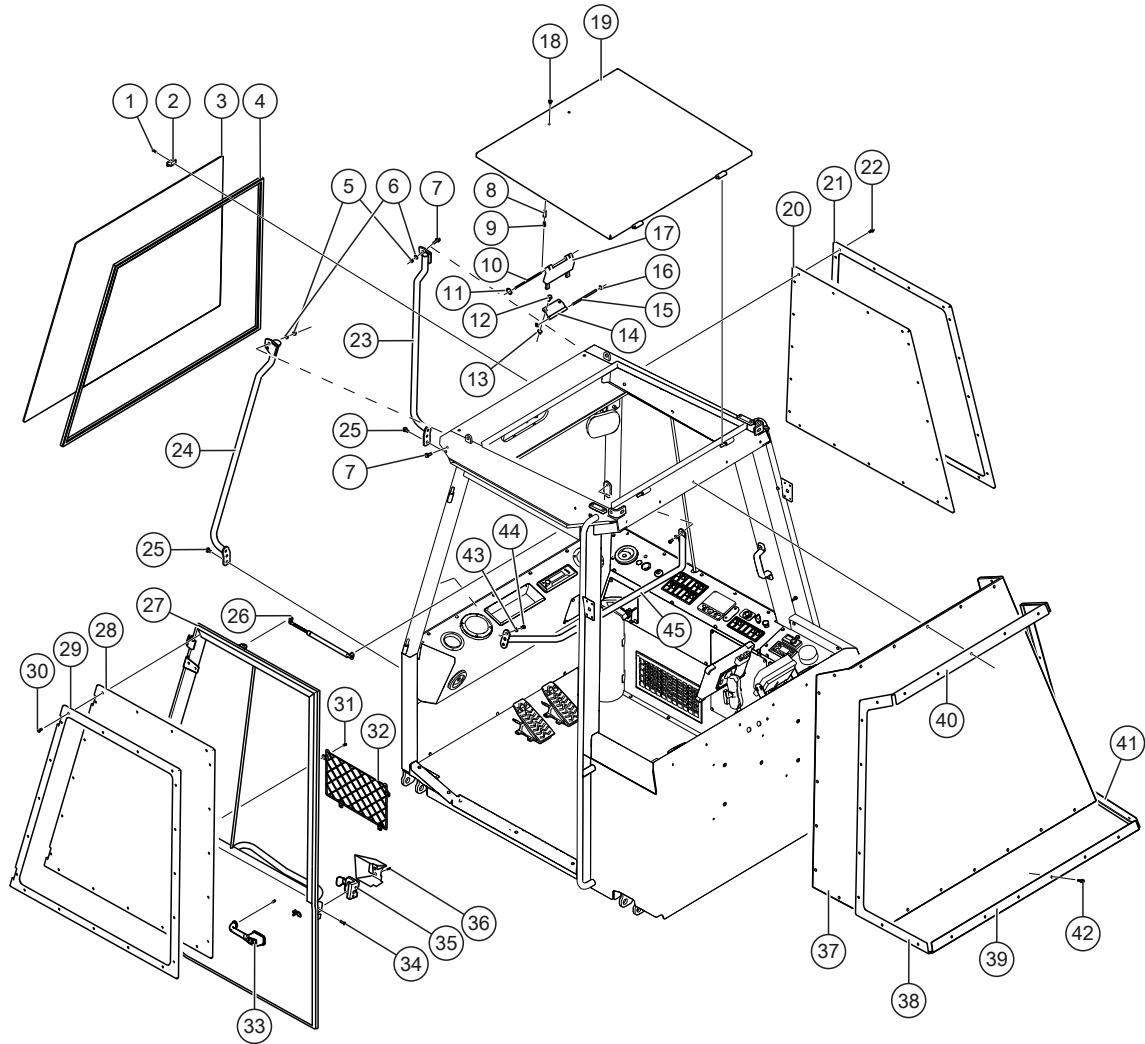
000424

Wheel suspension, cast bogie - Poclain

Pos	Art.	Qty.	Description	Remarks
1	KT-791186H	2 pcs	Wheel complete	Right, Poclain Reinforced
	KT-791186V	2 pcs	Wheel complete	Left, Poclain Reinforced
-	KT-791046	2 pcs	Tyre	TVS 500/50-17
-	KT-790967	2 pcs	IMP & inner tube	500/50-17
-	KT-791326	2 pcs	Rim	Reinforced, Red, Poclain 8WD
-	KT-791166	2 pcs	Protection cover	Rim
2	KT-6067-281	20 pcs	Hex screw	MC6S 16x50 12.9 FZB
3	K6163-002	20 pcs	Locking washer	Nordlock M16
4	KT-791225	1 pc	In-wheel motor	Without parking brake 1248cc Poclain
5	KT-791226	1 pc	In-wheel motor	With parking brake 1248cc Poclain
6	KT-791238	12 pcs	Wheel nut	M18x1.5
7	TE-702846	1 pc	Bogie, cast	Right
	TE-702847	1 pc	Bogie, cast	Left
8	K6077	6 pcs	Screw	M6S 10x20 FZB ISO 4017
9	K6163-003	6 pcs	Locking washer	Nordlock M10
10	TE-701735	1 pc	Damper	Bogie arm, 8WD
11	TE-703114	1 pc	Cover	I
12	TE-703115	1 pc	Cover	II
13	09-267485	6 pcs	Screw	MF6S 8x16 8x8 FZB
14	KT-791131	2 pcs	Wiper	Bogie bearing
15	TE-701951	2 pcs	Bearing	Bogie
16	KT-790988	1 pc	Expander shaft	Bogie arm
-	KT-790988-1	2 pcs	O-ring	Right/Left
-	KT-790988-2	1 pc	Sleeve	Right. Std
-	KT-790988-9	1 pc	Sleeve	Left. Std
-	KT-790988-5	1 pc	Washer	
-	KT-790988-6	1 pc	Nut	
-	KT-790988-7	1 pc	Stud bolt	M24 grease L:243
-	KT-790988-8	1 pc	Grease nipple	1/8"
	KT-790988-3		Sleeve	Right. TDC
	KT-790988-4		Sleeve	Left. TDC

7 CAB

Windows, doors and hatches

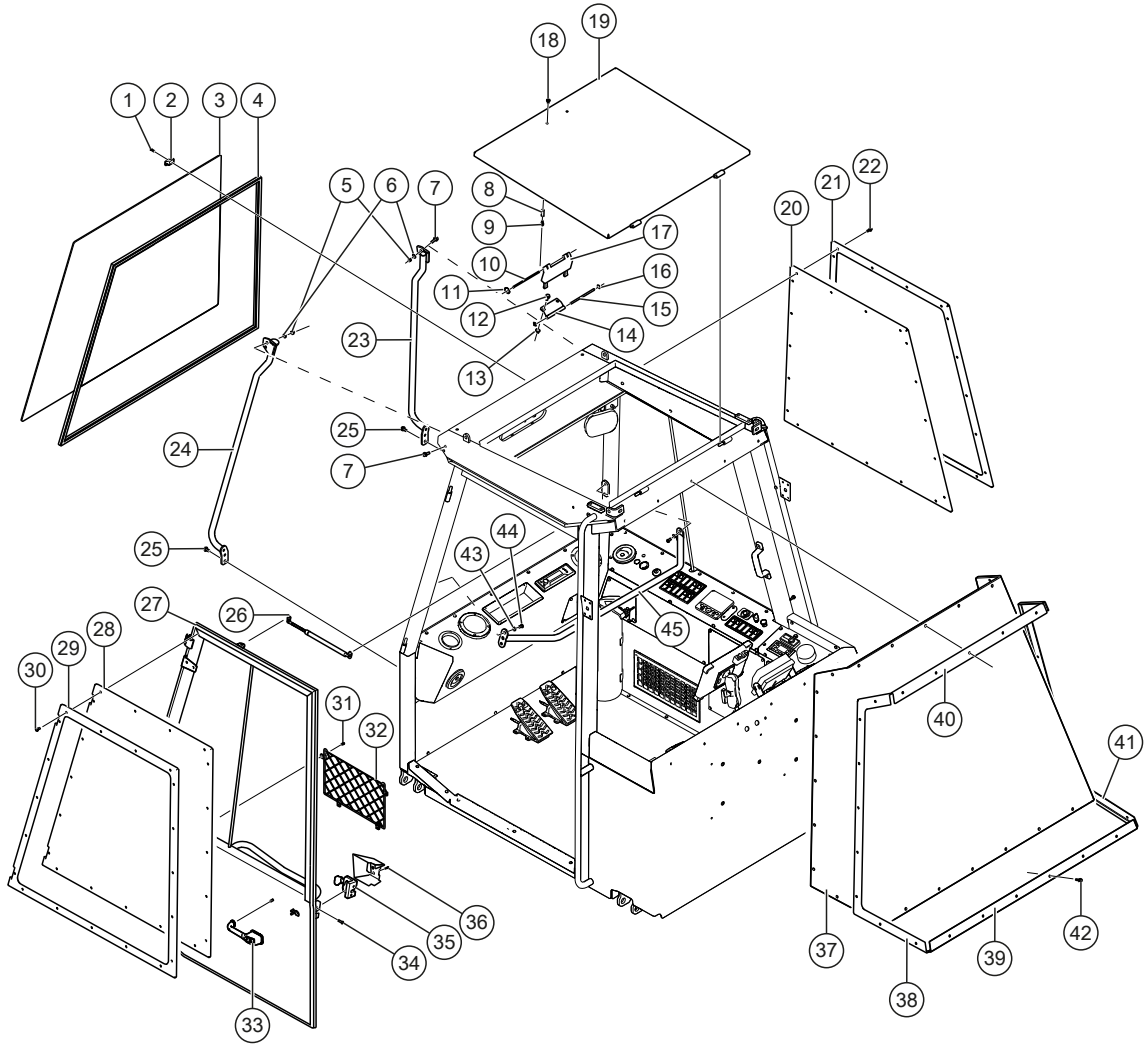


000437

Windows, doors and hatches

Pos	Art.	Qty.	Description	Remarks
1	K6078-310	8 pcs	Screw	K6S 5x16 10.9 FZB
2	KT-790692	8 pcs	Glass mount windscreen	
3	KT-63155	1 pc	Windscreen	
4	KT-0541	LM	Sealing strip windscreen	L=4000 mm
5	K6134	4 pcs	Lock nut	Nyloc M8 FZB
6	K6151	4 pcs	Flat washer	BRB M8
7	09-266037	4 pcs	Flange screw	M6SF 8x25
8	KT-162820	2 pcs	Spacer nut	M6HM M6x30x10 FZB
9	KT-52996	2 pcs	Bolt, window lock	
10	KT-52933	1 pc	Dowel window lock	
11	KT-790700	1 pc	Key ring	25 mm
12	09-266036	2 pcs	Flange screw	M6SFT 8x20 8.8 FZB
13	09-265605	2 pcs	Flange lock nut	LM6MF 8 FZB
14	TE-67545	1 pc	Fittings for roof hatch	
15	KT-52971	1 pc	Axle pin, window lock	
16	KT-790710	2 pcs	Clip	
17	KT-790690	1 pc	Handle roof hatch	
18	09-265543	2 pcs	Flange screw	M6SFT 6x12 8.8 FZB
19	TE-38339	1 pc	Roof hatch	
	T3999042	LM	Edge strip roof hatch	L=3200 mm
20	KT-63189	1 pc	Side window	SAPHIR 8 mm
21	TE-38330	1 pc	Side window frame	Right
22	09-266243	19 pcs	Flange screw	M6SFT 6x16 8.8 FZB
23	TE-701760	1 pc	Guard right, windscreen	
24	TE-701761	1 pc	Guard left, windscreen	
25	09-267180	4 pcs	Flange screw	M6SFT 8x16 8.8 FZB
26	T53030	1 pc	Gas cylinder	
	T6493506	2 pcs	Swivel joint	M6/M8
	09-267024	2 pcs	Bracket, ball fitting	M8
27	TE-38329	1 pc	Door frame	
	KT-0547C	LM	Rubber strip around door	L=4800 mm
28	KT-63186	1 pc	Door window	SAPHIR 8 mm
29	TE-38331	1 pc	Door window frame	
	KT-580908	LM	Butyl tape	8 mm. Seal side window, door, rear window
30	09-266243	19 pcs	Flange screw	M6SFT 6x16 8.8 FZB
31	09-266326	4 pcs	Screw	MRT-TT 6X12 FZB

Windows, doors and hatches

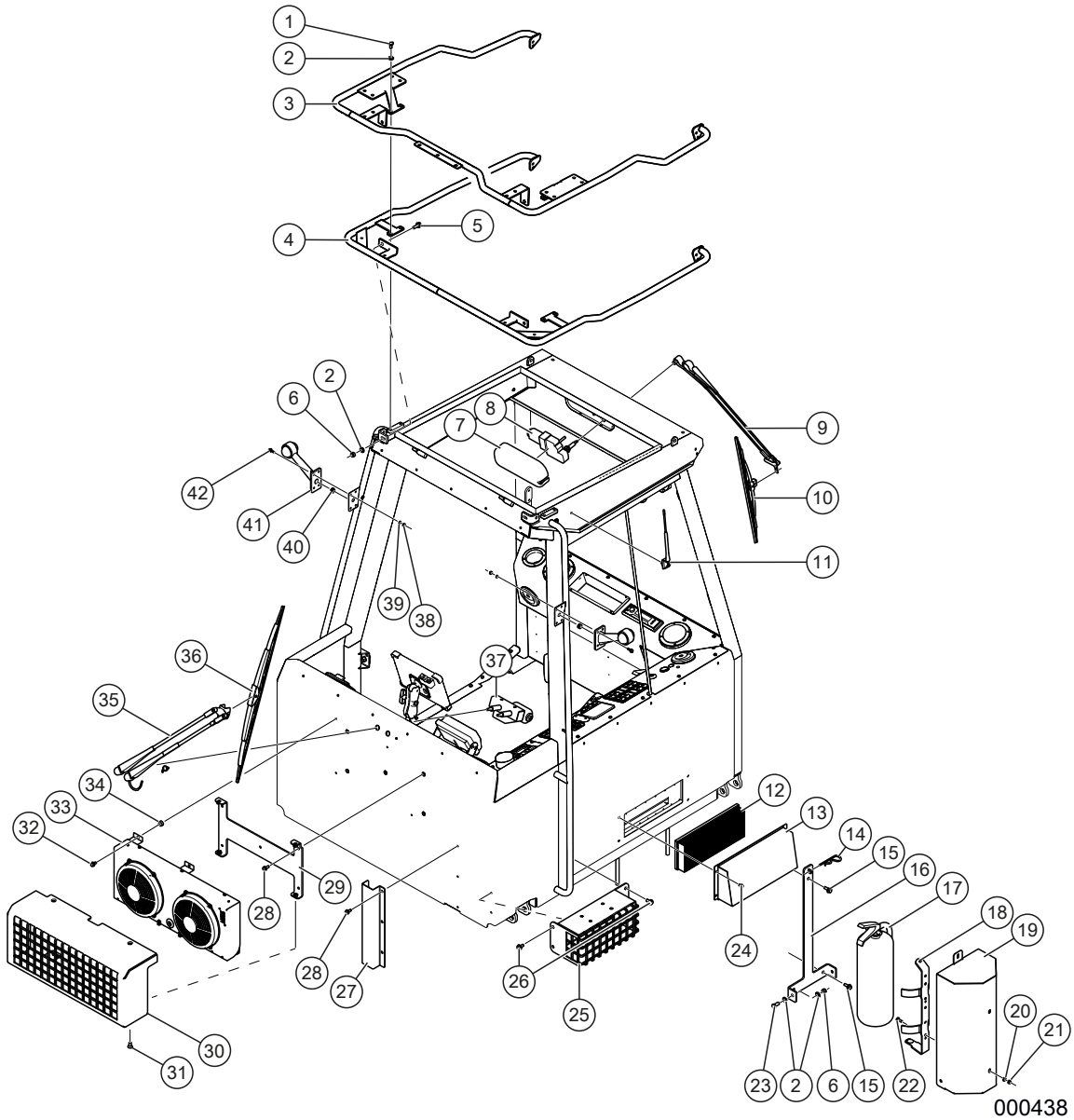


000437

Windows, doors and hatches

Pos	Art.	Qty.	Description	Remarks
32	KT-840500	1 pc	Mesh pocket	360x220
33	KT-790691	1 pc	Door handle with lock	
	KT-790691-1		Key for door handle with lock	
34	K6085-0012	2 pcs	Screw	MF6S 6x25 10.9 FZB
	K6133	2 pcs	Lock nut	Nyloc M6 FZB
35	KT-890038	1 pc	Safety lock, left	
	KT-890039	1 pc	Locking pin	M12
	KT-890040	1 pc	Nut	M12x1.0
	KT-003602	1 pc	Protective bar, lock	
36	TE-702902	1 pc	Cover for locking mechanism	
37	KT-38890	1 pc	Rear window	SAPHIR 12 mm
38	TE-38891V	1 pc	Rear window bracket	Left
39	TE-67549	1 pc	Rear window bracket	Lower
40	TE-67548	1 pc	Rear window bracket	Upper
41	TE-38891H	1 pc	Rear window bracket	Right
42	09-266035	27 pcs	Flange screw	M6SFT 6x25 8.8 FZB
43	K6163-004	4 pcs	Locking washer	Nordlock M8
44	81-0467	4 pcs	Screw	K6S 8x16 FZB
45	TE-702806	1 pc	Handle in cab	

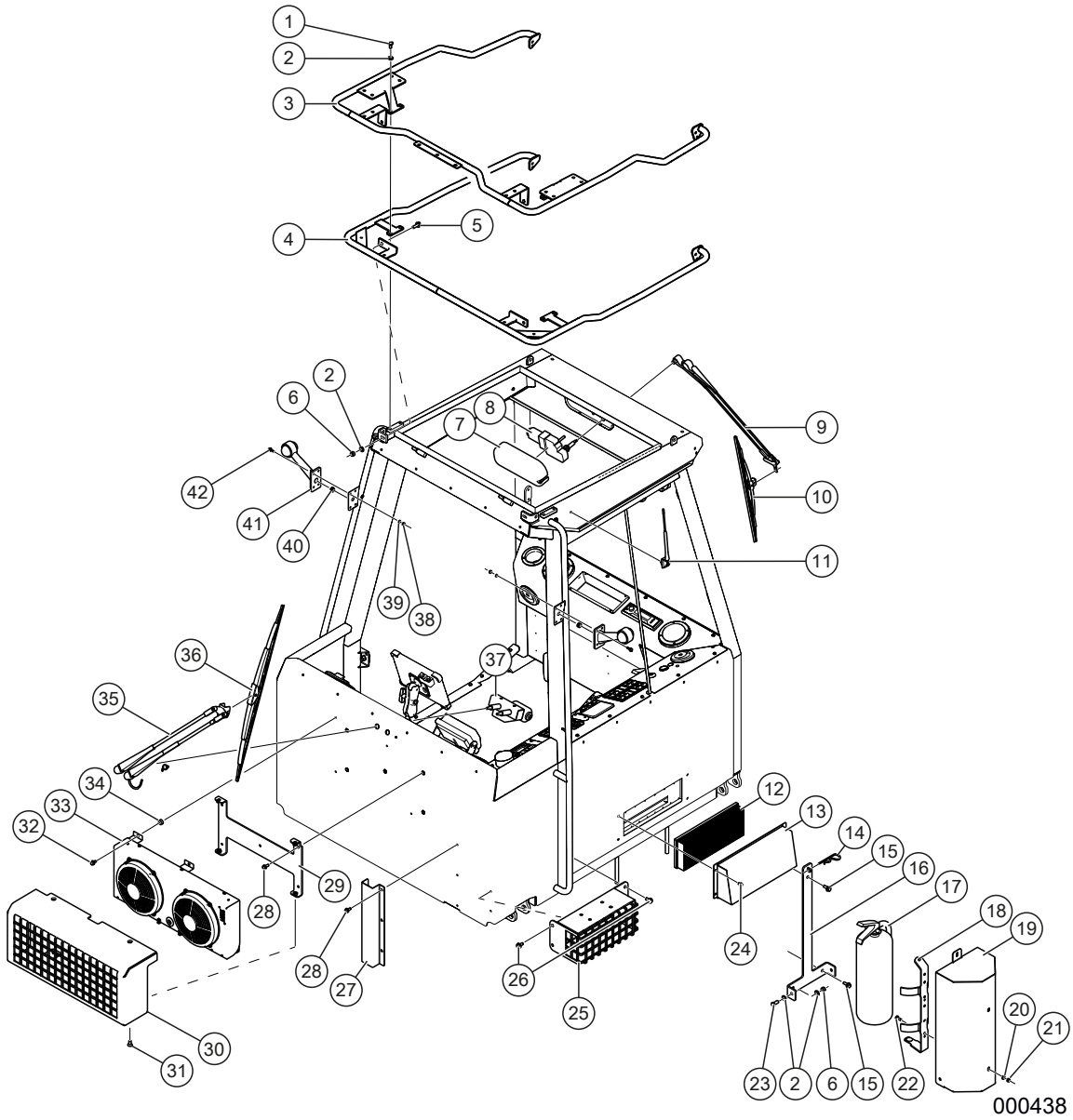
Cab, exterior



Cab, exterior

Pos	Art.	Qty.	Description	Remarks
1	K6077-01	4 pcs	Screw	M6S 10x16 8.8 FZB
2	83-0051-FZB	6 pcs	Washer	BRB 10.5x22x2.0 FZB
3	TE-702517	1 pc	Loose roof rack	High
4	TE-702520	1 pc	Loose roof rack	Low
5	09-267053	2 pcs	Flange screw	M6SFT 10x30 8.8 FZB
6	K6135	4 pcs	Lock nut	Nyloc M10 FZB
7	KT-68140015	1 pc	Protective cover, wiper motor	Front
8	KT-240001	1 pc	Wiper motor, 24V	Windscreen, see <i>Lighting and wiper motors</i> , page 223
9	T53003	1 pc	Wiper arm	Front
10	T53002	1 pc	Wiper blade	Front
11	KT-791098	1 pc	Aerial	DAB FM/AM
12	T53009	1 pc	Filter air intake	
13	TE-38346	1 pc	Filter cover	
14	KT-2326	1 pc	Cotter pin	5 mm
15	09-267027	3 pcs	Flange screw	M6SFT 10x25 8.8 FZB
16	TE-701539	1 pc	Fire extinguisher bracket	
17	KT-790050	1 pc	Fire extinguisher	6 kg. Incl. bracket.
-18	KT-790050-1	1 pc	Bracket	
19	TE-701536	1 pc	Cover fire extinguisher	
20	K6151	2 pcs	Flat washer	BRB M8 FZB
21	K6134	2 pcs	Lock nut	Nyloc M8 FZB
22	K6075	2 pcs	Screw	M6S 8x20 8.8 FZB
23	K6078-02	2 pcs	Screw	M6S 10x25 8.8 FZB
24	09-265543	4 pcs	Flange screw	M6SFT 6x12
25	TE-700466	1 pc	Lamp guard	
26	09-265702	4 pcs	Flange screw	M6SFT 10x20 8.8 FZB
27	TE-702634	1 pc	Cover AC hoses	
28	09-266036	8 pcs	Flange screw	M6SFT 8x20 8.8 FZB
29	TE-701100	1 pc	Bracket AC condenser protective cover	
30	TE-702572	1 pc	Protective cover AC condenser	
31	K6058-40	4 pcs	Screw	MF6S 10x20 10.9 FZB
32	09-267180	4 pcs	Flange screw	M6SFT 8x16 8.8 FZB
33	KT-5001508	1 pc	Accessory kit, AC	Poclaine
34	TE-701235	4 pcs	Spacer engine hood	
35	KT-790695	1 pc	Wiper arm	Rear. L=650 mm (parallel)
	KT-790696	1 pc	Spray nozzle for arm	

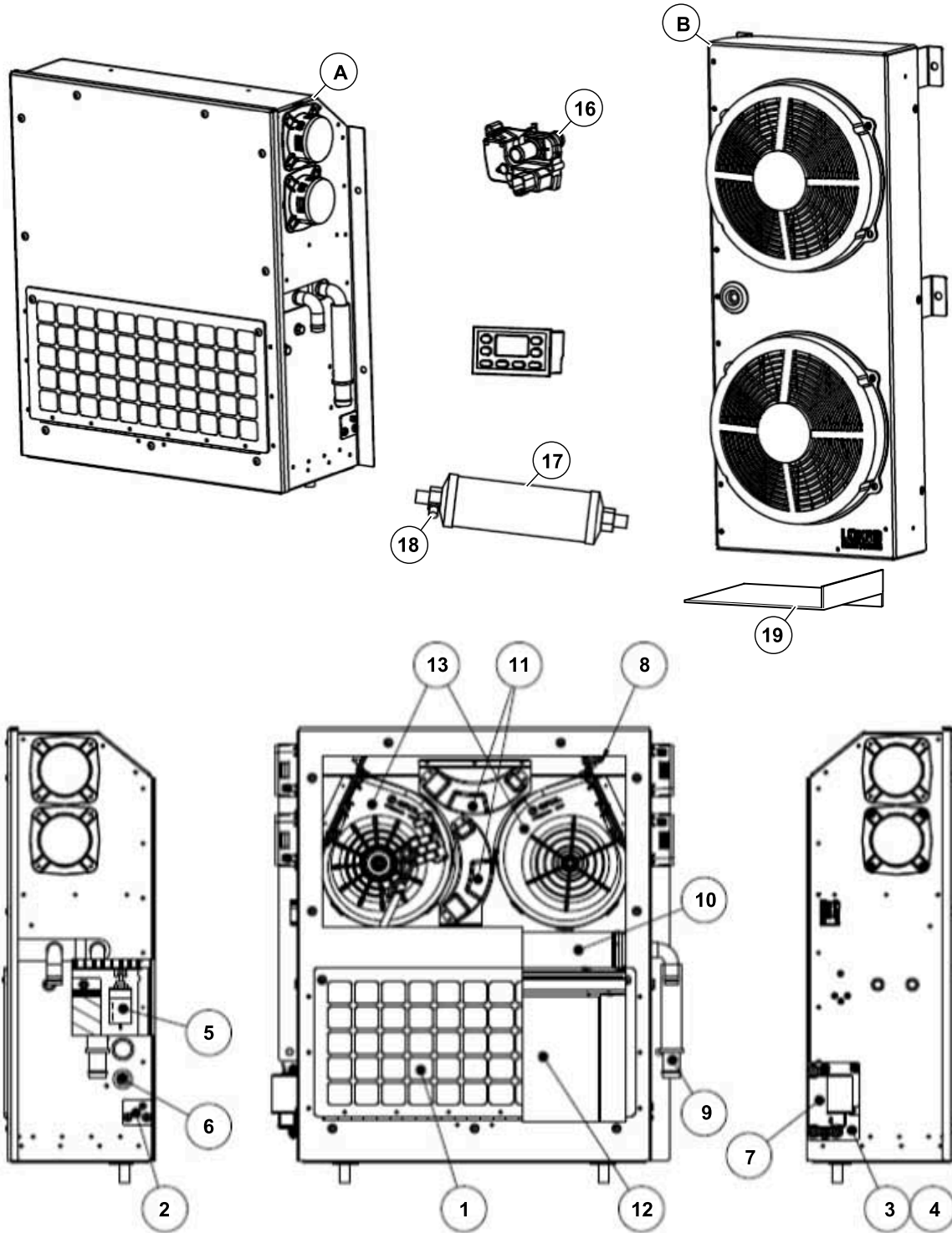
Cab, exterior



Cab, exterior

Pos	Art.	Qty.	Description	Remarks
	TE-790697	1 pc	Clamp	12x4
	KT-790698	LM	Washer hose	3.5 X 6 mm Black. L=700 mm
	KT-186204	LM	PVC hose	5.0 x 1.5. L=2500 mm. Between washer pump and wiper
	KT-65669020	1 pc	Grommet, washer	
36	KT-790694	1 pc	Wiper blade	Rear. L=800 mm
37	KT-240000	1 pc	Wiper motor, 24V	Rear window, see <i>Lighting and wiper motors</i> , page 223
38	K6133	8 pcs	Lock nut	Nyloc M6 FZB
39	K6150	8 pcs	Washer	BRB M6 FZB
40	KT-186307	2 pcs	Cable grommet	
41	T50462	1 pc	Turn signal arm, pair. W/o bulb	
42	09-267180	4 pcs	Flange screw	M6SFT 6x20 8.8 FZB

Air conditioner ECC kit

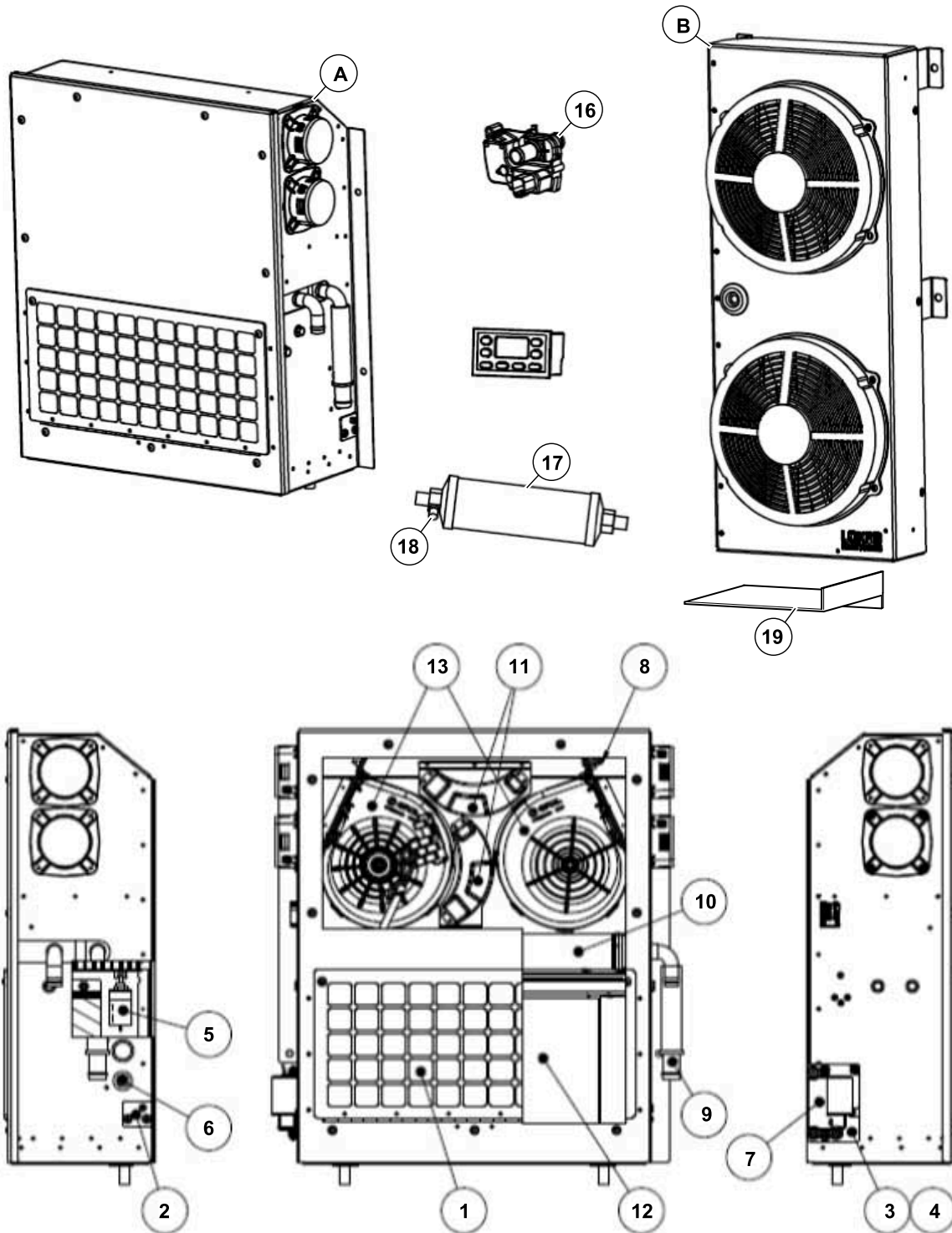


000039

Air conditioner ECC kit

Pos	Art.	Qty.	Description	Remarks
A	KT-240043	1 pc	HVAC unit	24V
	KT-8002520		Block	9-pin
	KT-8002163		Sleeve	0.5-1.0 mm ²
	KT-791233	1 pc	Wiring harness ECC controller	
	KT-5001488		Accessory kit, AC	Black Bruin
	KT-5001508		Accessory kit, AC	Poclaine
	KT-790775	2 pcs	Y-pipe defroster hose	
	KT-790712	1 pc	Sensor	Outside
	KT-790779	2 pcs	Sensor	Inside
	KT-790780	1 pc	Water valve, stepless	
	KT-791491	1 pc	ECC controller	Replaces KT-791313
	KT-240038	2 pcs	Fan, air, heater assembly	24V
	KT-790037		O-ring	5/8" #6 R134a 10 pack
	KT-790038		O-ring	3/4" #8 R134a 10 pack
	KT-790039		O-ring	7/8" R12 and R134a 10 pack
	KT-765020		AC compressor	
	KT-7003416		Adapter	Large
	KT-7003426		O-ring	Large
	KT-7003417		Adapter	Small
	KT-7003427		O-ring	Small
B	KT-240039	1 pc	AC condensor	Complete, 24V
-	KT-703306	1 pc	Wiring harness	AC condensor
-	KT-240040	2 pcs	Fan condensor	24V
-	KT-2719192	2 pcs	Contact	DT 2-pin male
-	KT-790042	1 pc	Condensor element	596x191x48
1	KT-791335	1 pc	Coarse filter	
2		1 pc	Damper plate attachment	
3		1 pc	Service hatch	Complete
4		1 pc	Damper plate	Complete
5	KT-791385	1 pc	Thermostat, adjustable	
6	KT-790069	1 pc	Expansion valve	1.5 tonne type block
7	KT-8003348	1 pc	Conversion kit damper motor	
-	KT-8003335	1 pc	Damper motor heater assembly	
-	KT-8003336		Contact damper motor	7-pin
-	KT-8003337		Sleeve	0.5-1.25 mm
8	KT-790779	2 pcs	Sensor inside	Inside

Air conditioner ECC kit

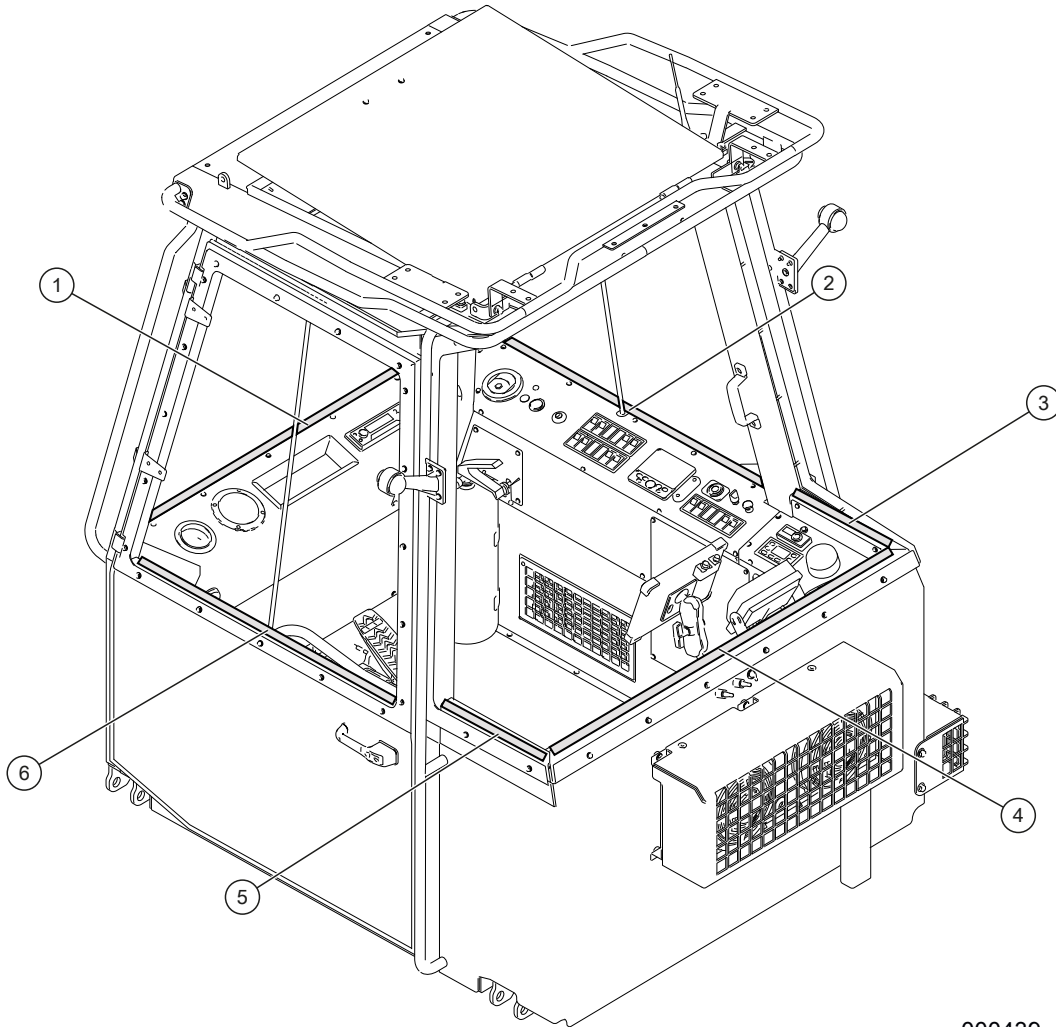


000039

Air conditioner ECC kit

Pos	Art.	Qty.	Description	Remarks
9	KT-8002478	2 pcs	Connection pipe, plastic	D=16-19 mm, L=60
10	KT-790769	1 pc	Heating element	
11	KT-240037	2 pcs	Fan controller ECC	Complete, 24V
12	KT-791386	1 pc	Cooling element HVAC unit	
13	KT-240038	2 pcs	Fan, air, heater assembly	24V
14		1 pc	Wiring harness	12V. Not illustrated
15		2 pcs	Wiring harness fan	Not illustrated
16	KT-790780	1 pc	Water valve, stepless	
17	KT-790832	1 pc	Dryer filter AC, horizontal	
18	KT-790046	1 pc	Pressure switch	High/Low 28-2.0 bar
19	TE-700984	1 pc	Protective cover AC condenser	Lower

Sunshields



000439

Sunshields

Pos	Art.	Qty.	Description	Remarks
	KT-790881		Sunshields	Kit
1	KT-790881-1		Sunshield	Window 1
	KT-790881-10		Mounting kit	Complete. Window 1
2	KT-790881-2		Sunshield	Window 2
	KT-790881-20		Mounting kit	Complete. Window 2
3	KT-790881-3		Sunshield	Window 3
	KT-790881-30		Mounting kit	Complete. Window 3
4	KT-790881-4		Sunshield	Window 4
	KT-790881-40		Mounting kit	Complete. Window 4
5	KT-790881-5		Sunshield	Window 5
	KT-790881-50		Mounting kit	Complete. Window 5
6	KT-790881-6		Sunshield	Window 6
	KT-790881-60		Mounting kit	Complete. Window 6



8 SEAT

Seat features

BeGe 3130L C2 Airvent



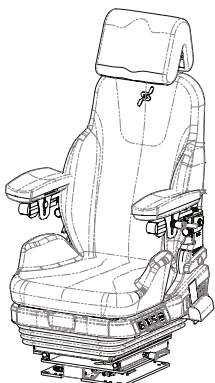
- Air suspended
- XSS foam in seat and backrest cushion with extra side support
- Manual air system (Push-Pull)
- Stepless adjustable shock absorbers
- 640mm backrest
- Sliderrails for forestry & construction use 140 mm
- Adjustable seat cushion 94mm
- Stepless tilt adjustment for seat cushion -4° to +12° (Air operated 30-series)
- Air operated lumbar support, side support (Standard for 30-series)
- 2-point belt
- Weight independent height adjustment 100mm
- Built in 12V compressor (Only 31-series)
- Electrical heating
- Airvent (Active ventilation in seat and backrest)
- Night fall

BeGe 7130L C2



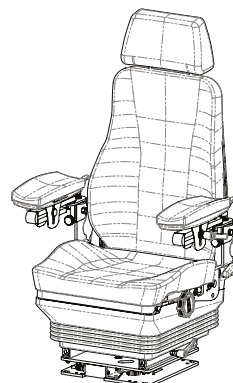
- Air suspended
- Weight independent height adjustment 80mm
- Stepless tilt adjustment for seat cushion 8°
- 3" 2-point belt
- 640mm backrest
- Manual air system (Push-Pull)
- Built in 12V compressor
- XSS foam in seat and backrest cushion with extra side support (Only 640mm rygg)
- Quick release backrest adjustment
- Electrical heating
- Night fall

Seat 3130L C2 (54618397)

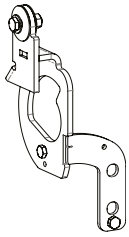


- Seat
- Seat brackets
- Armrests
- Turntable
- Slide rails
- Comfort neckrest
- 2P belt

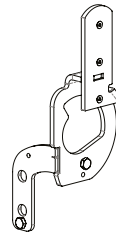
Seat 7130L C2 (54618473)



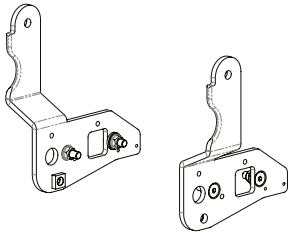
- Seat
- Seat brackets
- Armrests
- Turntable
- Slide rails
- Std neckrest
- 2P belt



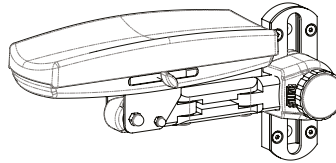
Seat bracket BeGe 3000
800702 LH
800703 RH



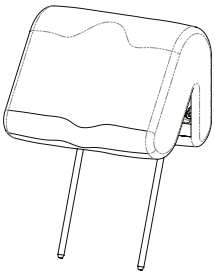
Seat bracket BeGe
800730 RH
800731 LH



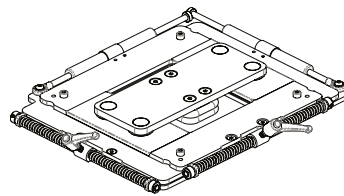
**Seat bracket Kserie BeGe
7000/9000 TJ LH+RH**
800101



Armrests
800170 Armflex E 80 LH
800171 Armflex E 80 RH

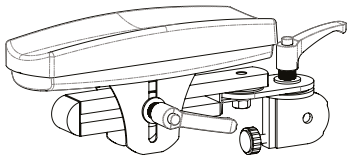


Head rest
42020203-1

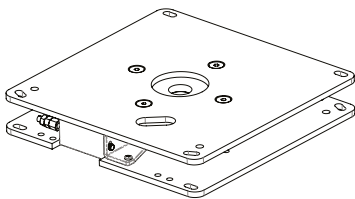


Isolator 4-way
14020310

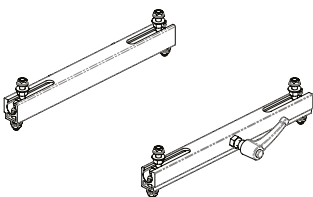
*Optional



Armrest
800113 Armrest K/4/25 LH
800114 Armrest K/4/25 RH



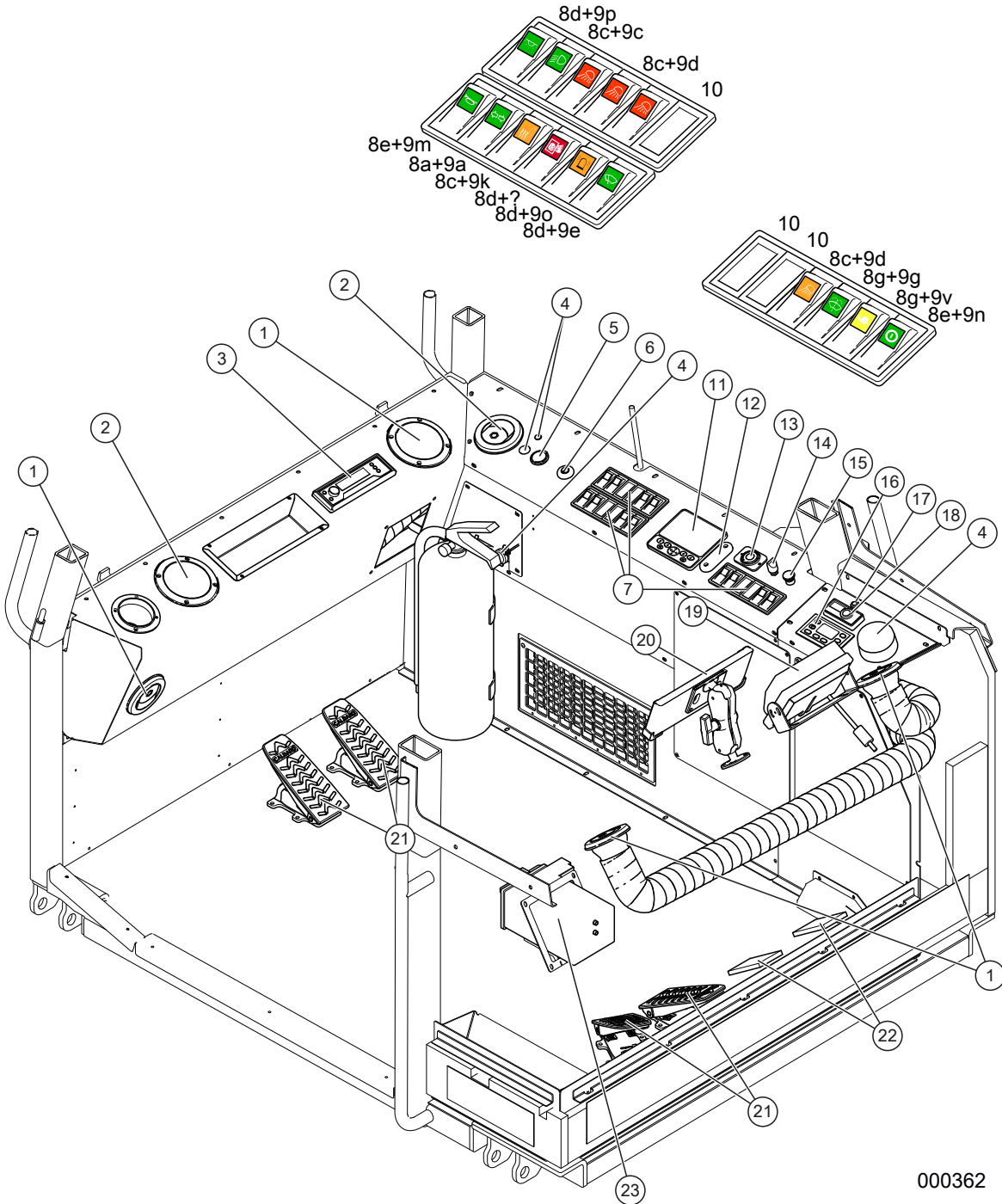
Turntable EV97
13030877



**Slides 280 mm (for 7130-
seat only)**
22020202

9 ELECTRICAL SYSTEM

Switches etc. inside cab

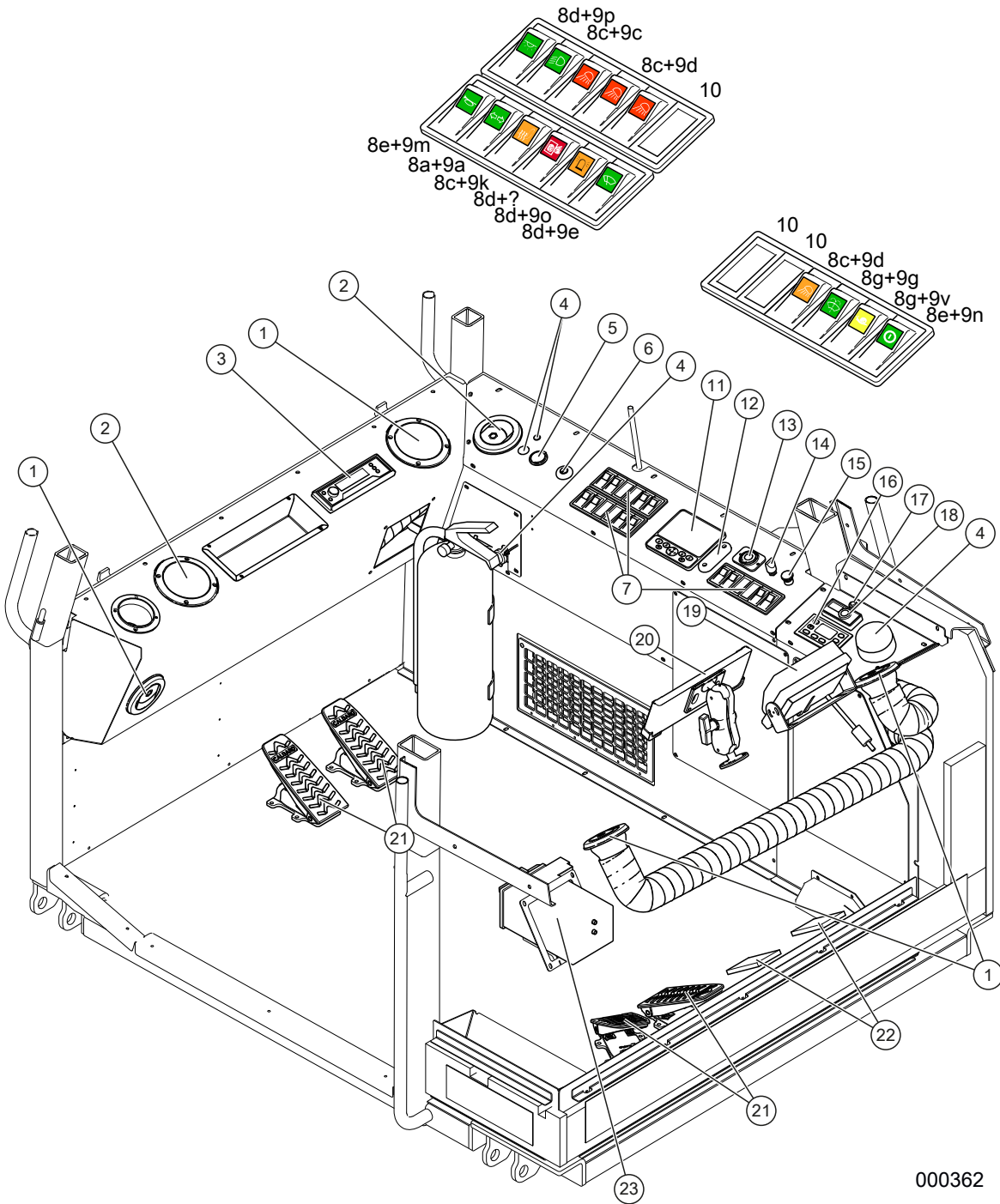


000362

Switches etc. inside cab

Pos	Art.	Qty.	Description	Remarks
				Up to machine T23-026. Not T23-016.
1	KT-790708	5 pcs	Air nozzle	
2	KT-791194	2 pcs	Speaker	
3	KT-791097	1 pc	DAB radio	12V. BT, USB, SD reader
4	KT-791310	1 pc	Fire suppression system Fogmaker	
5	KT-791264	1 pc	Socket	12V, recessed
6	KT-790863	1 pc	Immobiliser CAT	
-	KT-790863-1	1 pc	Key immobiliser CAT	
7	T4299181	3 pcs	Switch panel	
	T51079		Light bulb switch	
	T51078		Lamp holder switch	
8a	T50153		Switch 146	
b	KT-890049		Switch 020	
c	T4299185		Switch, 001	
d	KT-890049		Switch 020	
e	T50125		Switch 007	
f	T50330		Switch 112	
g	T50545		Switch 226	Wheeled machine
	KT-890049		Switch 020	Tracked machine
9a	T50128		Symbol	Turn signal
b	T4299189		Symbol	High beam
c	T4299190		Symbol	Low beam
d	T4299191		Symbol	Work lights
e	T50032		Symbol	Wiper
f	T4299195		Symbol	Brake
g	T50033		Symbol	Wiper/Washer
h	KT-791043		Symbol	Snail
l	KT-890135		Symbol	Differential lock
j	T50557		Symbol	Return oil filter
k	T50550		Symbol	Seat heater
l	T50366		Symbol	Red
m	T50127		Symbol	Signal
n	KT-790862		Symbol	OFF/ON
o	KT-790785		Symbol	Rotating beacon
p	KT-791272		Symbol	Internal light
10	T50237		Cover	

Switches etc. inside cab

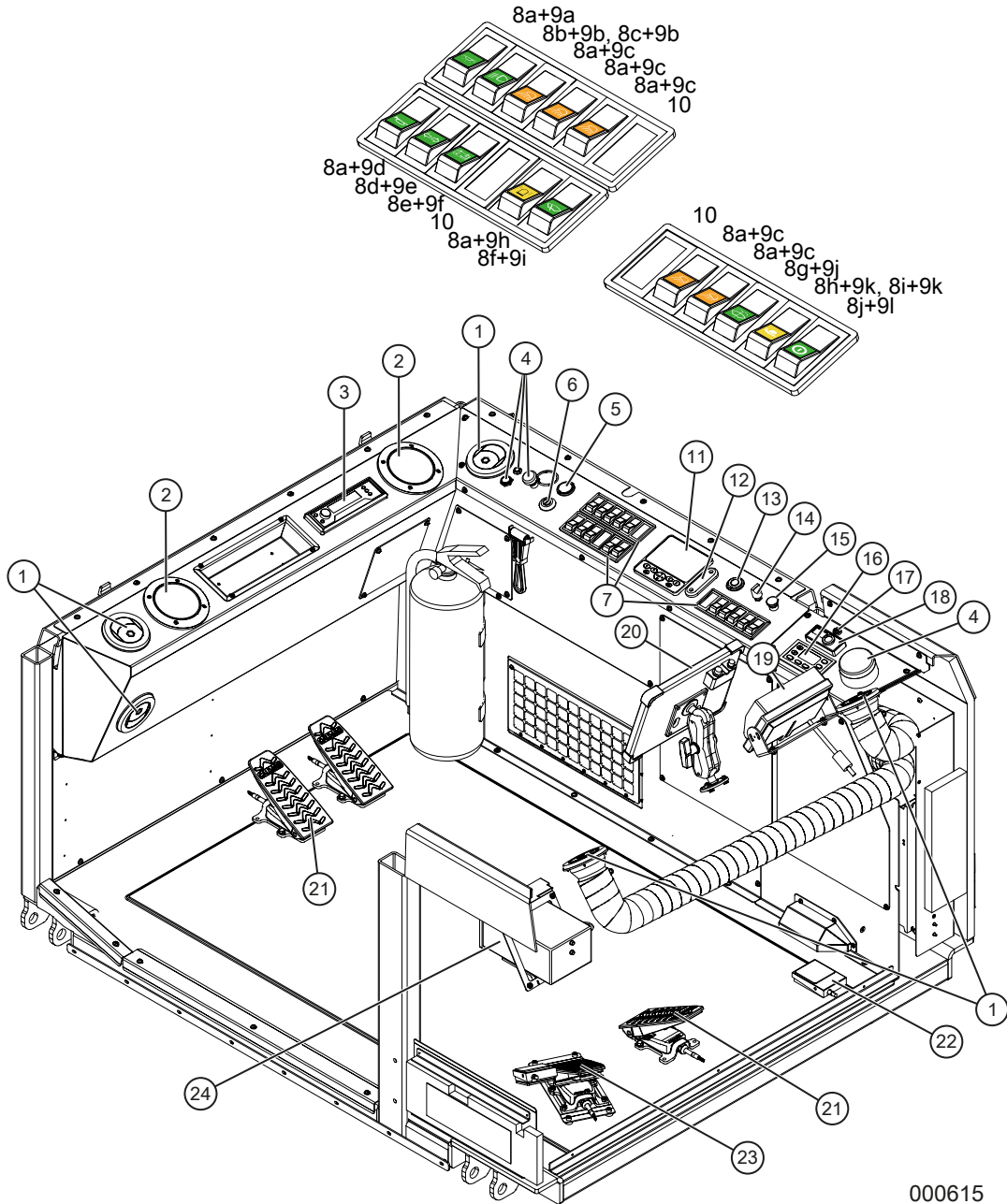


000362

Switches etc. inside cab

Pos	Art.	Qty.	Description	Remarks
11	KT-791203	1 pc	Display	Plus 1
-	KT-791203-1	1 pc	Bracket	
-	KT-791203-2	1 pc	Cable	
12	KT-4690135	1 pc	LED lamp	Red
13	KT-790948	1 pc	USB socket	Double
14	KT-790595	1 pc	Potentiometer	
15	KT-790879	1 pc	Emergency stop, CAT	
16	KT-791313	1 pc	ECC controller	Universal plus Series4
17	KT-791362	1 pc	Push button	Easy start web TP7.1
	KT-791363	1 pc	Push button	Easy start GSM
18	KT-240008	1 pc	Eberspächer controller	
19	KT-791116	1 pc	Camera assembly	7" HD
-	KT-791116-1	1 pc	Monitor	7" HD
-	KT-791116-2		Camera/Reversing camera	HD
-	KT-791116-3		Cable rear view camera	L=3000 mm
-	KT-791116-4		Cable rear view camera	L=5000 mm
-	KT-791116-5		Cable rear view camera	L=10000 mm
-	KT-791116-6		Cable rear view camera	L=15000 mm
20	KT-785179	1 pc	Logmax 510 display	
21	KT-791062	4 pcs	Foot pedal Caldaro	Incl. 1 m cable DTM
22	T50549	2 pcs	Foot switch	Articulation lock
23	KT-240009	1 pc	Lunch box heater	24V

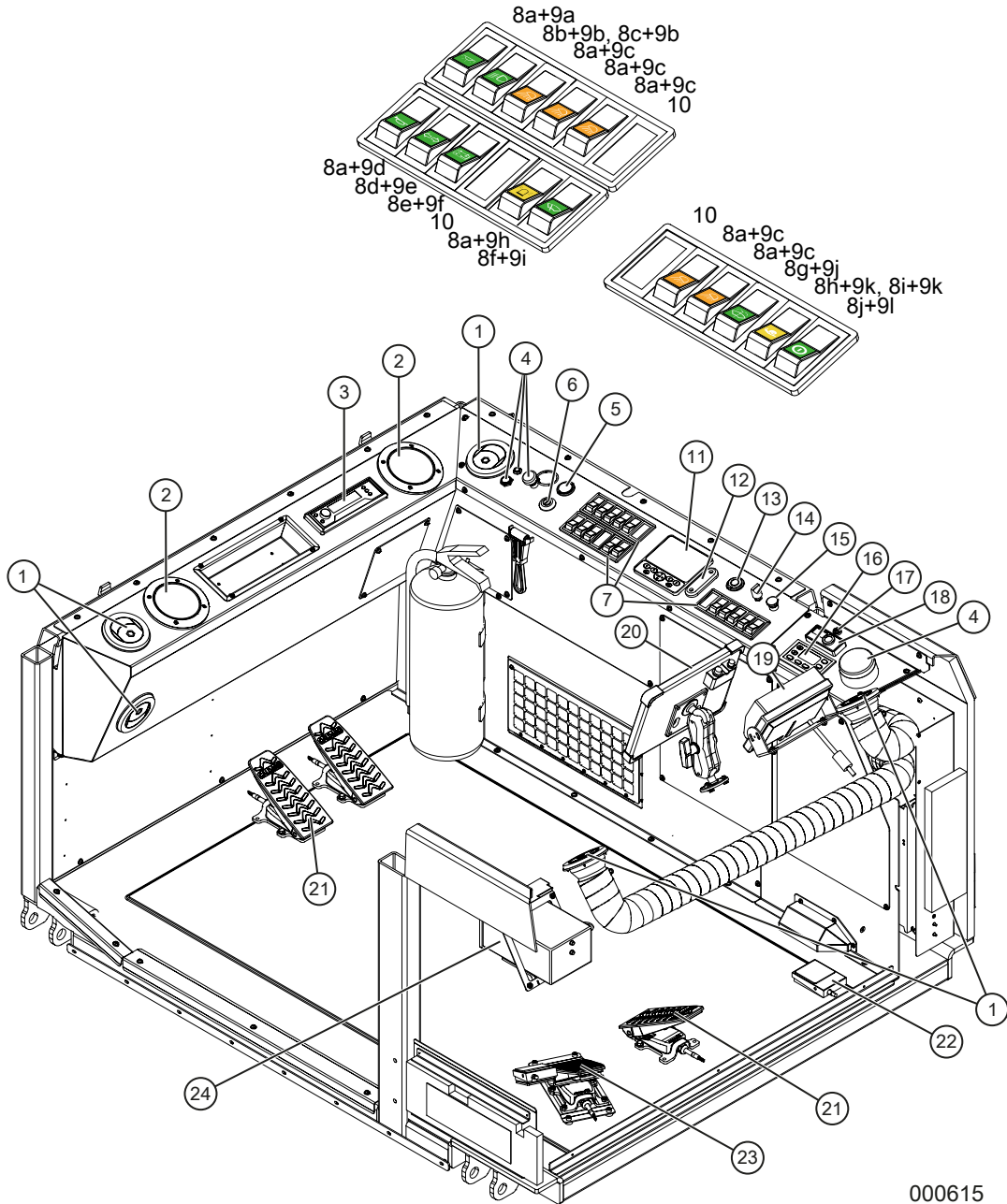
Switches etc. inside cab



Switches etc. inside cab

Pos	Art.	Qty.	Description	Remarks
				From machine T23-027. Also T23-016.
1	KT-790708	5 pcs	Air nozzle	
2	KT-791194	2 pcs	Speaker	
3	KT-791439	1 pc	DAB radio	24V. DAB/USB/BT/AUX
4	KT-791310	1 pc	Fire suppression system Fogmaker	
5	KT-791443	1 pc	Socket	24V, recessed
6	KT-790863	1 pc	Immobiliser	
-	KT-790863-1	1 pc	Key	
7	T4299181	3 pcs	Switch panel	
	T51079		Light bulb switch	
	T51078		Lamp holder switch	
8a	T4299185-1		Switch 000	
b	T4299186		Switch 026	H4
c	T50545		Switch 226	H7
d	T50153		Switch 146	
e	KT-791448		Switch 181	
f	KT-890049-1		Switch 019	
g	T50330		Switch 112	
h	T50153		Switch 146	Wheeled machine
i	T4299185-1		Switch 000	Tracked machine
j	KT-791060		Switch 127	
9a	KT-791272		Symbol	Internal light
b	T4299190		Symbol	Low beam
c	T4299191		Symbol	Work lights
d	T50127		Symbol	Signal
e	T50128		Symbol	Turn signal
b	T4299189		Symbol	High beam
c	T4299190		Symbol	Low beam
d	T4299191		Symbol	Work lights
e	T50032		Symbol	Wiper
f	TE-703541		Symbol	Power switch
g	T50550		Symbol	Seat heater (not illustrated)
h	KT-790785		Symbol	Rotating beacon
i	T50032		Symbol	Wiper
j	T50033		Symbol	Wiper/Washer
k	KT-890135		Symbol	Snail

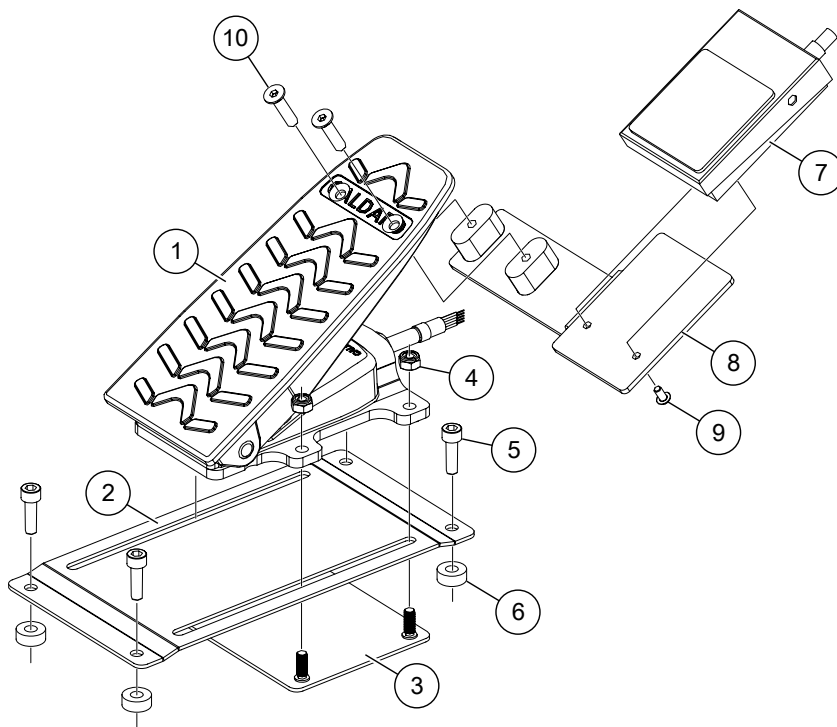
Switches etc. inside cab



Switches etc. inside cab

Pos	Art.	Qty.	Description	Remarks
I	KT-790862		Symbol	OFF/ON
10	T50237		Cover	
11	KT-791203	1 pc	Display	Plus 1
-	KT-791203-1	1 pc	Bracket	
-	KT-791203-2	1 pc	Cable	
12	KT-4690135	1 pc	LED lamp	Red
13	KT-791438	1 pc	Charging socket	USB-C/USB-A
14	KT-790595	1 pc	Potentiometer	
15	KT-790879	1 pc	Emergency stop	
16	KT-791313	1 pc	ECC controller	Universal plus Series4
17	KT-791362	1 pc	Push button	Easy start web TP7.1
	KT-791363	1 pc	Push button	Easy start GSM
18	KT-240008	1 pc	Eberspächer controller	
19	KT-791116	1 pc	Camera assembly	7" HD
-	KT-791116-1	1 pc	Monitor	7" HD
-	KT-791116-2		Camera/Reversing camera	HD
-	KT-791116-3		Cable rear view camera	L=3000 mm
-	KT-791116-4		Cable rear view camera	L=5000 mm
-	KT-791116-5		Cable rear view camera	L=10000 mm
-	KT-791116-6		Cable rear view camera	L=15000 mm
20	KT-785179	1 pc	Logmax 510 display	
21	KT-791062	3 pcs	Foot pedal Caldaro	Incl. 1 m cable DTM
22	T50549	1 pc	Foot switch	Articulation lock. Up to machine T24-004.
	T50549	1 pc	Foot switch	articulation lock/Direction of travel. From machine T24-005
23		1 pc	Throttle pedal, moveable	See <i>Throttle pedal, moveable with foot switch for direction of travel</i> , page 207 or <i>Throttle pedal, moveable without foot switch for direction of travel</i> , page 209.
24	KT-240009	1 pc	Lunch box heater	24V

Throttle pedal, moveable with foot switch for direction of travel

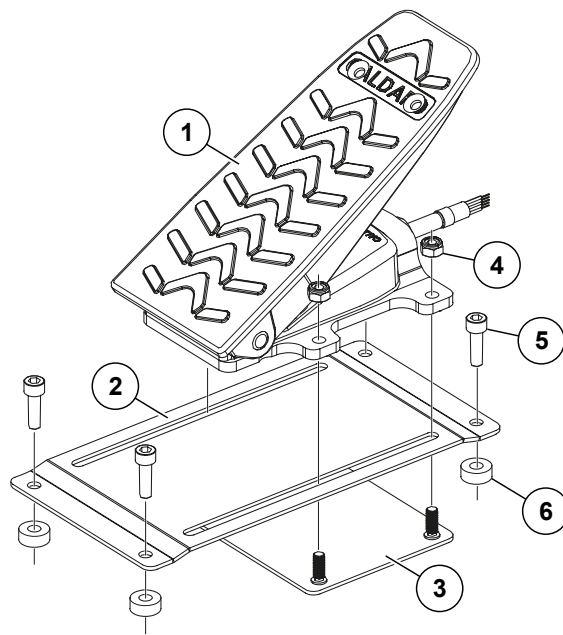


000570

Throttle pedal, moveable with foot switch for direction of travel

Pos	Art.	Qty.	Description	Remarks
				Up to machine T24-004.
1	KT-791062	1 pc	Pedal	Machined (drilled/countersunk)
2	TE-702798	1 pc	Upper part moveable throttle pedal attachment	
3	TE-702797	1 pc	Lower part moveable throttle pedal attachment	
4	K6133	4 pcs	Lock nut	M6M 6 Locking ring
5	K6062-3	4 pcs	Hex screw	MC6S 6x20 8.8 FZB
6	TE-702866	4 pcs	Spacer	T=6 mm
7	T50549	1 pc	Foot switch	Articulation lock
8	TE-703066	1 pc	Mounting bracket	
9	K6078-28	2 pcs	Screw	MK6S 4 x 8 10.9 FZB
10	K6085-0012	2 pcs	Screw	MF6S 6x25 10.9 FZB

Throttle pedal, moveable without foot switch for direction of travel

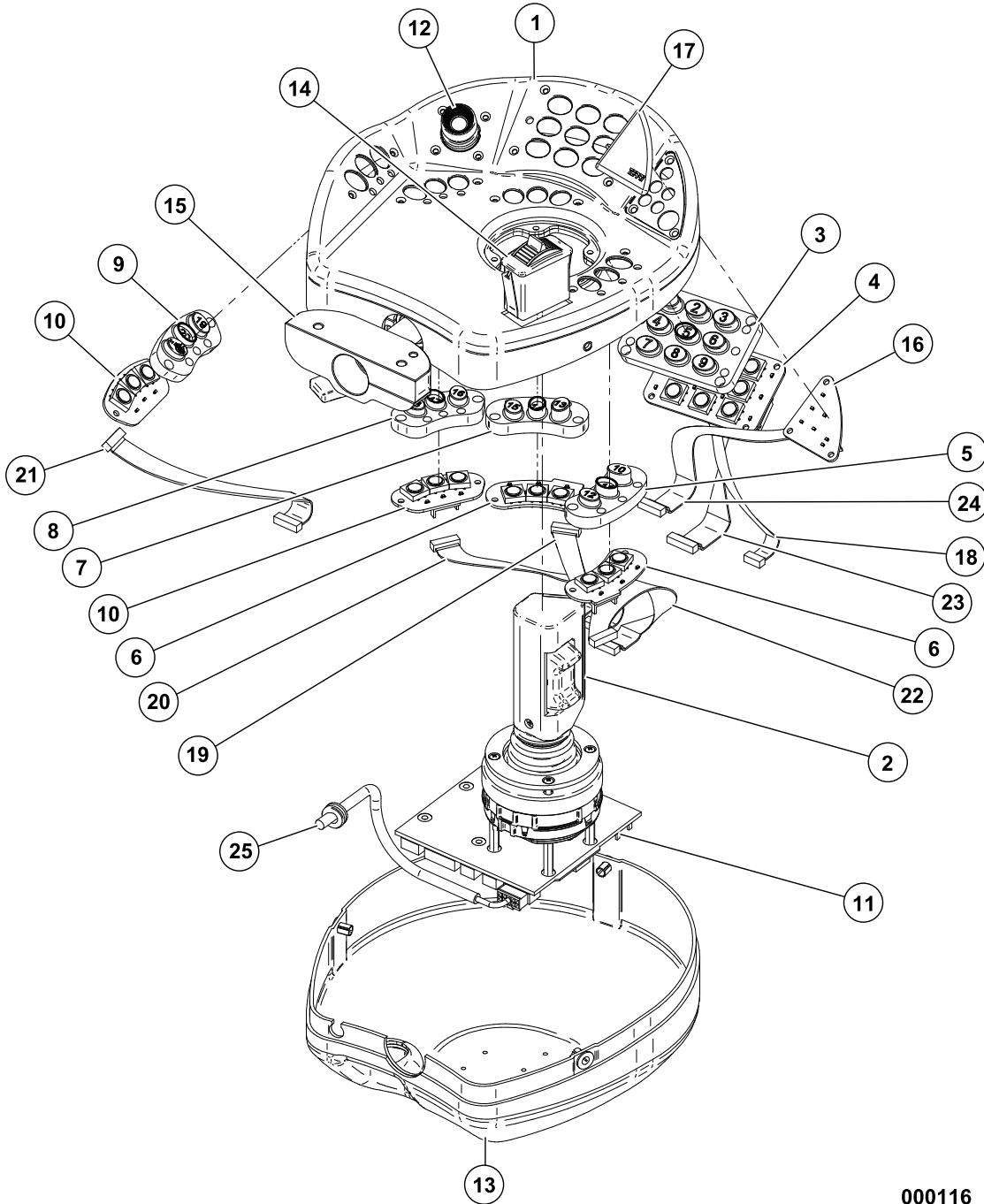


000654

Throttle pedal, moveable without foot switch for direction of travel

Pos	Art.	Qty.	Description	Remarks
				From machine T24-005.
1	KT-791062	1 pc	Pedal	
2	TE-702798	1 pc	Upper part moveable throttle pedal attachment	
3	TE-702797	1 pc	Lower part moveable throttle pedal attachment	
4	K6133	4 pcs	Lock nut	M6M 6 Locking ring
5	K6062-3	4 pcs	Hex screw	MC6S 6x20 8.8 FZB
6	TE-702866	4 pcs	Spacer	T=6 mm

Lever pallet, left

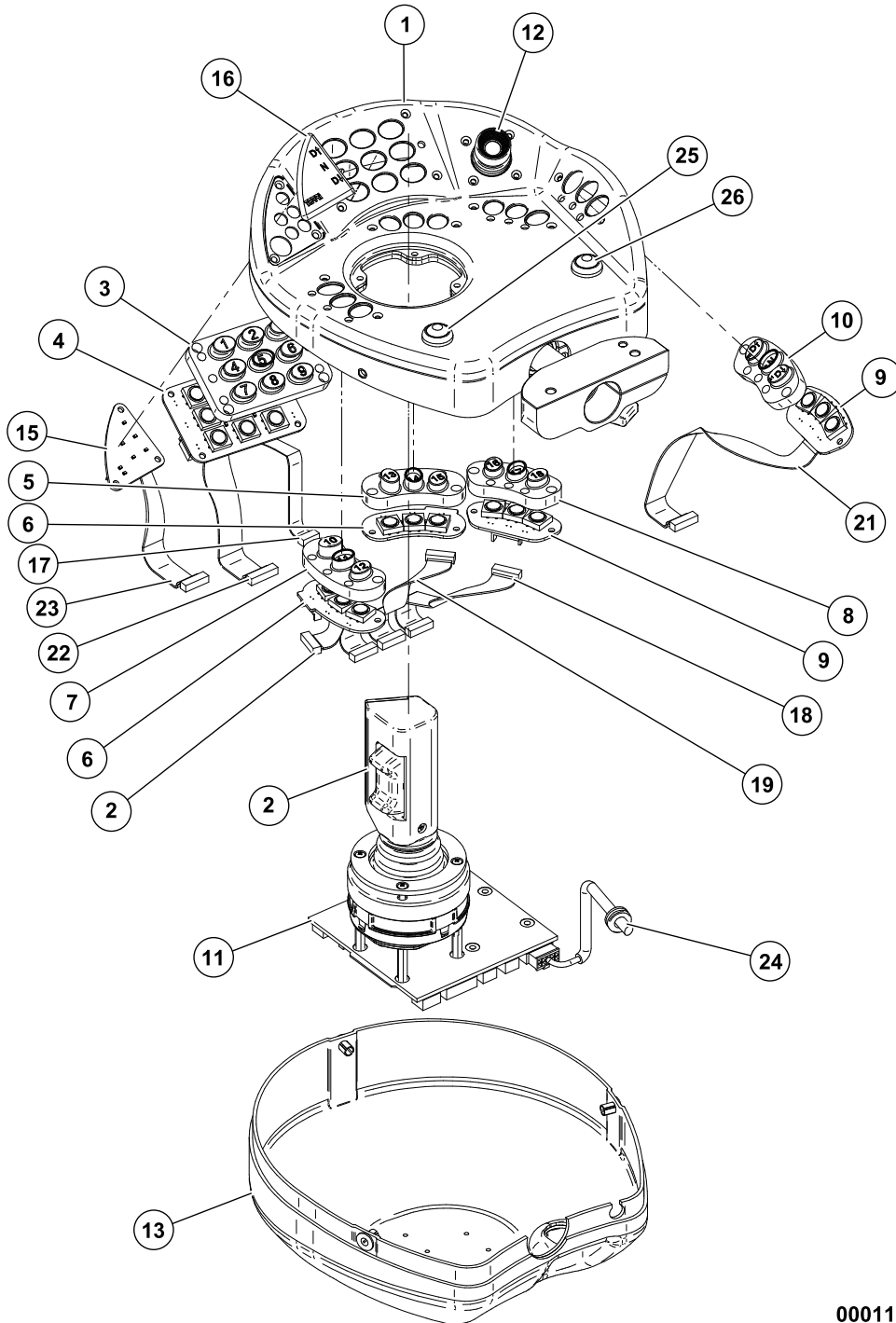


000116

Lever pallet, left

Pos	Art.	Qty.	Description	Remarks
	KT-790944	1 pc	ExciPad 2006 Left	Complete. Up to machine T23-026. Replaced by KT-703182-V
	KT-703182-V	1 pc	Excipad 2006 Left	Complete. From machine T23-027. Replaces KT-790944.
	TE-703710	1 pc	Adapter cable	Required when mounting KT-703182-V on machines up to T23-026
1		1 pc	EP2006 Cover upper cpl left	
2	KT-S3313	1 pc	Mini lever Excidor Right 3A5D JHM Y-int	
-	KT-S3309	1 pc	PCB 5-button mini lever 1.57N	
-	KT-S8495	1 pc	Thumbwheel mini lever JHM	
3	KT-S5692-1	1 pc	EP2006 Silicone Terri Harvest Left	
4	KT-S6883	1 pc	EP2006 PCB cpl 9-button v2	
5		1 pc	EP2006 Silicone 3-button harvester. Left	
6	KT-S6884	2 pcs	EP2006 PCB cpl 3 buttons	
7	KT-S5692-2	1 pc	EP2006 Silicone 3-button harvester. Left	
8	KT-S5692-4	1 pc	EP2006 Silicone 3-button harvester. Left	
9	KT-S5692-5	1 pc	EP2006 Silicone 3-button harvester. Left	
10	KT-S6885	2 pcs	EP2006 PCB cpl 3 buttons	
11		1 pc	EP2006 PCB cpl CanBus std	
12	TE-791087	1 pc	Finger joystick Excidor, complete	Levelling
13		1 pc	EP2006 Cover lower cpl left	
14	KT-S6960	1 pc	Roller Otto HTW Friction cpl	Speed reduction
15		1 pc	Bracket 2LK left cpl with locking lever	
16		1 pc	EP2006 PCB cpl LED left	
17	KT-790944-1	1 pc	EP2006 Sticker Left Terry	
18		1 pc	Flat ribbon cable 6-way cpl L250	
19		1 pc	Flat ribbon cable 10-way cpl L250	
20		1 pc	Flat ribbon cable 10-way cpl L250	
21		1 pc	Flat ribbon cable 10-way cpl L250	
22		1 pc	Flat ribbon cable 10-way cpl L250	
23		1 pc	Flat ribbon cable 12-way cpl L150	
24		1 pc	Flat ribbon cable 10-way cpl L250	
25		1 pc	EP2006 Cable harness left ID11 1300 mm	

Lever pallet, right

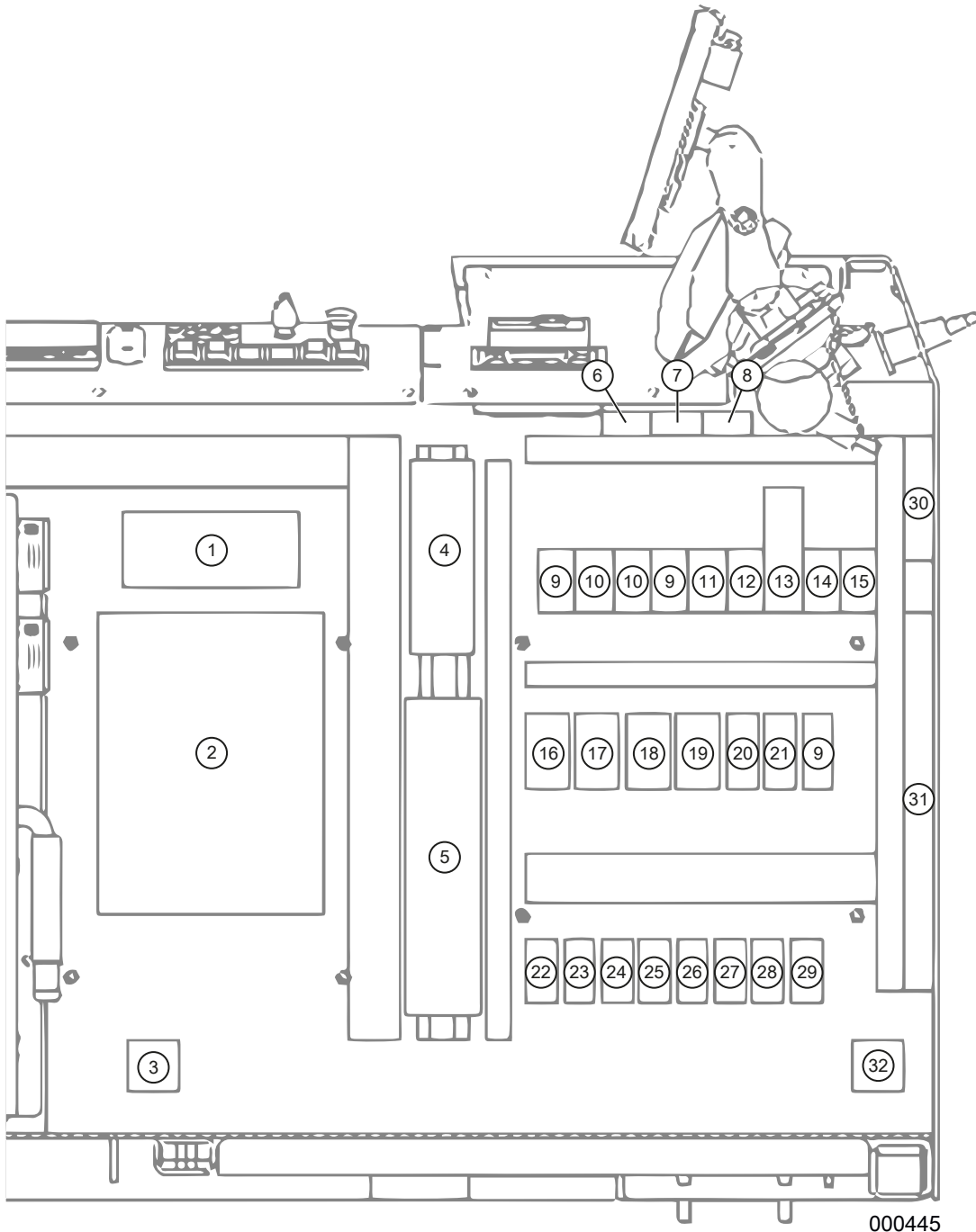


000117

Lever pallet, right

Pos	Art.	Qty.	Description	Remarks
	KT-790945	1 pc	ExciPad 2006 Right	Complete. Up to machine T23-026. Replaced by KT-703182-H
	KT-703182-H	1 pc	ExciPad 2006 Right	Complete. From machine T23-027. Replaces KT-790945.
	TE-703709	1 pc	Adapter cable	Required when mounting KT-703182-H on machines up to T23-026
1		1 pc	EP2006 Cover upper cpl right	
2	KT-S3313	1 pc	Mini lever Excidor Right 3A5D JHM Y-int	
-	KT-S3309	1 pc	PCB 5-button mini lever 1.57N	
-	KT-S8495	1 pc	Thumbwheel mini lever JHM	
3	KT-S5693-1	1 pc	EP2006 Silicone 9-button harvester. Right	
4	KT-S6883	1 pc	EP2006 PCB cpl 9-button v2	
5	KT-S5693-3	1 pc	EP2006 Silicone 3-button harvester. Right	
6	KT-S6884	2 pcs	EP2006 PCB cpl 3 buttons	
7	KT-S5693-2	1 pc	EP2006 Silicone 3-button harvester. Right	
8	KT-S5693-4	1 pc	EP2006 Silicone 3-button harvester. Right	
9	KT-S6885	2 pcs	EP2006 PCB cpl 3 buttons	
10	KT-S5693-5	1 pc	EP2006 Silicone 3-button Right	
11		1 pc	EP2006 PCB cpl CanBus std	
12	TE-791087	1 pc	Finger joystick Excidor, complete	Machine steering
13		1 pc	EP2006 Cover lower cpl right 2LK	
14		1 pc	Bracket 2LK right cpl with locking lever	
15		1 pc	EP2006 PCB cpl LED right	
16	KT-790945-1	1 pc	EP2006 Decal Right Terri	
17		1 pc	Flat ribbon cable 6-way cpl L250	
18		1 pc	Flat ribbon cable 10-way cpl L250	
19		1 pc	Flat ribbon cable 10-way cpl L250	
20		1 pc	Flat ribbon cable 10-way cpl L250	
21		1 pc	Flat ribbon cable 10-way cpl L250	
22		1 pc	Flat ribbon cable 12-way cpl L150	
23		1 pc	Flat ribbon cable 10-way cpl L250	
24		1 pc	EP2006 Harness Right ID21 1200 mm	
25	KT-S3250	1 pc	Pressure switch with cable	Intermittent wiper
26	KT-790955	1 pc	Push button Excidor 2006	Seat brake

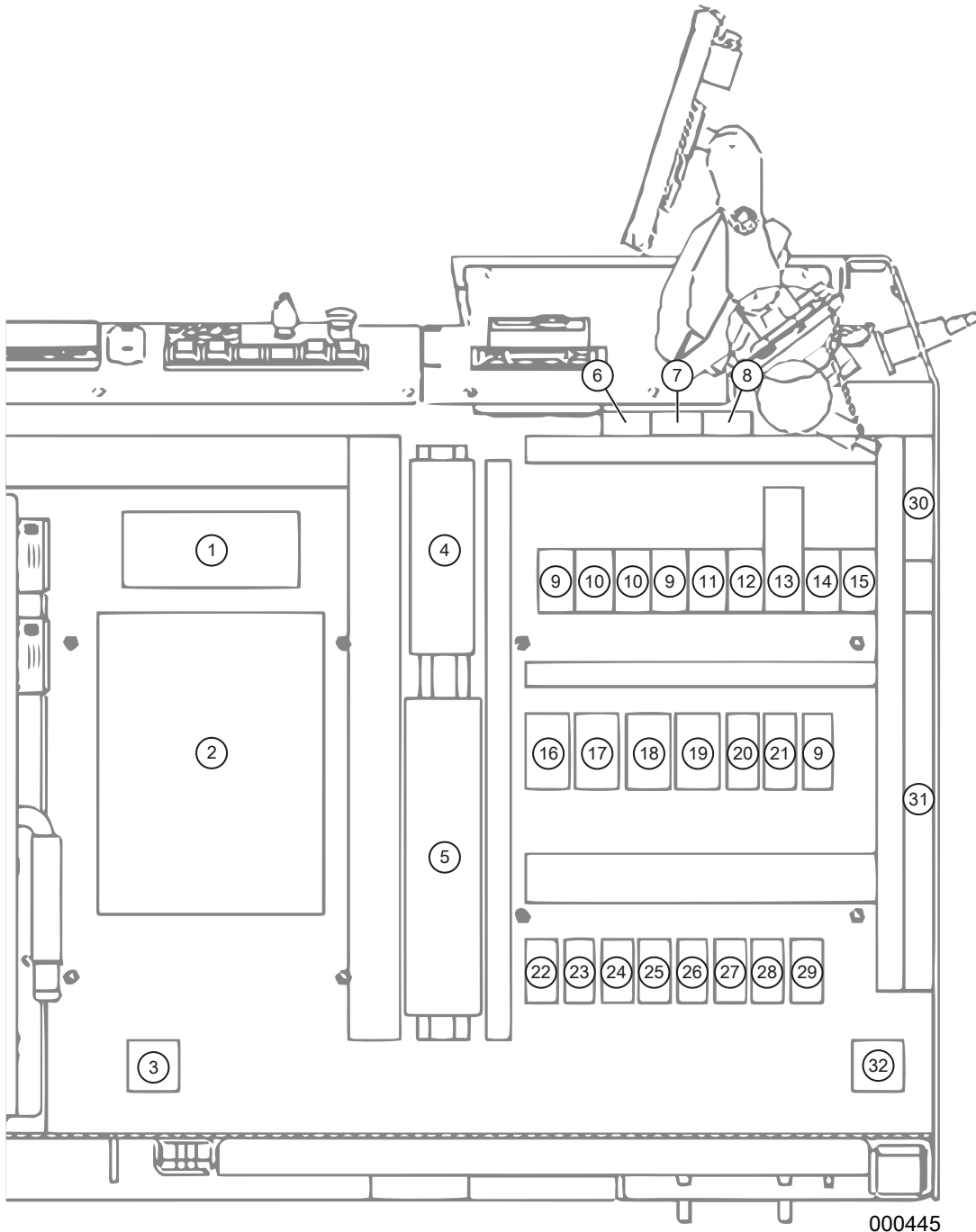
Distribution box



Distribution box

Pos	Art.	Qty.	Description	Remarks
				Up to machine T23-026. Not T23-016.
1	KT-791234	1 pc	Converter	24V-12V
2	KT-791204	1 pc	Controller Plus 1	XL104-0000
3	KT-256201		Flat fuse	5A. Eberspächer
	KT-256401		Flat fuse 10A	Eberspächer
4	KT-1012751		Feed-through terminal, UK 2.5 N	
5	KT-30012572		Connection terminal, 0.2...6 mm ²	
	KT-256301		Flat fuse	7.5A
	T50409		Flat fuse	2A
	T50165		Flat fuse	3A
	T50156		Flat fuse	15 A
	T50041		Flat fuse	20A
6	KT-175550		Terminal block	8-pin female
7	KT-175550		Terminal block	8-pin female
8	KT-175552		Terminal block	6-pin female
9	KT-58132346	3 pcs	Relay with fuse	5A
10	KT-58132346	2 pcs	Relay with fuse	7.5A
11	KT-58132346	1 pc	Relay with fuse	15A
12	KT-240027	1 pc	Switch relay	5-pin 24V 20/30A. Windscreen wiper
13	KT-240025	1 pc	Flasher relay	24V 3 conn 10-110W
14	KT-240027	1 pc	Switch relay	5-pin 24V 20/30A. Fuel pump
15	KT-240027	1 pc	Switch relay	5-pin 24V 20/30A. Eberspächer
16	KT-240027	1 pc	Switch relay	5-pin 24V 20/30A. Ignition, limited
17	KT-240027	1 pc	Switch relay	5-pin 24V 20/30A. Ignition, permanent
18	KT-240027	1 pc	Switch relay	5-pin 24V 20/30A. Ignition
19	KT-240027	1 pc	Switch relay	5-pin 24V 20/30A. ECU
20	KT-240027	1 pc	Switch relay	5-pin 24V 20/30A. Start
21	KT-58132346	1 pc	Relay with fuse	20A
22	KT-5201498060	1 pc	Fuse	MIDI 60A. Fuse 50-55
23	KT-5201498060	1 pc	Fuse	MIDI 60A. Ignition, limited
24	KT-5201498040	1 pc	Fuse	MIDI 40A. Ignition, permanent
25	KT-5201498030	1 pc	Fuse	MIDI 30A. Ignition
26	KT-5201498040	1 pc	Fuse	MIDI 40A. ECU
27	KT-5201498030	1 pc	Fuse	MIDI 30A. Start
28		1 pc	Fuse	F9xA. For extra fuse
29	KT-5201498040	1 pc	Fuse	MIDI 40A. ECC , fuses F11-13 and F31

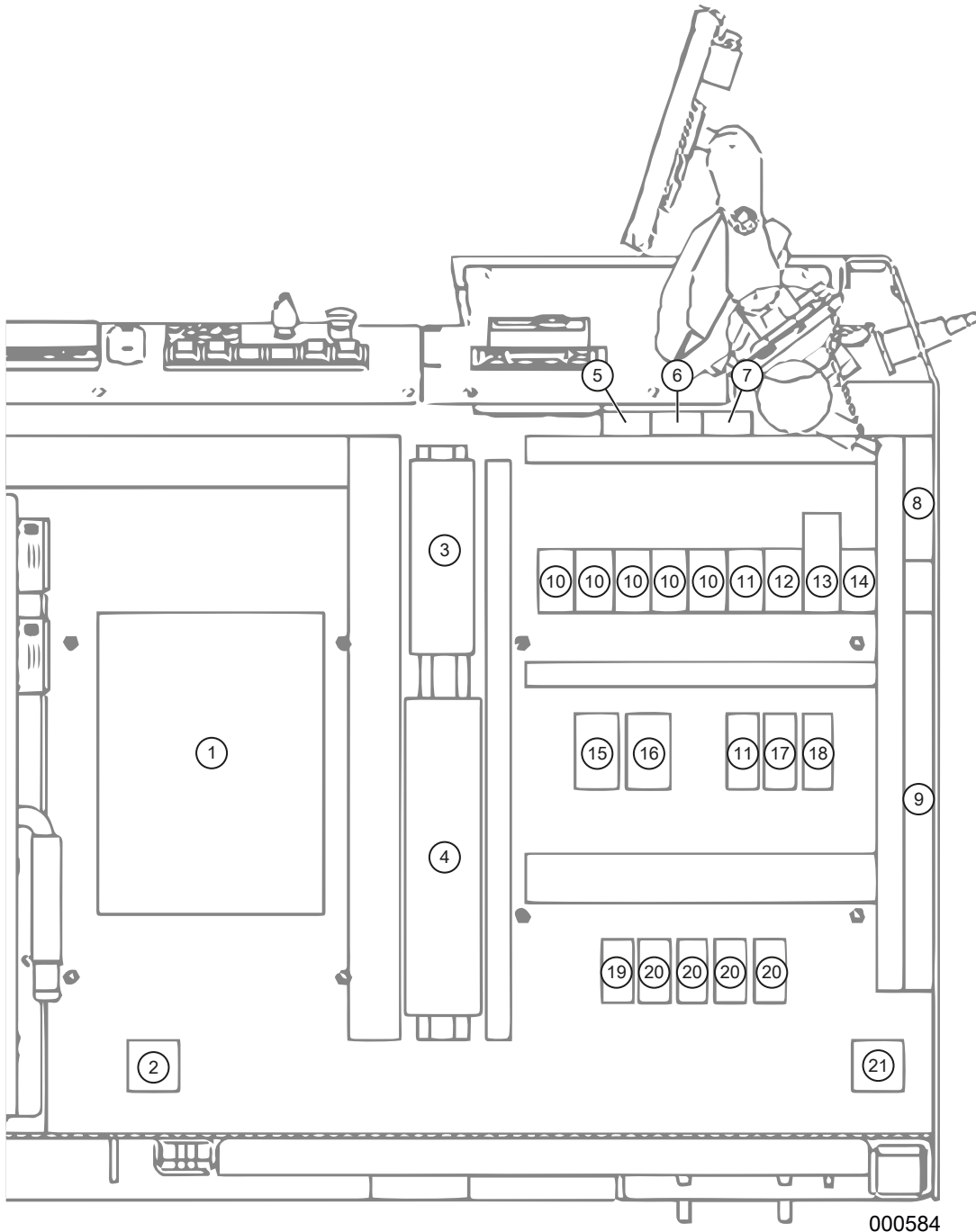
Distribution box



Distribution box

Pos	Art.	Qty.	Description	Remarks
30			Eberspächer GSM or WEBB	Option
31			LOGMAX computer	
32			Connector seat	

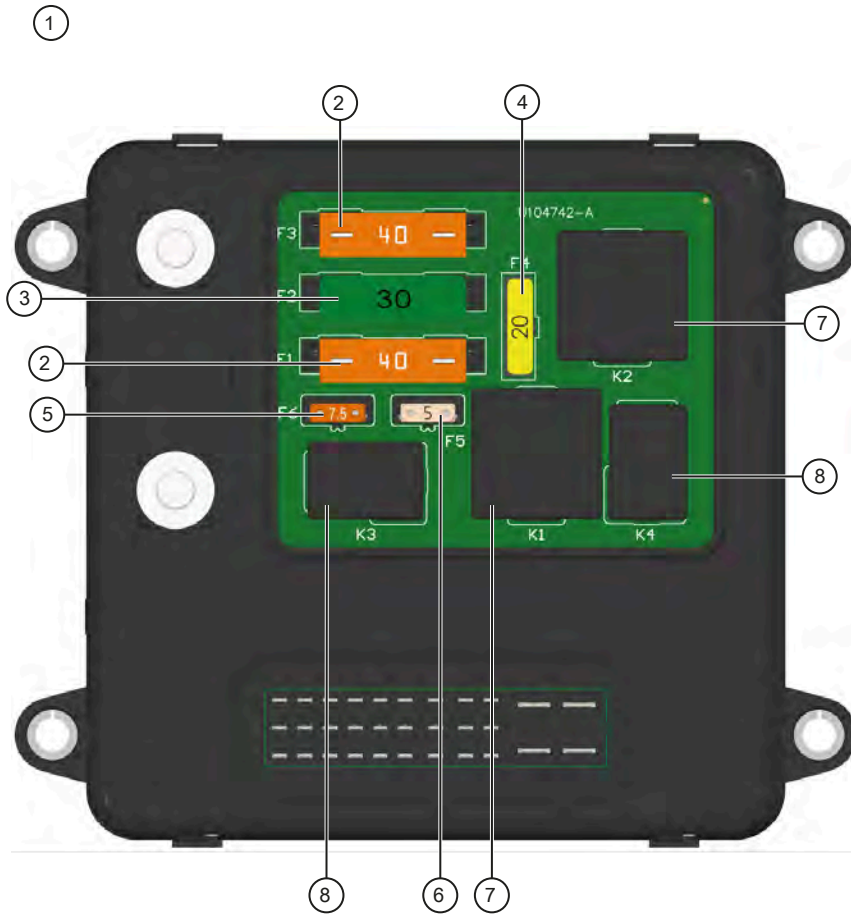
Distribution box



Distribution box

Pos	Art.	Qty.	Description	Remarks
				From machine T23-027. Also T23-016.
1	KT-791204	1 pc	Controller Plus 1	XL104-0000
2	KT-256201	1 pc	Flat fuse	5A. Eberspächer
	KT-256401	1 pc	Flat fuse	10A. Eberspächer
3	KT-1012751		Feed-through terminal, UK 2.5 N	
4	KT-30012572		Connection terminal	0.2...6 mm ²
	T50409	1 pc	Flat fuse	2A
	T50165	3 pcs	Flat fuse	3A
	KT-256201	9 pcs	Flat fuse	5A
	KT-256301	4 pcs	Flat fuse	7.5A
	KT-256401	4 pcs	Flat fuse	10A
	T50156	2 pcs	Flat fuse	15A
	T50041	1 pc	Flat fuse	20A
	KT-256701	1 pc	Flat fuse	25A
5	KT-175550	1 pc	Terminal block	8-pin female
6	KT-175550	1 pc	Terminal block	8-pin female
7	KT-175552	1 pc	Terminal block	6-pin female
8			Eberspächer GSM or WEBB	Option
9			LOGMAX computer	
10	KT-240029	5 pcs	Relay with fuse	24V 7.5A
11	KT-240029	2 pcs	Relay with fuse	24V 20A
12	KT-240028	1 pc	Mini relay	24V 20/30A. Windscreen wiper
13	KT-240025	1 pc	Flasher relay	24V 10-110W
14	KT-240031	1 pc	Switch relay	24V 20A with diode. Eberspächer
15	KT-240026	1 pc	HD relay	24V 70A with diode. Ignition, limited
16	KT-240026	1 pc	Switch relay	24V 70A with diode. Ignition, permanent
17	KT-240029	1 pc	Relay with fuse	5A
18	KT-240031	1 pc	Switch relay	24V 20A with diode. Main circuit breaker
19	KT-5201498060	1 pc	Fuse	MIDI 60A. Fuse 50-56.
20	KT-5201498040	4 pcs	Fuse	MIDI 40A
21			Connector seat	

Engine control box

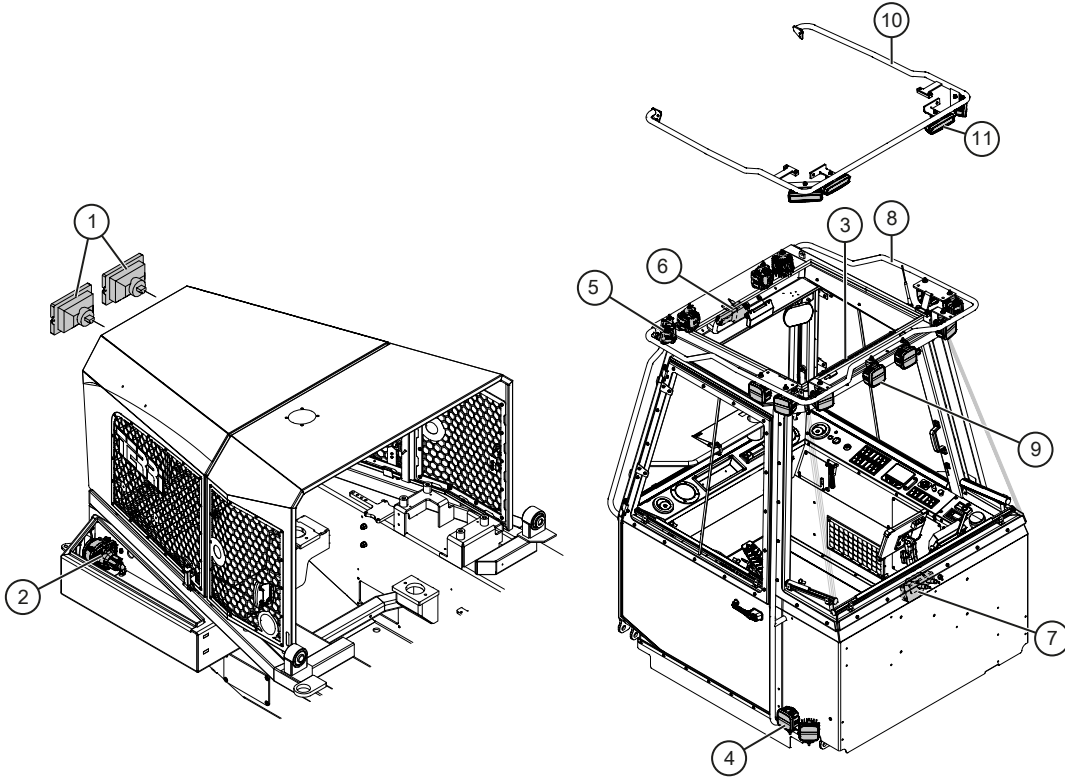


000585

Engine control box

Pos	Art.	Qty.	Description	Remarks
1	KT-703180	1 pc	Engine control box	Complete. From machine T23-027. Also T23-016.
2	KT-5201299040	2 pcs	Flat fuse	Maxi 40A
3	KT-5201299030	1 pc	Flat fuse	Maxi 30A
4	T50041	1 pc	Flat fuse	Standard 20A
5	KT-5201297005	1 pc	Flat fuse	Mini 5A
6	KT-5201297075	1 pc	Flat fuse	Mini 7.5A
7	KT-791521	2 pcs	Relay	Mini 24V
8	KT-791522	2 pcs	Relay	Micro 24V

Lighting and wiper motors



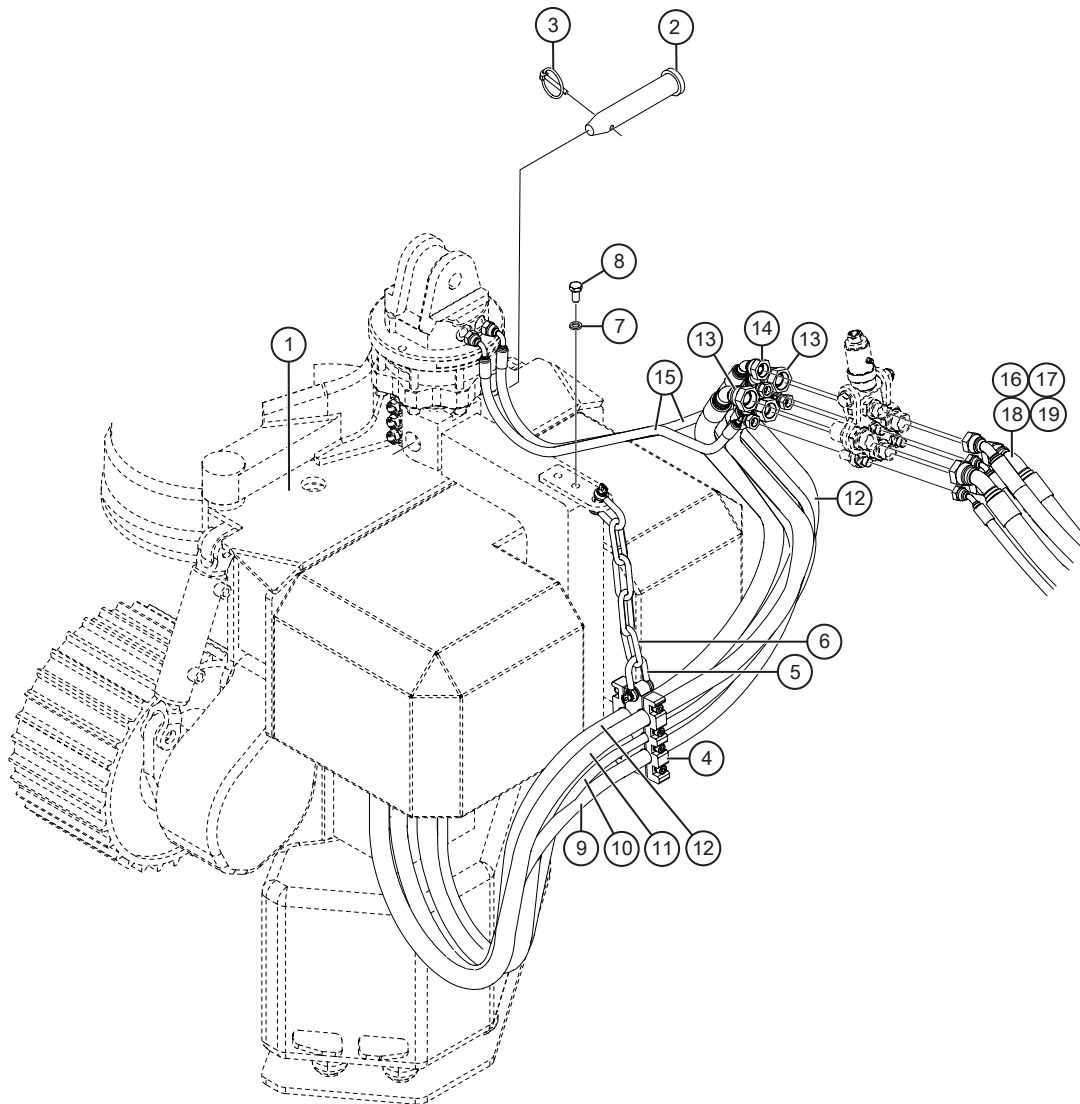
000649

Lighting and wiper motors

Pos	Art.	Qty.	Description	Remarks
1	T50535	2 pcs	Headlight	
-	KT-240010	2 pcs	Light bulb	H4 24 V
2	KT-791118	2 pcs	High/low beam headlight	12/24V
-	KT-240011	2 pcs	Light bulb	H7 24 V
3	KT-240030	1 pc	Internal light	LED strip, Cab
4	KT-791045		Work light	LED. GO 420, standing
5	KT-791045-1		Work light	LED. GO 420, hanging
6	KT-240001	1 pc	Wiper motor	24V. Windscreen
7	KT-240000	1 pc	Wiper motor	24V. Rear window
8	TE-702517		Roof rack	High
9	KT-791045-1		Work light	LED. GO 420, hanging. For high roof rack.
	TE-701235		Spacer	T=8 mm
10	TE-702520		Roof rack	Low
11	KT-791237		Work light	LED. HBA 30W. For low roof rack.

10 HARVESTER HEAD

Log Max 2000T, felling link



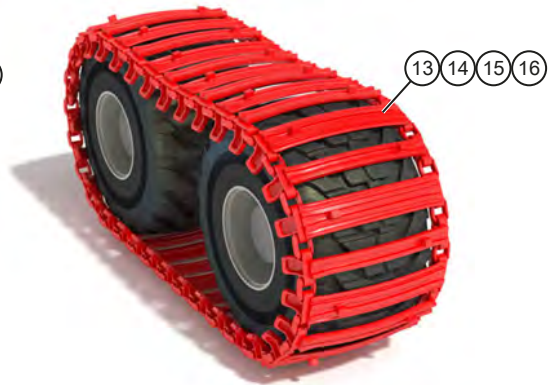
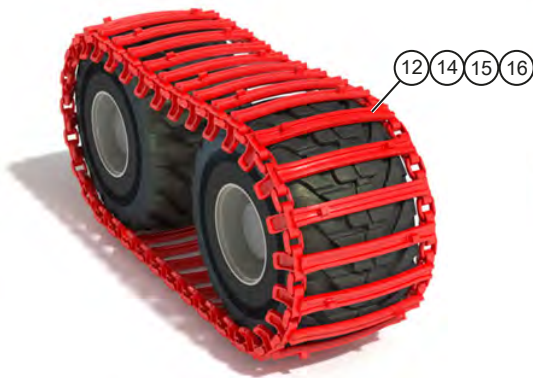
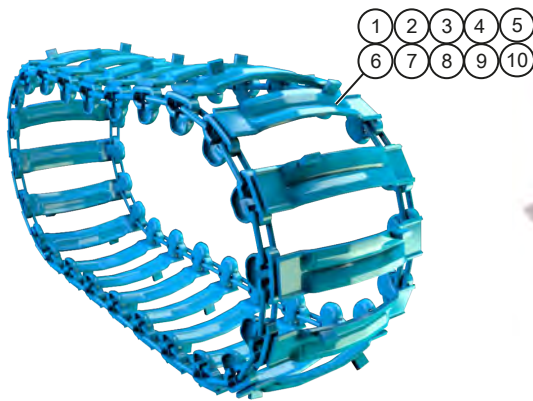
000586

Log Max 2000T, felling link

Pos	Art.	Qty.	Description	Remarks
				The parts below have been modified by Terri. For other spare parts, see the sub-supplier documentation for the unit.
1	KT-785000-2	1 pc	Log Max 2000T unit/Logmate 510	
2	TE-701279	1 pc	Cotter harvester head	
3	KT-123120	1 pc	Linch pin	TRSP 6x42
4	TE-703057	1 pc	Hose bracket 2000T HW/CW	
-	TE-703052	1 pc	Lower section	
-	TE-703054	1 pc	Middle section	
-	TE-703056	1 pc	Upper section	
-	K6065-45	6 pcs	Hex screw	MC6S 8X30 FZB
-	K6163-004	6 pcs	Nordlock washer	NL M8
5	K6626-72	2 pcs	Shackle	
6	K6626-73	LM	Chain	0.2 m
7	K6065-45	2 pcs	Screw	M6S 10x20 8.8 FZB
8	K6163-003	2 pcs	Nordlock washer	NL M10
9	TS-133250	1 pc	Hydraulic hose	1/2" L=2500 Straight-45°. Wastewater tank
10	TS-113267	1 pc	Hydraulic hose	1/4" L=2670 Straight-45°. Urea
11	TS-148253	1 pc	Hydraulic hose	5/8" L=2530 Spec. Electricity
12	TS-151250	2 pcs	Hydraulic hose	3/4" L=2500 Straight-Straight
13	KT-73051212	2 pcs	Angle adapter	3/4"UF-3/4"IR 45°
14	KT-73050808	1 pc	Angle adapter	1/2"UF-1/2"IR 45°
15	TS-113120	2 pcs	Hydraulic hose	1/4" L=1200 Straight-45°. Rotator
16	TS-113197	3 pcs	Hydraulic hose	1/4" L=1965 Straight-45°. Rotator, Urea
17	TS-133194	1 pc	Hydraulic hose	1/2" L=1945 Straight-45°. Wastewater tank
18	TS-148190	1 pc	Hydraulic hose	5/8" L=1905 Straight-45°. Electricity
19	TS-153189	2 pcs	Hydraulic hose	3/4" L=1890 Straight-45°

11 OTHER OR ADDITIONAL EQUIPMENT

Drive belt and chains

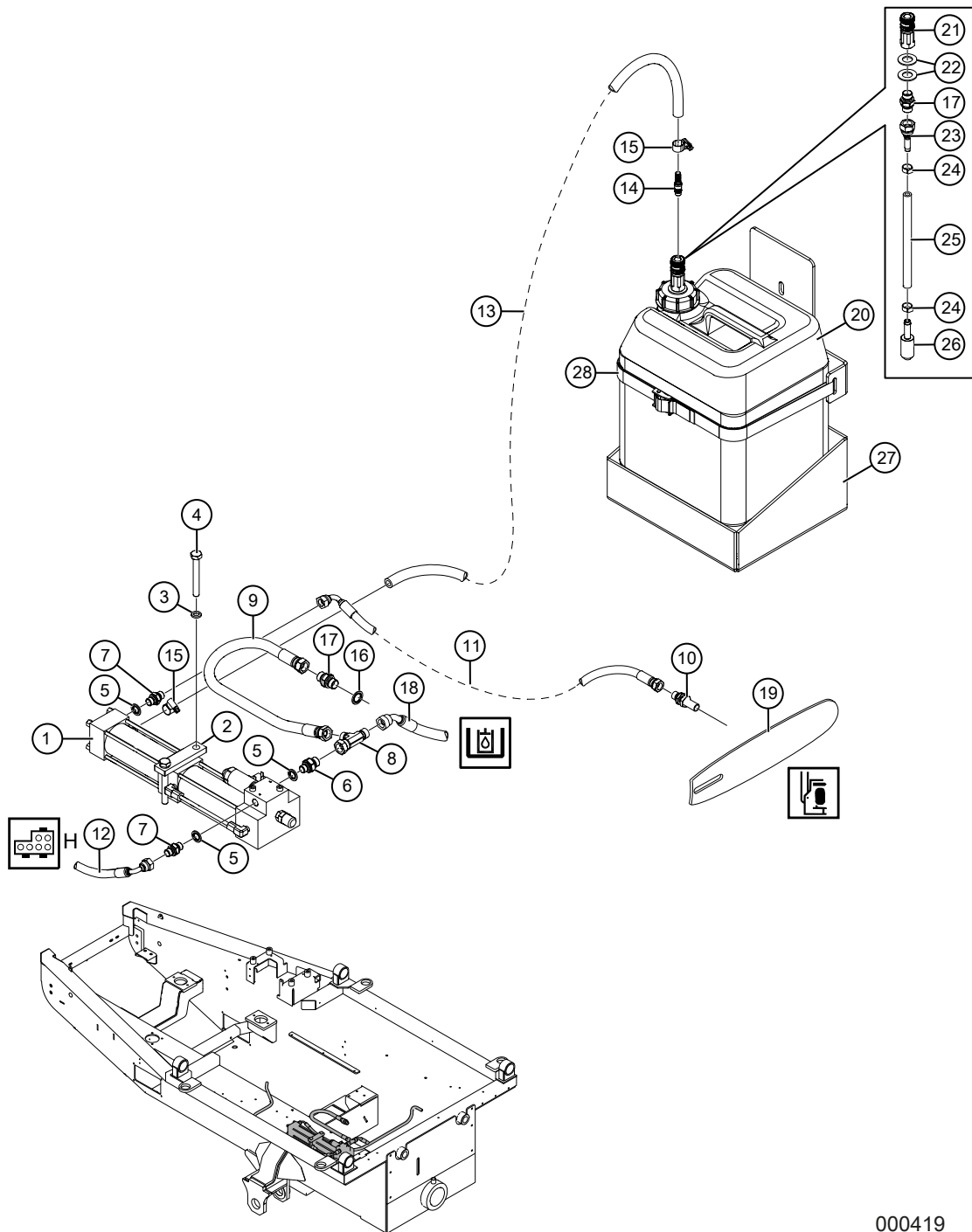


000593

Drive belt and chains

Pos	Art.	Qty.	Description	Remarks
1	KT-790979		Bogie track PRO-Lite	Olofsfors. Without studs
2	KT-790979-10		Bogie track PRO-Lite	Olofsfors. Double-studded
3	KT-790979-20		Bogie track PRO-Lite	Olofsfors. Standard studs
4	KT-790979-30		Bogie track PRO-Lite	Olofsfors. Road studs
5	KT-790979-5		Track lock	Olofsfors. \varnothing 15 part.75/25 mm
6	KT-790979-1		Track lock	Olofsfors. \varnothing 15 part.90/25 mm
7	KT-790979-6		Track lock	Olofsfors. \varnothing 15 part.100/25 mm
8	KT-790979-2		Track lock	Olofsfors. \varnothing 15 part.125/25 mm
9	KT-790979-3		Studs	Olofsfors. 30x15x40 mm
10	KT-790979-3		Track tensioner	Olofsfors
11	KT-791445		Bogie track TXL	Clark
12	KT-791497		Bogie track TL 85	Clark
13	KT-791499		Bogie track TXCL	Clark
14	KT-791447		Track tensioner	Clark
15	KT-791474		Track lock	Clark - Short (24x95 mm)
16	KT-791475		Track lock	Clark - Long (24x160 mm)

Stump treatment

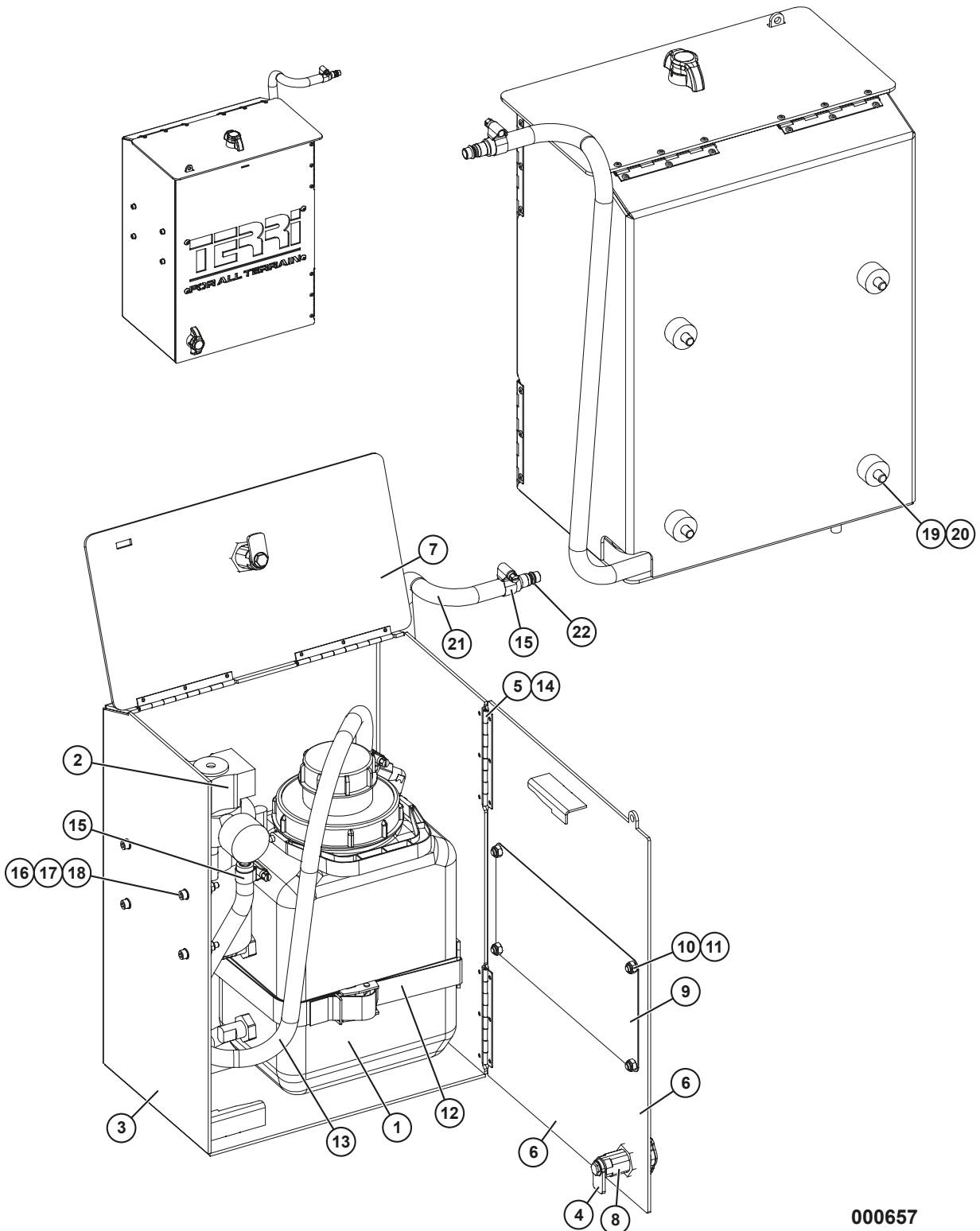


000419

Stump treatment

Pos	Art.	Qty.	Description	Remarks
1	KT-790635	1 pc	Pump	24V. PVR+CO2 2 dl
2	TE-700947	2 pcs	Clamp yoke urea pump	
3	K6163-003	2 pcs	Locking washer	Nordlock M10
4	K6078-04	2 pcs	Screw	M6S 8x100 8.8 FZB
5	KT-56010104	3 pcs	Rubber steel washer	1/4"
6	KT-70020406	1 pc	Adapter	1/4"UF-3/8"UF
7	KT-70020404	2 pcs	Adapter	1/4"UF-1/4"UF
8	KT-74040606	1 pc	T-adapter	3/8"UF/1R/UF
9	TS-123050	1 pc	Hydraulic hose	3/8" L=500 mm Straight-45°
10	KT-70900404	1 pc	Bulkhead connector	1/4"UF-1/4"UF
11	TS-112095	1 pc	Hydraulic hose	1/4" L=950 mm Straight-90°
12	TS-118090	1 pc	Hydraulic hose	1/4" L=900 mm spec.
13	KT-240502	LM	Fuel hose	8.0x3.0 mm L=3200 mm
14	K6626-82	1 pc	Nipple	CEJN 320 5/16"
15	KT-185102	2 pcs	Hose clamp	ABA ø11-17 mm
16	KT-56010106	1 pc	Rubber steel washer	3/8"
17	KT-70020606	2 pcs	Adapter	3/8"UF-3/8"UF
18	TS-128600	1 pc	Hydraulic hose	3/8" L=600 mm spec.
19	KT-790646	1 pc	Saw bar for stump treatment	2.0 mm
20	KT-267355	1 pc	Plastic can	20 L, incl. screw cap
21	K6626-80	1 pc	Safety connector	CEJN 320 3/8"
22	TE-700729	2 pcs	Washer	Stainless, 17.2x32x2
23	KT-420106061	1 pc	Connector	3/8"
24	KT-55603170	2 pcs	Hose clamp	Stepless ø14.5-17 mm
25	KT-240502	LM	Fuel hose	8.0x3.0 mm L=300 mm
26	KT-703138	1 pc	Weight	
27	TE-702968	1 pc	Canister holder	Replaces TE-700945
28	KT-K252000	1 pc	Tension belt	L=2000 mm

Cabinet Droppen cab

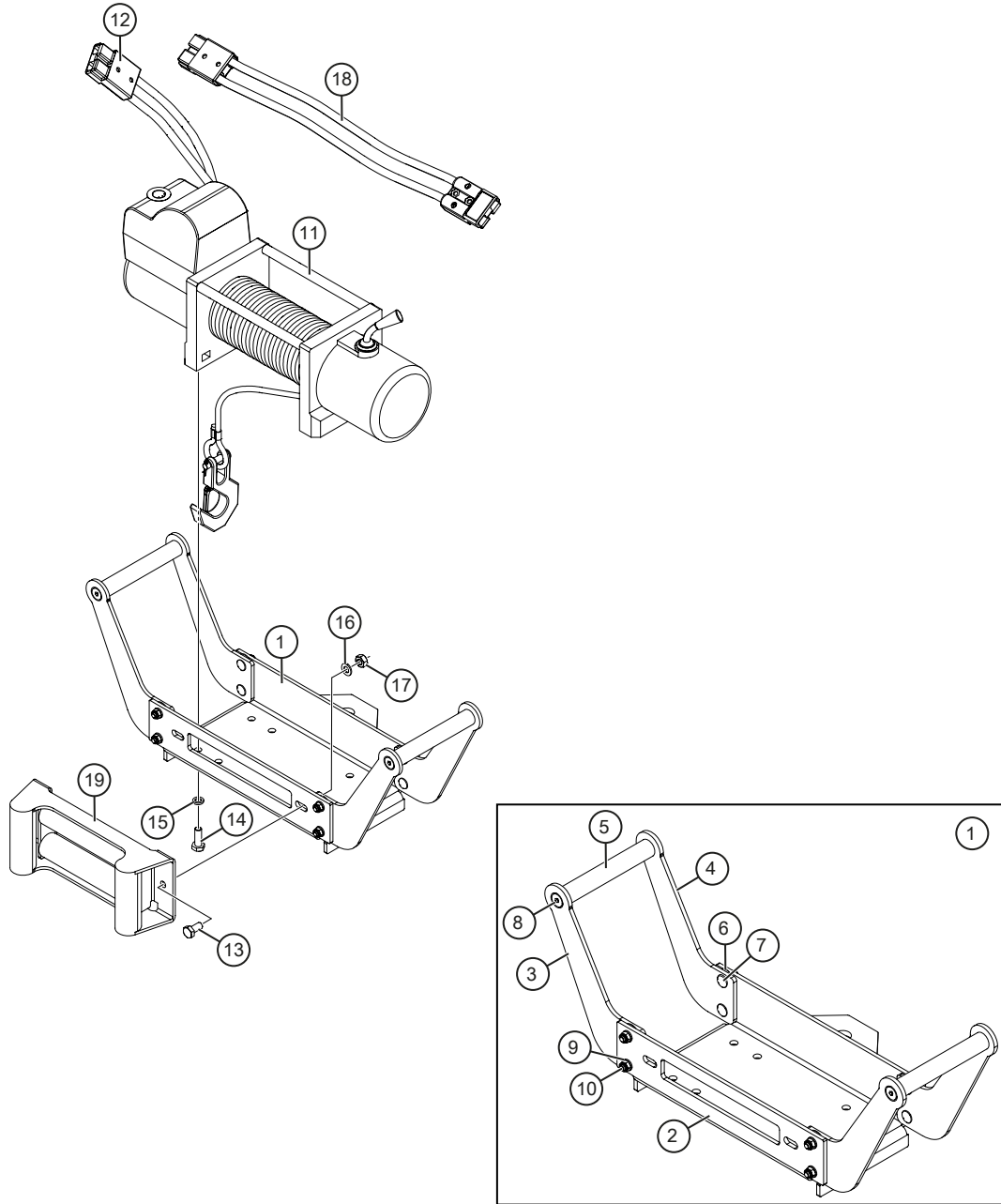


000657

Cabinet Droppen cab

Pos	Art.	Qty.	Description	Remarks
	TE-710223		Cabinet Droppen cab	Complete
1	KT-791638	1 pc	Dosage kit with canister	
2	KT-791637	1 pc	Water pump	
3	TE-703792	1 pc	Box	
4	TE-703799	2 pcs	Lock plate	
5	TE-702651	4 pcs	Hinge	1/4"
6	TE-703800	1 pc	Door	1/4"UF-3/8"UF
7	TE-703802	1 pc	Lid	1/4"UF-1/4"UF
8	KT-791284	2 pcs	Compression lock	3/8"UF/IR/UF
9	TE-701391	1 pc	Cover plate	3/8" L=500 mm Straight-45°
10	KT-266573	4 pcs	Screw	K6S 6x12 Zn-NI
11	K6133	4 pcs	Lock nut	LM6M M6 8 fzb
12	KT-K250500	1 pc	Tension belt	L=500 mm
13	KT-240502	1 pc	Fuel hose	8.0x3.0 mm L=800 mm
14	K6206-06	24 pcs	Rivet	3.2x8
15	KT-185104	4 pcs	Hose clamp	ABA ø15-24 mm
16	K6155	8 pcs	Flat washer	BRB M5 fzb
17	K6133-2	4 pcs	Lock nut	LM6M 5 8 fzb
18	09-267326	4 pcs	Hex screw	MC6S 5x35 8.8 fzb
19	K6163-004	4 pcs	Locking washer	Nordlock M8
20	K6075-02	4 pcs	Screw	M6S 8x30 8.8 fzb
21	KT-240502	1 pc	Fuel hose	8.0x3.0 mm L=1100 mm
22	KT-6626-82	1 pc	Nipple	5/16"

Electric front winch

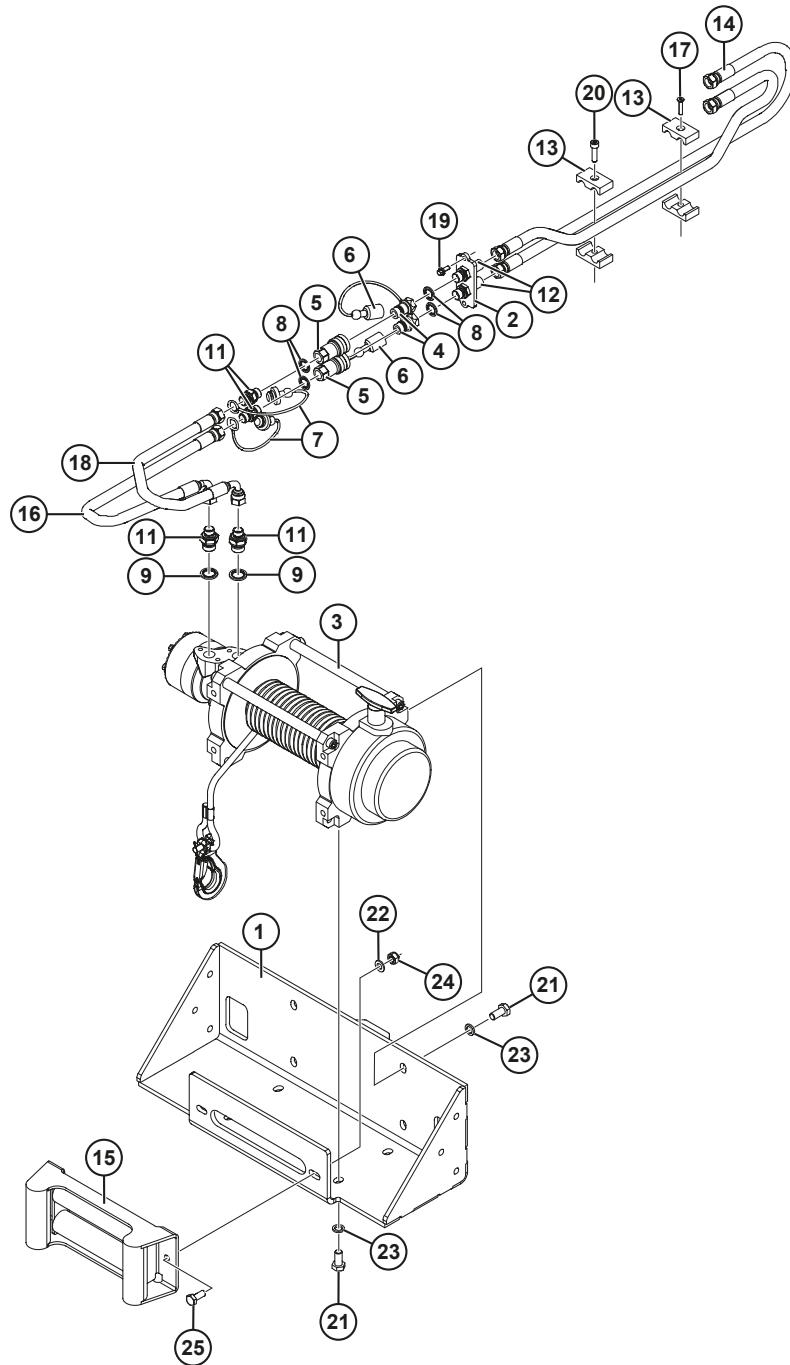


000643

Electric front winch

Pos	Art.	Qty.	Description	Remarks
1	TE-710056	1 pc	Winch bracket	Complete
2	TE-702618	1 pc	Winch bracket	Included in TE-710056
3	TE-702621	2 pcs	Side handle	Included in TE-710056. Right
4	TE-702622	2 pcs	Side handle	Included in TE-710056. Left
5	TE-702623	2 pcs	Handle	Included in TE-710056
6	09-266587	8 pcs	Washer	Included in TE-710056. 8.2x30x1
7	K6085-09	8 pcs	Trailer bolt	Included in TE-710056. MVBF M8x25 FZB
8	K6058-40	4 pcs	Screw	Included in TE-710056. MF6S 10x20 10.9 FZB
9	K6151	8 pcs	Flat washer	Included in TE-710056. BRB M8 FZB
10	K6134	8 pcs	Lock nut	Included in TE-710056. LM6M 8 Nyloc
11	KT-240003	1 pc	Electric winch	Complete. LV-P8000 24V. See sub-supplier documentation for detailed information.
12	KT-TBSK4WD	1 pc	Insulator glove	S 175 red 24V
13	K6077-011	1 pc	Screw	M6SH 10x22 8.8 FZB
14	K6077-02	2 pcs	Screw	M6S 10x30 8.8 FZB
15	K6163-003	4 pcs	Locking washer	Nordlock M10
16	K6152	4 pcs	Flat washer	BRB M10 FZB
17	K6131	2 pcs	Nut	M6M 10 8 FZB
18	KT-703609	6 pcs	Adapter, electric winch	
19		1 pc	Cable guide	Included in Electric Winch KT- 240003

Hydraulic front winch

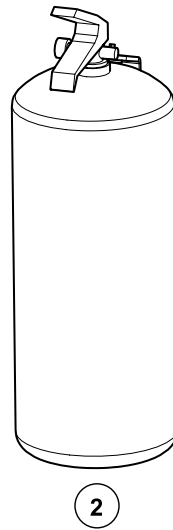
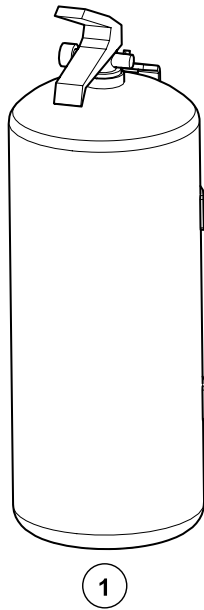


000644

Hydraulic front winch

Pos	Art.	Qty.	Description	Remarks
1	TE-701808	1 pc	Winch bracket	
2	TE-703595	1 pc	Mounting plate, hose connector	
3	KT-240021	1 pc	Hydraulic winch	Complete. HV10000 24 V See sub-supplier documentation for detailed information.
4	KT-55500206	2 pcs	Quick-release coupling	3/8" male
5	KT-55500306	2 pcs	Quick-release coupling	3/8" Female
6	KT-55510406	2 pcs	Dust guard	3/8" Male
7	KT-55500506	2 pcs	Dust guard	3/8" Female
8	KT-56010106	4 pcs	Rubber steel washer	3/8"
9	KT-56010108	2 pcs	Rubber steel washer	1/2"
10	KT-70020606	2 pcs	Adapter	3/8"UF-3/8"UF
11	KT-70020608	2 pcs	Adapter	3/8"UF-1/2"UF
12	KT-70900606	2 pcs	Bulkhead connector	3/8"UF-3/8"UF
13	KT-53904216	4 pcs	Double clamp	
14	TS-121380	2 pcs	Hydraulic hose	3/8" L=3800 mm Straight-Straight
15		1 pc	Cable guide	Incl. in hydraulic winch KT-240021
16	TS-122035	1 pc	Hydraulic hose	3/8" L=350 mm Straight-90°
17	K6085-0015	1 pc	Screw	MF6S 6x30 10.9 FZB
18	TS-122040	1 pc	Hydraulic hose	3/8" L=400 mm Straight-90°
19	09-267257	2 pcs	Flange screw	M6SF 6x16 8x8 FZB
20	K6065-45	1 pc	Hex screw	MC6S 8x30 8.8 FZB
21	K6077-113	8 pcs	Screw	M6S 12x25 8.8 FZB
22	K6152	2 pcs	Flat washer	BRB M10 FZB
23	K6163-000	8 pcs	Locking washer	Nordlock M12
24	K6135	2 pcs	Lock nut	LM6M 10 8 FZB
25	09-267743	2 pcs	Screw	M6SH 10x25 8.8 FZB

Fire extinguisher

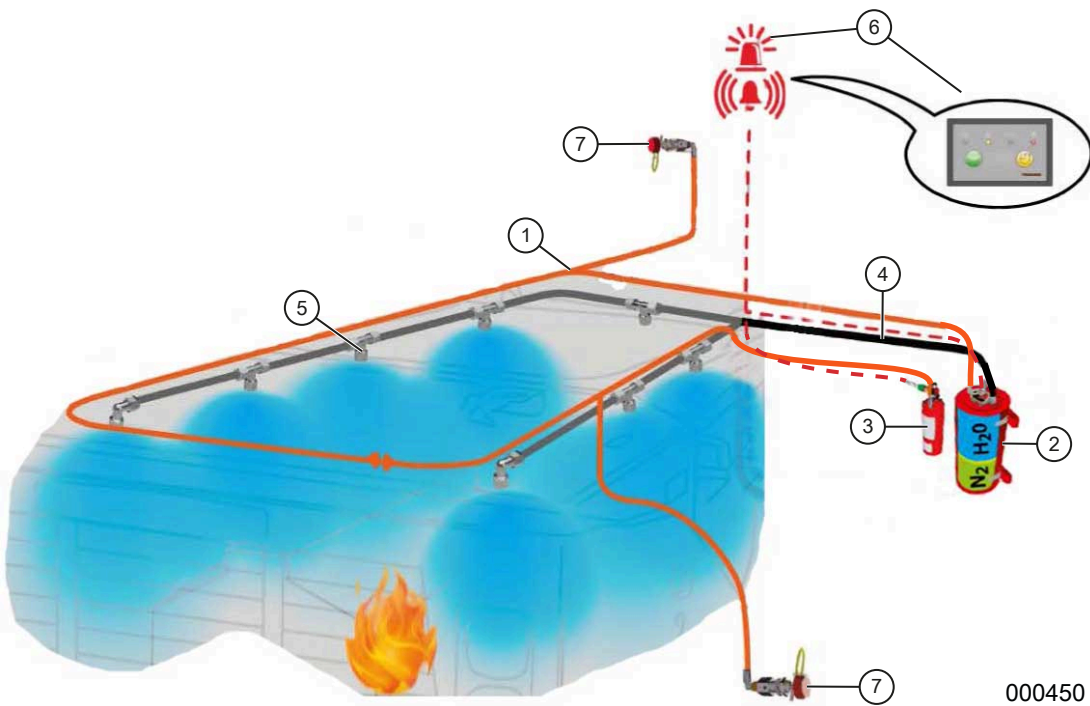


000112

Fire extinguisher

Pos	Art.	Qty.	Description	Remarks
1	KT-791177		Fire extinguisher	Foam, 9 kg
	KT-791178		Vehicle bracket	Fire extinguisher 9 kg
2	KT-790050-2		Fire extinguisher	Powder, 6 kg
	KT-790050-1		Vehicle bracket	Fire extinguisher 6 kg

Fire extinguishing system

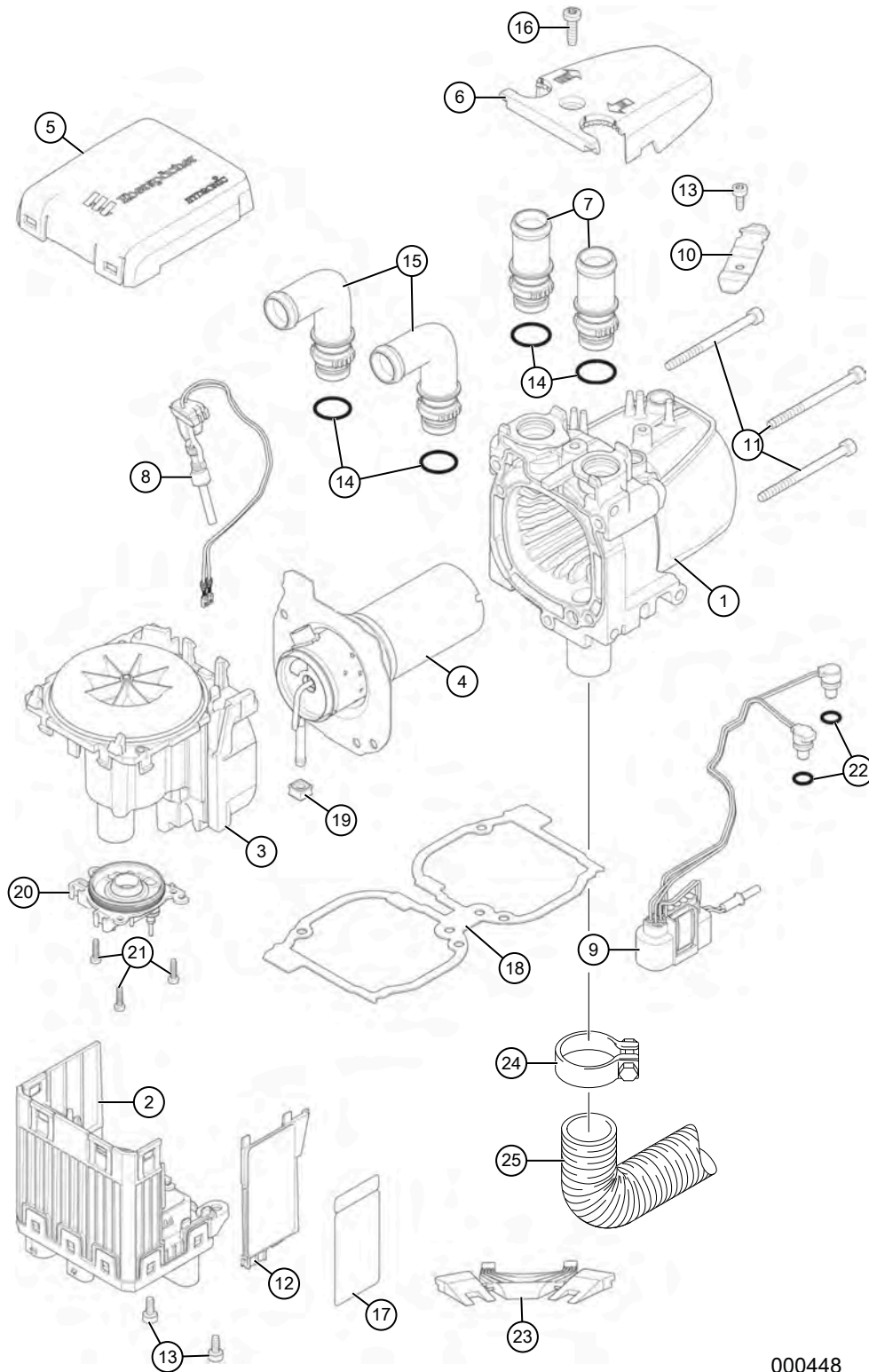


000450

Fire extinguishing system

Pos	Art.	Qty.	Description	Remarks
			Fire suppression system Fogmaker	If you have problems or need spare parts, contact a Fogmaker authorised service dealer.
1		LM	Fogmaker hydropneum. detection hose	
2		1 pc	Extinguishing agent tank	
3		1 pc	Activator cartridge	
4			Extinguishing agent hoses	
5			Nozzles	
			Cutting rings	
			Nuts	
6		1 pc	Central unit	
7		2 pcs	Manual actuation valve	

Engine heater Eberspächer Hydronic S3 24V

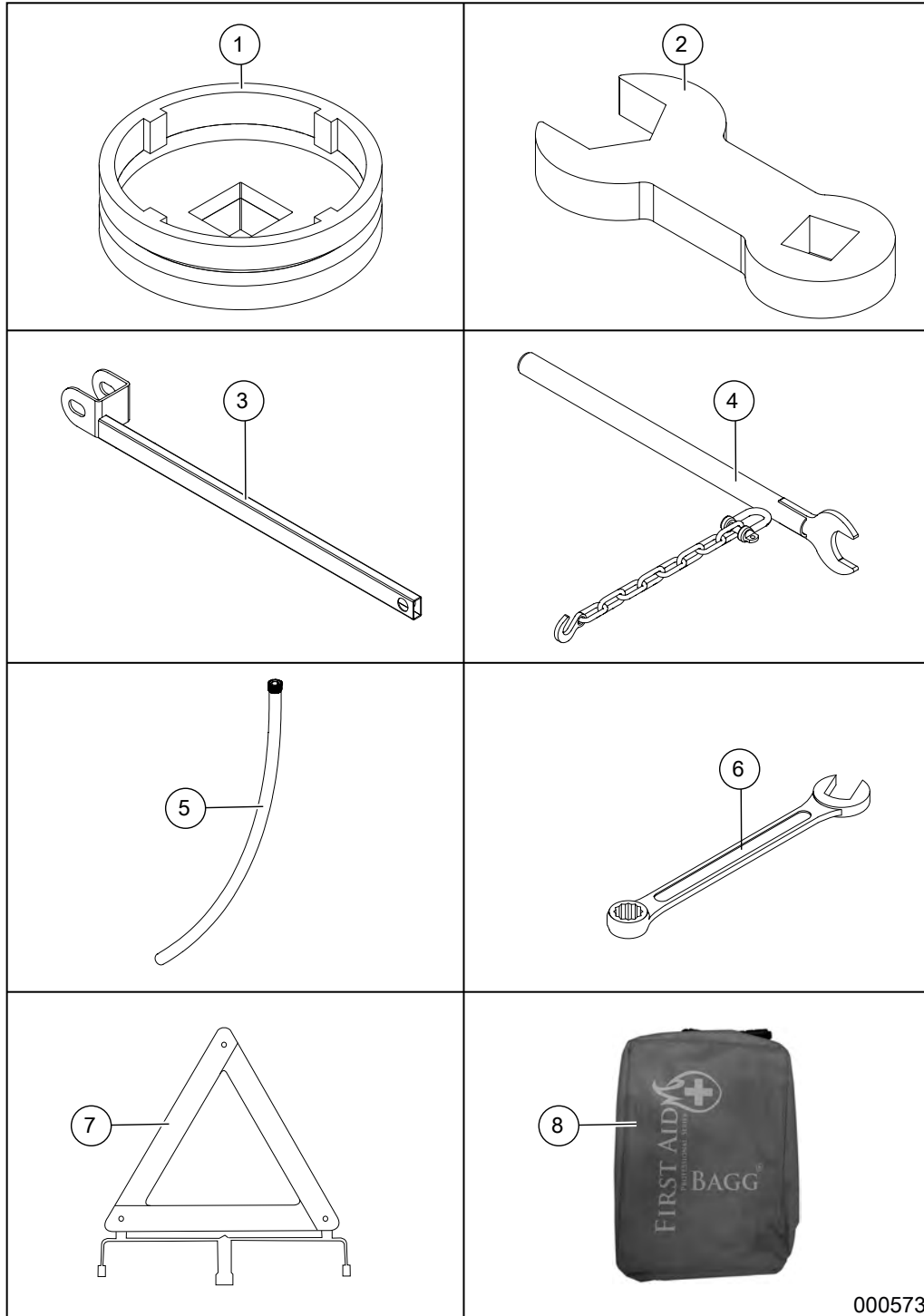


000448

Engine heater Eberspächer Hydronic S3 24V

Pos	Art.	Qty.	Description	Remarks
				The following parts are not stocked by Terri, but can be ordered separately if necessary.
	KT-240004		Engine Heater Diesel Kit 24V	For fuel pump, see Engine and Fuel System chapter
1		1 pc	Cover with heat exchanger	
2		1 pc	Control unit	Kit. Incl. item 2, 13, 17, 20 and 21
3		1 pc	Fan	
4		1 pc	Combustion chamber	Kit. Incl. 4, 18 and 19
5		1 pc	Fan cover	
6		1 pc	Cover, sensor	Kit. Incl. 6 and 16
7		1 pc	Water nozzles, straight	Kit. Incl. 7 and 14
8		1 pc	Glow plug	Kit. Incl. 8, 13, 20 and 21
9		1 pc	Cable harness for heater	Kit. Incl. 9, 13, 20 and 21
10		1 pc	Compression spring	Kit. Incl. 10 and 13
11		1 pc	Screw	Kit. M5 × 65 self-tapping, DIN 7500-EE
12		1 pc	Cover electric motor	
13		2 pcs	Screw	M4 × 10 self-tapping, DIN 7500-EE
14		2 pcs	O-ring	Ø 16x2
15		1 pc	Water nozzles, angled	Kit. Incl. 14 and 15
16		1 pc	Screw	M5 × 18 self-tapping, DIN 7500-CE
17		1 pc	Factory plate replacement	
18		1 pc	Gasket set	Incl. 18 and 19
19		1 pc	Bushing for fuel pipe	
20		1 pc	Cover, electric motor	
21		3 pcs	Screw	M3 × 12 self-tapping, DIN 7500
22		2 pcs	O-ring	Ø 7.5x2
23		1 pc	Control unit removal kit	
24		1 pc	Clamp	
25		1 pc	Exhaust hose	Ø 24 mm, L = 900 mm

Tools and miscellaneous



000573

Tools and miscellaneous

Pos	Art.	Qty.	Description	Remarks
1	TE-701543	1 pc	Wrench for castellated nut	
2	TE-703071	1 pc	Extension for torque wrench	
3	TE-700318	1 pc	Cab bar	
4	TE-702800	1 pc	Tool for tightening of quick-release connectors	
5	KT-59960126	1 pc	Drain hose	
6	KT-790897	1 pc	Combination wrench	24 mm
7	KT-252301	1 pc	Triangular warning sign	
8	KT-791138	1 pc	First aid kit	

Signs and decals



000106

Signs and decals

Pos	Art.	Qty.	Description	Remarks
1			Safety/Warning/Mandatory decal kit	
-	KT-790624		Warning decal	
-	KT-790626		Decal Fire extinguishing	
-	KT-253902		Decal Fire extinguisher	
-	KT-790542		Decal MOWI	
-	KT-790541		Decal, Risk Zone 20 m	
-	KT-790543		Decal, Do not walk under suspended loads	
2			Decal kit int. In cab	
-	KT-790623		Instrument decal	
-				
3	KT-791155		Decals Terri 3FW	
	KT-791155-1		Decals Terri 3CW	
	KT-791155-2		Decals Terri 3HW	
	KT-791155-AWS		Decal AWS, window	
	KT-791155-HUV		Decals HOOD	
	KT-791268		Decals Terri 3FT	
	KT-791268-1		Decals Terri 3CT	
	KT-791268-2		Decals Terri 3HT	
	KT-791137		Decals "loose" platform sides	
	KT-791108		Decals Platform, TERRI and "stamp"	
-	KT-890165		Decal "Terri, For All Terrain"	
-	KT-791056		Decal "Made in Småland"	

Colour

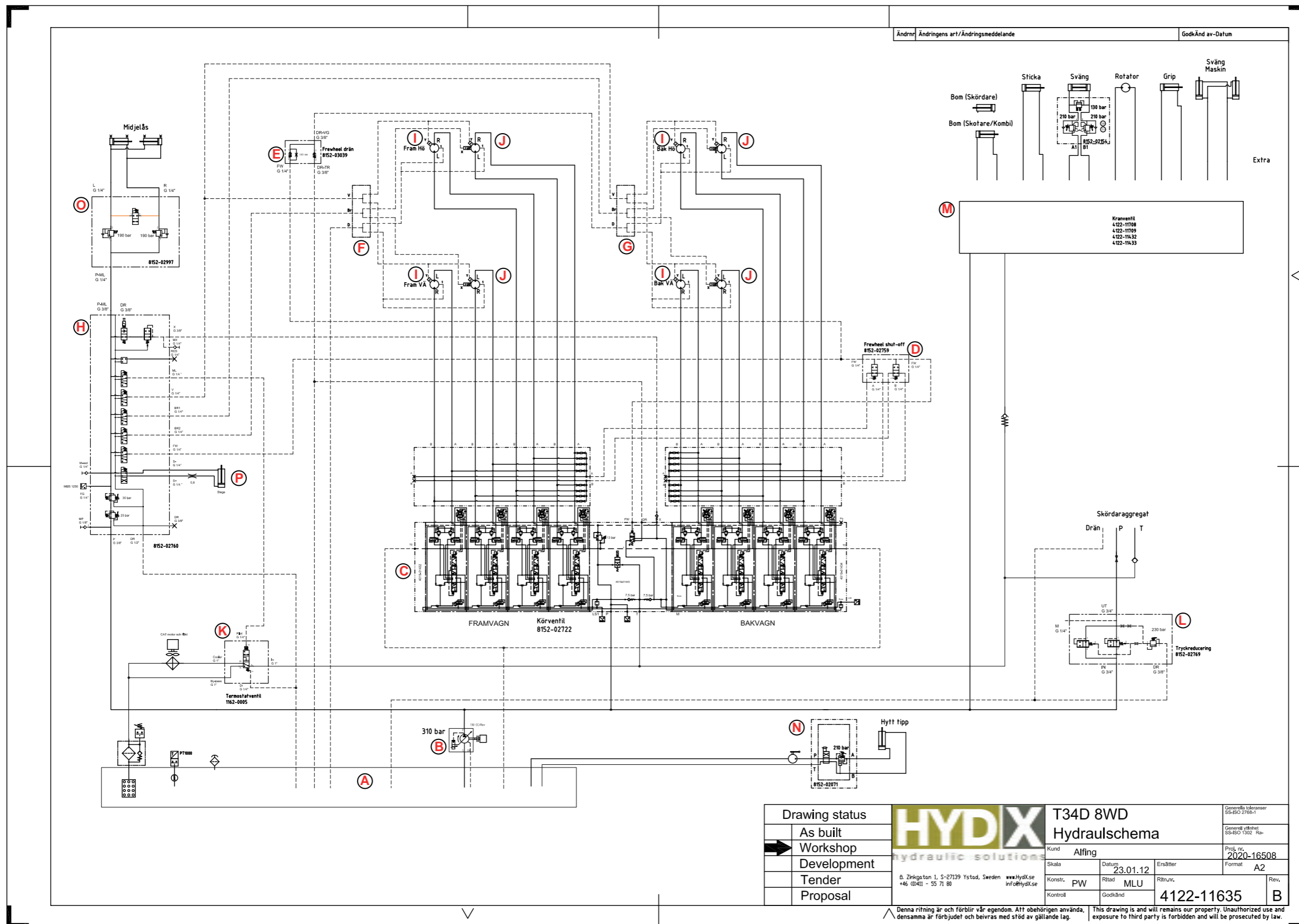


Colour

Pos	Art.	Qty.	Description	Remarks
1			Red RAL 3002	
2			Grey RAL 7040	
3			Black RAL 9005	

12 HYDRAULIC DIAGRAM

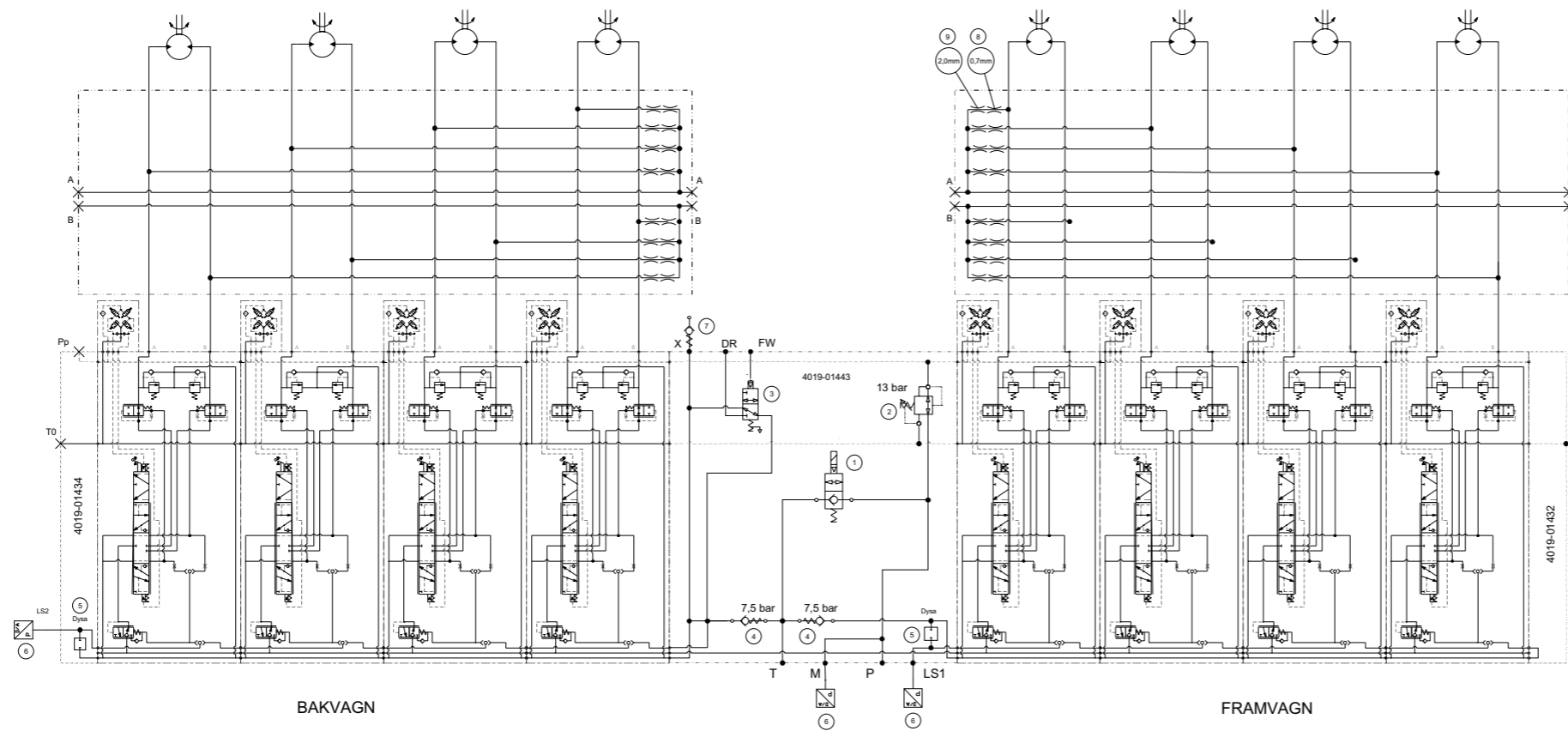
Rev B



Rev B

Pos	Art.	Qty.	Description	Remarks
A	TE-702154	1 pc	Hydraulic tank	Up to machine T23-019.
	TE-702987	1 pc	Hydraulic tank	From machine T23-020.
B	KT-791320	1 pc	Pump drive	130cc 24V. Up to machine T21-006.
	KT-791320	1 pc	Pump drive	115cc 24V. From machine T22-001.
C	KT-791219	1 pc	Drive valve	8WD. Up to machine T23-026. Not T23-016.
	KT-791433	1 pc	Drive valve	8WD CAN controlled. From machine T23-027. Also T23-016.
D	KT-791210	1 pc	Block valve drain	
E	KT-791227	1 pc	Valve block drainage trailer	
F	KT-790600	1 pc	Valve block	Front bogie
G	KT-790600	1 pc	Valve block	Rear bogie
H	KT-791214	1 pc	Pilot block	Complete
I	KT-791225	4 pcs	In-wheel motor without parking brake	1248cc Poclain
J	KT-791226	4 pcs	In-wheel Motor With Parking Brake	1248cc Poclain
K	KT-791338	1 pc	Thermostat block	Ver 2. Up to machine T23-006. Not T21-001, T22-001, T22-006 and T22-007.
	KT-791378	1 pc	Thermostat block	Ver 3. From machine T23-007. Also T21-001, T22-001, T22-006 and T22-007.
L	KT-791202	1 pc	Pressure limiting valve	Applies to Combi and Harvester.
M		1 pc	Crane valve	See <i>Crane valve with connections</i> , page 101.
N	KT-790603	1 pc	Cab block	Up/down
O	KT-791217	1 pc	Articulation lock block	
P	TE-710040	1 pc	Ladder	Up to machine T23-028.
	TM-710157	1 pc	Ladder	From machine T23-029.

Drive valve 8WD



HYDX artikelnummer: 8152-0272
T34D - Körventil 8WD

Pos	Qty	Part No.	Description	Model Code																														
<table border="1"> <tr> <td>Drawing status</td> <td colspan="3">HYDX Hydraulic Circuit Diagram</td> <td>Model Code</td> </tr> <tr> <td>As built</td> <td colspan="3"></td> <td>TERRI T34D</td> </tr> <tr> <td>Workshop</td> <td colspan="3"></td> <td>2020-16508</td> </tr> <tr> <td>Development</td> <td colspan="3"></td> <td>Equipment No.</td> </tr> <tr> <td>Tender</td> <td colspan="3"> O. Zirkigatan 1, S-271 39 Ystad, Sweden +46 (0)411 - 55 71 80 www.HyDX.se info@HyDX.se </td> <td>Customer Alfing/Terri</td> </tr> <tr> <td>Proposal</td> <td colspan="3"> Designed For Mineral Oil Viscosity at 40°C: xxx cSt Normal Temperature Range: LL-HHP Voltage Electric Motors: xxx/yyy VAC zz Hz Control Voltage: xxx DC/AC </td> <td> Date: - State: 2021.06.22 Drawing No: 4122-11633 Rev: - </td> </tr> </table>					Drawing status	HYDX Hydraulic Circuit Diagram			Model Code	As built				TERRI T34D	Workshop				2020-16508	Development				Equipment No.	Tender	O. Zirkigatan 1, S-271 39 Ystad, Sweden +46 (0)411 - 55 71 80 www.HyDX.se info@HyDX.se			Customer Alfing/Terri	Proposal	Designed For Mineral Oil Viscosity at 40°C: xxx cSt Normal Temperature Range: LL-HHP Voltage Electric Motors: xxx/yyy VAC zz Hz Control Voltage: xxx DC/AC			Date: - State: 2021.06.22 Drawing No: 4122-11633 Rev: -
Drawing status	HYDX Hydraulic Circuit Diagram			Model Code																														
As built				TERRI T34D																														
Workshop				2020-16508																														
Development				Equipment No.																														
Tender	O. Zirkigatan 1, S-271 39 Ystad, Sweden +46 (0)411 - 55 71 80 www.HyDX.se info@HyDX.se			Customer Alfing/Terri																														
Proposal	Designed For Mineral Oil Viscosity at 40°C: xxx cSt Normal Temperature Range: LL-HHP Voltage Electric Motors: xxx/yyy VAC zz Hz Control Voltage: xxx DC/AC			Date: - State: 2021.06.22 Drawing No: 4122-11633 Rev: -																														
			Design: PW	Sheet: MLU																														
			Size: A1																															

INDEX

09-265139.....	150	81-0467.....	184
09-265439.....	152	81-0483-FZB.....	156
09-265505.....	96	83-0051-FZB.....	170, 186
09-265543.....	162, 182, 186		
09-265597.....	124		
09-265604.....	12, 14, 42	K-6152.....	20
09-265605.....	12, 14, 76, 78, 164, 166, 168, 182	K-6152-050.....	140
09-265702.....	98, 100, 122, 128, 186	K123190.....	174
09-265714.....	170	K6030-5.....	96
09-265731.....	24, 28, 38, 42	K6058-40.....	162, 186, 234
09-266027.....	166, 168	K6062-02.....	150
09-266028.....	168	K6062-1.....	150, 152
09-266030.....	98, 100	K6062-11.....	168
09-266034.....	24, 28, 168	K6062-3.....	208, 210
09-266035.....	184	K6065.....	152, 164
09-266036.....	32, 88, 132, 138, 168, 182, 186	K6065-25.....	166
09-266037.....	182	K6065-45.....	226, 236
09-266040.....	8, 32	K6065-601.....	152, 168
09-266194.....	52, 96	K6066.....	164
09-266195.....	150, 168	K6066-01.....	76, 78
09-266243.....	170, 182	K6067-18.....	50
09-266587.....	234	K6067-19.....	148
09-266779.....	96	K6067-20.....	48
09-266793.....	12, 14, 24, 28, 38, 62, 64, 76, 78, 168	K6067-24.....	14
09-266960.....	122, 128	K6067-26.....	42, 48
09-266989.....	134	K6068-071.....	152
09-267024.....	150, 182	K6074-09.....	92, 98, 100, 124, 158, 170
09-267027.....	88, 186	K6075.....	128, 138, 186
09-267053.....	186	K6075-01.....	10, 132, 134
09-267054.....	150, 164	K6075-02.....	232
09-267055.....	164	K6076-2.....	128
09-267080.....	134	K6076-330.....	122
09-267087.....	134, 140	K6076-36.....	172
09-267180.....	182, 186, 188	K6076-4.....	116
09-267189.....	158	K6077.....	170, 180
09-267257.....	24, 28, 236	K6077-001.....	12, 14, 32, 96, 132, 138, 170
09-267313.....	158	K6077-01.....	128, 186
09-267314.....	158	K6077-011.....	234
09-267315.....	158	K6077-02.....	8, 128, 138, 178, 234
09-267316.....	158	K6077-08.....	156
09-267326.....	166, 168, 232	K6077-11.....	132
09-267330.....	54	K6077-113.....	236
09-267440.....	38	K6077-114.....	138, 146
09-267446.....	40, 56, 58	K6078-02.....	128, 158, 186
09-267485.....	180	K6078-04.....	230
09-267515.....	132, 134, 138, 140	K6078-28.....	208
09-267589.....	128, 138	K6078-310.....	182
09-267591.....	152	K6080-20.....	38, 42, 46
09-267641.....	146	K6085-0012.....	184, 208
09-267708.....	168	K6085-0015.....	236
09-267710.....	14, 152	K6085-0016.....	42
09-267711.....	60	K6085-021.....	178
09-267713.....	90, 166	K6085-062.....	50, 174
09-267743.....	236	K6085-064.....	84, 86
09-267804.....	150	K6085-09.....	234
09-267808.....	122, 128	K6129.....	96
09-267810.....	122, 128	K6130.....	132, 134
09-268054.....	160	K6131.....	234
6163-003.....	174	K6131-02.....	38, 42, 46
703375.....	156	K6133.....	158, 170, 184, 188, 208, 210, 232
81-0239.....	160	K6133-1.....	150
81-0249-FZB.....	150	K6133-2.....	232
		K6134.....	98, 100, 150, 182, 186, 234

K6135	128, 138, 158, 170, 186, 236	KT-240011	224
K6135-1	128, 134, 138, 140, 158	KT-240021	236
K6135-12	98, 100, 152	KT-240025	216, 220
K6150	170, 188	KT-240026	220
K6151	124, 132, 134, 152, 164, 166, 182, 186, 234	KT-240027	216
K6152	8, 42, 128, 138, 158, 234, 236	KT-240028	220
K6152-050	128, 132, 134	KT-240029	220
K6152-07	152	KT-240030	224
K6155	232	KT-240031	220
K6162-01	148	KT-240032	104, 106, 108, 110, 112, 114
K6162-02	148	KT-240033	104, 108, 112, 114
K6163-00	132, 138	KT-240035	22
K6163-000	8, 38, 42, 46, 122, 128, 132, 138, 148, 160, 236	KT-240036	24, 28
K6163-002	132, 138, 146, 178, 180	KT-240036-1	24, 28
K6163-0020	122, 128	KT-240037	192
K6163-003	14, 20, 48, 128, 170, 178, 180, 226, 230, 234	KT-240038	190, 192
K6163-004	98, 100, 122, 128, 138, 158, 164, 170, 184, 226, 232	KT-240039	190
K6206-06	150	KT-240040	190
K6206-06	232	KT-240043	190
K6626-61	158	KT-240046	48
K6626-72	226	KT-240210	24, 28
K6626-73	226	KT-240502	12, 14, 24, 28, 230, 232
K6626-80	230	KT-2410010103	160
K6626-82	230	KT-2420002203	160
K6627-03	170	KT-2420200620	160
KT-003602	184	KT-2435200201	160
KT-0146.125	150	KT-252301	244
KT-0539	32	KT-253902	246
KT-0541	182	KT-256201	216, 220
KT-0547C	182	KT-256301	216, 220
KT-082002	166, 168	KT-256401	216, 220
KT-1012751	216, 220	KT-256701	220
KT-123110	134	KT-265219	170
KT-123120	152, 226	KT-266573	232
KT-14350032	24, 28	KT-267126	38
KT-14450765	124	KT-267140	38, 42, 46
KT-15519378	124	KT-267172	20
KT-162820	182	KT-267355	170, 230
KT-175550	216, 220	KT-267802	10
KT-175552	216, 220	KT-267859	132, 138
KT-176425	14	KT-267861	132, 138
KT-185015	10	KT-2719192	190
KT-185102	24, 28, 230	KT-30012572	216, 220
KT-185104	12, 14, 22, 30, 232	KT-38890	184
KT-185105	22	KT-420106061	230
KT-185111	12, 14	KT-42020405	14
KT-185112	24, 28	KT-42030812	22
KT-185114	32	KT-4600-100	98, 100, 132, 140, 160, 170
KT-185115	32	KT-4690135	202, 206
KT-185406	12, 14	KT-5001488	190
KT-186204	188	KT-5001508	186, 190
KT-186307	188	KT-50541	160
KT-230740	170	KT-50542	160
KT-2326	186	KT-50543	172
KT-240000	188, 224	KT-50740606	24, 28
KT-240001	186, 224	KT-50740812	12, 14
KT-240003	234	KT-50991141	12, 14
KT-240004	242	KT-5201297005	222
KT-240008	202, 206	KT-5201297075	222
KT-240009	202, 206	KT-5201299030	222
KT-240010	224	KT-5201299040	222
		KT-5201498030	216
		KT-5201498040	216, 220
		KT-5201498060	216, 220
		KT-52933	182

KT-52971	182	KT-6626-82	232
KT-52996	182	KT-68140015	186
KT-53900423	134	KT-7002006	22
KT-53900528	46, 84	KT-70020204	48
KT-53904216	236	KT-70020404	46, 48, 52, 54, 56, 58, 60, 62, 64, 76, 84, 90, 96, 230
KT-53904426	86	KT-70020406	62, 64, 88, 92, 230
KT-53917401	134	KT-70020606	48, 56, 58, 60, 62, 64, 88, 94, 106, 110, 114, 116, 118, 120, 230, 236
KT-55400040	38, 42, 46	KT-70020608	54, 56, 58, 60, 64, 106, 114, 116, 118, 120, 236
KT-55410016	48	KT-70020612	38, 42
KT-55500204	122	KT-70020808	48, 106, 110, 114, 118, 120
KT-55500206	40, 44, 236	KT-70020812	46
KT-55500304	122	KT-70021212	46, 48, 84, 86, 88, 106, 110, 114
KT-55500306	236	KT-70021216	48, 86
KT-55500506	236	KT-70021616	76, 78, 82
KT-55510406	40, 44, 236	KT-70021620	38, 42, 80, 82
KT-55520208	122	KT-7003416	190
KT-55520308	122	KT-7003417	190
KT-55520708V	122	KT-7003426	190
KT-55520716V	122	KT-7003427	190
KT-55522216	122	KT-700661	166, 168
KT-55522316	122	KT-70080408	44
KT-55603170	24, 28, 230	KT-70080608	44
KT-55603185	24, 28	KT-70081212	84, 86, 88
KT-56010102	48	KT-70081216	48, 86
KT-56010104	14, 24, 28, 46, 48, 52, 54, 56, 58, 60, 62, 64, 76, 78, 88, 90, 96, 98, 100, 230	KT-70081616	48, 86
KT-56010106	40, 44, 48, 54, 56, 58, 60, 62, 64, 88, 92, 94, 96, 106, 110, 114, 116, 118, 120, 230, 236	KT-701010	160
KT-56010108	12, 14, 22, 42, 48, 106, 110, 114, 116, 236	KT-70110202	44
KT-56010112	38, 42, 46, 48, 84, 86, 88, 106, 110, 114	KT-70110404	24, 28
KT-56010116	48, 76, 78, 86	KT-70150407	66
KT-56010120	38, 42, 80, 82	KT-70150409	68, 70, 72, 74
KT-56010206	24, 28	KT-70150612	66, 68, 70, 72, 74
KT-56010208	38	KT-70150817	66, 68, 70, 72, 74
KT-56010222	38	KT-701858	152
KT-56100216	48	KT-702280	24, 28
KT-56100220	46	KT-702281	38
KT-56100240	40, 44, 46	KT-702282	38
KT-580908	182	KT-702283	24, 28
KT-58132346	216	KT-702954	158
KT-58301608	24, 28	KT-703134	46
KT-58600812	22	KT-703138	24, 28, 230
KT-59020007	122	KT-703180	222
KT-59020009	160	KT-703182-H	214
KT-59950112	34	KT-703182-V	212
KT-59960126	34, 244	KT-703306	190
KT-6067-262	10, 20	KT-703374	156
KT-6067-270	8, 160	KT-703457	42
KT-6067-280	132, 138	KT-703458	42
KT-6067-281	178, 180	KT-703459	42
KT-6067-284	98, 100	KT-703485	100
KT-6067-290	148	KT-703486	100
KT-6070-03	158	KT-703487	100
KT-60990044	38	KT-703574	22
KT-60990073	38	KT-703575	22
KT-61500015	38	KT-703576	22
KT-61710602	160	KT-703577	22
KT-61720606	160	KT-703578	22
KT-63155	182	KT-703579	22
KT-63186	182	KT-703580	22
KT-63189	182	KT-703582	22
KT-65669020	188	KT-703609	234
		KT-703692	160
		KT-703693	160

KT-70900008.....	42	KT-765047	34
KT-70900016.....	164	KT-765049	34
KT-70900404... 64, 84, 86, 122, 124, 134, 140, 230		KT-785000	124
KT-70900606.....	40, 122, 124, 236	KT-785000-2.....	124, 128, 226
KT-70900808.....	42, 84, 86, 122, 124, 134, 140	KT-785011.....	160
KT-70901010.....	86, 122, 134, 140	KT-785036.....	96, 156
KT-70901212.....	84, 86, 88, 122, 134, 140	KT-785179.....	202, 206
KT-72031616.....	48, 86	KT-790011.....	106, 110, 114
KT-72040202.....	44	KT-790037	190
KT-72040404.....	64, 78, 98, 100	KT-790038	190
KT-72040606.....	96	KT-790039	190
KT-72050404.....	40, 90, 96	KT-790042	190
KT-72050606.....	62	KT-790046	192
KT-72050808.....	44	KT-790050	186
KT-72051616.....	40	KT-790050-1.....	186, 238
KT-73030404.....	62	KT-790050-2.....	238
KT-73050808.....	226	KT-790069	190
KT-73051212.....	226	KT-7905011.....	174
KT-73051616.....	44, 78, 82	KT-790515	148
KT-74010808.....	118, 120	KT-790515-1.....	148
KT-74011616.....	84	KT-790516	148
KT-74030404.....	62, 64, 68, 70	KT-790531	146
KT-74030606.....	64	KT-790539	142
KT-740404041	44, 52, 92	KT-790540	142
KT-74040606.....	40, 88, 94, 116, 230	KT-790541	246
KT-74040808.....	44, 118, 120	KT-790542	246
KT-74041616.....	48, 76, 78, 82, 84, 86	KT-790543	246
KT-74131616.....	48, 86	KT-790553	38, 42
KT-75030004.....	48, 62, 64	KT-790559	88
KT-75030006.....	64	KT-790566-2.....	62, 64
KT-75035009.....	66	KT-790595	202, 206
KT-765001	12	KT-790600	56, 58, 60, 250
KT-765001-1.....	12	KT-790601	96
KT-765001-2.....	12, 16, 80, 82	KT-790602	96
KT-765001-3.....	12, 16	KT-790603	96, 250
KT-765001-4.....	12, 16	KT-790605	116
KT-765001-5.....	12, 16	KT-790616	106
KT-765001-6.....	12, 16	KT-790623	246
KT-765001-7.....	12, 16	KT-790624	246
KT-765001-8.....	12, 14	KT-790626	246
KT-765003	12, 14	KT-790635	230
KT-765004	12, 14	KT-790636	142
KT-765005	12, 14	KT-790646	230
KT-765006	12, 14	KT-790653	48
KT-765007	12, 14	KT-790666	116
KT-765008	32	KT-790680	22
KT-765009	32	KT-790685-1.....	142
KT-765010	32	KT-790685-3.....	142
KT-765011.....	12, 14	KT-790690	182
KT-765018	20	KT-790691	184
KT-765020	190	KT-790691-1.....	184
KT-765034	32	KT-790692	86, 182
KT-765034-1.....	32	KT-790694	188
KT-765035	34	KT-790695	186
KT-765036	34	KT-790698	188
KT-765036-1.....	34	KT-790700	182
KT-765037	24, 28	KT-790708	200, 204
KT-765038	24, 28	KT-790710	182
KT-765039	34	KT-790712	190
KT-765039-1.....	34	KT-790725	104, 108, 112
KT-765042-5.....	22	KT-790754	104, 108
KT-765043	10	KT-790769	192
KT-765044	12, 14	KT-790775	190
KT-765045	18	KT-790779	190
KT-765046	32	KT-790780	190, 192

KT-790785	200, 204	KT-790989	160
KT-790818	106, 110, 114	KT-790989-1.....	160
KT-790832	192	KT-790989-2.....	160
KT-790837-1.....	148	KT-790989-3.....	160
KT-790837-2.....	148	KT-790989-4.....	160
KT-790851	92	KT-790989-5.....	160
KT-790851-1.....	92	KT-790990	160
KT-790856	12, 14	KT-790990-1.....	160
KT-790862	200	KT-790990-2.....	160
KT-790863	200, 204	KT-790990-3.....	160
KT-790863-1.....	200, 204	KT-790995	142
KT-790879	202, 206	KT-790995-1.....	142
KT-790881	194	KT-790995-4.....	142
KT-790881-1.....	194	KT-791013	124
KT-790881-10.....	194	KT-791014	124
KT-790881-2.....	194	KT-791018	98, 100
KT-790881-20.....	194	KT-791019	98, 100
KT-790881-3.....	194	KT-791019-1.....	98, 100
KT-790881-30.....	194	KT-791025	98, 100
KT-790881-4.....	194	KT-791043	200
KT-790881-40.....	194	KT-791045	132, 138, 224
KT-790881-5.....	194	KT-791045-1.....	224
KT-790881-50.....	194	KT-791046	174, 178, 180
KT-790881-6.....	194	KT-791052	146
KT-790881-60.....	194	KT-791056	246
KT-790887	104, 106, 108, 110, 112, 114	KT-791060	204
KT-790897	244	KT-791062	202, 206, 208, 210
KT-790909	116	KT-791075	94
KT-790913	48, 84, 86	KT-791075-1.....	94
KT-790916	174	KT-791076	116, 172
KT-790917	66, 174	KT-791097	200
KT-790919	38, 42	KT-791098	186
KT-790944	212	KT-791100	116
KT-790944-1.....	212	KT-791101	116
KT-790945	214	KT-791102	104, 106, 110, 112, 114, 116
KT-790945-1.....	214	KT-791103	152
KT-790948	202	KT-791105	24, 28
KT-790949	124	KT-791108	246
KT-790955	214	KT-791110	118, 120
KT-790959	108, 114	KT-791111	118, 120
KT-790960	104, 108, 112, 114	KT-791116	202, 206
KT-790961	124	KT-791116-1.....	202, 206
KT-790962	48	KT-791116-2.....	128, 134, 138, 202, 206
KT-790967	174, 178, 180	KT-791116-3.....	202, 206
KT-790976	38, 42	KT-791116-4.....	202, 206
KT-790977	110	KT-791116-5.....	202, 206
KT-790979	228	KT-791116-6.....	202, 206
KT-790979-1.....	228	KT-791118	152, 224
KT-790979-10.....	228	KT-791118-1.....	153
KT-790979-2.....	228	KT-791119	24, 28
KT-790979-20.....	228	KT-791131	174, 178, 180
KT-790979-3.....	228	KT-791137	246
KT-790979-30.....	228	KT-791138	244
KT-790979-5.....	228	KT-791143	38, 42
KT-790979-6.....	228	KT-791143-1.....	38, 42
KT-790988	174, 178, 180	KT-791143-2.....	38, 42
KT-790988-1.....	174, 178, 180	KT-791143-20.....	38, 42
KT-790988-2.....	174, 178, 180	KT-791146	122, 128, 132, 138
KT-790988-3.....	174, 178, 180	KT-791155	246
KT-790988-4.....	174, 178, 180	KT-791155-1.....	246
KT-790988-5.....	174, 178, 180	KT-791155-2.....	246
KT-790988-6.....	174, 178, 180	KT-791155-AWS	246
KT-790988-7.....	174, 178, 180	KT-791155-HUV	246
KT-790988-8.....	174, 178, 180	KT-791159	148
KT-790988-9.....	174, 178, 180	KT-791166	174, 178, 180

KT-791177	152, 238	KT-791337	142
KT-791178	238	KT-791337-1	142
KT-791180	174	KT-791337-10	142
KT-791184	124	KT-791337-4	142, 144
KT-791185	38, 42, 46	KT-791337-5	142, 144
KT-791186H	178, 180	KT-791337-6	142, 144
KT-791186V	178, 180	KT-791337-7	142, 144
KT-791194	200, 204	KT-791337-8	142, 144
KT-791197	118, 120	KT-791337-9	144
KT-791198	118, 120	KT-791338	76, 250
KT-791202	88, 250	KT-791342	142
KT-791202-1	88	KT-791362	202, 206
KT-791202-2	88	KT-791363	202, 206
KT-791202-3	88	KT-791367	164
KT-791202-4	88	KT-791376	174
KT-791203	206	KT-791378	78, 250
KT-791203-1	202, 206	KT-791379	158
KT-791203-2	202, 206	KT-791380	158
KT-791204	216, 220	KT-791381	158
KT-791205	96	KT-791385	190
KT-791210	52, 250	KT-791386	192
KT-791213	104, 106, 108, 110, 112, 114	KT-791419	142
KT-791214	62, 64, 250	KT-791421	142
KT-791214-2	62, 64	KT-791422	142
KT-791214-3	62, 64	KT-791422-1	142
KT-791217	90, 250	KT-791422-2	142
KT-791217-1	90	KT-791422-3	142
KT-791219	48, 250	KT-791423	104, 108, 112
KT-791222	104, 106, 108, 112	KT-791424	104, 108, 112, 114
KT-791223	104, 106, 108, 110, 112, 114	KT-791425	104, 108, 112
KT-791224	106	KT-791428	106, 110, 114
KT-791225	68, 70, 178, 180, 250	KT-791432	146
KT-791226	72, 74, 178, 180, 250	KT-791433	48, 250
KT-791227	54, 250	KT-791434	128
KT-791233	190	KT-791435	142
KT-791234	216	KT-791438	206
KT-791237	224	KT-791439	204
KT-791238	180	KT-791443	204
KT-791240	148	KT-791445	228
KT-791241	22	KT-791447	228
KT-791244	12, 14	KT-791448	204
KT-791245	12, 14	KT-791453	48
KT-791247	108, 114	KT-791462	94
KT-791264	200	KT-791465	168
KT-791268	246	KT-791474	228
KT-791268-1	246	KT-791475	228
KT-791268-2	246	KT-791491	190
KT-791272	200, 204	KT-791493	142
KT-791281	104, 106, 112	KT-791497	228
KT-791284	150, 232	KT-791499	228
KT-791303	104, 106, 110, 112, 114	KT-791521	222
KT-791304	104, 108, 112	KT-791522	222
KT-791305	38, 42	KT-791533	24
KT-791308	102, 104	KT-791534	28
KT-791310	200, 204	KT-791536	28
KT-791313	202, 206	KT-791537	30
KT-791315	102, 108	KT-791551	140
KT-791316	102, 112	KT-791606	48
KT-791317	104, 108, 112	KT-791625	48
KT-791318	104, 106, 108, 110, 112, 114	KT-791637	232
KT-791319	106, 108, 114	KT-791638	232
KT-791320	46, 250	KT-791678	94
KT-791320-1	46	KT-795002	8
KT-791326	178, 180	KT-795003	8
KT-791335	190	KT-795023	32

KT-795024	32	T50128	200, 204
KT-795027	20	T50153	200, 204
KT-795028	20	T50156	216, 220
KT-8000	20	T50165	216, 220
KT-8001	20	T50237	206
KT-8002163	190	T50330	200, 204
KT-8002520	190	T50366	200
KT-8003335	190	T50409	216, 220
KT-8003336	190	T50462	188
KT-8003337	190	T50535	224
KT-8003348	190	T50545	200, 204
KT-80311212	84, 86, 88	T50549	202, 206, 208
KT-83010004	88	T50550	200, 204
KT-890038	184	T50557	200
KT-890039	184	T51078	200, 204
KT-890040	184	T51079	200, 204
KT-890049	200	T53002	186
KT-890049-1	204	T53003	186
KT-890056	150	T53009	186
KT-890118	38, 42	T53030	182
KT-890135	200	T53033	150
KT-890165	246	T6493506	150, 182
KT-K250500	232	TE-38329	182
KT-K252000	170, 230	TE-38330	182
KT-MB21755	142	TE-38331	182
KT-S3250	214	TE-38339	182
KT-S3309	212, 214	TE-38346	186
KT-S3313	212, 214	TE-38891H	184
KT-S5692-1	212	TE-38891V	184
KT-S5692-2	212	TE-67545	182
KT-S5692-4	212	TE-67548	184
KT-S5692-5	212	TE-67549	184
KT-S5693-1	214	TE-700091	160
KT-S5693-2	214	TE-700138	174
KT-S5693-3	214	TE-700147-1	24, 28
KT-S5693-4	214	TE-700183	24, 28
KT-S5693-5	214	TE-700243	92
KT-S6883	212, 214	TE-700303	96
KT-S6884	212, 214	TE-700307	96
KT-S6885	212, 214	TE-700309	122, 128
KT-S6960	212	TE-700318	244
KT-S8495	212, 214	TE-700347	150
KT-TBSK4WD	234	TE-700348	150
KT100079	148	TE-700409	152
KT100124	174	TE-700466	186
KT100154	170	TE-700729	230
KT100155	170	TE-700730	22
KT55603157	14	TE-700749	170
		TE-700750	170
		TE-700802	172
T3999042	150, 182	TE-700947	230
T4099298	96	TE-700984	192
T4299181	200, 204	TE-701000	160
T4299185	200	TE-701070	172
T4299185-1	204	TE-701071	172
T4299186	204	TE-701092	162
T4299189	200, 204	TE-701093	162
T4299190	200, 204	TE-701094	162
T4299191	200, 204	TE-701095	162
T4299195	200	TE-701096	162
T50032	200, 204	TE-701097	162
T50033	200, 204	TE-701100	186
T50041	216, 220, 222	TE-701162	10
T50125	200	TE-701235	88, 152, 186, 224
T50127	200, 204	TE-701279	226

TE-701352	174	TE-702168	24
TE-701353H	174	TE-702176	24, 28
TE-701353V	174	TE-702187	32
TE-701391	152, 232	TE-702190	32
TE-701427	172	TE-702223	24
TE-701432	170	TE-702224	32
TE-701433	170	TE-702227	32
TE-701434	170	TE-702232	122
TE-701438	172	TE-702254	170
TE-701441	166	TE-702261	122
TE-701509	98, 100	TE-702284	152
TE-701523	98	TE-702285	152
TE-701528	98, 100	TE-702295	178
TE-701529	98	TE-702296	178
TE-701536	186	TE-702310	178
TE-701539	186	TE-702376	166
TE-701543	244	TE-702425	134
TE-701551	170	TE-702430	122, 134
TE-701554	98, 100	TE-702438	128, 134, 138
TE-701564	98, 100	TE-702494	134
TE-701565	98, 100	TE-702513	152
TE-701570	134	TE-702517	186, 224
TE-701630	162	TE-702520	186, 224
TE-701678	98, 100	TE-702528	14
TE-701681	98, 100	TE-702544	150
TE-701684	98, 100	TE-702546	150
TE-701685	98, 100	TE-702556	124
TE-701722	172	TE-702557	124
TE-701725	170	TE-702559	122
TE-701735	174, 178, 180	TE-702572	186
TE-701738	174	TE-702584	150
TE-701739	174	TE-702588	124
TE-701740	132, 138	TE-702600	152
TE-701749	134	TE-702601	150
TE-701760	182	TE-702601-1	24, 150
TE-701761	182	TE-702614	150
TE-701767	132, 138	TE-702618	234
TE-701808	236	TE-702621	234
TE-701813	152	TE-702622	234
TE-701820	152	TE-702623	234
TE-701847	162	TE-702634	186
TE-701849	152	TE-702639	150
TE-701862	152	TE-702647	150
TE-701881	152	TE-702648	150
TE-701884	152	TE-702651	150, 232
TE-701949	142	TE-702653	150
TE-701950	142	TE-702685	132
TE-701951	174, 178, 180	TE-702693	134
TE-701977	152	TE-702696	124
TE-701982	152	TE-702701	132
TE-701985	152	TE-702702	132
TE-702018	132	TE-702706	40, 44
TE-702041	138	TE-702737	46, 56, 58
TE-702047	152	TE-702738	98, 100
TE-702094	8	TE-702739	38
TE-702103	8	TE-702747	88
TE-702106	8	TE-702767	132
TE-702108	8	TE-702768	132
TE-702131	14	TE-702772	132
TE-702135	12, 14	TE-702774	132, 142
TE-702136	12	TE-702775	122, 128
TE-702137	170	TE-702778	122, 128, 132, 138
TE-702143	12, 14	TE-702793	132
TE-702153	84, 86	TE-702797	208, 210
TE-702154	38, 250	TE-702798	208, 210

TE-702800	124, 128, 244	TE-703517	148
TE-702806	184	TE-703518	148
TE-702811	132, 138	TE-703541	204
TE-702819	38	TE-703595	236
TE-702824	122	TE-703623	24, 28
TE-702837	170	TE-703632	170
TE-702846	180	TE-703661	28
TE-702847	180	TE-703662	28
TE-702852	170	TE-703709	214
TE-702858	134, 138	TE-703710	212
TE-702860	134	TE-703754	164
TE-702862	134, 138	TE-703792	232
TE-702865	134	TE-703799	232
TE-702866	208, 210	TE-703800	232
TE-702873	122	TE-703802	232
TE-702874	122	TE-704012	170
TE-702902	184	TE-710019	150
TE-702907	76	TE-710023	160
TE-702921	22	TE-710040	98, 250
TE-702932	158	TE-710056	234
TE-702936	158	TE-710065	174
TE-702944	158	TE-710066	174
TE-702946	158	TE-710149	168
TE-702949	164	TE-710187	166
TE-702950	164	TE-710205	160
TE-702951	164	TE-710223	232
TE-702968	230	TE-791087	212, 214
TE-702969	170	TE-791159	148
TE-702987	42, 250	TM-702945	158
TE-703011	42	TM-710157	100, 250
TE-703052	226	TS-111055-2	64, 78
TE-703054	226	TS-111170	60, 70
TE-703056	226	TS-111195	126
TE-703057	226	TS-111212	58, 70
TE-703066	208	TS-111220	64, 86
TE-703070	164	TS-111270	60
TE-703071	164, 244	TS-111460	136
TE-703114	180	TS-111500	136
TE-703115	180	TS-112030	44, 50, 92
TE-703133	158	TS-112055	56, 58, 62, 64, 76
TE-703145	50	TS-112060	50, 52
TE-703150	40	TS-112075	74
TE-703160	50	TS-112085	62, 64, 76, 78
TE-703195	42	TS-112090	60, 90
TE-703196	42	TS-112095	60, 84, 86, 96, 230
TE-703210	78	TS-112100	44, 50, 52, 64, 70, 74
TE-703212	140	TS-112110	70, 74
TE-703218	128	TS-112120	58, 74
TE-703226	128	TS-112125-2	58, 64
TE-703275	14	TS-112130	58, 62, 68, 72, 74
TE-703368	156	TS-112145	68, 72
TE-703380	156	TS-112150	56, 72
TE-703447	168	TS-112152	52, 54, 62
TE-703451	168	TS-112160	56
TE-703452	168	TS-112170	60, 70
TE-703453	168	TS-112180	68
TE-703455	168	TS-112190	68, 72
TE-703460	138	TS-112205	58, 70
TE-703464	138	TS-112207	62, 84
TE-703473	132, 138	TS-112220	62, 64, 84, 86
TE-703474	132, 138	TS-112317	62, 64, 98, 100
TE-703488	100	TS-112330	62, 64, 98, 100
TE-703489	100	TS-113027	92
TE-703491	100	TS-113045	50, 52
TE-703492	32	TS-113120	226

TS-113140.....	84	TS-131610.....	124
TS-113160-2.....	86, 90	TS-132029.....	40, 84
TS-113197.....	226	TS-132033.....	84
TS-113200.....	136	TS-132040.....	44, 86
TS-113267.....	226	TS-132049.....	44, 56, 58
TS-118090.....	62, 64, 230	TS-132050.....	40, 62
TS-118115.....	44	TS-132056.....	40
TS-118150.....	40	TS-132058.....	84
TS-118177.....	96	TS-132060-2.....	54
TS-118215.....	126	TS-132066.....	44, 54, 86
TS-121045.....	126, 130	TS-132105.....	74
TS-121080.....	126, 130	TS-132120.....	72
TS-121112.....	74	TS-132123.....	72
TS-121120.....	74	TS-132125.....	74
TS-121130.....	60	TS-132128.....	74
TS-121150.....	56	TS-132135.....	74
TS-121165.....	58	TS-132137.....	72
TS-121180-2.....	116	TS-132140.....	44
TS-121380.....	236	TS-132155.....	50, 74
TS-121570.....	124	TS-132163.....	70
TS-122028.....	46, 62, 64	TS-132170.....	68, 70
TS-122035.....	236	TS-132173.....	68, 70
TS-122040.....	68, 70, 236	TS-132174.....	70
TS-122049.....	40	TS-132185.....	50, 70
TS-122050.....	40, 50	TS-132205.....	50, 74
TS-122060.....	40, 42	TS-132210.....	50, 70
TS-122090.....	94	TS-132220.....	50, 70, 74
TS-122110.....	116, 118, 120, 130	TS-132250.....	50, 70
TS-122130.....	72	TS-132285.....	118, 120
TS-122155-2.....	64	TS-132318.....	118, 120
TS-122157.....	50, 62	TS-133047.....	84
TS-122210.....	126	TS-133060-2.....	44, 64
TS-123028.....	40, 44	TS-133083.....	118, 120
TS-123032.....	96	TS-133190.....	66
TS-123050.....	88, 230	TS-133194.....	226
TS-123058.....	40	TS-133250.....	226
TS-123110.....	126	TS-133275.....	118, 120
TS-127075.....	94	TS-133312.....	118, 120
TS-127100.....	74	TS-138040.....	68, 72
TS-127130.....	72	TS-138110.....	66
TS-127180.....	116	TS-138130.....	66
TS-128030.....	118, 120	TS-141500.....	136
TS-128035.....	136	TS-141605.....	124
TS-128036.....	118, 120	TS-148165.....	126
TS-128040.....	118, 120	TS-148190.....	226
TS-128044.....	116	TS-148253.....	226
TS-128050-2.....	44	TS-151095.....	50, 86
TS-128060.....	116	TS-151190.....	126
TS-128065.....	136	TS-151200-4.....	86
TS-128075.....	118, 120	TS-151250.....	226
TS-128083.....	118, 120	TS-151500.....	136
TS-128110.....	66	TS-152021.....	84
TS-128128.....	40, 46	TS-152060.....	84
TS-128600.....	44, 230	TS-152065.....	50, 86
TS-131045-2.....	50, 86	TS-153189.....	226
TS-131050-2.....	50, 86	TS-158013.....	84
TS-131115.....	124	TS-158023.....	84
TS-131155.....	124	TS-161075.....	46, 88
TS-131195.....	126	TS-162051.....	46, 50
TS-131246.....	124	TS-162180.....	46, 84
TS-131270.....	60	TS-171043.....	76
TS-131290.....	136	TS-171045.....	50, 76, 78
TS-131300.....	136	TS-172070.....	44, 78
TS-131315.....	136	TS-172180.....	76, 78, 80, 82
TS-131500.....	136	TS-172235.....	38, 76, 78, 80, 82

TS-273056 164 TS111570 124

TERRI

FOR ALL TERRAIN

Address

Terri AB
c/o Alfing i Älmhult AB
Box 151
343 22 Älmhult

Phone:
+46 476 69 52 00

Web:
www.terri.se

E-mail:
info@terri.se