

Spare Parts Catalog

Terri 3 FW 8WD



CONTENTS

1	INTRODUCTION	1
2	KEY TO SYMBOLS	3
	Key to symbols	3
3	ENGINE	7
	Engine mounts	7
	Exhaust system	9
	Cooling system.....	11
	Cooling system.....	13
	Drive belts	17
	Pump connector	19
	Heating system (with Eberspächer).....	21
	Fuel system.....	23
	Fuel system.....	27
	Air and fuel filter.....	31
	Oil filter and drain.....	33
4	HYDRAULIC SYSTEM	35
	Hose identification	35
	Hydraulic tank (A)	37
	Hydraulic tank (A)	41
	Hydraulic pump (B)	45
	Drive valve (C).....	47
	Block valve drain (D).....	51
	Valve block drain trailer (E).....	53
	Distribution block front bogie (F).....	55
	Distribution block front bogie (F).....	57
	Distributor block rear bogie (G)	59
	Pilot block (H).....	61
	Pilot block (H).....	63
	In-wheel motor, wheel w/o brake (I) - welded bogie.....	65
	In-wheel motor, wheel without brake (I) - cast bogie.....	67
	In-wheel motor, wheel with brake (J) - welded bogie	69
	In-wheel motor, wheel with brake (J) - cast bogie.....	71
	Thermostat block (K).....	73
	Thermostat block (K).....	75
	Hydraulic oil cooler	77
	Hydraulic oil cooler	79
	Bulkhead connector	81
	Bulkhead connector	83
	Valve block, articulation lock	85
	Articulation lock cylinders	87
	Steering cylinders	89
	Cab lift, valve and pump	91
	Ladder	93
	Ladder	95
	Crane valve with connections	97
	Crane valve - P40 - CT/CW/FT/FW	99
	Crane valve - P30T/P40T - FW	103
	Crane valve - P40 - CT/CW/FT/FW	107
	Crane valve - P30T/P40T - FW - P40T/P61T - HW.....	111
5	CRANE	115
	Accumulators and overcentre valve.....	115
	Crane P30T Forwarder	117
	Crane P30T Forwarder	119
	Crane P40/P40T Forwarder.....	123
	Crane P40T Forwarder	125
	Link/Slewing damper.....	127
	Axle	131
	Rotator	133

6	FRAME AND BODY	135
	Hood, hinges and battery shelf.....	135
	Cab lock.....	143
	Frame joint/Steering joint.....	145
	Articulation sensor and protective hose for lighting cable	149
	Frame valve assembly, without rubber cover.....	151
	Frame valve assembly, without rubber cover.....	153
	Trailer	155
	Stake.....	159
	Tipper body.....	161
	Wheel suspension, welded bogie - Poclain	163
	Wheel suspension, cast bogie - Poclain.....	165
7	CAB	167
	Windows, doors and hatches	167
	Cab, exterior	171
	Air conditioner ECC kit	175
	Sunshields	179
8	SEAT.....	181
9	ELECTRICAL SYSTEM.....	185
	Switches etc. inside cab	185
	Switches etc. inside cab	189
	Throttle pedal, moveable with foot switch for direction of travel.....	193
	Throttle pedal, moveable without foot switch for direction of travel	195
	Lever pallet, left	197
	Lever pallet, right	199
	Distribution box.....	201
	Distribution box.....	205
	Engine control box	207
	Lighting and wiper motors.....	209
10	GRAPPLE	211
	Grapple with 50 mm adapter.....	211
	Grapple with 63 mm adapter.....	213
	Grapple with bolted rotator	215
	Quick-release connector	217
11	OTHER OR ADDITIONAL EQUIPMENT	219
	Drive belt and chains.....	219
	Towing hook.....	221
	Electric front winch.....	223
	Hydraulic front winch.....	225
	Fire extinguisher.....	227
	Fire extinguishing system	229
	Engine heater Eberspächer Hydronic S3 24V	231
	Tools and miscellaneous	233
	Signs and decals	235
	Colour.....	237
12	HYDRAULIC DIAGRAM	239
	Rev B	239
	Drive valve 8WD.....	241
	INDEX	242

1 INTRODUCTION

TERRI is constantly working to improve its machines. As such, we reserve the right to change data and equipment, as well as instructions for maintenance and other measures.

The spare parts catalogue is designed to cover all TERRI markets and equipment levels, so please disregard the sections that do not apply to your particular machine.

During the warranty period, **only** genuine TERRI spare parts should be used to ensure the functionality of the machine and maintain the warranties.

Note:

If a part has a hyphen instead of a number, or a hyphen in front of the number in the "Item column", it belongs to the part without a hyphen listed above it, but can also be purchased as a separate part.

When ordering spare parts, always indicate the serial number of the machine.

When ordering a hydraulic hose, always check the length and type of couplings on the existing hose before ordering.

To order spare parts, please contact:

reservdelar@terri.se

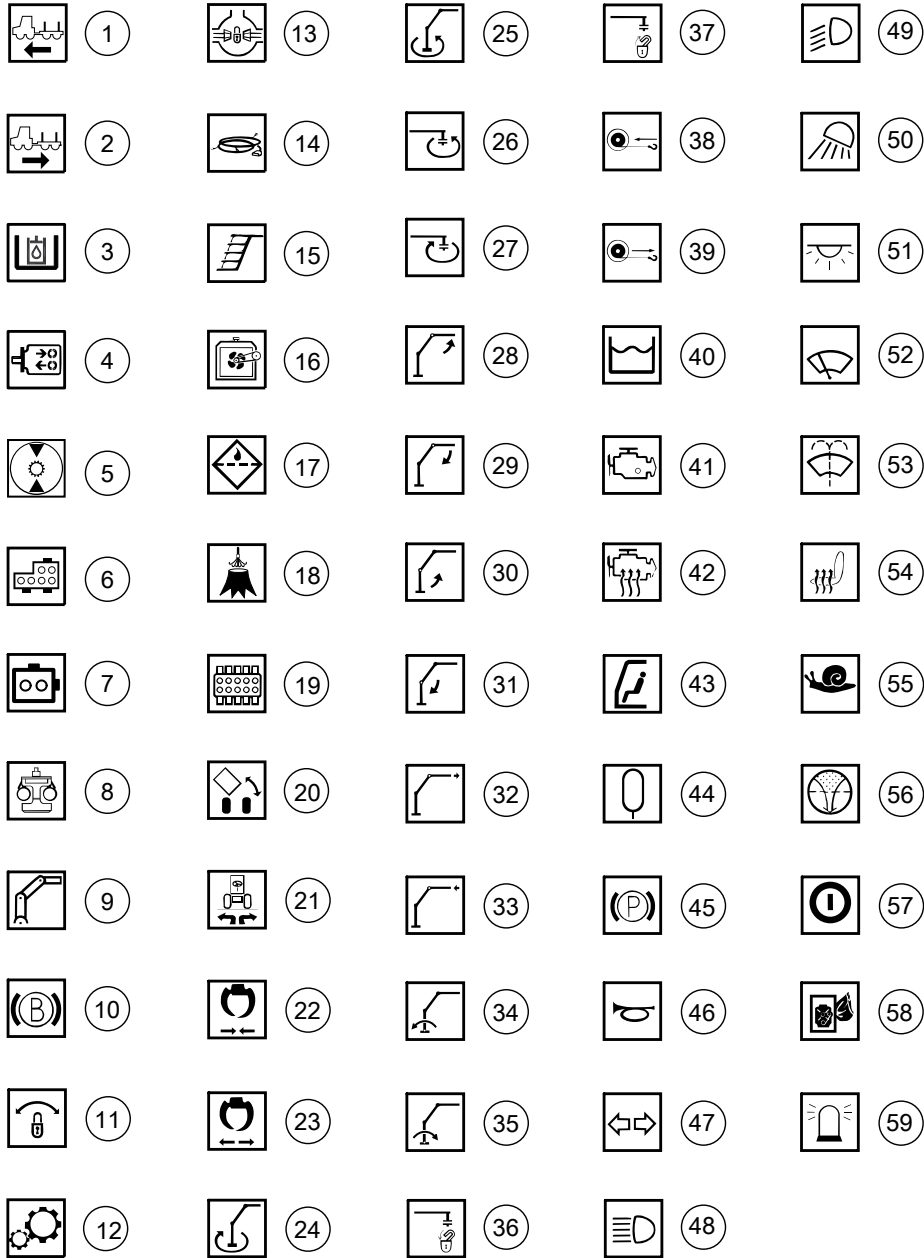
Bäckgatan 32, Box 151,

SE-343 22 Älmhult

Tel: +46(0)476-70 97 90

2 KEY TO SYMBOLS

Key to symbols

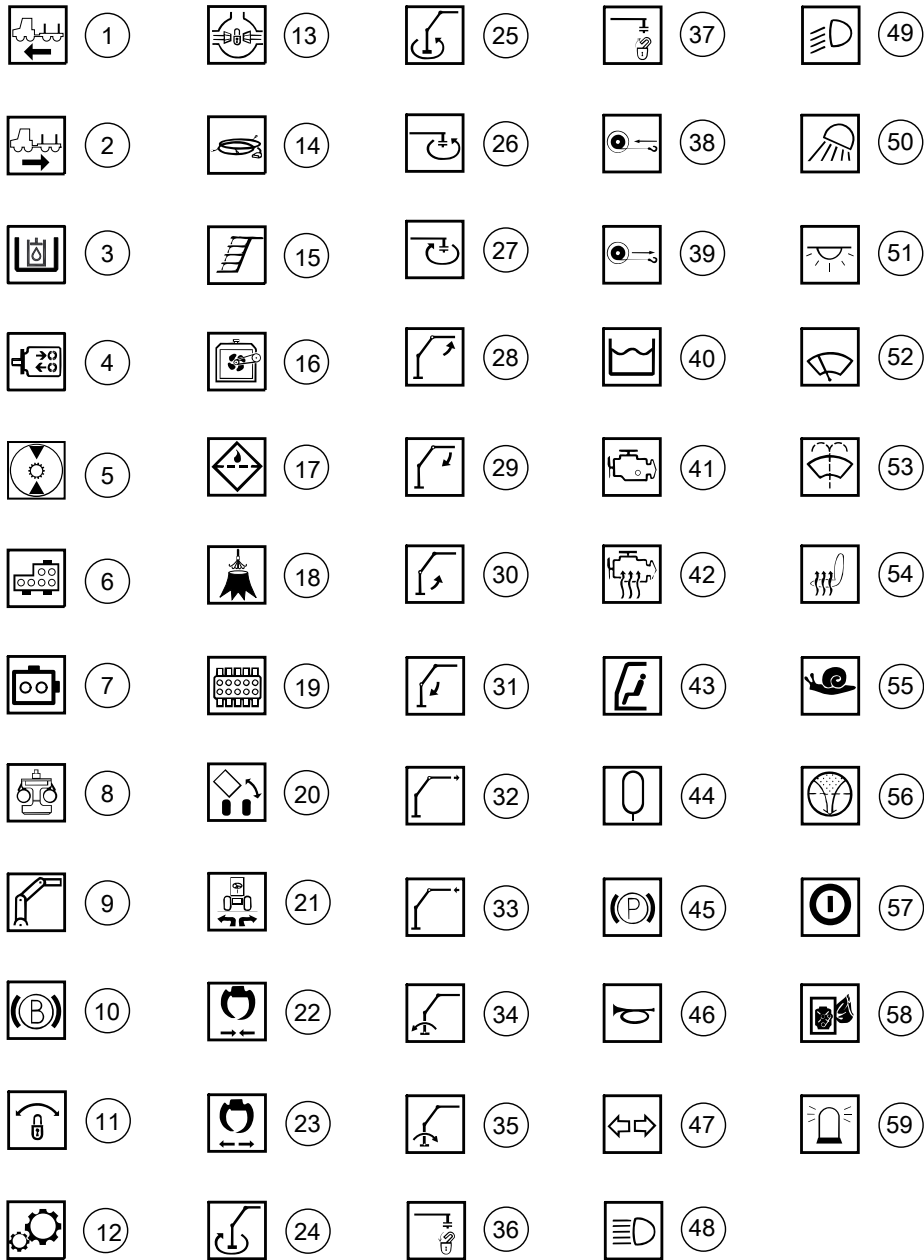


000361

Key to symbols

Pos	Art.	Qty.	Description	Remarks
1			Machine forwards	
2			Machine backwards	
3			Hydraulic oil tank	
4			Hydraulic pump	
5			In-wheel motor	
6			Hydraulic valve	
7			Hydraulic block	
8			Harvesting head	
9			Crane	
10			Brake	
11			Articulation lock	
12			Gear	
13			Differential lock	
14			Electricity	
15			Ladder	
16			Cooling	
17			Oil filter	
18			Stump treatment (urea)	
19			Hydraulic controls/Valve assembly	
20			Cab tilt	
21			Articulated steering	
22			Grapple, close	
23			Grapple, open	
24			Crane slew, clockwise	
25			Crane slew, anticlockwise	
26			Rotator, anticlockwise	
27			Rotator, clockwise	
28			Rocker arm, up	
29			Rocker arm, down	
30			Jib, up	
31			Jib, down	
32			Extension, out	
33			Extension, in	
34			Crane tilt/Levelling, backwards	
35			Crane tilt/Levelling, forward	
36			Crane tip equipment, lock	

Key to symbols



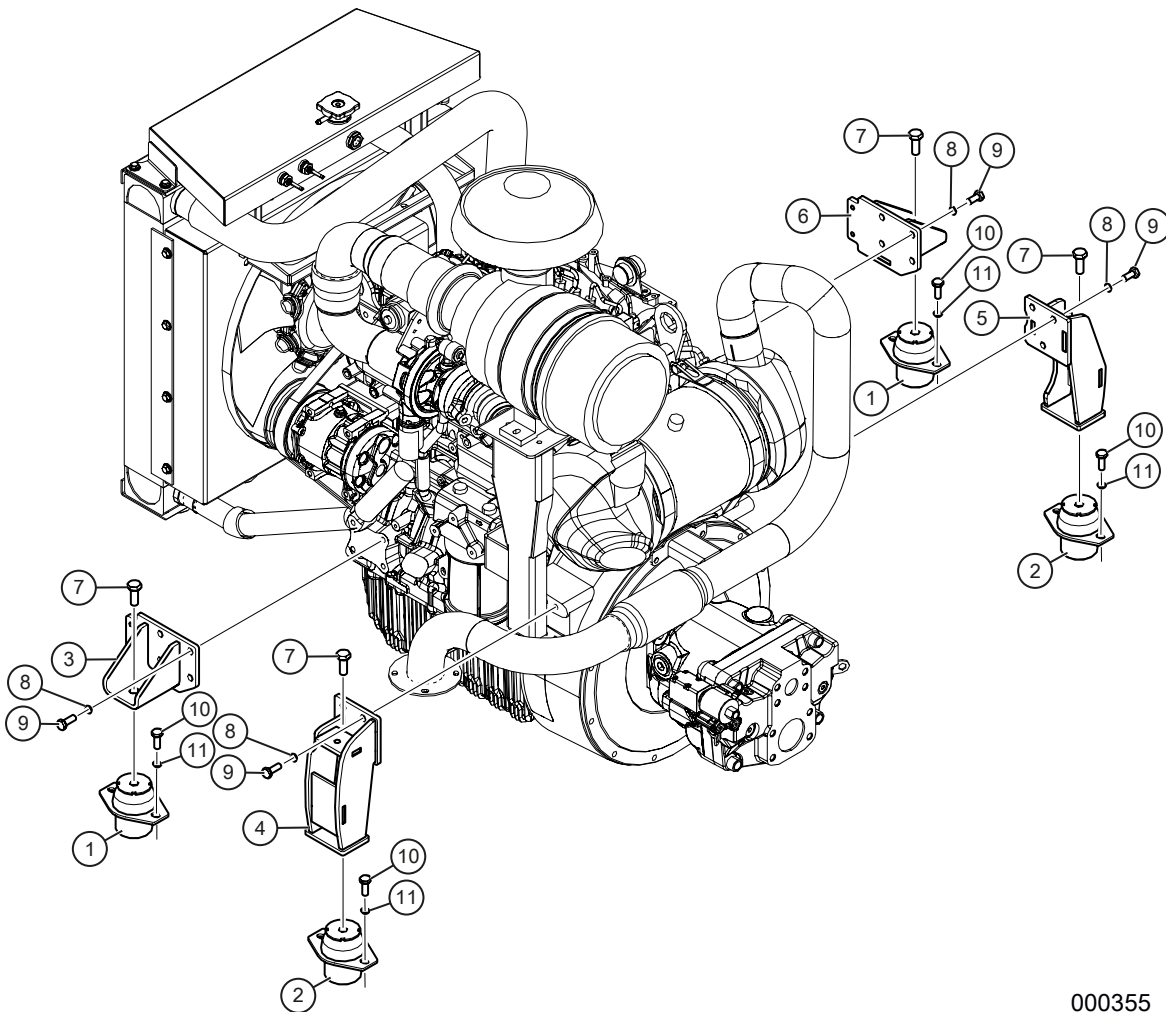
000361

Key to symbols

Pos	Art.	Qty.	Description	Remarks
37			Crane tip equipment, unlock	
38			Winch, in	
39			Winch, out	
40			Fuel tank	
41			Engine	
42			Engine heater	
43			Cab	
44			Accumulator	
45			Parking brake	
46			Horn	
47			Turn indicator	
48			High beam	
49			Low beam	
50			Work lights	
51			Internal light	
52			Windscreen wiper	
53			Windscreen washer	
54			Seat heater	
55			Gear shift control	
56			Return oil filter	
57			Proximity switch	
58			Fire extinguishing system	
59			Rotating beacon	

3 ENGINE

Engine mounts

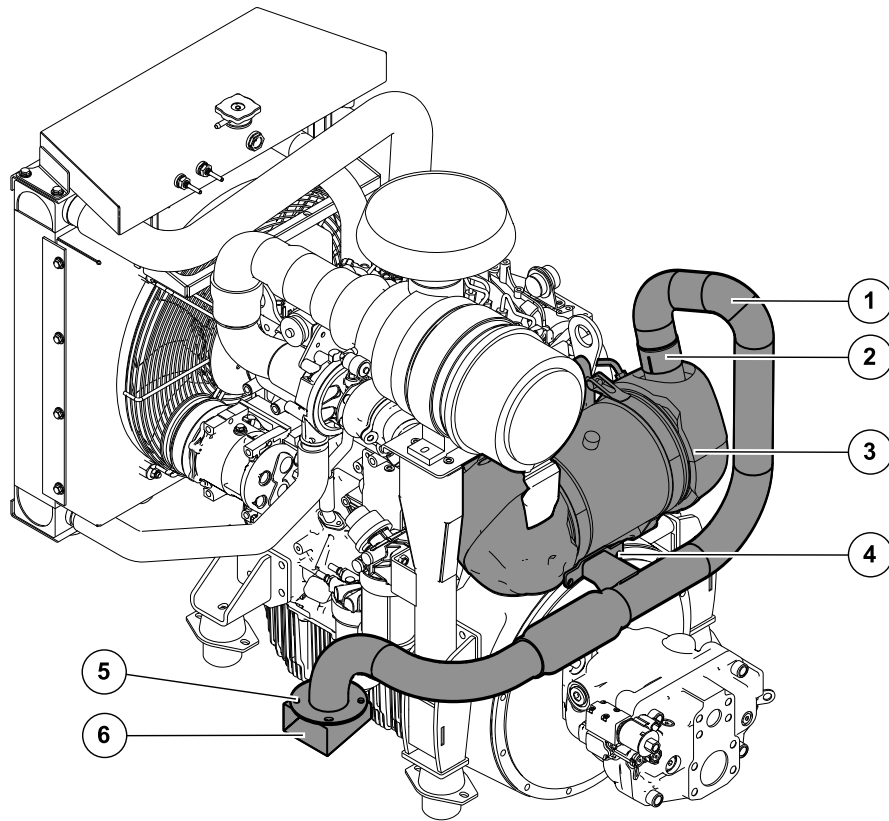


000355

Engine mounts

Pos	Art.	Qty.	Description	Remarks
1	KT-795003	2 pcs	Engine cushion	Front
2	KT-795002	2 pcs	Engine cushion	Rear
3	TE-702108	1 pc	Engine mount	Left front
4	TE-702103	1 pc	Engine mount	Left rear
5	TE-702094	1 pc	Engine mount	Right rear
6	TE-702106	1 pc	Engine mount	Right front
7	09-266040	4 pcs	Flange screw	M6SFT 12x25 8.8 FZB
8	K6163-000	14 pcs	Nordlock washer	M12
9	KT-6067-270	14 pcs	Hex screw	MC6SH 12X30 12.9 OBEH. Use Loctite 270
10	K6077-02	8 pcs	Screw	M6S 10X30 8.8 FZB
11	K6152	8 pcs	Flat washer	BRB M10 FZB

Exhaust system

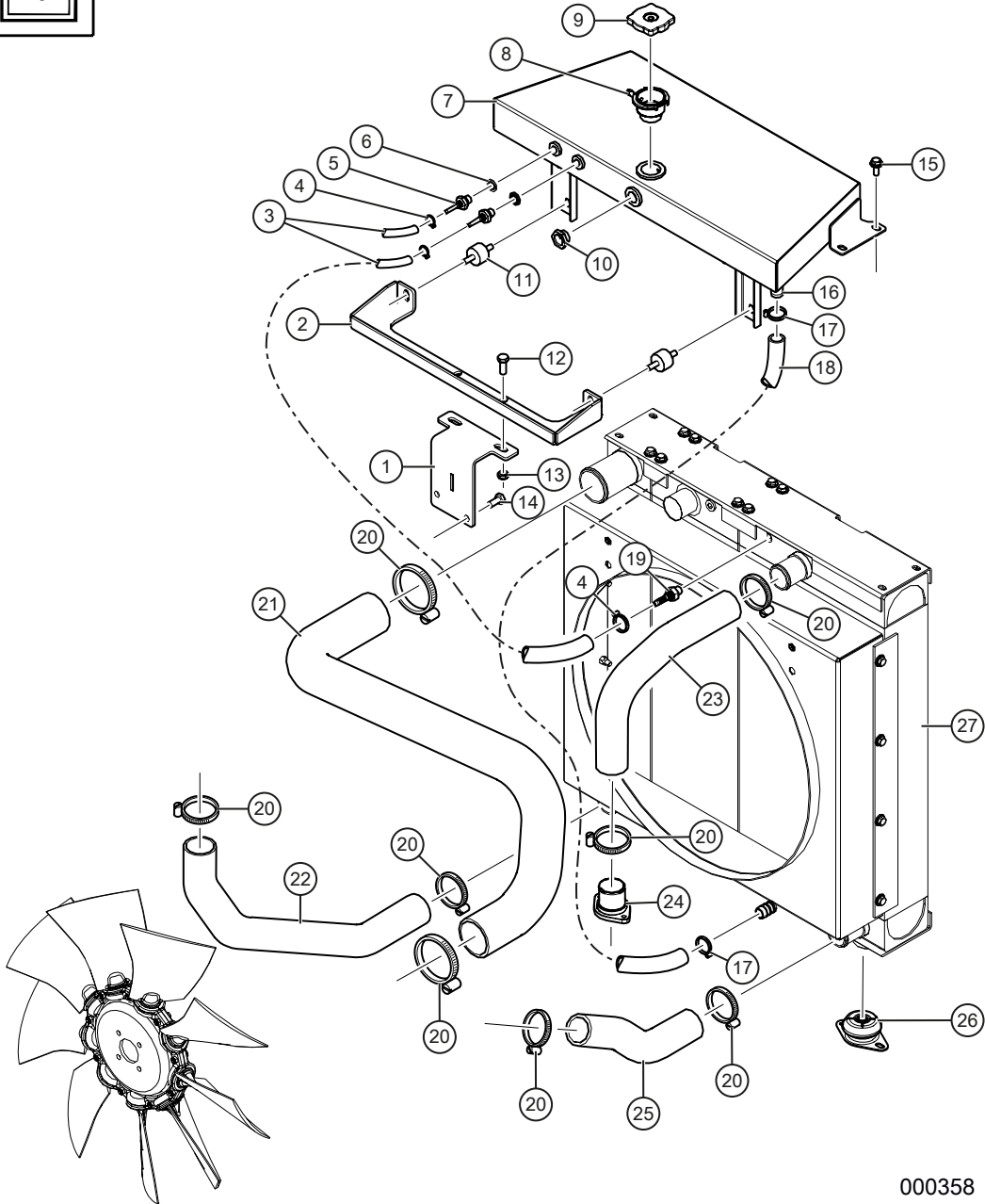
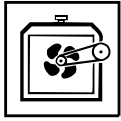


000357

Exhaust system

Pos	Art.	Qty.	Description	Remarks
1	KT-267802	1 pc	Exhaust pipe	Replaces TE-702324
2	KT-185015	1 pc	Pipe clamp	2 3/4" 70 mm
3	KT-765043	1 pc	Particulate filter	
4	KT-6067-262	2 pcs	Hex screw	MC6SH 10x30 12.9
5	K6075-01	4 pcs	Screw	M6S 8X25 8.8 FZB
6	TE-701162	1 pc	Cap exhaust pipe	

Cooling system

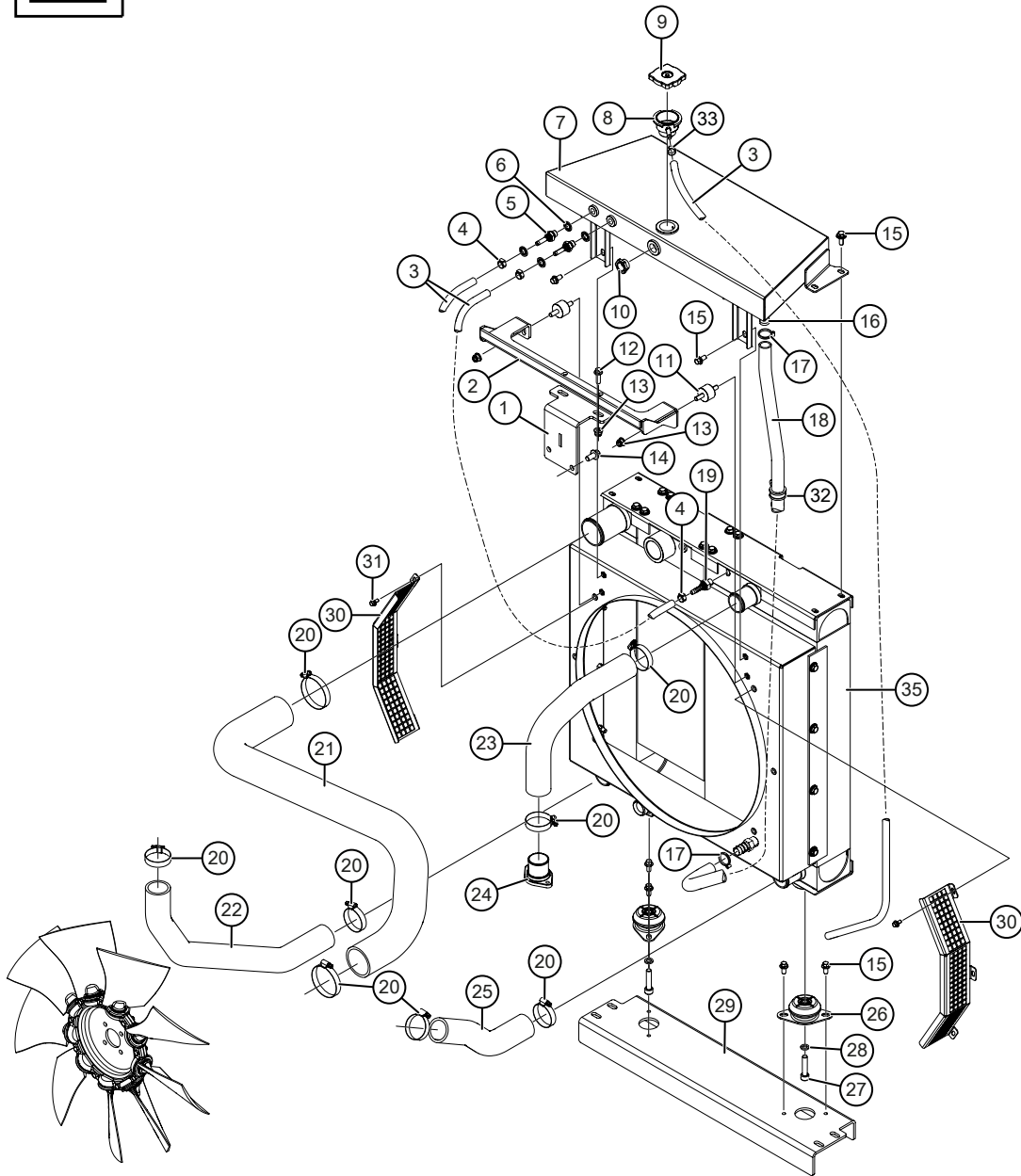
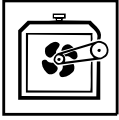


000358

Cooling system

Pos	Art.	Qty.	Description	Remarks
			Cooling system	Valid up to machine T23-016
1	TE-702135	1 pc	Bracket	
2	TE-702136	1 pc	Rod	
3	KT-240502	LM	Fuel hose	8.0x3.0 mm
4	KT-185406	3 pcs	Hose clamp	13 mm
5	KT-50740812	2 pcs	Connection	G1/2" UF-3/4"
6	KT-56010108	2 pcs	Rubber steel washer	R 1/2"
7	TE-702143	1 pc	Expansion tank	
8	KT-791245	1 pc	Radiator cap neck	
9	KT-791244	1 pc	Radiator cap	
10	KT-50991141	1 pc	Sight glass	1/2"
11	KT-765003	2 pcs	Vibration damper	Upper. Use Loctite 270
12	09-265604	2 pcs	Flange screw	M6SF 8x25 8.8 FZB
13	09-265605	2 pcs	Flange lock nut	LM6MF 8 FZB
14	K6077-001	2 pcs	Flange screw	M6SF 10X20 8.8 FZB
15	09-266793	4 pcs	Flange screw	M6SF 8x16 8.8 FZB
16	KT-50740812	1 pc	Hose coupling	G1/2" UF-3/4"
	KT-56010108	1 pc	Rubber steel washer	R 1/2"
17	KT-185104	2 pcs	Hose clamp	15-24 mm
18	KT-790856	1 pc	Water hose elbow	18 mm Eberspächer
19	KT-765001-8	1 pc	Nipple	Ø8 1/4"
20	KT-185111	8 pcs	Hose clamp	50-65 mm
21	KT-765007	1 pc	Hose	Intercooler inlet
22	KT-765006	1 pc	Hose	Turbo intercooler
23	KT-765004	1 pc	Cooler hose	Upper
24	KT-765044	1 pc	Thermostat	
25	KT-765005	1 pc	Cooler hose	Lower
26	KT-765011	2 pcs	Vibration damper	Lower
27	KT-765001	1 pc	Combined cooler	Water/oil/intercooler
-	KT-765001-1	1 pc	Cooling element	Intercooler
-	KT-765001-2	1 pc	Cooling element	Oil
-	KT-765001-3	1 pc	Cooling element	Water
-	KT-765001-4	1 pc	Fan housing	
-	KT-765001-5	1 pc	Mounting plate	Upper
-	KT-765001-6	1 pc	Mounting plate	Lower
-	KT-765001-7	1 pc	Drain plug	M14x1.5

Cooling system

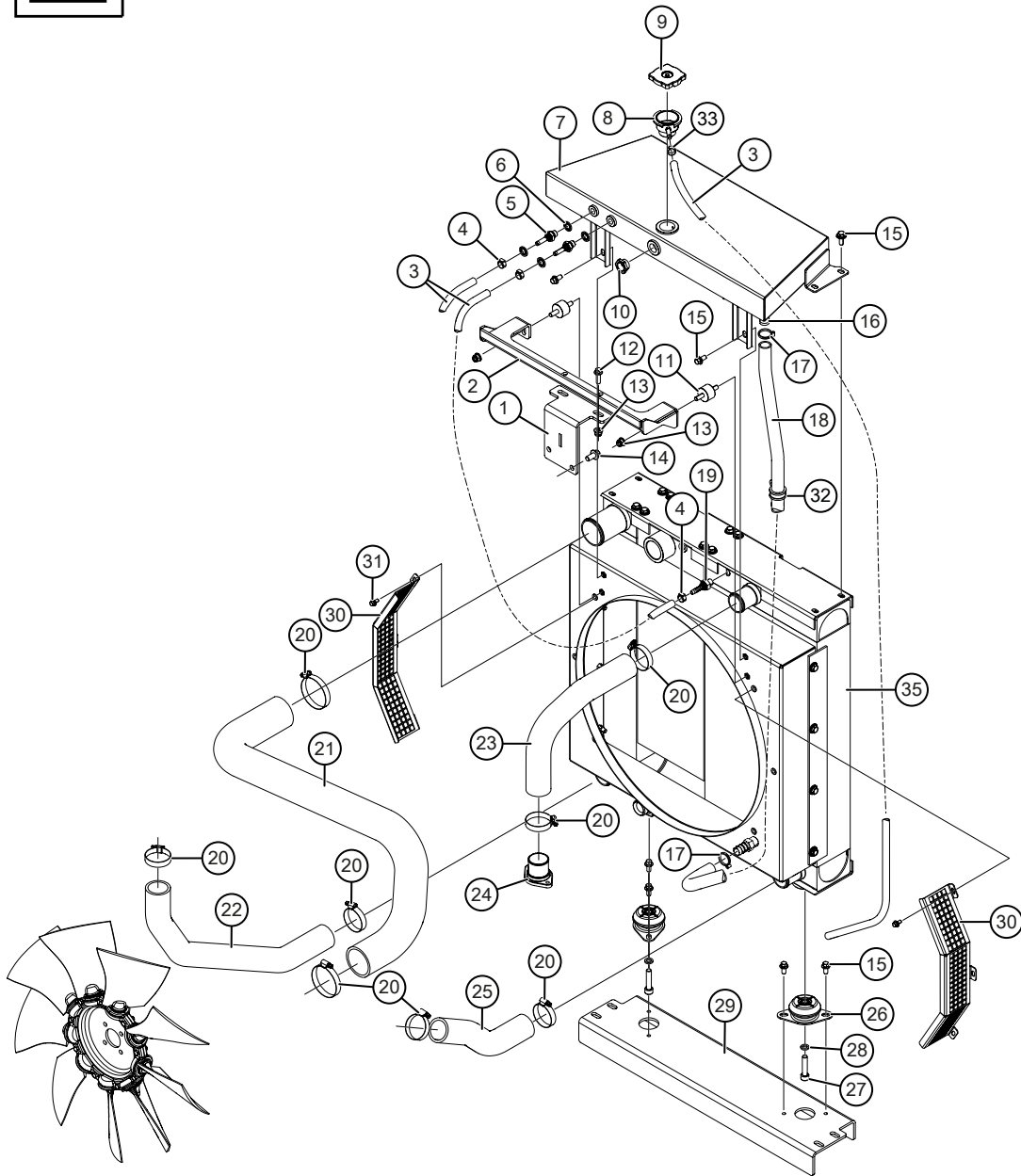
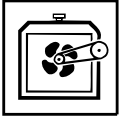


000549

Cooling system

Pos	Art.	Qty.	Description	Remarks
			Cooling system	Valid from machine T23-017
1	TE-702135	1 pc	Bracket	
2	TE-702528	1 pc	Rod	
3	KT-240502	LM	Air bleed hose	8.0x3.0 mm
4	KT-185406	3 pcs	Hose clamp	13 mm
5	KT-42020405	2 pcs	Connection	G1/4" UF-5/16"
6	KT-56010104	2 pcs	Rubber steel washer	R 1/4"
7	TE-702143	1 pc	Expansion tank	
8	KT-791245	1 pc	Radiator cap neck	
9	KT-791244	1 pc	Radiator cap	
10	KT-50991141	1 pc	Sight glass	1/2"
11	KT-765003	2 pcs	Vibration damper	Upper. Use Loctite 270
12	09-265604	2 pcs	Flange screw	M6SF 8x25 8.8 FZB
13	09-265605	4 pcs	Flange lock nut	LM6MF 8 FZB
14	K6077-001	2 pcs	Flange screw	M6SF 10X20 8.8 FZB
15	09-266793	10 pcs	Flange screw	M6SF 8x16 8.8 FZB
16	KT-50740812	1 pc	Hose coupling	G1/2" UF-3/4"
	KT-56010108	1 pc	Rubber steel washer	R 1/2"
17	KT-185104	2 pcs	Hose clamp	15-24 mm
18	KT-790856	1 pc	Water hose elbow	18 mm Eberspächer
19	KT-765001-8	1 pc	Nipple	Ø8 1/4"
20	KT-185111	8 pcs	Hose clamp	50-65 mm
21	KT-765007	1 pc	Hose	Intercooler inlet
22	KT-765006	1 pc	Hose	Turbo intercooler
23	KT-765004	1 pc	Cooler hose	Upper
24	KT-765044	1 pc	Thermostat	
25	KT-765005	1 pc	Cooler hose	Lower
26	KT-765011	2 pcs	Vibration damper	Lower
27	K6067-24	2 pcs	Hex screw	MC6S 10x45 8.8 FZB
28	K6163-003	2 pcs	Locking washer	M10 Nordlock
29	TE-702131	1 pc	Radiator support	
30	TE-703275	2 pcs	Guard fan wheel	
31	09-267710	6 pcs	Flange screw	M6SF 6x12 8.8 FZB
32	KT-176425	1 pc	Rubber clamp	25 mm
33	KT55603157	1 pc	Hose clamp	15.7/13.2
34	KT-765001	1 pc	Combined cooler	Water/oil/intercooler

Cooling system

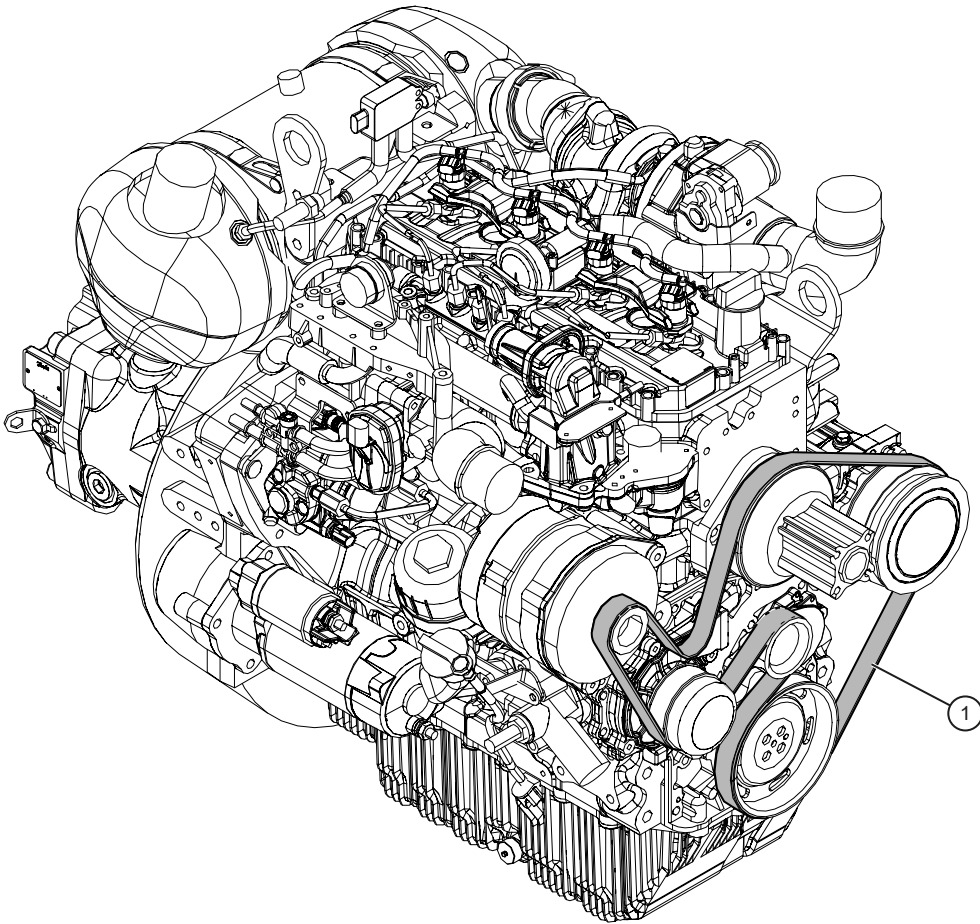


000549

Cooling system

Pos	Art.	Qty.	Description	Remarks
-	KT-765001-1	1 pc	Cooling element	Intercooler
-	KT-765001-2	1 pc	Cooling element	Oil
-	KT-765001-3	1 pc	Cooling element	Water
-	KT-765001-4	1 pc	Fan housing	
-	KT-765001-5	1 pc	Mounting plate	Upper
-	KT-765001-6	1 pc	Mounting plate	Lower
-	KT-765001-7	1 pc	Drain plug	M14x1.5

Drive belts

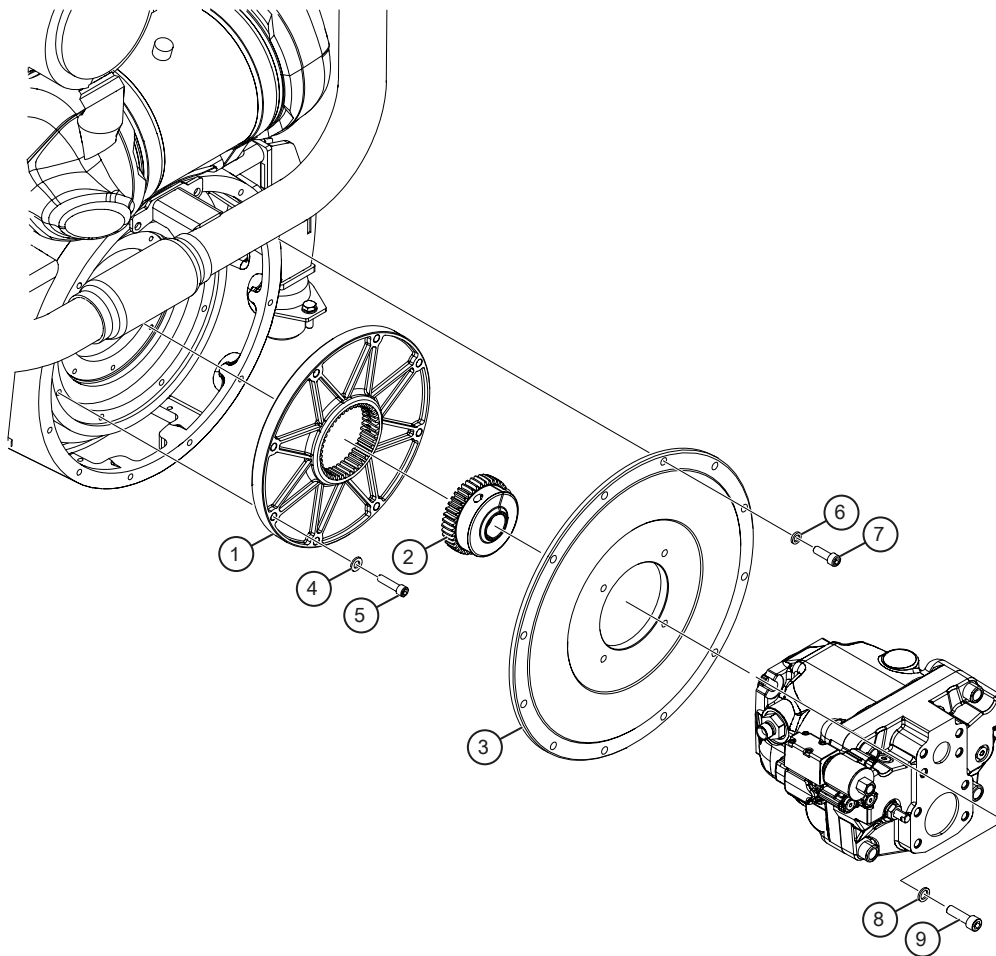


000359

Drive belts

Pos	Art.	Qty.	Description	Remarks
1	KT-765045	1 pc	Fan belt	

Pump connector

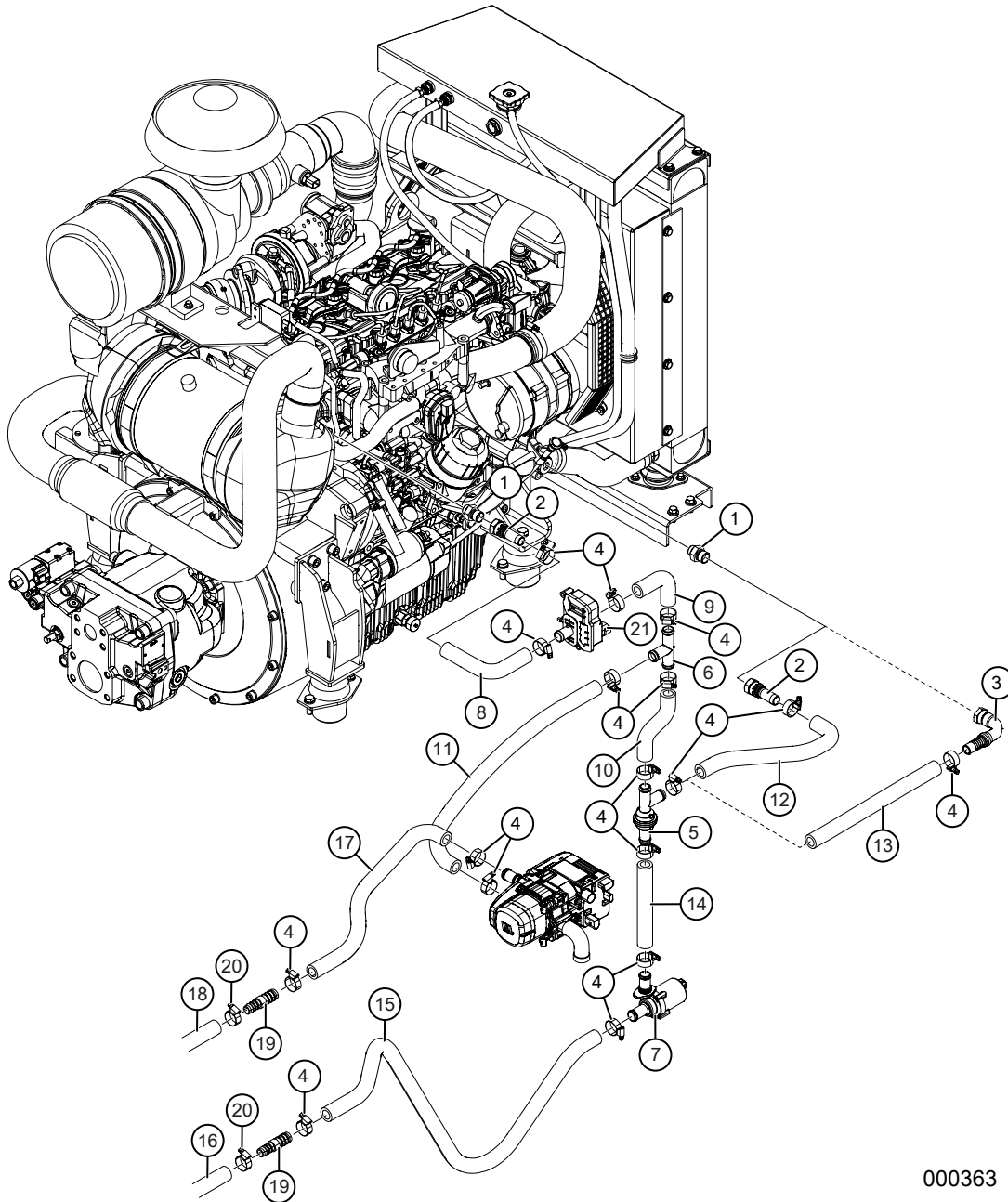


000356

Pump connector

Pos	Art.	Qty.	Description	Remarks
1	KT-765018	1 pc	Flange coupling	
2	KT-795027	1 pc	Hub	
3	KT-795028	1 pc	Pump bracket	
4	K-6152	8 pcs	Flat washer	BRB M10 FZB
5	KT-8001	8 pcs	Screw	UC6S 3/8 UNF X 38 Untr. 12.9. Use Loctite 270
6	K6163-003	12 pcs	Nordlock washer	M10
7	KT-6067-262	12 pcs	Hex screw	MC6S 10X30 12.9
8	KT-267172	4 pcs	Nordlock washer	M12
9	KT-8000	4 pcs	Screw	M6SH 12X40 12.9 UNTR. DIN 933

Heating system (with Eberspächer)

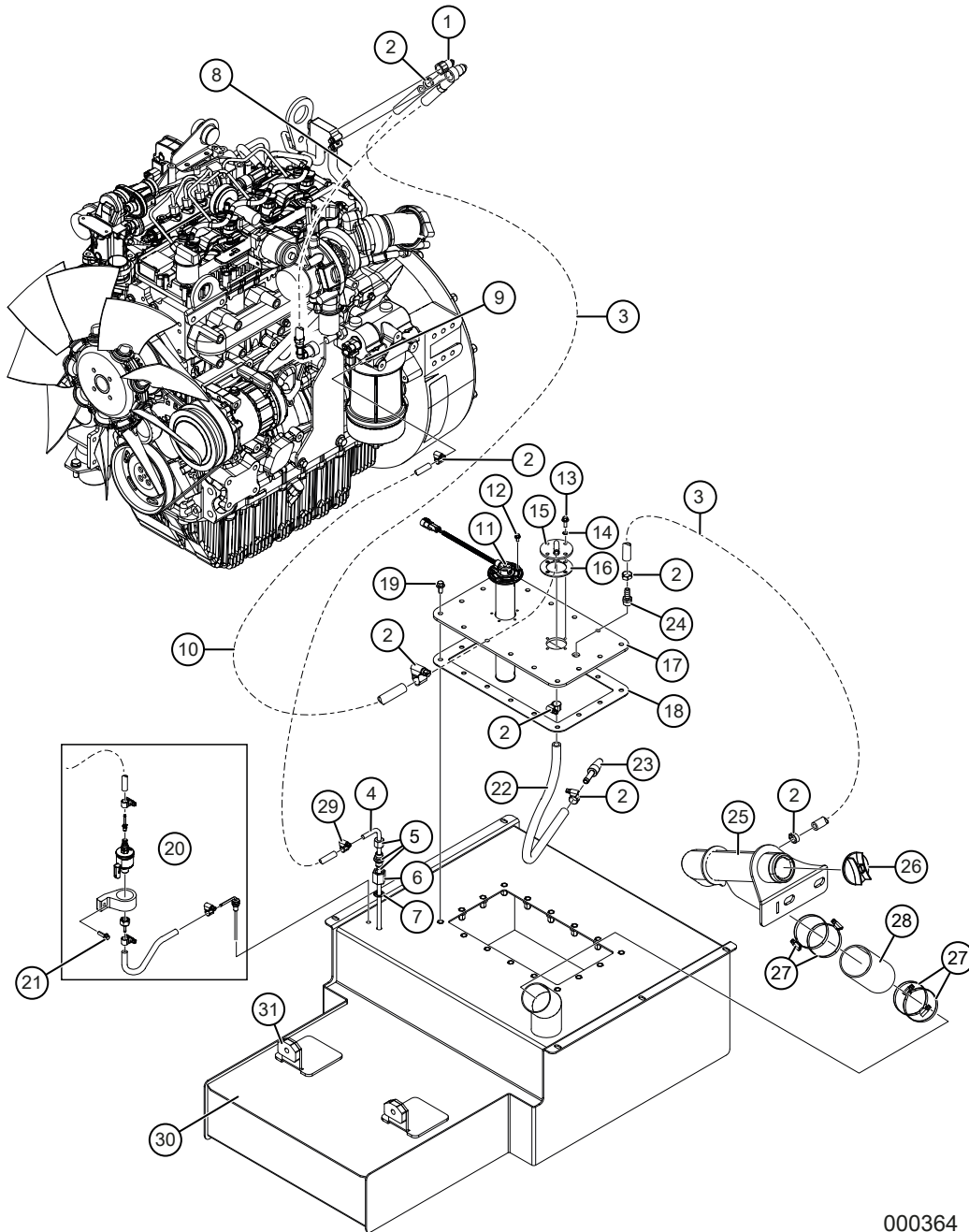


000363

Heating system (with Eberspächer)

Pos	Art.	Qty.	Description	Remarks
1	KT-185105	2 pcs	Adapter	1/2"-3/4" U-U
	KT-56010108	2 pcs	Rubber steel washer	R 1/2"
2	KT-58600812	1 pc/2 pcs	Hose coupling	G 1/2"-IF 3/4"
3	KT-42030812	1 pc	Hose coupling	G 1/2"IF 3/4". Used with hose KT-703578 (item 13).
4	KT-185105	16 pcs	Hose clamp	19-28 mm
5	TE-702921	1 pc	Check valve with restrictor	
6	KT-791241	1 pc	T-pipe	3x20 mm
7	KT-240035	1 pc	Water pump	Eberspächer
	TE-700730	1 pc	Bracket auxiliary pump	
8	KT-703574	1 pc	Hose	Engine out - Water valve. Replaces hose KT-765042-1
9	KT-703575	1 pc	Hose	Water vent T-pipe w/check valve. Replaces hose KT-765042-2
10	KT-703576	1 pc	Hose	T-pipe w/check valve - T-pipe. Replaces hose KT-765042-3
11	KT-703577	1 pc	Hose	T-pipe w/check valve - Heater. Replaces hose KT-765042-4
12	KT-765042-5	1 pc	Hose	T-pipe - Engine In. Older spec. Replaced by hose KT-703578
13	KT-703578	1 pc	Hose	T-pipe - Engine In. New spec. Replaces hose KT-765042-5
14	KT-703579	1 pc	Hose	T-pipe - Water pump elec. Replaces hose KT-765042-6
15	KT-703580	1 pc	Hose	Water pump electrical - joint under cab. Replaces hose KT-765042-7
16	KT-790680	LM	Hose	16 mm. Joint under cab - heater core
17	KT-703582	1 pc	Hose	Heater - joint under cab. Replaces hose KT-765042-9
18	KT-790680	LM	Water hose	16 mm. Heater core - joint under cab
19	KT-7002006	2 pcs	Pipe connector	D 16-19 mm, L=60
20	KT-185104	2 pcs	Hose clamp	15-24 mm
21		1 pc	Water valve, stepless	See <i>Air conditioner ECC kit</i> , page 175

Fuel system

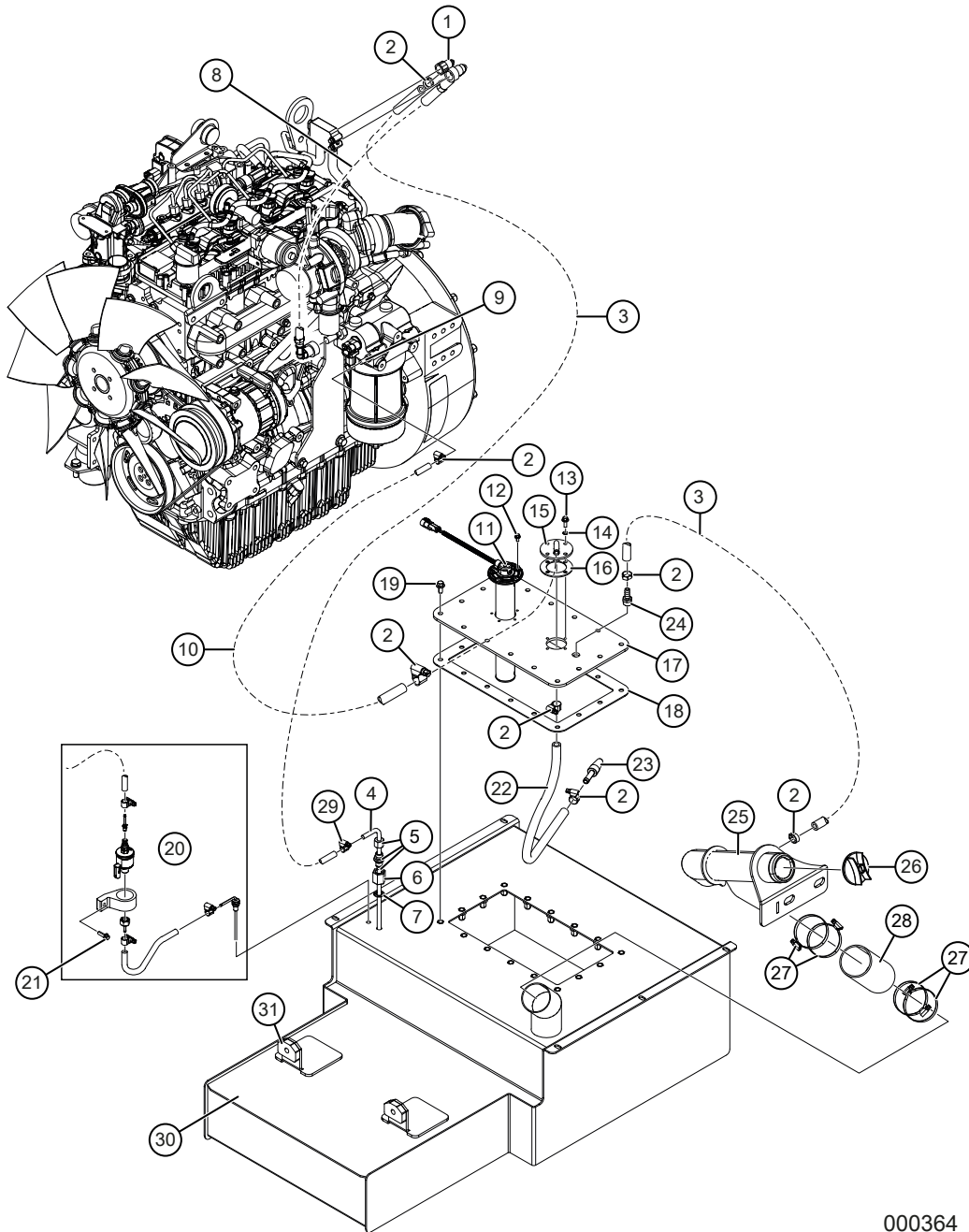


000364

Fuel system

Pos	Art.	Qty.	Description	Remarks
				Up to machine T24-007
1	KT-765037	1 pc	Fuel nipple	90°, ext
2	KT-55603185		Hose clamp	Ø18.5/15.3
3	KT-240210	LM	Fuel hose	10x3.5 mm, L=1000 mm
4	TE-700183	1 pc	Suction pipe fuel	
5	TE-700147-1	1 pc	Ferrule coupling	
6	KT-70110404	1 pc	Adapter	R 1/4"-1/4" I-I
7	KT-56010104	1 pc	Rubber steel washer	R 1/4"
8	TE-703623	1 pc	Fuel hose	L=1450 mm, complete
	KT-765038	2 pcs	Fuel nipple	90°, in. Included in TE-703623
	KT-185102	2 pcs	Hose clamp	11-17 mm. Included in TE-703623
9	KT-58301608	1 pc	Hose coupling	M16x1.5
10	KT-240502	LM	Fuel hose	8.0x3.0 mm
11	KT-791105	1 pc	Fuel level sensor	
	KT-791119	1 pc	Connector plug	
12	09-265731	5 pcs	Flange screw	M6SF 5x10 8.8 FZB
13	09-267257	4 pcs	Flange screw	M6SF 6X16 8.8 FZB
14	KT-56010206	4 pcs	Rubber steel washer	M6
15	TE-702176	1 pc	Fuel connection	
16	KT-702283	1 pc	Gasket	Fuel connection
17	TE-702223	1 pc	Hatch	
18	KT-702280	1 pc	Gasket fuel tank	Use Loctite 3020
19	09-266793	16 pcs	Flange screw	M6SF 8x16 8.8 FZB
20	KT-240036	1 pc	Fuel pump Eberspächer	
*	KT-240036-1		Mounting elements	Eberspächer fuel pump
21	09-266034	1 pc	Flange screw	M6SFT 6x20 8.8 FZB
22	KT-240210	LM	Fuel hose	10x3.5 mm, L=500 mm
23	KT-703138	1 pc	Weight fuel tank	Replaces KT-58600606 and KT-791278
24	KT-50740606	1 pc	Hose coupling	G3/8" ext. Use Loctite 542
25	TE-702168	1 pc	Fuel filler neck	
26	KT-791533	1 pc	Fuel filler cap	Replaces KT-1021813
	TE-702601-1	1 pc	Cover plate rear hood left	Required for tank cap KT-791533
27	KT-185112	4 pcs	Hose clamp	58-75 mm
28	KT-14350032	LM	Tanker hose	2"
29	KT-55603170	1 pc	Hose clamp	17/14.5
30	TE-702117	1 pc	Fuel tank	

Fuel system

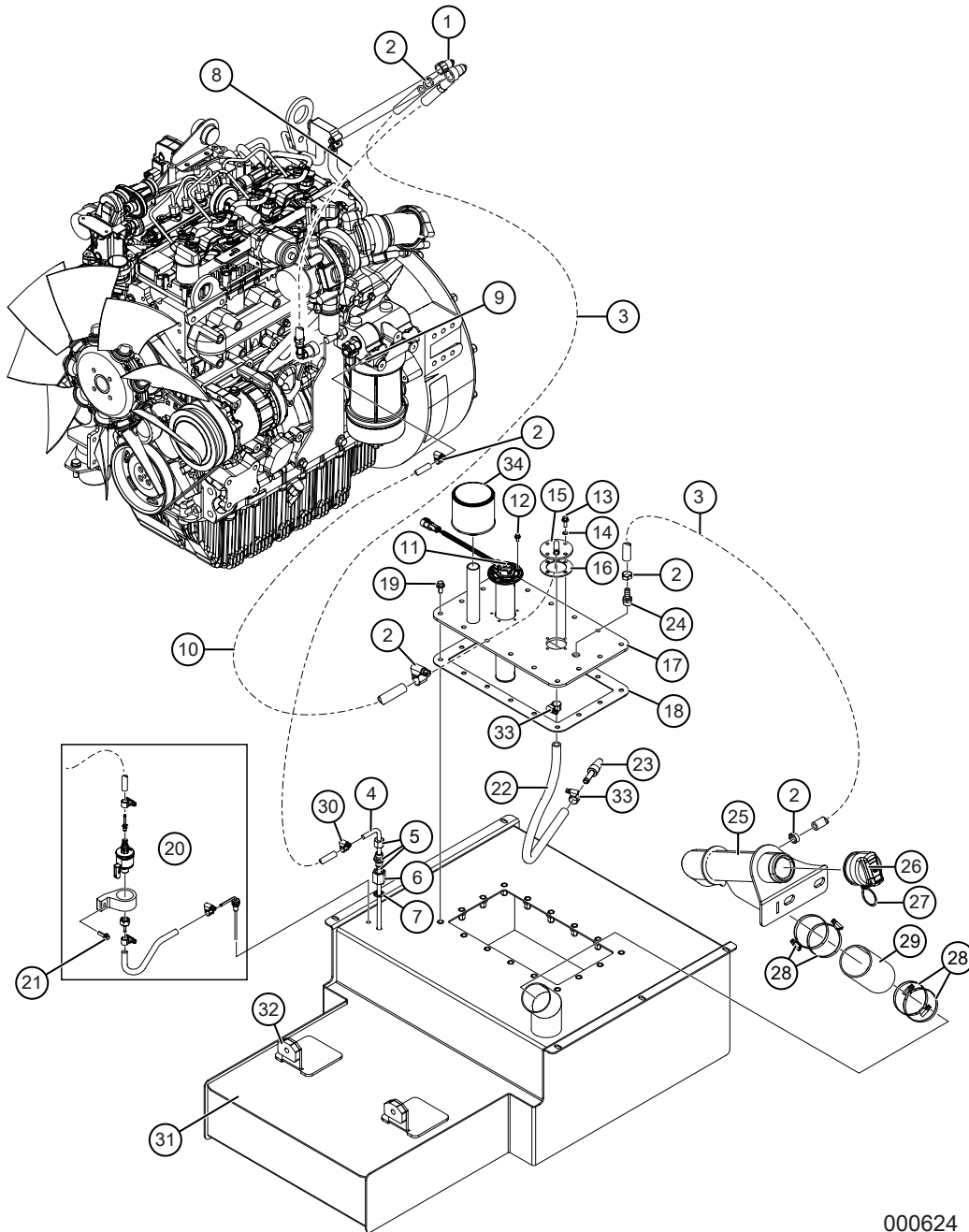


000364

Fuel system

Pos	Art.	Qty.	Description	Remarks
31	TE-702697	2 pcs	Spacer	T=12 mm

Fuel system

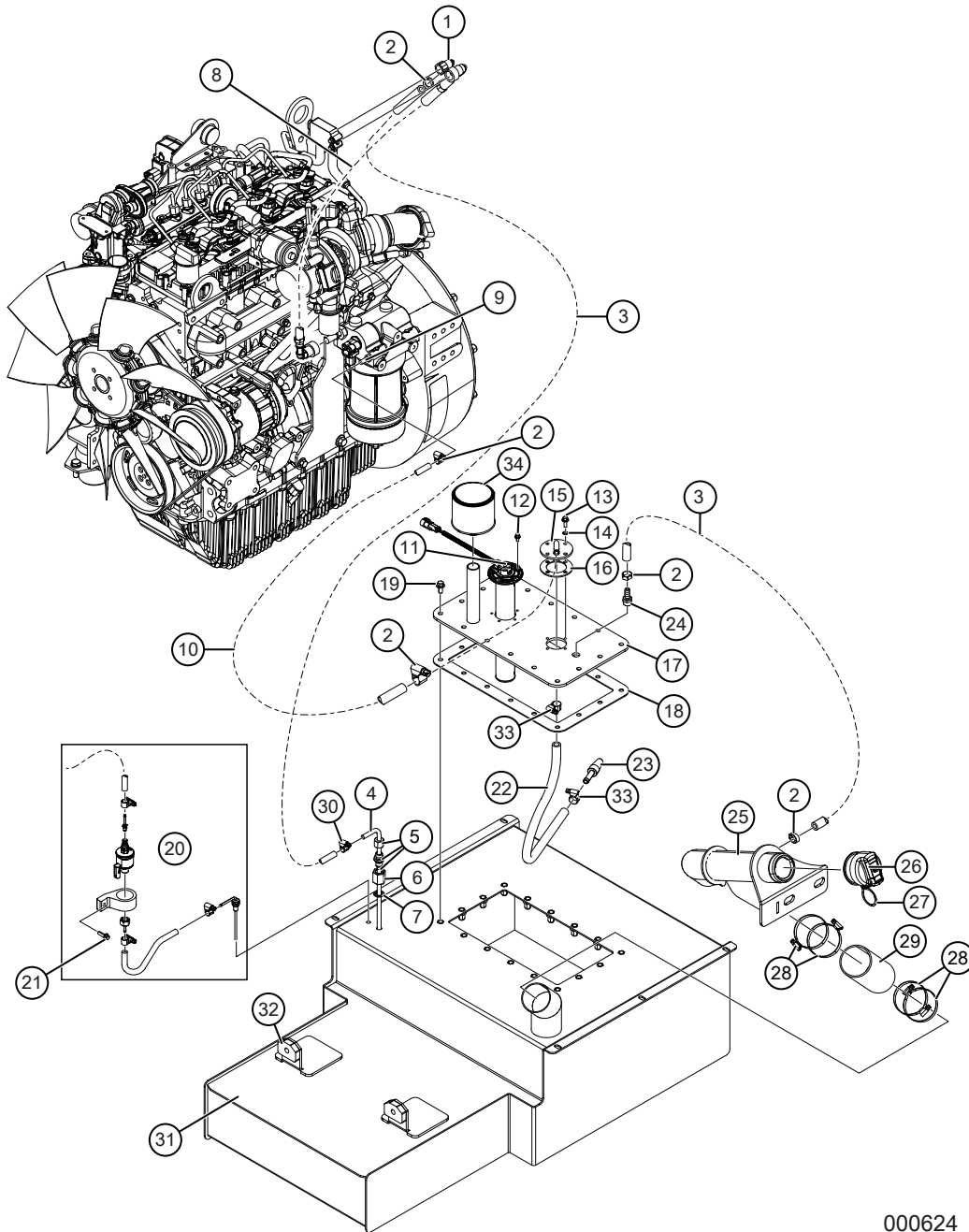


000624

Fuel system

Pos	Art.	Qty.	Description	Remarks
				From machine T24-008
1	KT-765037	1 pc	Fuel nipple	90°, ext
2	KT-55603185	2 pcs	Hose clamp	Ø18.5/15.3
3	KT-240210	LM	Fuel hose	10x3.5 mm, L=1000 mm
4	TE-700183	1 pc	Suction pipe fuel	
5	TE-700147-1	1 pc	Ferrule coupling	
6	KT-70110404	1 pc	Adapter	R 1/4"-1/4" I-I
7	KT-56010104	1 pc	Rubber steel washer	R 1/4"
8	TE-703623	1 pc	Fuel hose	L=1450 mm, complete
	KT-765038	2 pcs	Fuel nipple	90°, in. Included in TE-703623
	KT-185102	2 pcs	Hose clamp	11-17 mm. Included in TE-703623
9	KT-58301608	1 pc	Hose coupling	M16x1.5
10	KT-240502	LM	Fuel hose	8.0x3.0 mm
11	KT-791105	1 pc	Fuel level sensor	
	KT-791119	1 pc	Connector plug	
12	09-265731	5 pcs	Flange screw	M6SF 5x10 8.8 FZB
13	09-267257	4 pcs	Flange screw	M6SF 6X16 8.8 FZB
14	KT-56010206	4 pcs	Rubber steel washer	M6
15	TE-702176	1 pc	Fuel connection	
16	KT-702283	1 pc	Gasket	Fuel connection
17	TE-703662	1 pc	Hatch	
18	KT-702280	1 pc	Gasket fuel tank	Use Loctite 3020
19	09-266793	16 pcs	Flange screw	M6SF 8x16 8.8 FZB
20	KT-240036	1 pc	Fuel pump Eberspächer	
*	KT-240036-1		Mounting elements	Eberspächer fuel pump
21	09-266034	1 pc	Flange screw	M6SFT 6x20 8.8 FZB
22	KT-240210	LM	Fuel hose	10x3.5 mm, L=500 mm
23	KT-703138	1 pc	Weight fuel tank	Replaces KT-58600606 and KT-791278
24	KT-50740606	1 pc	Hose coupling	G3/8" ext. Use Loctite 542
25	TE-703661	1 pc	Fuel filler neck	
26	KT-791534	1 pc	Fuel filler cap	Lockable
27	KT-791536	1 pc	Tether cord fuel cap	
28	KT-185112	4 pcs	Hose clamp	Ø58-75 mm
29	KT-14350032	LM	Tanker hose	2"
30	KT-55603170	1 pc	Hose clamp	17/14.5
31	TE-702117	1 pc	Fuel tank	

Fuel system

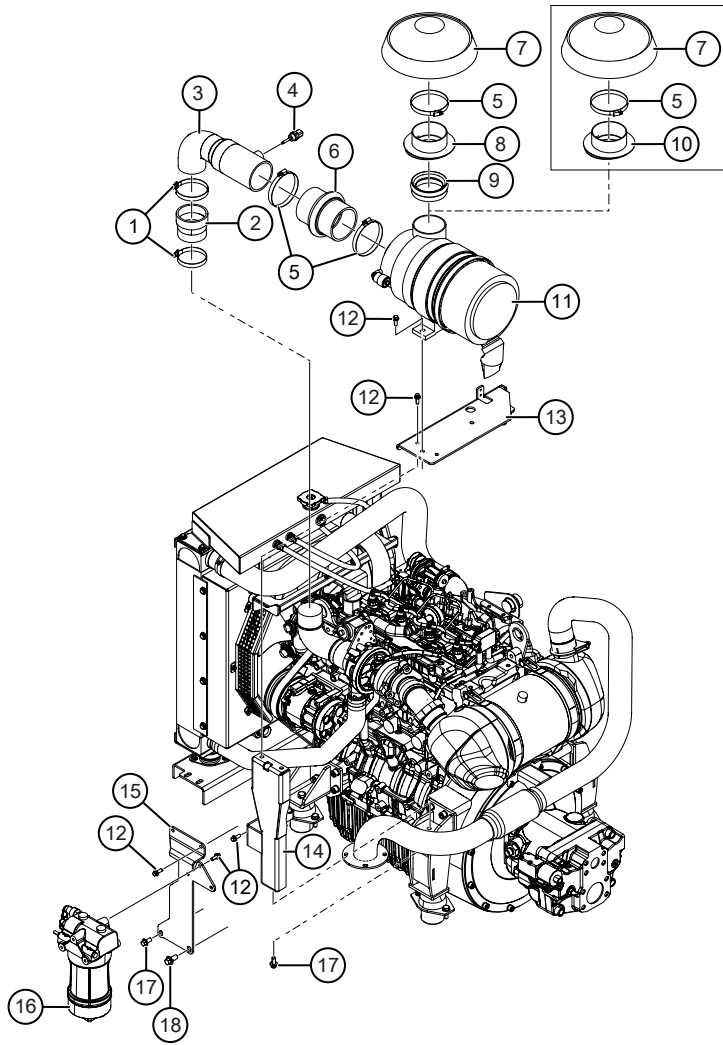


000624

Fuel system

Pos	Art.	Qty.	Description	Remarks
32	TE-702697	2 pcs	Spacer	T=12 mm
33	KT-185104	2 pcs	Hose clamp	Ø15-24 mm
34	KT-791537	1 pc	Breather filter	

Air and fuel filter

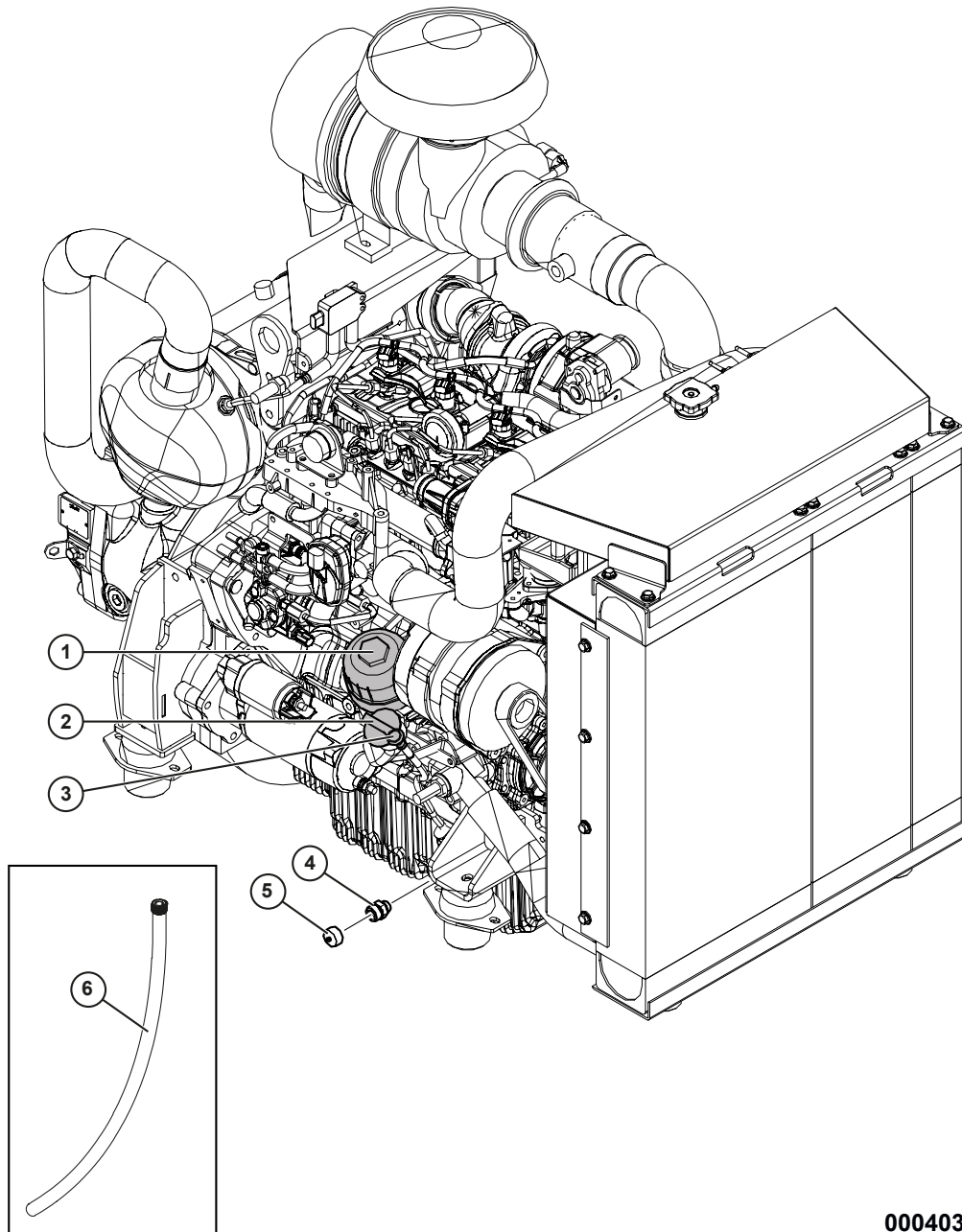


000360

Air and fuel filter

Pos	Art.	Qty.	Description	Remarks
1	KT-185114	2 pcs	ABA clamp 77-95 mm	
2	KT-765009	1 pc	Hose	
3	KT-765008	1 pc	Pipe	
4	KT-765034	1 pc	Temperature sensor	
	KT-765034-1	1 pc	O-ring	
5	KT-185115	3 pcs	Hose clamp	87-112 mm
6	KT-765010	1 pc	Bellows	
7	KT-795024	1 pc	Rain cover	
8	TE-703492	1	Duct intake	From machine T23-033
9	KT-0539	LM	Sealing strip	L=300 mm
10	TE-702224	1 pc	Duct intake	Up to machine T23-032
11	KT-795023	1 pc	Air purifier	Complete
12	09-266036	10 pcs	Flange screw	M6SFT 8x20 8.8 FZB
13	TE-702227	1 pc	Bracket air filter	
14	TE-702187	1 pc	Rod	
15	TE-702190	1 pc	Bracket fuel filter	
16	KT-765046	1 pc	Fuel filter with water separator	Complete
17	K6077-001	2 pcs	Flange screw	M6SF 10X20 8.8 FZB
18	09-266040	1 pc	Flange screw	M6SF 12x25 8.8 FXB

Oil filter and drain



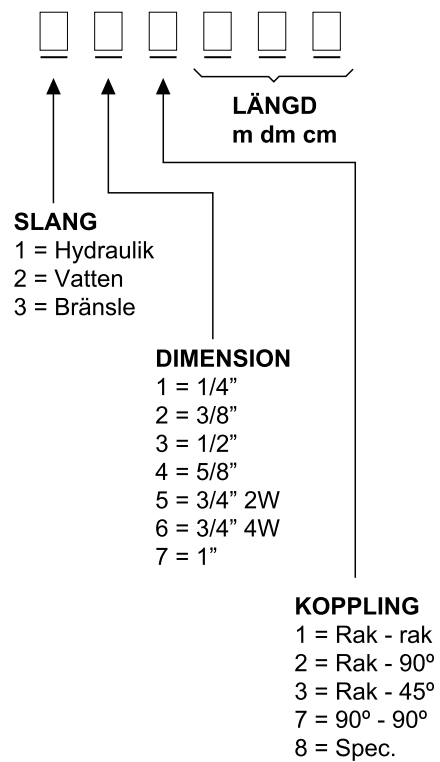
000403

Oil filter and drain

Pos	Art.	Qty.	Description	Remarks
1	KT-765035	1 pc	Engine oil filter	
-	KT-765036	1 pc	Lid	
-	KT-765036-1	1 pc	O-ring	
2	KT-765049	1 pc	Oil filler cap	
3	KT-765047	1 pc	Oil level gauge	
4	KT-765039	1 pc	Adapter	
	KT-765039-1	1 pc	Gasket	
5	KT-59950112	1 pc	Environmental oil plug	3/4"-16 UNF
6	KT-59960126	1 pc	Drain hose	

4 HYDRAULIC SYSTEM

Hose identification

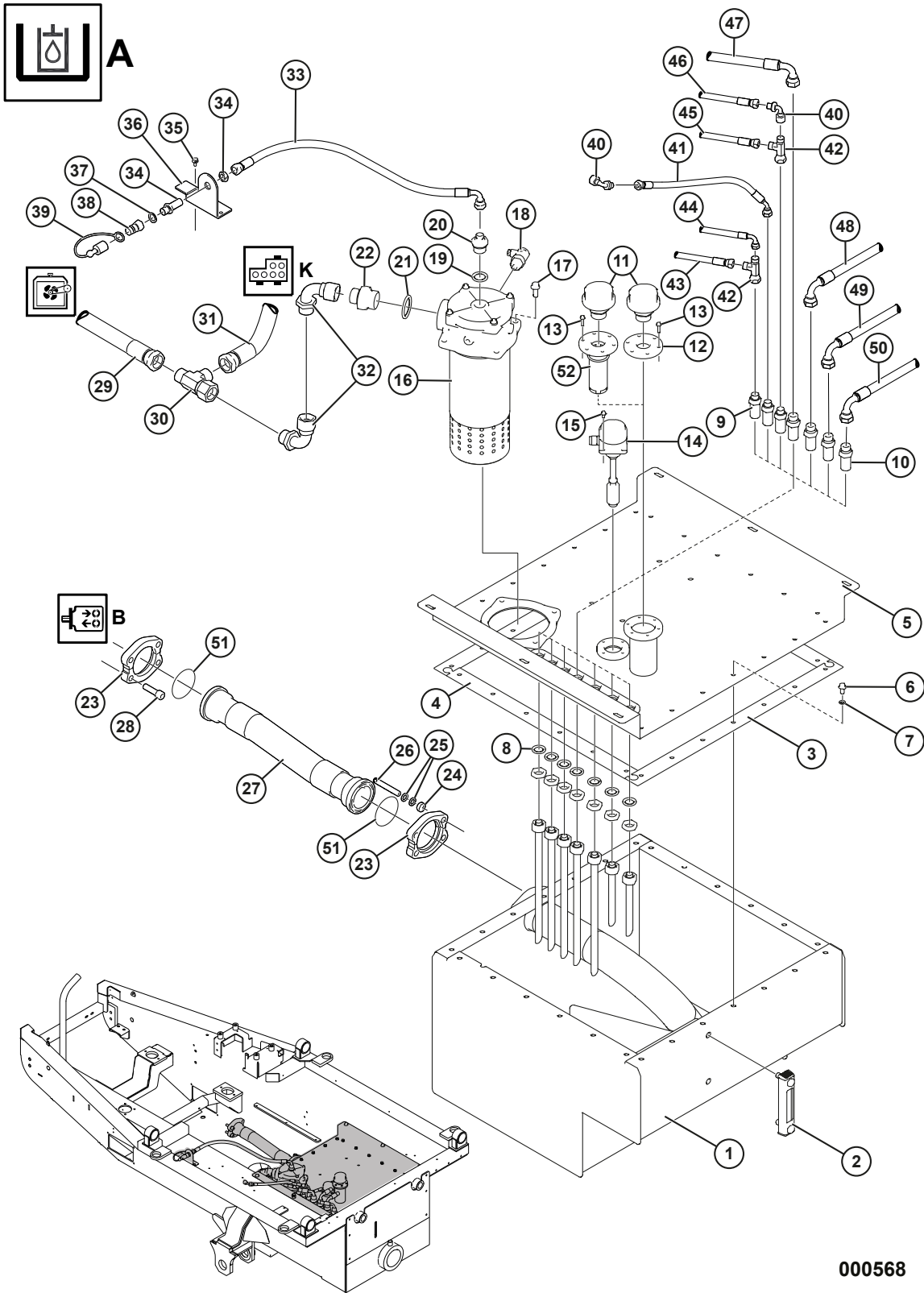


000111

Hose identification

Pos	Art.	Qty.	Description	Remarks
				Use the diagram above to identify the combination of hoses.

Hydraulic tank (A)

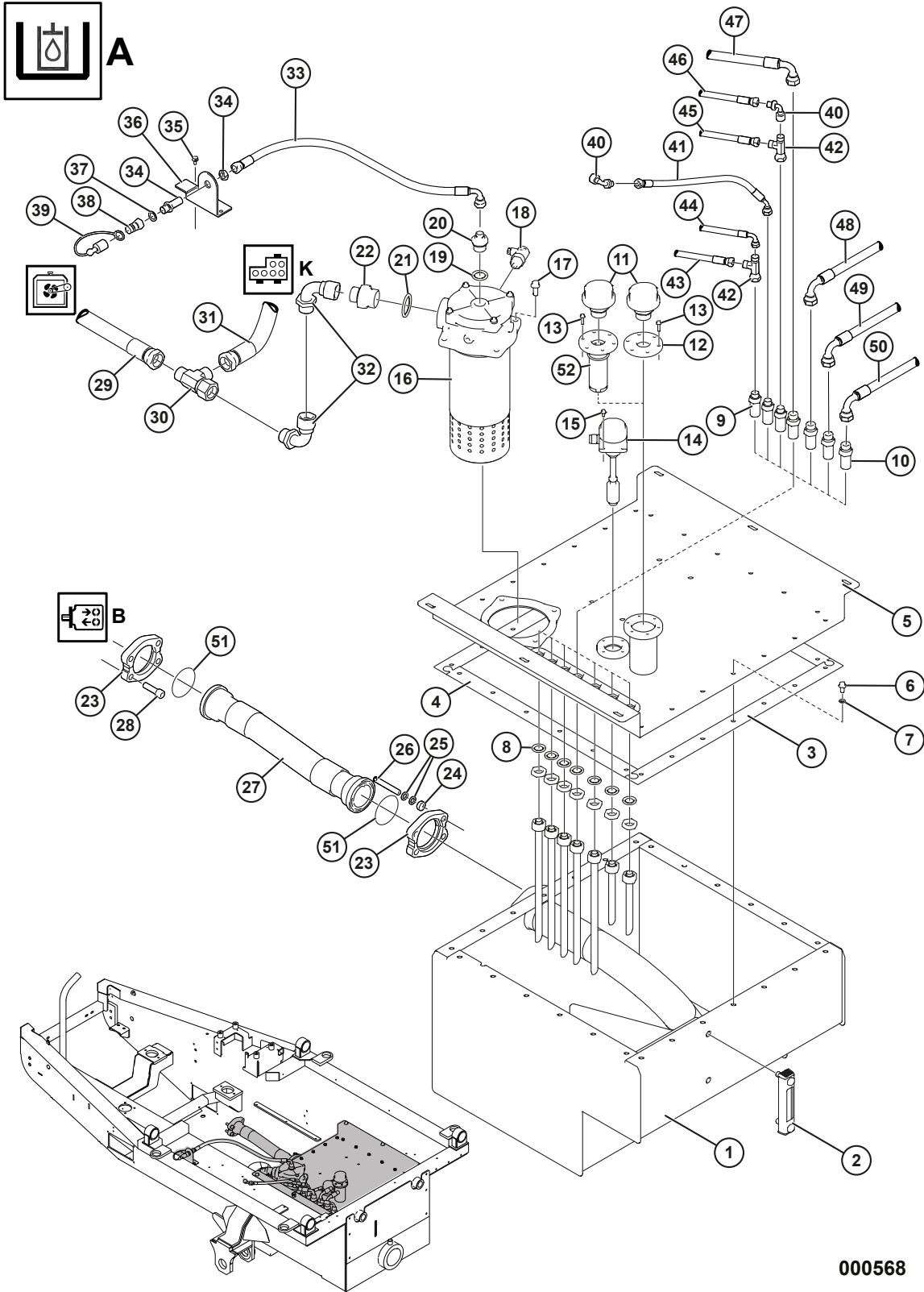


000568

Hydraulic tank (A)

Pos	Art.	Qty.	Description	Remarks
1	TE-702154	1 pc	Hydraulic tank	Up to machine no. T23-019
2	KT-890118	1 pc	Sight glass	
3	KT-702281	2 pcs	Gasket	Tank short side. Use Loctite 3020
4	KT-702282	2 pcs	Gasket	Tank long side. Use Loctite 3020
5	TE-702819	1 pc	Lid	
6	09-266793	26 pcs	Flange screw	M6SF 8x16 8.8 FZB
7	KT-56010208	26 pcs	Rubber steel washer	M8
8	KT-56010222	7 pcs	Rubber steel washer	M22
9	KT-60990073	3 pcs	Bulkhead connector	3/8"-15 L
	KT-61500015	3 pcs	Nut cutting ring	M 15 L
10	KT-60990044	4 pcs	Bulkhead connector	1/2"-15 L
	KT-61500015	4 pcs	Nut cutting ring	M 15 L
11	KT-791305	1 pc	Breather filter	
12	TE-702739	1 pc	Lid	
13	KT-267126	6 pcs	Flange screw	M6SF 5x20 8.8 FZB
14	KT-790976	1 pc	Level switch/temperature sensor	
15	09-265731	4 pcs	Flange screw	M6SF 5x10 8.8 FZB
16	KT-791143	1 pc	Return filter housing	
	KT-791143-2	1 pc	Gasket kit	Return filter housing
	KT-791143-1	1 pc	Lid	
	KT-791143-20	1 pc	O-ring	Lid
	KT-790919	1 pc	Filter insert	
17	09-267440	4 pcs	Flange screw	M6SF 10x25 8.8 FZB
18	KT-790553	1 pc	Indicator	1.2 bar
19	KT-56010112	1 pc	Rubber steel washer	3/8"
20	KT-70020612	1 pc	Rubber steel washer	3/4"
21	KT-56010120	1 pc	Rubber steel washer	1 1/4"
22	KT-70021620	1 pc	Adapter	1"UF-1 1/4"UF
23	KT-55400040	4 pcs	Flange half	SAE 3000 2 1/2"
24	K6131-02	4 pcs	Nut	M6M M12 FZB
25	K6163-000	8 pcs	Nordlock washer	M12
26	KT-267140	4 pcs	Stop screw	P6SS M12x80 45H
27	KT-791185	1 pc	Suction hose	
28	K6080-20	4 pcs	Hex screw	UC6S 1/2"x45" 8.8 FZB
29	TS-172235	1 pc	Hydraulic hose 1 L=2350 mm	1" L=2350 Straight-90°. For cooler
30	KT-74041616	1 pc	T-adapter	1"IR-1"UF-1"UF

Hydraulic tank (A)

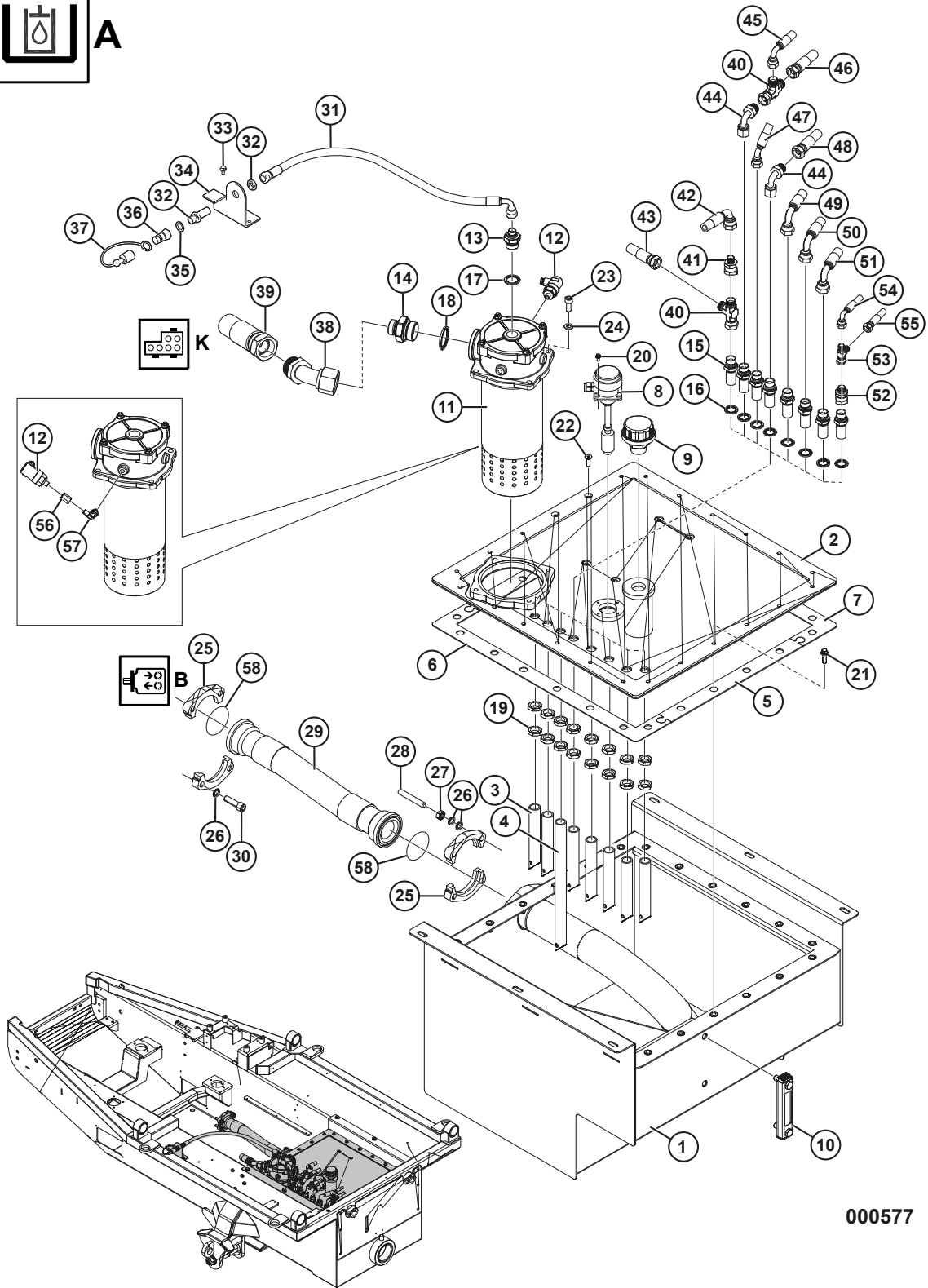


000568

Hydraulic tank (A)

Pos	Art.	Qty.	Description	Remarks
31	TS-158043	1 pc	Hydraulic hose	3/4" L=430 spec. For thermal bypass valve
32	KT-72051616	2 pcs	Angle adapter	1"UF-1"IR 90°
33	TS-122060	1 pc	Hydraulic hose	3/8 L=600 Straight-90°. Filling
34	KT-70900606	1 pc	Bulkhead connector	3/8"UF-3/8"UF
35	09-267446	3 pcs	Flange screw	M6SF 6x12 8.8 FZB
36	TE-702706	1 pc	Bracket	Relocated oil filler
37	KT-56010106	1 pc	Rubber steel washer	3/8"
38	KT-55500206	1 pc	Quick-release coupling	3/8" male
39	KT-55510406	1 pc	Dust guard	3/8"
40	KT-72050404	2 pcs	Angle adapter	1/4"UF-1/4"IR 90°
41	TS-123028	1 pc	Hydraulic hose	3/8" L=280 Straight-45°
42	KT-74040606	2 pcs	T-adapter	3/8"IR-3/8"UF-3/8"UF
43	TS-122049	1 pc	Hydraulic hose	3/8" L=490 Straight-90°
44	TS-118150	1 pc	Hydraulic hose	1/4" L=1500 spec.
45	TS-123058	1 pc	Hydraulic hose	3/8" L=580 Straight-45°
46	TS-128128	1 pc	Hydraulic hose	3/8" L=1280 spec.
47	TS-132050	1 pc	Hydraulic hose	1/2" L=500 Straight-90°
48	TS-132029	1 pc	Hydraulic hose	1/2" L=290 Straight-90°
49	TS-132056	1 pc	Hydraulic hose	1/2" L=560 Straight-90°
50	TS-122050	1 pc	Hydraulic hose	3/8" L=400 Straight-90°
51	KT-56100240	2 pcs	O-ring	ID 69.44 x T 21/3.53
52	TE-703150	1 pc	Oil trap hydraulic tank	Option

Hydraulic tank (A)

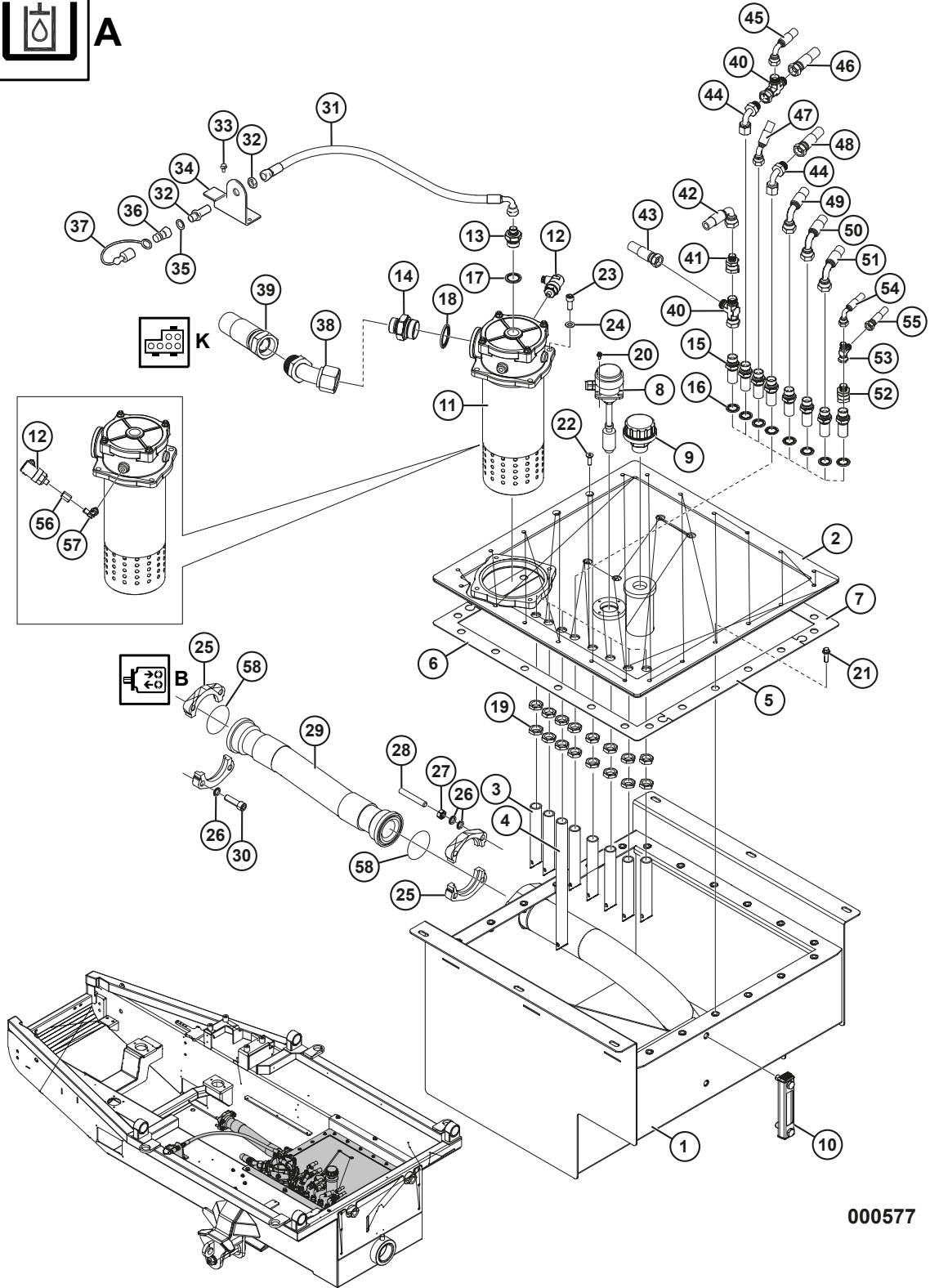


000577

Hydraulic tank (A)

Pos	Art.	Qty.	Description	Remarks
1	TE-702987	1 pc	Hydraulic tank	From machine no. T23-020
2	TE-703011	1 pc	Lid	
3	TE-703195	7 pcs	Return pipe	Short
4	TE-703196	1 pc	Return pipe	Long. Seal with thread seal tape.
5	KT-703457	2 pcs	Gasket	Front/rear. Use Loctite 3020
6	KT-703458	1 pc	Gasket	Left. Use Loctite 3020
7	KT-703459	1 pc	Gasket	Right. Use Loctite 3020
8	KT-790976	1 pc	Level switch/temperature sensor	
9	KT-791305	1 pc	Breather filter	
10	KT-890118	1 pc	Sight glass	
11	KT-791143	1 pc	Return filter housing	
	KT-791143-2	1 pc	Gasket kit	Return filter housing
	KT-791143-1	1 pc	Lid	
	KT-791143-20	1 pc	O-ring	Lid
	KT-790919	1 pc	Filter insert	
12	KT-790553	1 pc	Pressure sensor	1.2 bar
13	KT-70020612	1 pc	Adapter	3/8"UF-3/4"UF
14	KT-70021620	1 pc	Adapter	1"UF-1 1/4"UF
15	KT-70900808	8 pcs	Bulkhead connector	1/2"UF-1/2"UF
16	KT-56010108	8 pcs	Rubber steel washer	1/2"
17	KT-56010112	1 pc	Rubber steel washer	3/4"
18	KT-56010120	1 pc	Rubber steel washer	1 1/4"
19	KT-70900008	8 pcs	Lock nut	1/2"
20	09-265731	4 pcs	Flange screw	M6SF 5x10 8.8 FZB
21	09-265604	22 pcs	Flange screw	M6SF 8x25 8.8 FZB
22	K6085-0016	2 pcs	Countersunk screw	MF6S 8x25 10.9 FZB
23	K6067-26	4 pcs	Hex screw	MC6S 10x25 8.8 FZB
24	K6152	4 pcs	Flat washer	BRB M10 FZB
25	KT-55400040	4 pcs	Flange half	SAE 3000 2 1/2"
26	K6163-000	12 pcs	Nordlock washer	M12
27	K6131-02	4 pcs	Nut	M6M M12 FZB
28	KT-267140	4 pcs	Stop screw	P6SS M12x80 45H
29	KT-791185	1 pc	Suction hose	
30	K6080-20	4 pcs	Hex screw	UC6S 1/2"x45 8.8 FZB
31	TS-122060	1 pc	Hydraulic hose	3/8 L=600 Straight-90°. Filling
32	KT-70900606	1 pc	Bulkhead connector	3/8"UF-3/8"UF

Hydraulic tank (A)

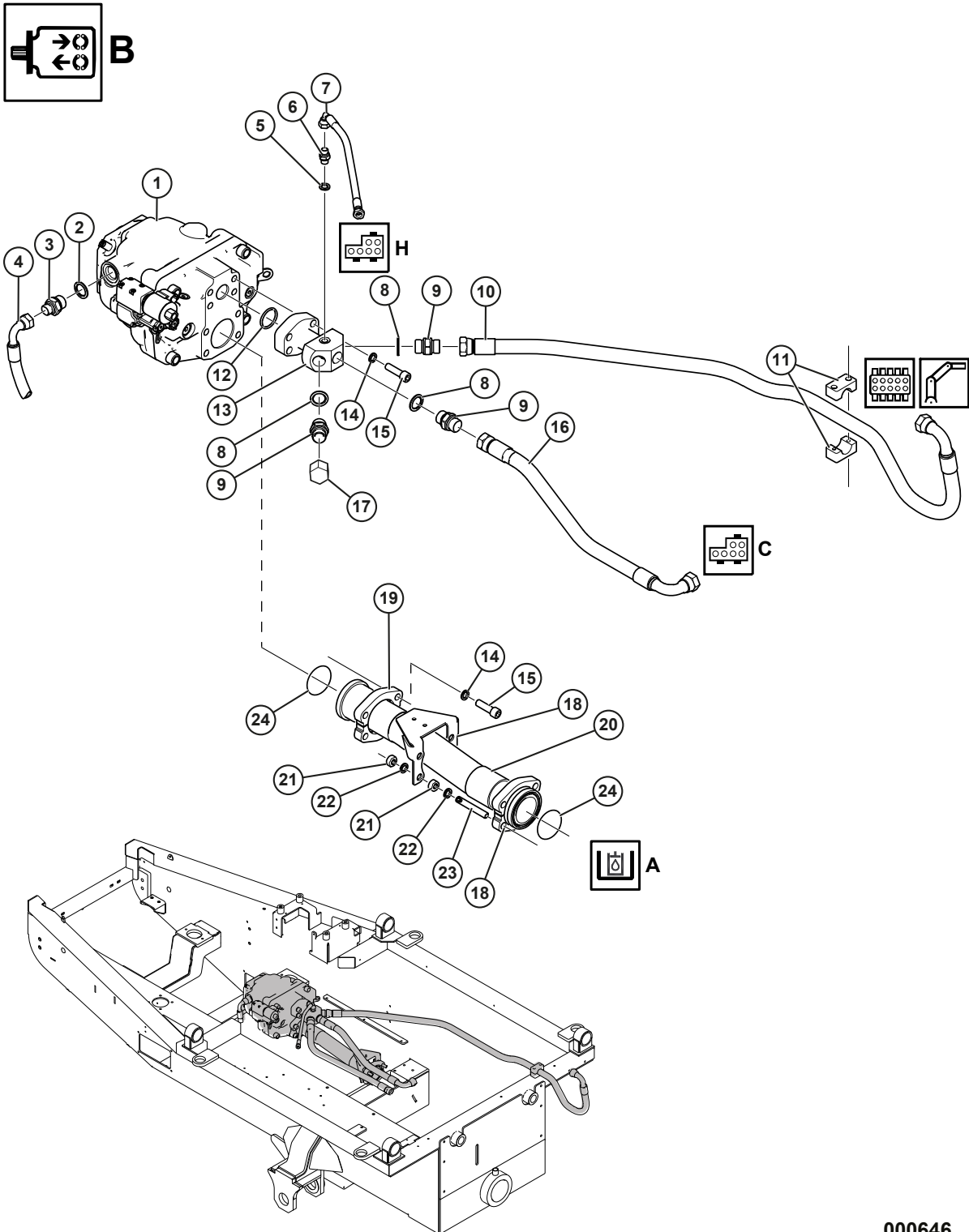


000577

Hydraulic tank (A)

Pos	Art.	Qty.	Description	Remarks
33	09-267446	3 pcs	Flange screw	M6SF 6x12 8.8 FZB
34	TE-702706	1 pc	Bracket	Relocated oil filler
35	KT-56010106	1 pc	Rubber steel washer	3/8"
36	KT-55500206	1 pc	Quick-release coupling	3/8" male
37	KT-55510406	1 pc	Dust guard	3/8"
38	KT-73051616	1 pc	Angle adapter	1"UF-1"IR 45°
39	TS-172070	1 pc	Hydraulic hose	1" L=700 Straight-90°
40	KT-74040808	2 pcs	T-adapter	1/2"IR-1/2"UF 1/2"UF-
41	KT-70080608	1 pc	Adapter	1/2"IR-3/8"UF
42	TS-118115	1 pc	Hydraulic hose	1/4" L=1150 spec.
43	TS-132049	1 pc	Hydraulic hose	1/2" L=490 Straight-90°
44	KT-72050808	2 pcs	Angle adapter	1/2" 90°
45	TS-128600	1 pc	Hydraulic hose	3/8" L=6000 spec.
46	TS-132140	1 pc	Hydraulic hose	1/2" L=1400 Straight-90°
47	TS-123028	1 pc	Hydraulic hose	3/8" L=280 Straight-45°
48	TS-133060-2	1 pc	Hydraulic hose	1/2" L=600 Straight-45°
49	TS-132040	1 pc	Hydraulic hose	1/2" L=400 Straight-90°
50	TS-132066	1 pc	Hydraulic hose	1/2" L=660 Straight-90°
51	TS-128050-2	1 pc	Hydraulic hose	1/2" Spec.
52	KT-70080408	1 pc	Adapter	1/4"UF-1/2"IR
53	KT-740404041	1 pc	T-adapter	1/4"IR-1/4"UF-1/4"UF
54	TS-112100	1 pc	Hydraulic hose	1/4" L=1000 Straight-90°
55	TS-112030	1 pc	Hydraulic hose	1/4" L=300 Straight-90°
56	KT-70110202	1 pc	Adapter	1/8"IF-1/8"IF - Seal with Loctite 542. From machine T24-002.
57	KT-72040202	1 pc	Adjustable angle adapter	1/8"UF-1/8"UF STB. From machine T24-002.
58	KT-56100240	2 pcs	O-ring	ID 69.44 x T 21/3.53

Hydraulic pump (B)

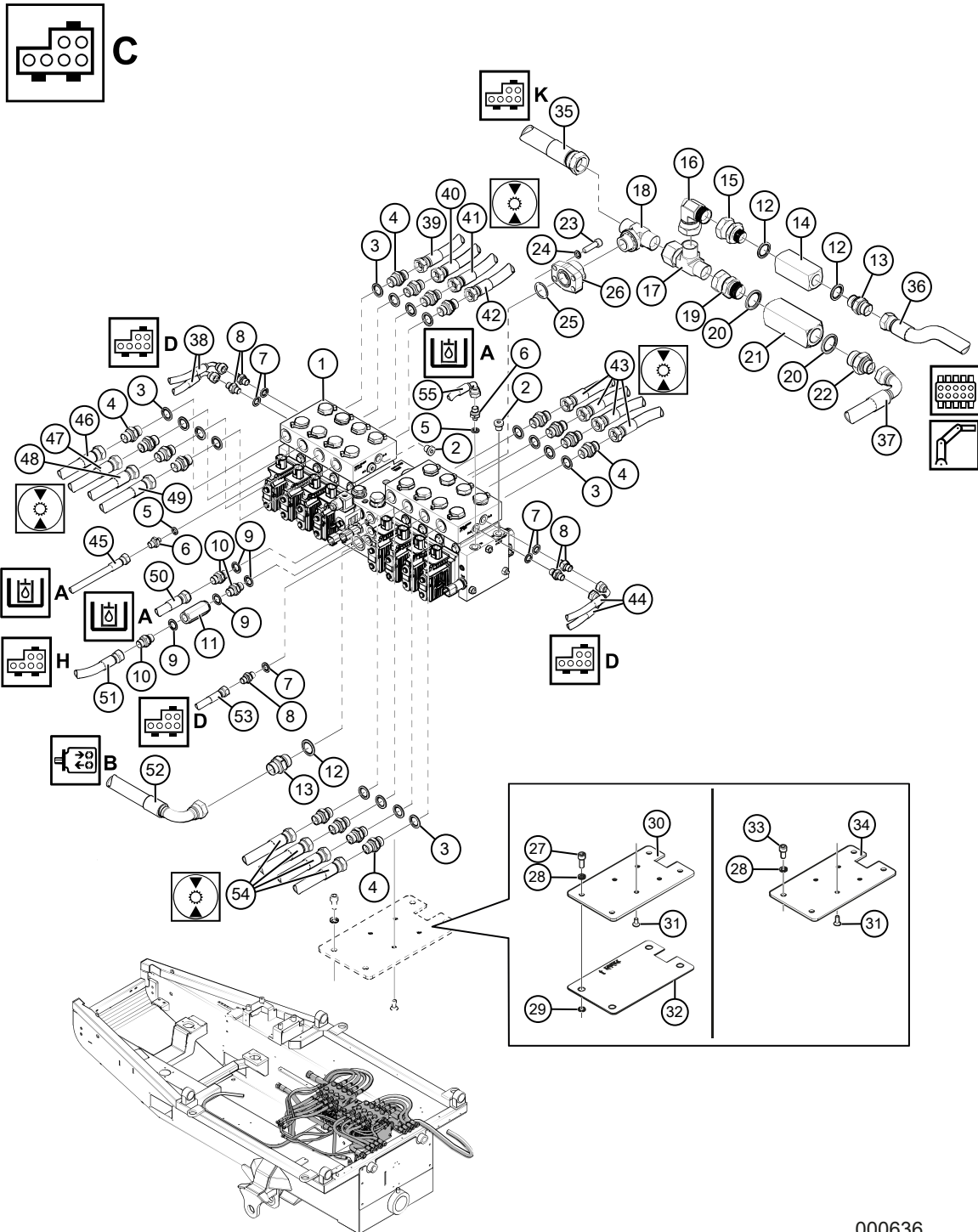


000646

Hydraulic pump (B)

Pos	Art.	Qty.	Description	Remarks
1	KT-791320	1 pc	Pump drive	130cc 24V
-	KT-791320-1		Displacement screw	
2	KT-56010112	1 pc	Rubber steel washer	3/4"
3	KT-70020812	1 pc	Adapter	1/2"U-3/4"UF
4	TS-128128	1 pc	Hydraulic hose	3/8" L=1280 Straight-90°
5	KT-56010104	1 pc	Rubber steel washer	1/4"
6	KT-70020404	1 pc	Adapter	1/4"UF-1/4"UF
7	TS-122028	1 pc	Hydraulic hose	3/8 L=280 Straight-90°
8	KT-56010112	3 pcs	Rubber steel washer	3/4"
9	KT-70021212	3 pcs	Adapter	3/4"UF-3/4"UF
10	TS-162180	1 pc	Hydraulic hose	3/4 L=1800 Straight-90°
11	KT-53900528	2 pcs	Clamp	Simple
12	KT-56100220	1 pc	O-ring	For SAE Flange 1 1/4"
13	KT-703134	1 pc	Distributor block	Replaces KT-701800
14	K6163-000	8 pcs	Nordlock washer	M12
15	K6080-20	8 pcs	Hex screw	U6CS 1/2"x45 8.8 FZB
16	TS-162051	1 pc	Hydraulic hose	3/4 L=510 Straight-90°
17	KT-75020012	1 pc	Plug	3/4" IR
18	KT-55400040	4 pcs	Flange half	SAE 3000 2 1/2"
19	TE-702737	1 pc	Mounting bracket distributor block	
20	KT-791185	1 pc	Suction hose	
21	K6131-02	8 pcs	Nut	M6M 12 FZB
22	K6163-000	8 pcs	Nordlock washer	M12
23	KT-267140	4 pcs	Stop screw	P6SS M12x80 45H
24	KT-56100240	2 pcs	O-ring	ID 69.44 x T 21/3.53

Drive valve (C)

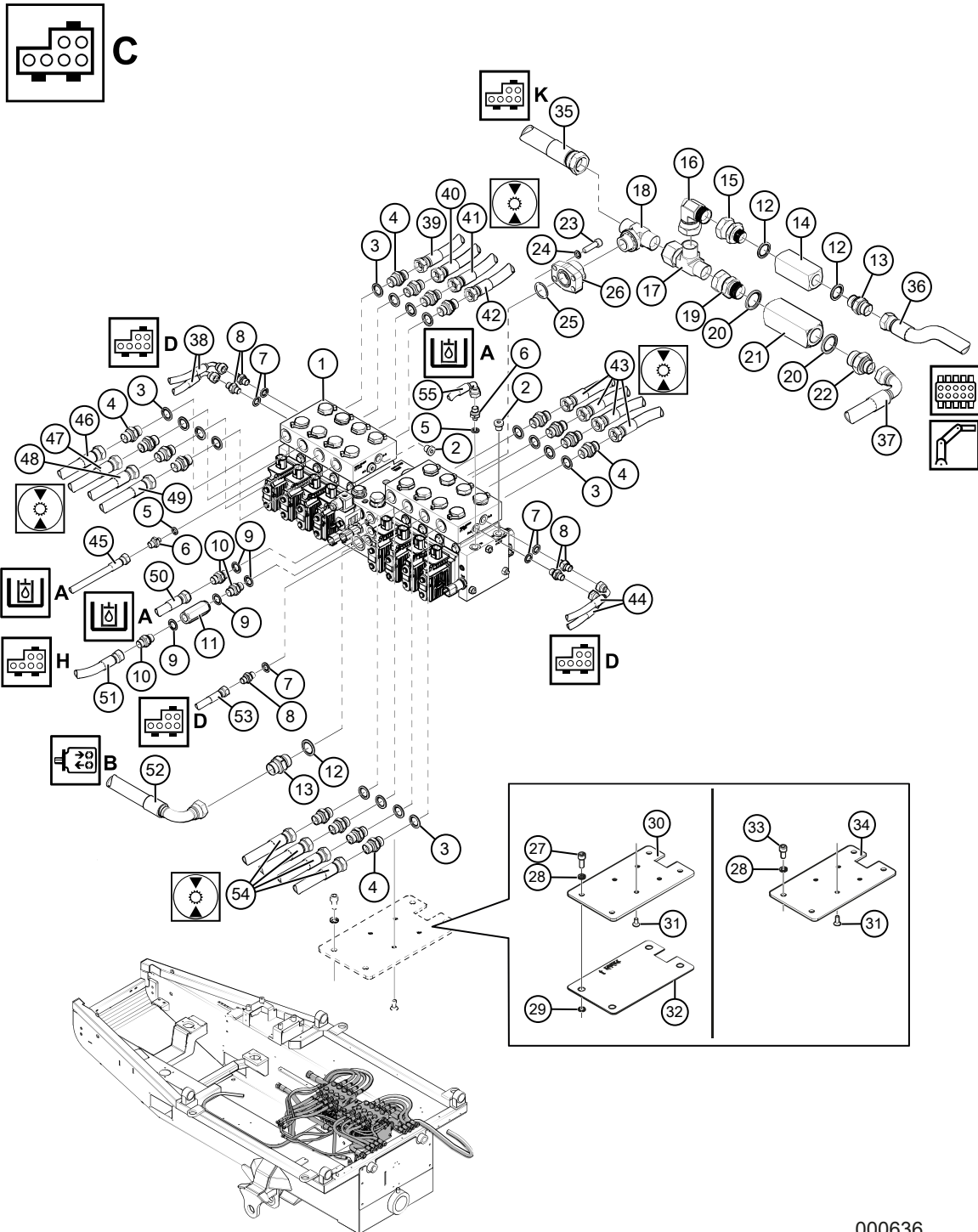


000636

Drive valve (C)

Pos	Art.	Qty.	Description	Remarks
1	KT-791219	1 pc	Drive valve	8WD. Up to machine T23-019. Not T23-016.
	KT-791625	1 pc	Solenoid valve	
	KT-791606	1 pc	Solenoid coil	24VDC
	KT-791453	16 pcs	Power module	Not CAN
1	KT-791433	1 pc	Drive valve	8WD CAN controlled. From Machine T23-020. Also T23-016.
	KT-791625	1 pc	Solenoid valve	
	KT-791606	1 pc	Solenoid coil	24VDC
	KT-240046	16 pcs	Power module	CAN
2	KT-75030004	5 pcs	Hexagonal plug	1/4"
3	KT-56010108	16 pcs	Rubber steel washer	1/2"
4	KT-70020808	16 pcs	Adapter	1/2"UF-1/2"UF
5	KT-56010102	2 pcs	Rubber steel washer	1/8"
6	KT-70020204	2 pcs	Adapter	1/8"UF-1/4"UF
7	KT-56010104	5 pcs	Rubber steel washer	1/4"
8	KT-70020404	5 pcs	Adapter	1/4"UF-1/4"UF
9	KT-56010106	4 pcs	Rubber steel washer	3/8"
10	KT-70020606	3 pcs	Adapter	3/8"UF-3/8"UF
11	KT-790653	1 pc	Non-return valve	3/8", 0.5 bar
12	KT-56010112	3 pcs	Rubber steel washer	3/4"
13	KT-70021212	2 pcs	Adapter	3/4"UF-3/4"UF
14	KT-790913	1 pc	Non-return valve	3/4", 4.5 bar
15	KT-70081216	1 pc	Adapter	3/4"UF-1"IR
16	KT-72031616	1 pc	Angle adapter	1"UF-1"IR 90°
17	KT-74041616	1 pc	T-adapter	1"IR-1"UF-1"UF
18	KT-74131616	1 pc	Adjustable T-adapter	1"UF-1"UF-1"UF STB
19	KT-70081616	1 pc	Adapter	1"UF-1"IR
20	KT-56010116	2 pcs	Rubber steel washer	1"
21	KT-790962	1 pc	Non-return valve	1", 0.35 bar
22	KT-70021216	1 pc	Adapter	3/4"UF-1"UF
23	K6067-20	4 pcs	Hex screw	MC6S 10x35 FZB
24	K6163-003	4 pcs	Locking washer	Nordlock M10
25	KT-56100216	1 pc	O-ring	For SAE flange 1"
26	KT-55410016	1 pc	Threaded flange	1" SAE
27	K6067-26	4 pcs	Hex screw	MC6S 10x25 8.8 FZB
28	K6163-003	4 pcs	Locking washer	Nordlock M10
29	KT-791388	4 pcs	O-ring	11.0x2.5

Drive valve (C)

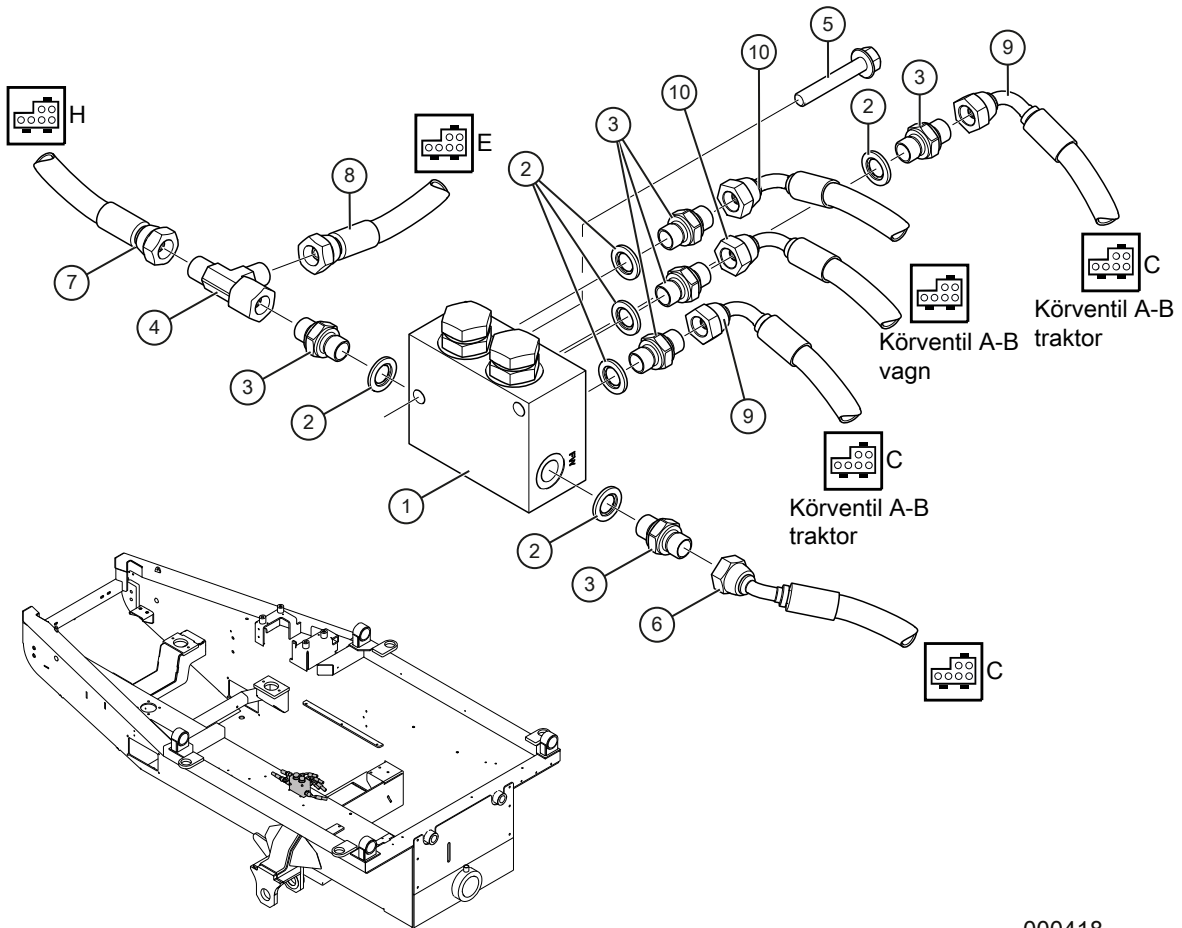
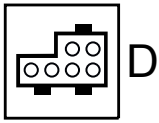


000636

Drive valve (C)

Pos	Art.	Qty.	Description	Remarks
30	TE-702165	1 pc	Mounting plate drive valve	For hydraulic tank TE-702154. Up to machine no. T23-019.
31	K6085-062	4 pcs	Countersunk screw	MF6S 8x16 10.9 FZB
32	TE-703145	1 pc	Plate	For hydraulic tank TE-702154. Up to machine no. T23-019.
33	K6067-18	4 pcs	Hex screw	MC6S 10x20 FZB
34	TE-703160	1 pc	Mounting plate drive valve	For hydraulic tank TE-702987. From machine no. T23-020.
35	TS-171045	1 pc	Hydraulic hose	1" L=450 Straight-Straight
36	TS-151095	1 pc	Hydraulic hose	3/4" L=950 Straight-Straight
37	TS-152065	1 pc	Hydraulic hose	3/4" L=650 Straight-90°
38	TS-112060	2 pcs	Hydraulic hose	1/4" L=600 Straight-90°
39	TS-132250	1 pc	Hydraulic hose	1/2" L=2500 Straight-90°
40	TS-132220	1 pc	Hydraulic hose	1/2" L=2200 Straight-90°
41	TS-132210	1 pc	Hydraulic hose	1/2" L=2100 Straight-90°
42	TS-132205	1 pc	Hydraulic hose	1/2" L=2050 Straight-90°
43	TS-131045-2	4 pcs	Hydraulic hose	1/2" L=450 Straight-Straight
44	TS-112100	2 pcs	Hydraulic hose	1/4" L=1000 Straight-90°
45	TS-112100	1 pc	Hydraulic hose	1/4" L=1000 Straight-90°
46	TS-132185	1 pc	Hydraulic hose	1/2" L=1850 Straight-90°
47	TS-132155	1 pc	Hydraulic hose	1/2" L=1550 Straight-90°
48	TS-132220	1 pc	Hydraulic hose	1/2" L=2200 Straight-90°
49	TS-132220	1 pc	Hydraulic hose	1/2" L=2200 Straight-90°
50	TS-122050	1 pc	Hydraulic hose	3/8" L=400 Straight-90°
51	TS-122157	1 pc	Hydraulic hose	3/8" L=1570 Straight-90°
52	TS-162051	1 pc	Hydraulic hose	3/4" L=510 Straight-90°
53	TS-113045	1 pc	Hydraulic hose	1/4" L=450 Straight-45°
54	TS-131050-2	4 pcs	Hydraulic hose	1/2" L=500 Straight-Straight
55	TS-112030	1 pc	Hydraulic hose	1/4" L=300 Straight-90°

Block valve drain (D)

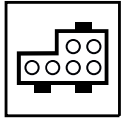


000418

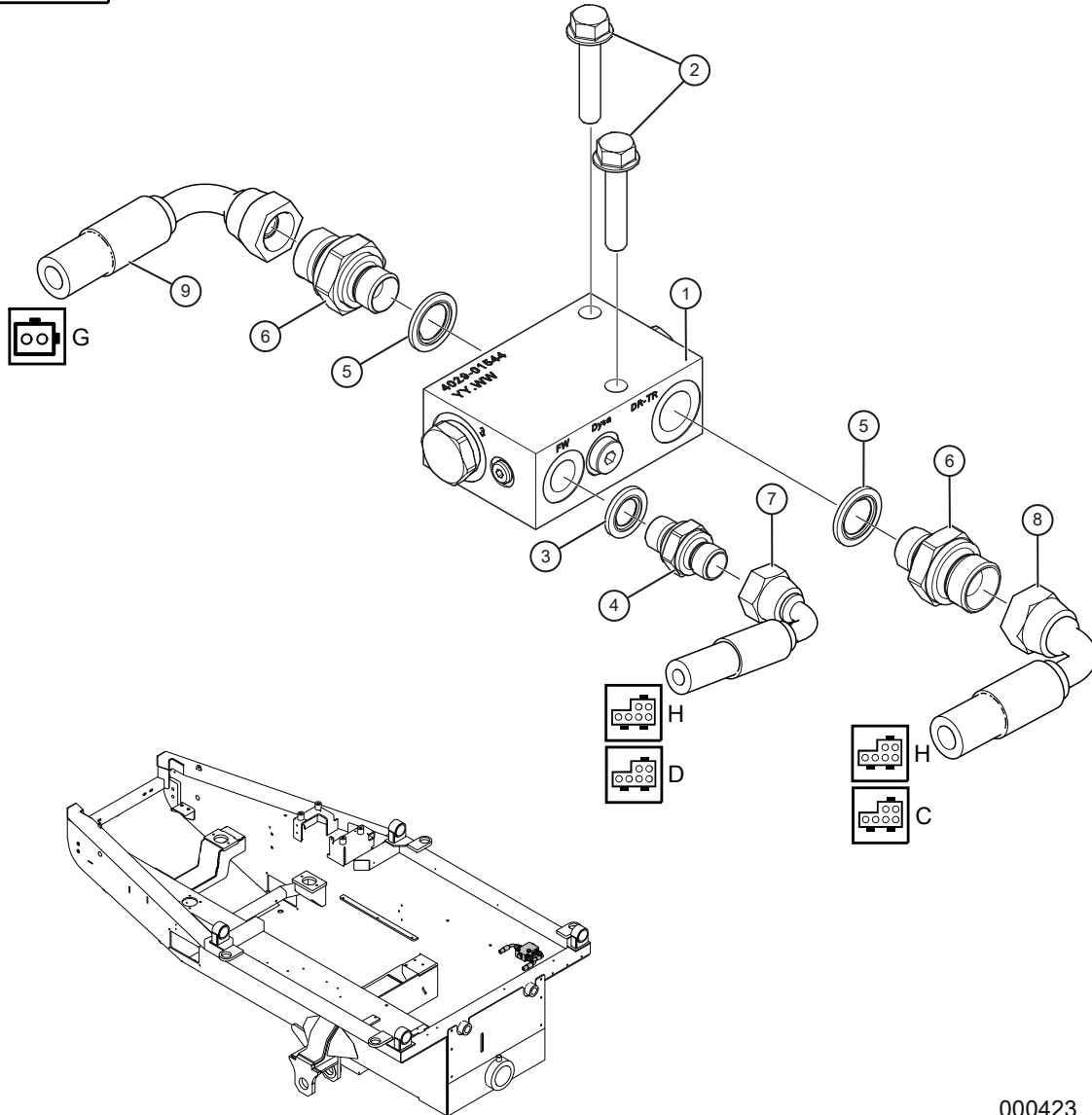
Block valve drain (D)

Pos	Art.	Qty.	Description	Remarks
1	KT-791210	1 pc	Block valve drain	
2	KT-56010104	6 pcs	Rubber steel washer	1/4"
3	KT-70020404	6 pcs	Adapter	1/4"UF-1/4"UF
4	KT-740404041	1 pc	T-adapter	1/4"IR"/UF"/UF
5	09-266194	2 pcs	Flange screw	M6SF 8x50 8.8 FZB
6	TS-113045	1 pc	Hydraulic hose	1/4 L=450 mm Straight-45°
7	TS-112100	1 pc	Hydraulic hose	1/4 L=1000 mm Straight-90°
8	TS-112152	1 pc	Hydraulic hose	1/4 L=1520 mm Straight-90°. Counter pressure block drain *V1*, for Poclain
9	TS-112060	2 pcs	Hydraulic hose	1/4 L=600 mm Straight-90°
10	TS-112100	2 pcs	Hydraulic hose	1/4 L=1000 mm Straight-90°

Valve block drain trailer (E)



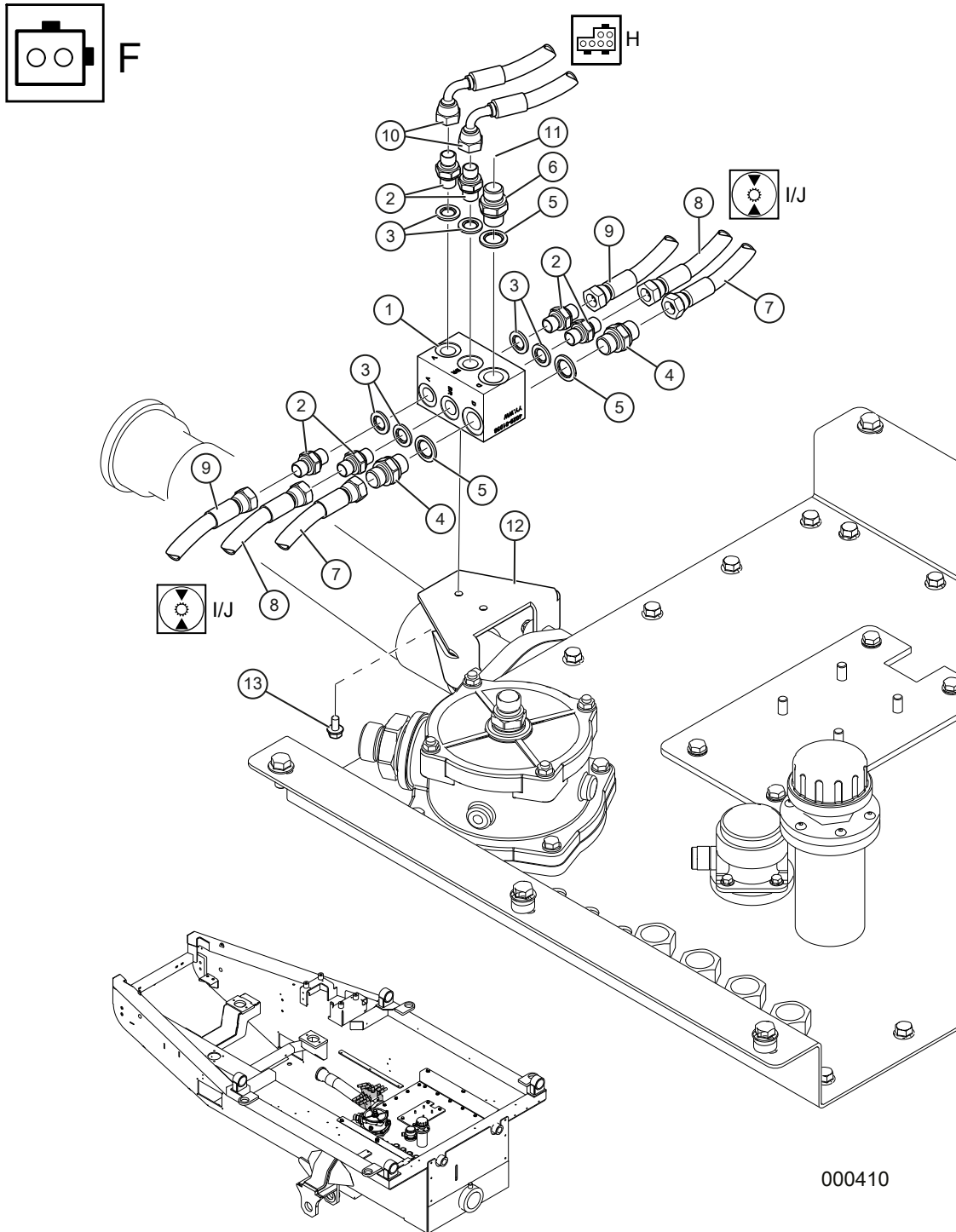
E



Valve block drain trailer (E)

Pos	Art.	Qty.	Description	Remarks
1	KT-791227	1 pc	Valve block drainage trailer	Complete
2	09-267330	2 pcs	Flange screw	M6SFT 8x40 8.8 FZB
3	KT-56010104	1 pc	Rubber steel washer	1/4"
4	KT-70020404	1 pc	Adapter	1/4"UF-1/4"UF
5	KT-56010106	2 pcs	Rubber steel washer	3/8"
6	KT-70020608	2 pcs	Adapter	3/8"UF-1/2"UF
7	TS-112152	1 pc	Hydraulic hose	1/4" L=1520 mm Straight-90°
8	TS-132060-2	1 pc	Hydraulic hose	1/2" L=600 mm Straight-90°
9	TS-132066	1 pc	Hydraulic hose	1/2" L=660 mm Straight-90°

Distribution block front bogie (F)

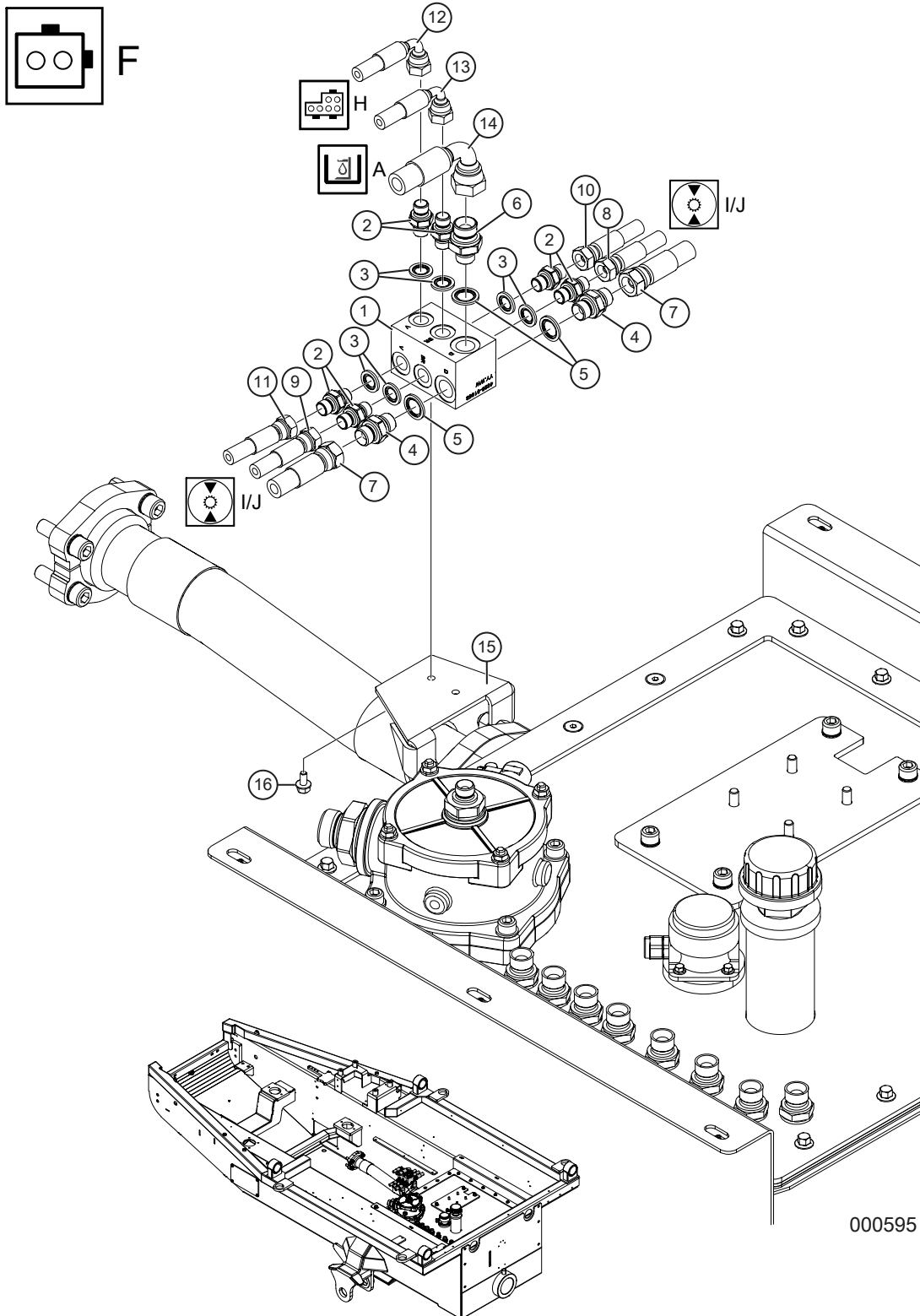


000410

Distribution block front bogie (F)

Pos	Art.	Qty.	Description	Remarks
1	KT-790600	1 pc	Valve block	
2	KT-70020404	6 pcs	Adapter	1/4"UF-1/4"UF
3	KT-56010104	6 pcs	Rubber steel washer	1/4"
4	KT-70020606	2 pcs	Adapter	3/8"UF-3/8"UF
5	KT-56010106	3 pcs	Rubber steel washer	3/8"
6	KT-70020608	1 pc	Adapter	3/8"UF-1/2"UF
7	TS-121150	2 pcs	Hydraulic hose	3/8 L=1500 mm Straight-Straight
8	TS-112150	2 pcs	Hydraulic hose	1/4 L=1500 mm Straight-90°. Brake.
9	TS-112160	2 pcs	Hydraulic hose	1/4 L=1600 mm Straight-90°. Gear
10	TS-112055	2 pcs	Hydraulic hose	1/4 L=550 mm Straight-90°
11	TS-132049	1 pc	Hydraulic hose	1/2" L=490 mm Straight-90°
12	TE-702737	1 pc	Mounting bracket distributor block	
13	09-267446	2 pcs	Flange screw	M6SF 6x12 8.8 FZB

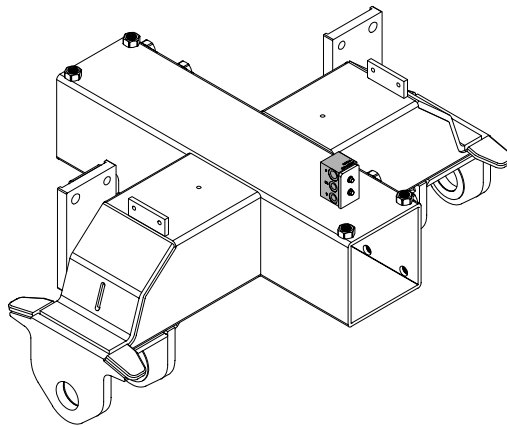
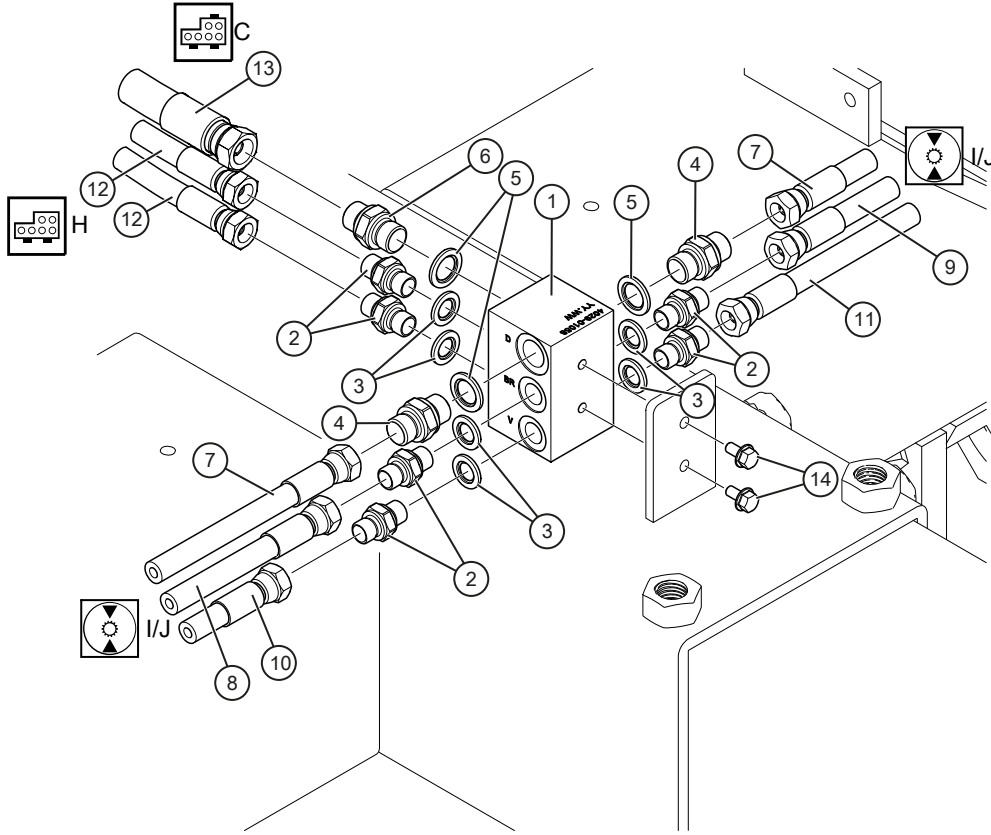
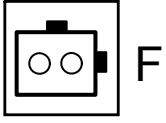
Distribution block front bogie (F)



Distribution block front bogie (F)

Pos	Art.	Qty.	Description	Remarks
1	KT-790600	1 pc	Valve block	
2	KT-70020404	6 pcs	Adapter	1/4"UF-1/4"UF
3	KT-56010104	6 pcs	Rubber steel washer	1/4"
4	KT-70020606	2 pcs	Adapter	3/8"UF-3/8"UF
5	KT-56010106	3 pcs	Rubber steel washer	3/8"
6	KT-70020608	1 pc	Adapter	3/8"UF-1/2"UF
7	TS-121165	2 pcs	Hydraulic hose	3/8 L=1650 mm Straight-Straight
8	TS-112130	1 pc	Hydraulic hose	1/4 L=1300 mm Straight-90°. Brake.
9	TS-112120	1 pc	Hydraulic hose	1/4" L=1200 mm Straight-90°. Brake.
10	TS-112205	1 pc	Hydraulic hose	1/4" L=2050 mm Straight-90°. Gear
11	TS-111212	1 pc	Hydraulic hose	1/4" L=2120 mm Straight-Straight. Gear
12	TS-112055	1 pc	Hydraulic hose	1/4 L=550 mm Straight-90°
13	TS-112125-2	1 pc	Hydraulic hose	1/4" L=1250 mm Straight-90°
14	TS-132049	1 pc	Hydraulic hose	1/2" L=490 mm Straight-90°
15	TE-702737	1 pc	Mounting bracket distributor block	
16	09-267446	2 pcs	Flange screw	M6SF 6x12 8.8 FZB

Distributor block rear bogie (G)

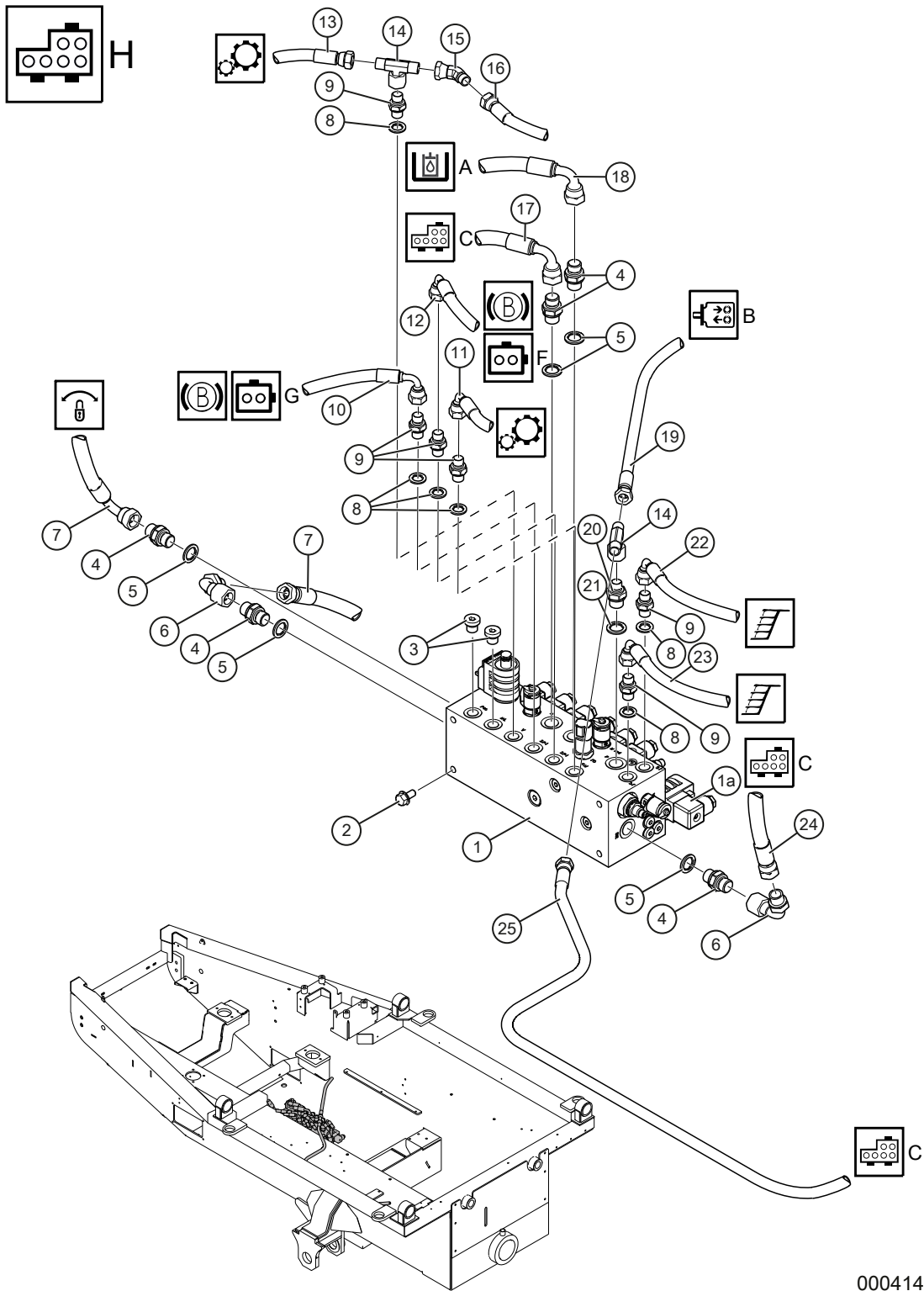


000596

Distributor block rear bogie (G)

Pos	Art.	Qty.	Description	Remarks
1	KT-790600	1 pc	Valve block	
2	KT-70020404	6 pcs	Adapter	1/4"UF-1/4"UF
3	KT-56010104	6 pcs	Rubber steel washer	1/4"
4	KT-70020606	2 pcs	Adapter	3/8"UF-3/8"UF
5	KT-56010106	3 pcs	Rubber steel washer	3/8"
6	KT-70020608	1 pc	Adapter	3/8"UF-1/2"UF
7	TS-123121	2 pcs	Hydraulic hose	3/8" L=1300 Straight-Straight
8	TS-112095	1 pc	Hydraulic hose	1/4" L=950 Straight-90°. Brake
9	TS-112090	1 pc	Hydraulic hose	1/4" L=900 Straight-90°. Brake
10	TS-111170	1 pc	Hydraulic hose	1/4" L=1700 Straight-Straight. Gear
11	TS-112170	1 pc	Hydraulic hose	1/4" L=1700 Straight-90°. Gear
12	TS-111395	2 pcs	Hydraulic hose	1/4" L=3950 Straight-Straight
13	TS-131395	1 pc	Hydraulic hose	1/2" L=3950 Straight-Straight
14	09-267446	2 pcs	Flange screw	M6SF 6x12 8.8 FZB

Pilot block (H)

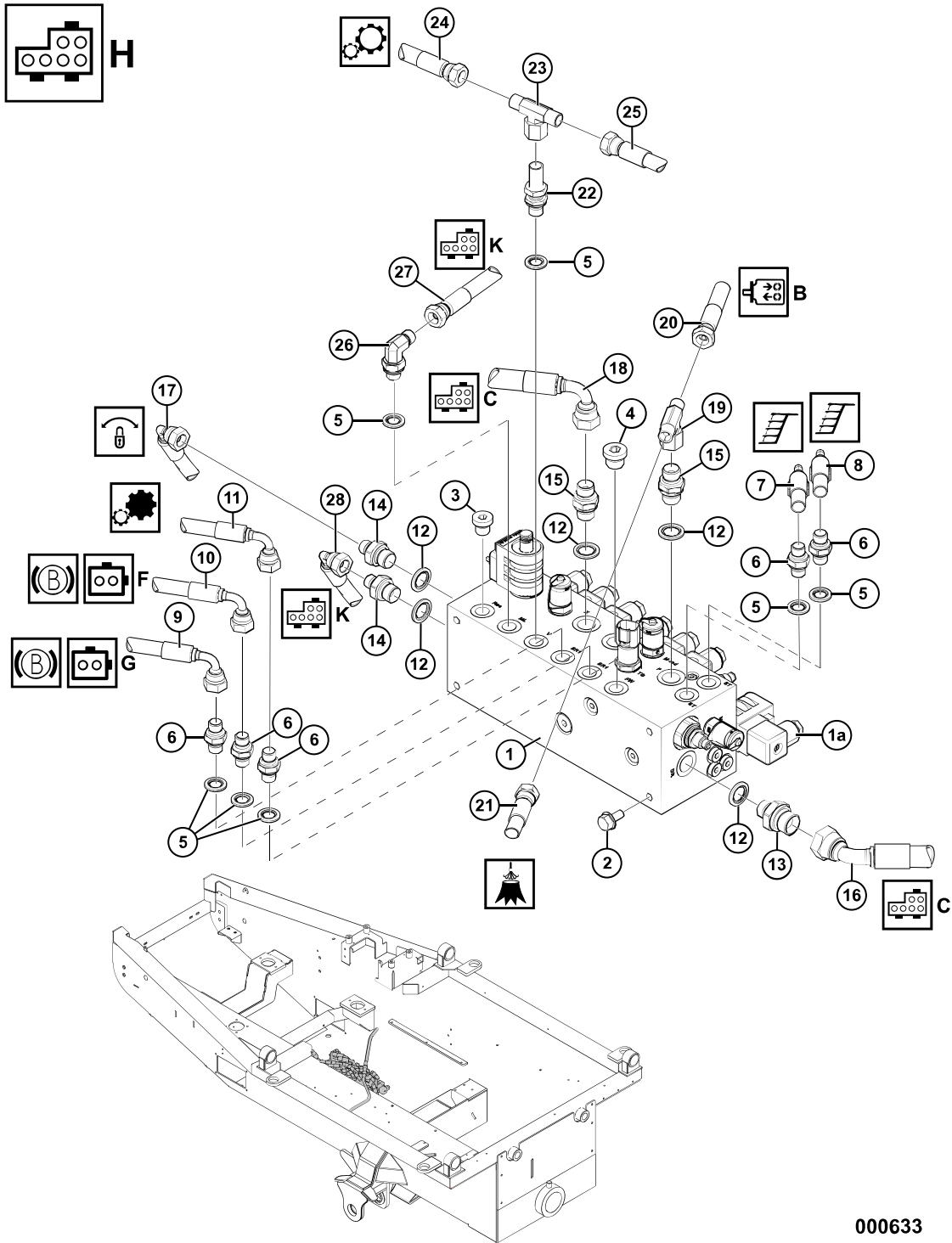


000414

Pilot block (H)

Pos	Art.	Qty.	Description	Remarks
1	KT-791214	1 pc	Pilot block	Complete
-1a	KT-791214-2		Electrically operated directional valve cartridge 4/2	
-	KT-790566-2		Solenoid	12VDC
-	KT-791214-3		Electric solenoid	24V
2	09-266793	4 pcs	Screw	M6S 8x16 8.8 FZB
3	KT-75030004	2 pcs	Hexagonal plug	1/4"
4	KT-70020606	5 pcs	Adapter	3/8"UF-3/8"UF
5	KT-56010106	5 pcs	Rubber steel washer	3/8"
6	KT-72050606	2 pcs	Angle adapter	3/8"UF-3/8"IR 90°
7	TS-112085	2 pcs	Hydraulic hose	1/4" L=850 mm Straight-90°
8	KT-56010104	6 pcs	Rubber steel washer	1/4"
9	KT-70020404	6 pcs	Adapter	1/4"UF-1/4"UF
10	TS-112220	1 pc	Hydraulic hose	1/4" L=2200 mm Straight-90°
11	TS-112152	1 pc	Hydraulic hose	1/4" L=1520 mm Straight-90°
12	TS-112055	1 pc	Hydraulic hose	1/4" L=550 mm Straight-90°
13	TS-112207	1 pc	Hydraulic hose	1/4" L=2070 mm Straight-90°
14	KT-74030404	2 pcs	T-adapter	1/4"UF/UF/IR
15	KT-73030404	1 pc	Angle adapter	1/4"UF-1/4"IR 45°
16	TS-112055	1 pc	Hydraulic hose	1/4" L=550 mm Straight-90°
17	TS-122157	1 pc	Hydraulic hose	3/8" L=1570 mm Straight-90°
18	TS-112130	1 pc	Hydraulic hose	1/4" L=1300 mm Straight-90°
19	TS-122028	1 pc	Hydraulic hose	3/8" L=280 mm Straight-90°
20	KT-70020406	1 pc	Adapter	1/4"UF-3/8"UF
21	KT-56010106	1 pc	Rubber steel washer	3/8"
22	TS-112330	1 pc	Hydraulic hose	1/4" L=3300 mm Straight-90°
23	TS-112317	1 pc	Hydraulic hose	1/4" L=3170 mm Straight-90°
24	TS-132050	1 pc	Hydraulic hose	1/2" L=500 mm Straight-90°
25	TS-118090	1 pc	Hydraulic hose	1/4" L=900 mm spec.

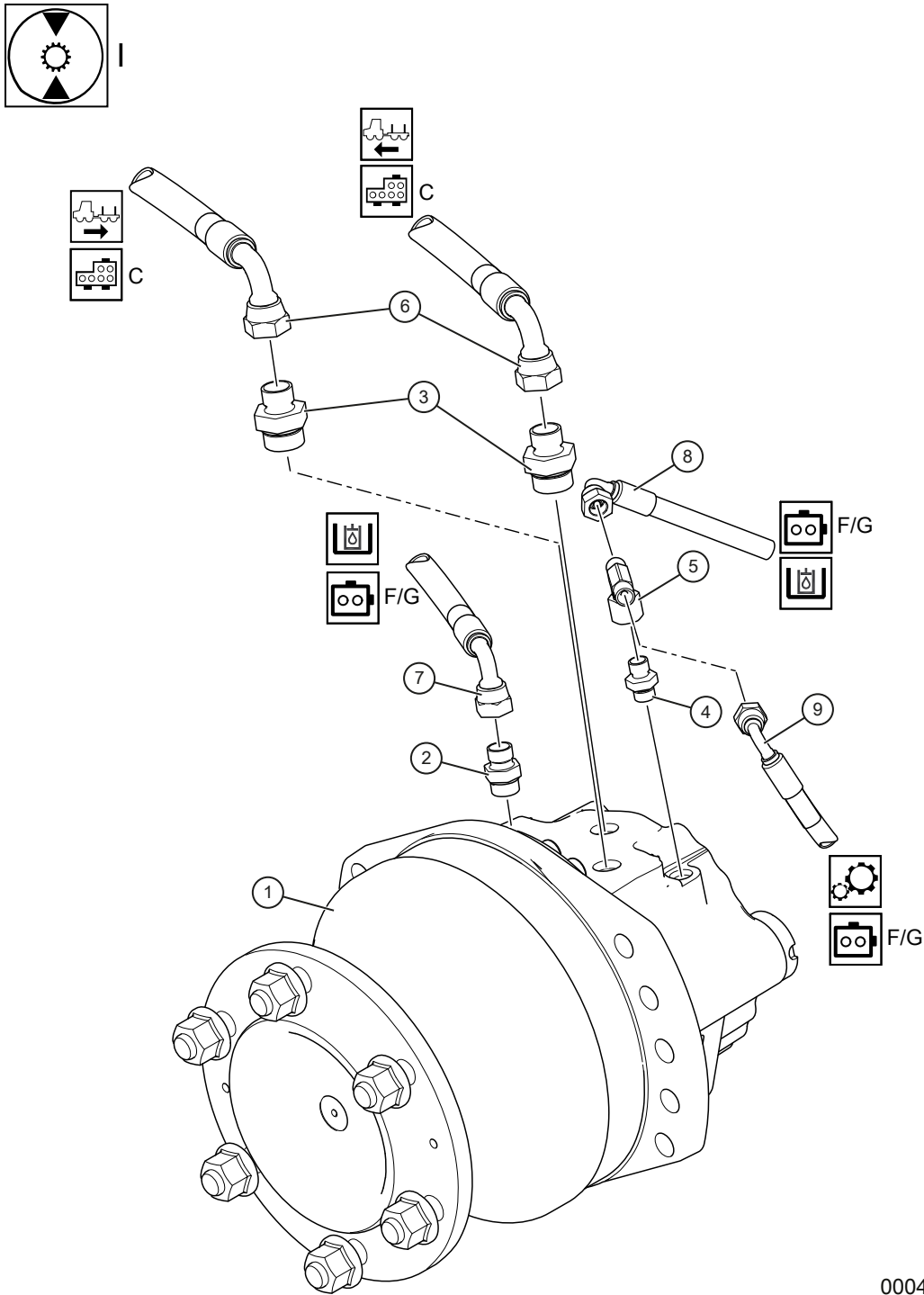
Pilot block (H)



Pilot block (H)

Pos	Art.	Qty.	Description	Remarks
1	KT-791214	1 pc	Pilot block	Complete
-1a	KT-791214-2		Electrically operated directional valve cartridge 4/2	
-	KT-790566-2		Solenoid	12VDC
-	KT-791214-3		Electric solenoid	24V
2	09-266793	4 pcs	Screw	M6S 8x16 8.8 FZB
3	KT-75030004	1 pc	Hexagonal plug	1/4"
4	KT-75030006	1 pc	Hexagonal plug	3/8"
5	KT-56010104	7 pcs	Rubber steel washer	1/4"
6	KT-70020404	5 pcs	Adapter	1/4"UF-1/4"UF
7	TS-112330	1 pc	Hydraulic hose	1/4" L=3300 mm Straight-90°
8	TS-112317	1 pc	Hydraulic hose	1/4" L=3170 mm Straight-90°
9	TS-112220	1 pc	Hydraulic hose	1/4" L=2200 mm Straight-90°
10	TS-112125-2	1 pc	Hydraulic hose	1/4" L=1250 mm Straight-90°
11	TS-112100	1 pc	Hydraulic hose	1/4" L=1000 mm Straight-90°
12	KT-56010106	5 pcs	Rubber steel washer	3/8"
13	KT-70020608	1 pc	Adapter	3/8"UF-1/2"UF
14	KT-70020406	2 pcs	Adapter	1/4"UF-3/8"UF
15	KT-70020606	2 pcs	Adapter	3/8"UF-3/8"UF
16	TS-133060-2	1 pc	Hydraulic hose	1/2" L=600 mm Straight-45°
17	TS-112085	1 pc	Hydraulic hose	1/4" L=850 mm Straight-90°
18	TS-122155-2	1 pc	Hydraulic hose	3/8" L=1550 mm Straight-90°
19	KT-74030606	1 pc	T-adapter	3/8"UF/UF/IR. Used with Urea.
20	TS-122028	1 pc	Hydraulic hose	3/8" L=280 mm Straight-90°
21	TS-118090	1 pc	Hydraulic hose	1/4" L=900 mm spec. Used with Urea.
22	KT-70900404	1 pc	Bulkhead connector	1/4"UF-1/4"UF
23	KT-74030404	1 pc	T-adapter	1/4"UF/UF/IR
24	TS-111220	1 pc	Hydraulic hose	1/4" L=2200 mm Straight-Straight
25	TS-112055	1 pc	Hydraulic hose	1/4" L=550 mm Straight-90°
26	KT-72040404	1 pc	Adjustable angle adapter	1/4"UF-1/4"UF 90° Adj.
27	TS-111055-2	1 pc	Hydraulic hose	1/4" L= 550 mm Straight-Straight
28	TS-112085	1 pc	Hydraulic hose	1/4" L=850 mm Straight-90°

In-wheel motor, wheel w/o brake (I) - welded bogie

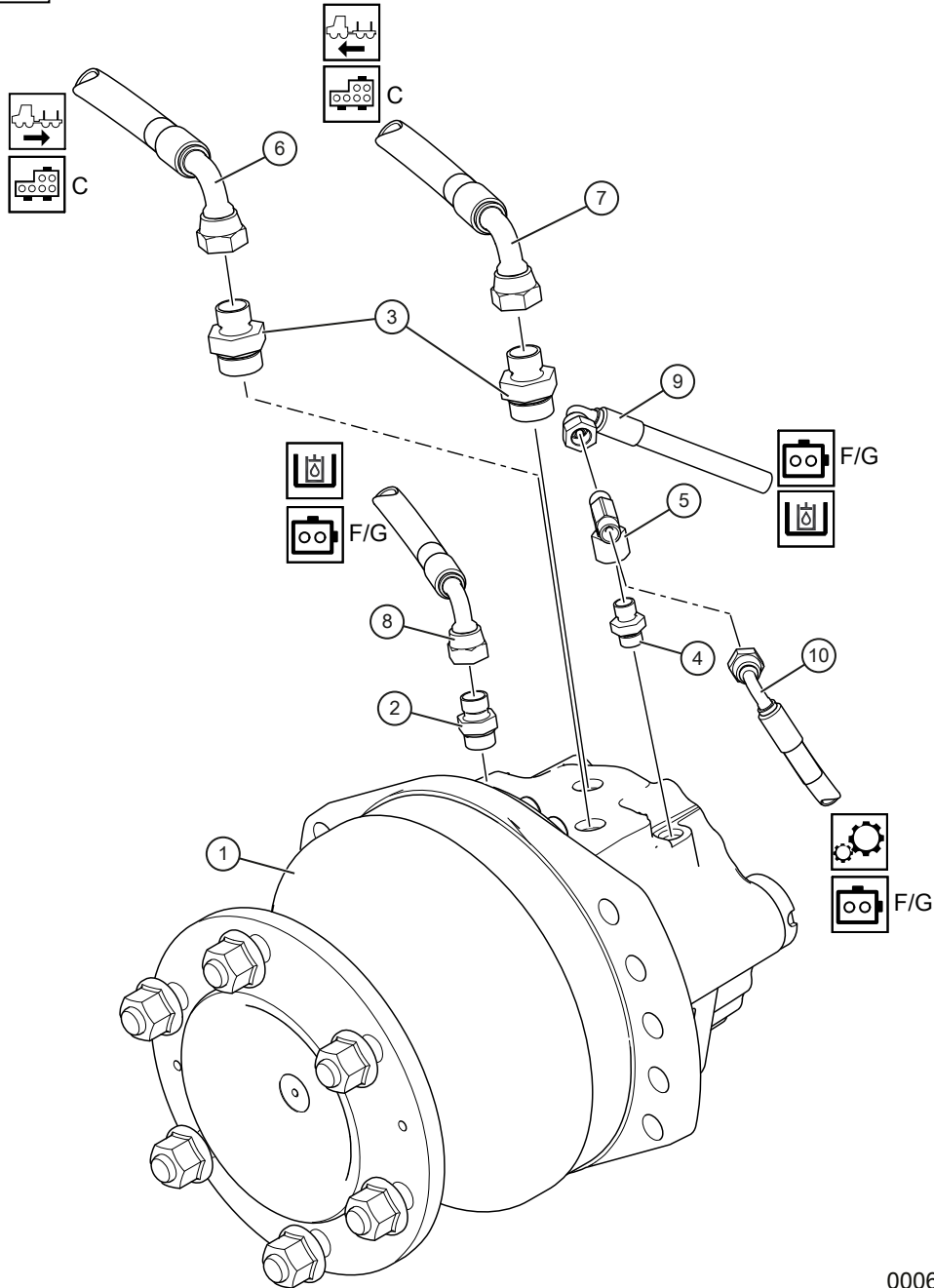
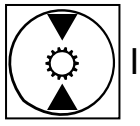


000420

In-wheel motor, wheel w/o brake (I) - welded bogie

Pos	Art.	Qty.	Description	Remarks
1	KT-791225	1 pc	In-wheel motor	Poc 1248cc w/o brake
2	KT-70150612	1 pc	Adapter	3/8"UF-SAE0 3/4"-16UF. Tank
3	KT-70150817	2 pcs	Adapter	1/2"UF-SAE0 1 1/16"UF. Drive
4	KT-70150409	1 pc	Adapter	1/4"UF-9/16"-18UF. Gear
5	KT-74030404	1 pc	T-adapter	1/4"UF/UF/IR. Gear
6	TS-138040	2 pcs	Hydraulic hose	1/2" L=400 mm spec. Drive
7	TS-122040	1 pc	Hydraulic hose	3/8" L=400 mm Straight-90°. Tank
8	TS-112190	1 pc	Hydraulic hose	1/4" L=1900 mm Straight-90°. Gear
9	TS-112180	1 pc	Hydraulic hose	1/4" L=1800 mm Straight-90°. Gear front bogie
	TS-118170	1 pc	Hydraulic hose	1/4" L=1700 mm spec. Gear rear bogie

In-wheel motor, wheel without brake (I) - cast bogie

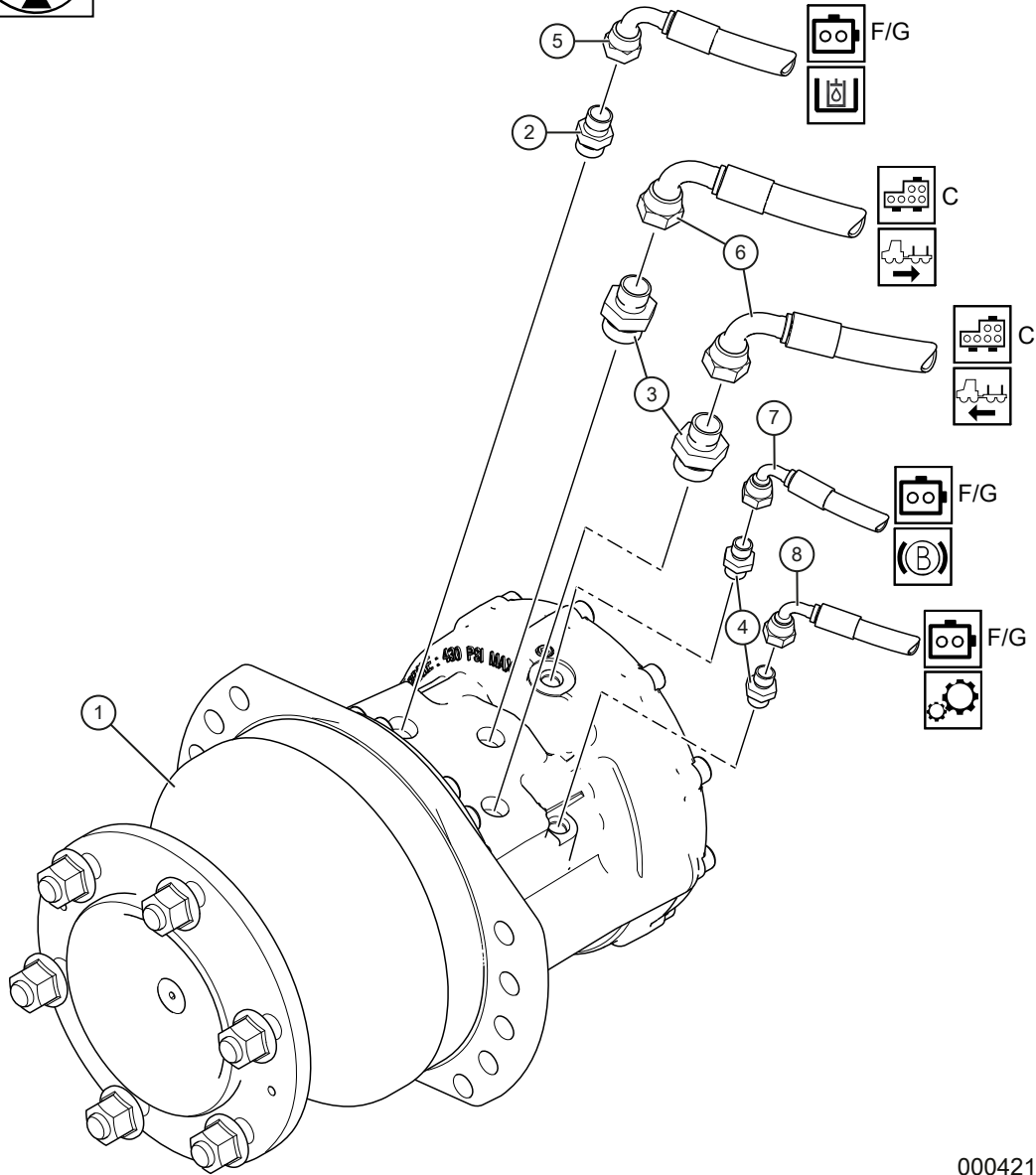
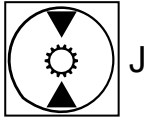


000638

In-wheel motor, wheel without brake (I) - cast bogie

Pos	Art.	Qty.	Description	Remarks
1	KT-791225	1 pc	In-wheel motor	Poc 1248cc w/o brake
2	KT-70150612	1 pc	Adapter	3/8"UF-SAE0 3/4"-16UF. Tank
3	KT-70150817	2 pcs	Adapter	1/2"UF-SAE0 1 1/16"UF. Drive
4	KT-70150409	1 pc	Adapter	1/4"UF-9/16"-18UF. Drive
5	KT-74030404	1 pc	T-adapter	1/4"UF/UF/IR. Gear
6	TS-132210	1 pc	Hydraulic hose	1/2" L=2100 mm Straight-90°. Drive A - Right front
	TS-132185	1 pc	Hydraulic hose	1/2" L=1850 mm Straight-90°. Drive A - Left front
	TS-132140	1 pc	Hydraulic hose	1/2" L=1400 mm Straight-90°. Drive A - Right rear
	TS-132135	1 pc	Hydraulic hose	1/2" L=1350 mm Straight-90°. Drive A - Left rear
7	TS-132220	1 pc	Hydraulic hose	1/2" L=2200 mm Straight-90°. Drive B - Right front
	TS-132250	1 pc	Hydraulic hose	1/2" L=2500 mm Straight-90°. Drive B - Left front
	TS-132140	1 pc	Hydraulic hose	1/2" L=1400 mm Straight-90°. Drive B - Right rear
	TS-132145	1 pc	Hydraulic hose	1/2" L=1450 mm Straight-90°. Drive B - Left rear
8	TS-122040	1 pc	Hydraulic hose	3/8" L=420 mm Straight-90°. Tank
9	TS-112110	1 pc	Hydraulic hose	1/4" L=1100 mm Straight-90°. Gear
10	TS-112205	1 pc	Hydraulic hose	1/4" L=2050 mm Straight-90°. Gear - Right front
	TS-111212	1 pc	Hydraulic hose	1/4" L=2120 mm Straight-Straight. Gear - Left front
	TS-112170	1 pc	Hydraulic hose	1/4" L=1700 mm Straight-90°. Gear - Right rear
	TS-111170	1 pc	Hydraulic hose	1/4" L=1700 mm Straight-Straight. Gear - Left rear

In-wheel motor, wheel with brake (J) - welded bogie

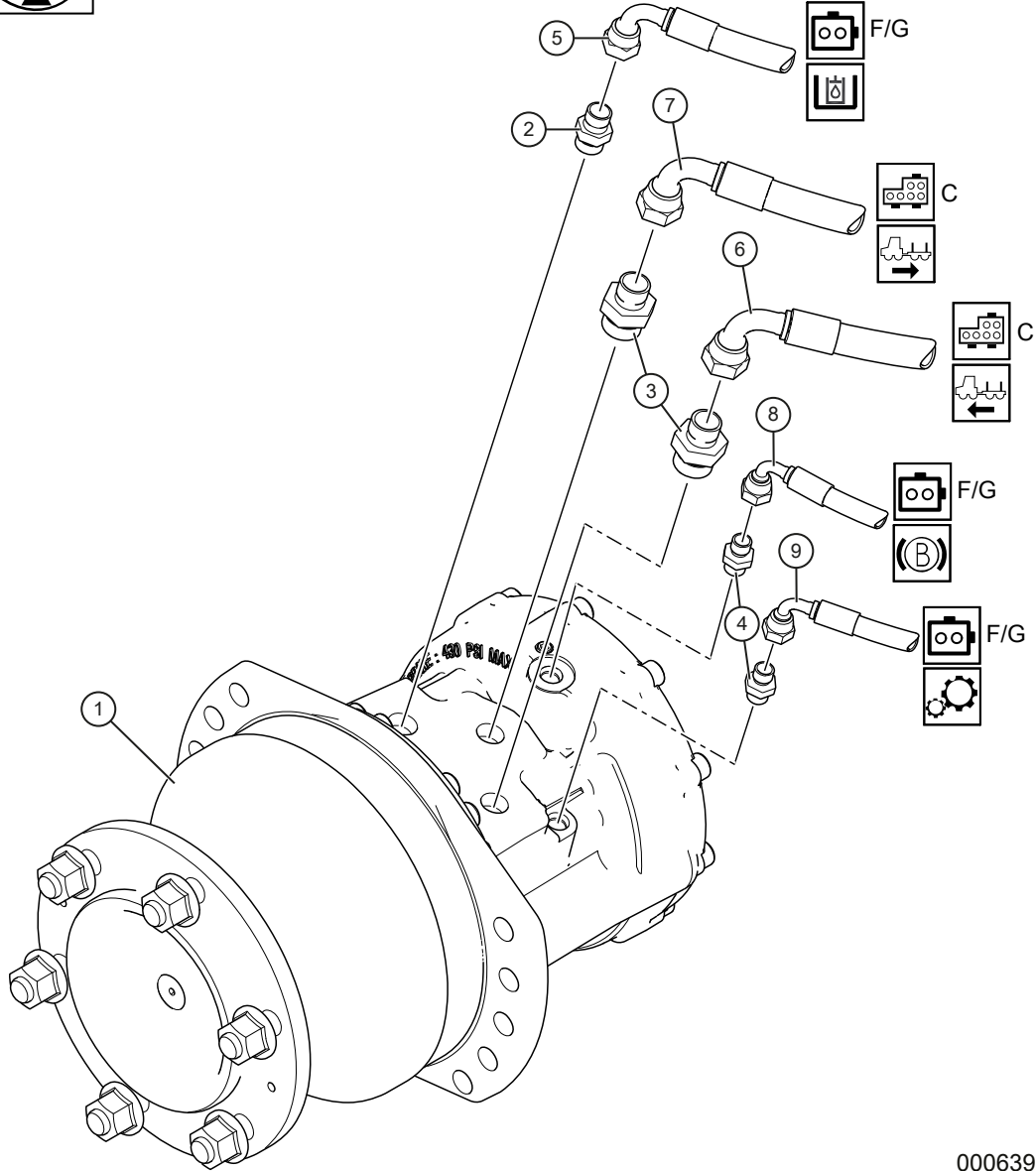
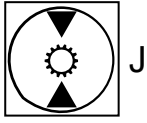


000421

In-wheel motor, wheel with brake (J) - welded bogie

Pos	Art.	Qty.	Description	Remarks
1	KT-791226	1 pc	In-wheel motor	Poc 1248cc with parking brake
2	KT-70150612	1 pc	Adapter	3/8"UF-SAE0 3/4"-16UF. Tank
3	KT-70150817	2 pcs	Adapter	1/2"UF-SAE0 1 1/16"UF. Drive
4	KT-70150409	2 pcs	Adapter	1/4"UF-9/16"-18UF. Brake/ Gear
5	TS-122130	1 pc	Hydraulic hose	3/8" L=1300 mm Straight-90°. Tank front bogie
	TS-127130	1 pc	Hydraulic hose	3/8" L=1300 mm 90°-90°. Tank rear bogie
6	TS-138040	2 pcs	Hydraulic hose	1/2" L=400 mm spec. Drive
7	TS-112150	1 pc	Hydraulic hose	1/4" L=1500 mm Straight-90°. Brake - Right front
	TS-112150	1 pc	Hydraulic hose	1/4" L=1500 mm Straight-90°. Brake - Left front
	TS-113155	1 pc	Hydraulic hose	1/4" L=1550 mm Straight-45°. Brake - Right rear
	TS-113115	1 pc	Hydraulic hose	1/4" L=1150 mm Straight-45°. Brake - Left rear
8	TS-112190	1 pc	Hydraulic hose	1/4" L=1900 mm Straight-90°. Gear front bogie
	TS-112170	1 pc	Hydraulic hose	1/4" L=1700 mm Straight-90°. Gear rear bogie

In-wheel motor, wheel with brake (J) - cast bogie

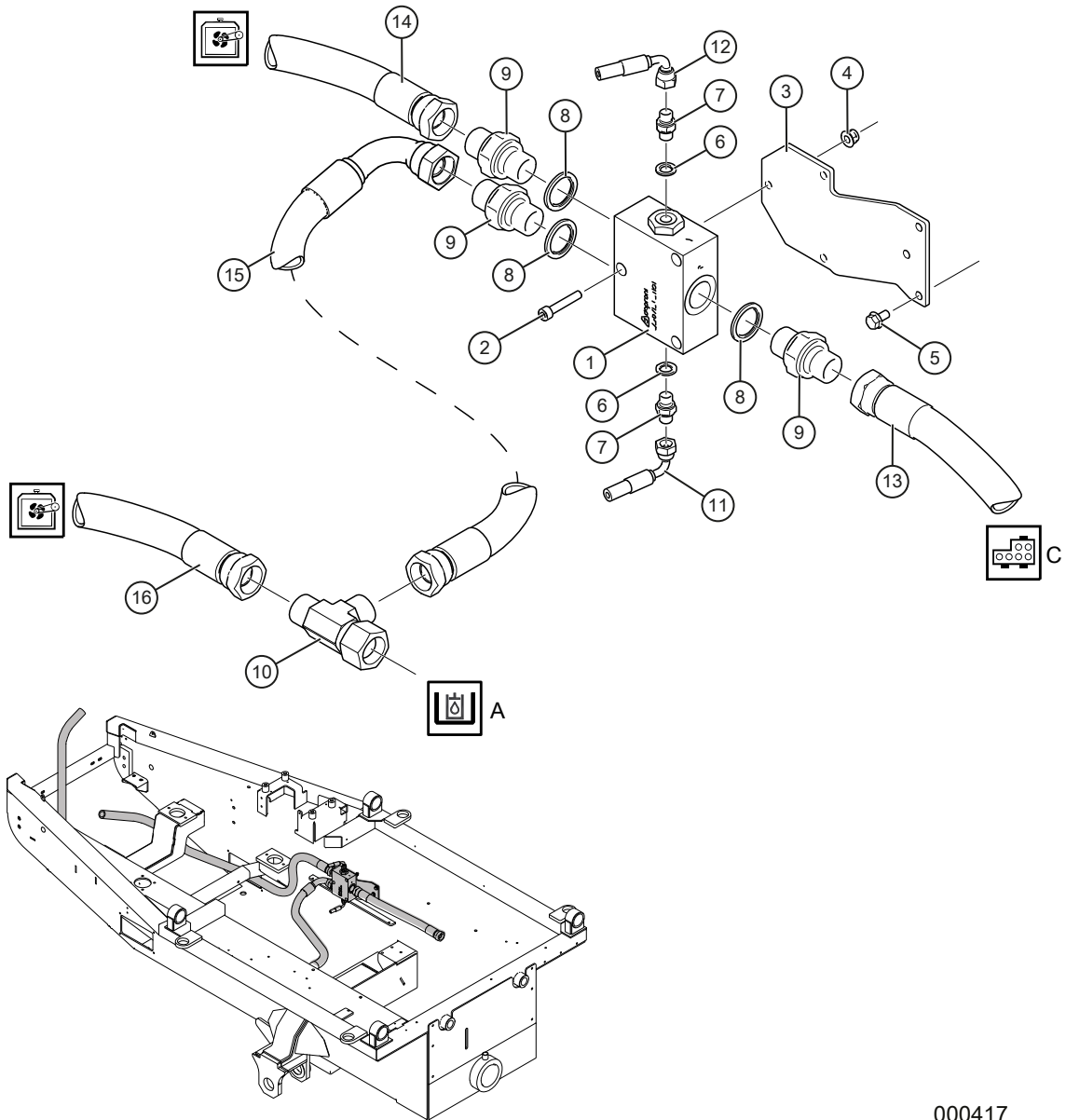
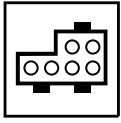


000639

In-wheel motor, wheel with brake (J) - cast bogie

Pos	Art.	Qty.	Description	Remarks
1	KT-791226	1 pc	In-wheel motor	Poc 1248cc with parking brake
2	KT-70150612	1 pc	Adapter	3/8"UF-SAE0 3/4"-16UF. Tank
3	KT-70150817	2 pcs	Adapter	1/2"UF-SAE0 1 1/16"UF. Drive
4	KT-70150409	2 pcs	Adapter	1/4"UF-9/16"-18UF. Brake/ Gear
5	TS-127100	1 pc	Hydraulic hose	3/8" L=1000 mm 90°-90°. Tank
6	TS-132205	1 pc	Hydraulic hose	1/2" L=2050 mm Straight-90°. Drive A - Right front
	TS-132105	1 pc	Hydraulic hose	1/2" L=1050 mm Straight-90°. Drive A - Left front
	TS-132095	1 pc	Hydraulic hose	1/2" L=950 mm Straight-90°. Drive A - Right rear
	TS-132105	1 pc	Hydraulic hose	1/2" L=1050 mm Straight-90°. Drive A - Left rear
7	TS-132220	1 pc	Hydraulic hose	1/2" L=2200 Straight-90°. Drive B - Right front
	TS-132155	1 pc	Hydraulic hose	1/2" L=1550 Straight-90°. Drive B - Left front
	TS-132100	1 pc	Hydraulic hose	1/2" L=1000 Straight-90°. Drive B - Rear bogie
8	TS-112130	1 pc	Hydraulic hose	1/4" L=1300 mm Straight-90°. Brake - Right front
	TS-112120	1 pc	Hydraulic hose	1/4" L=1200 mm Straight-90°. Brake - Left front
	TS-112090	1 pc	Hydraulic hose	1/4" L=900 mm Straight-90°. Brake - Right rear
	TS-112095	1 pc	Hydraulic hose	1/4" L=950 mm Straight-90°. Brake - Left rear
9	TS-112110	1 pc	Hydraulic hose	1/4" L=1100 mm Straight-90°. Gear

Thermostat block (K)

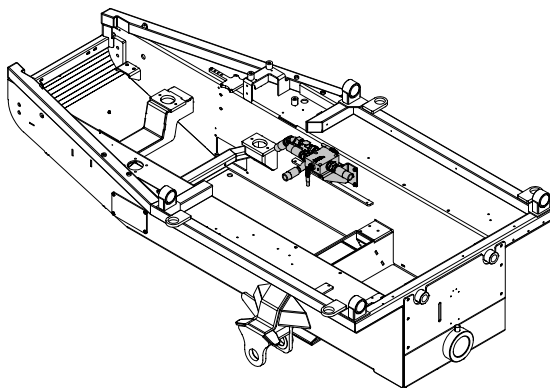
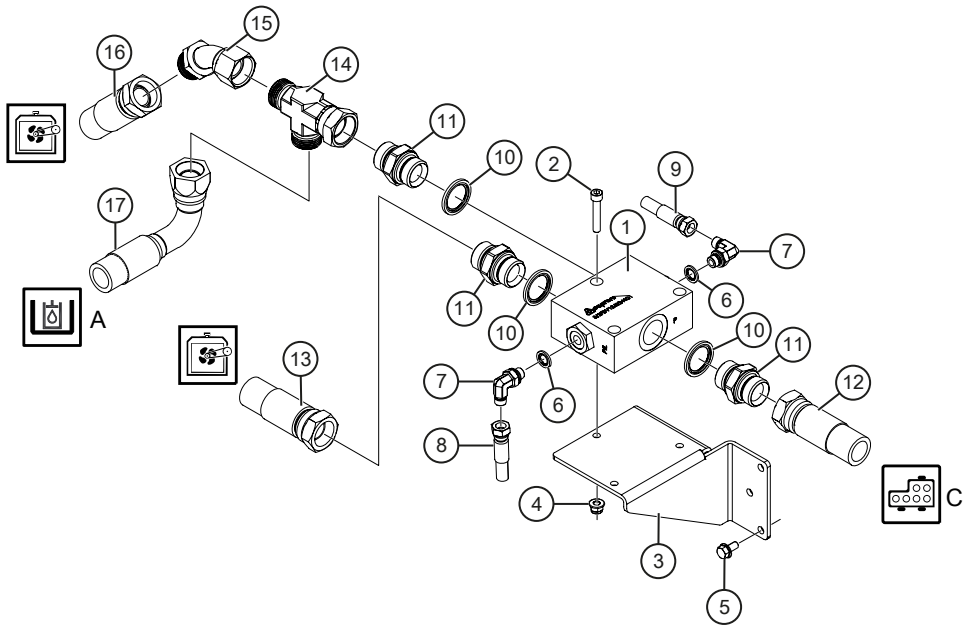
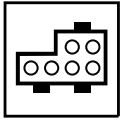


000417

Thermostat block (K)

Pos	Art.	Qty.	Description	Remarks
1	KT-791338	1 pc	Thermostat block	Machine no. T23-006. Not T21-001, T22-001, T22-006 and T22-007.
2	K6066-01	3 pcs	Hex screw	MC6S 8x45
3	TE-702907	1 pc	Bracket	
4	09-265605	3 pcs	Flange lock nut	LM6MF 8 FZB
5	09-266793	3 pcs	Flange screw	M6SF 8x16 8.8 FZB
6	KT-56010104	2 pcs	Rubber steel washer	1/4"
7	KT-70020404	2 pcs	Adapter	1/4"UF-1/4"UF
8	KT-56010116	3 pcs	Rubber steel washer	1"
9	KT-70021616	3 pcs	Adapter	1"UF-1"UF
10	KT-74041616	1 pc	T-adapter	1"IR/UF/UF
11	TS-112055	1 pc	Hydraulic hose	1/4" L=550 Straight-90°
12	TS-112085	1 pc	Hydraulic hose	1/4" L=880 Straight-90°
13	TS-171045	1 pc	Hydraulic hose	1" L=450 Straight-Straight. For drive valve T
14	TS-172180	1 pc	Hydraulic hose	1"L=1800 Straight-90°. For cooler
15	TS-171043	1 pc	Hydraulic hose	1" L=430 Straight-Straight. For thermal bypass valve
16	TS-172235	1 pc	Hydraulic hose	1" L=2350 Straight-90°. For cooler

Thermostat block (K)

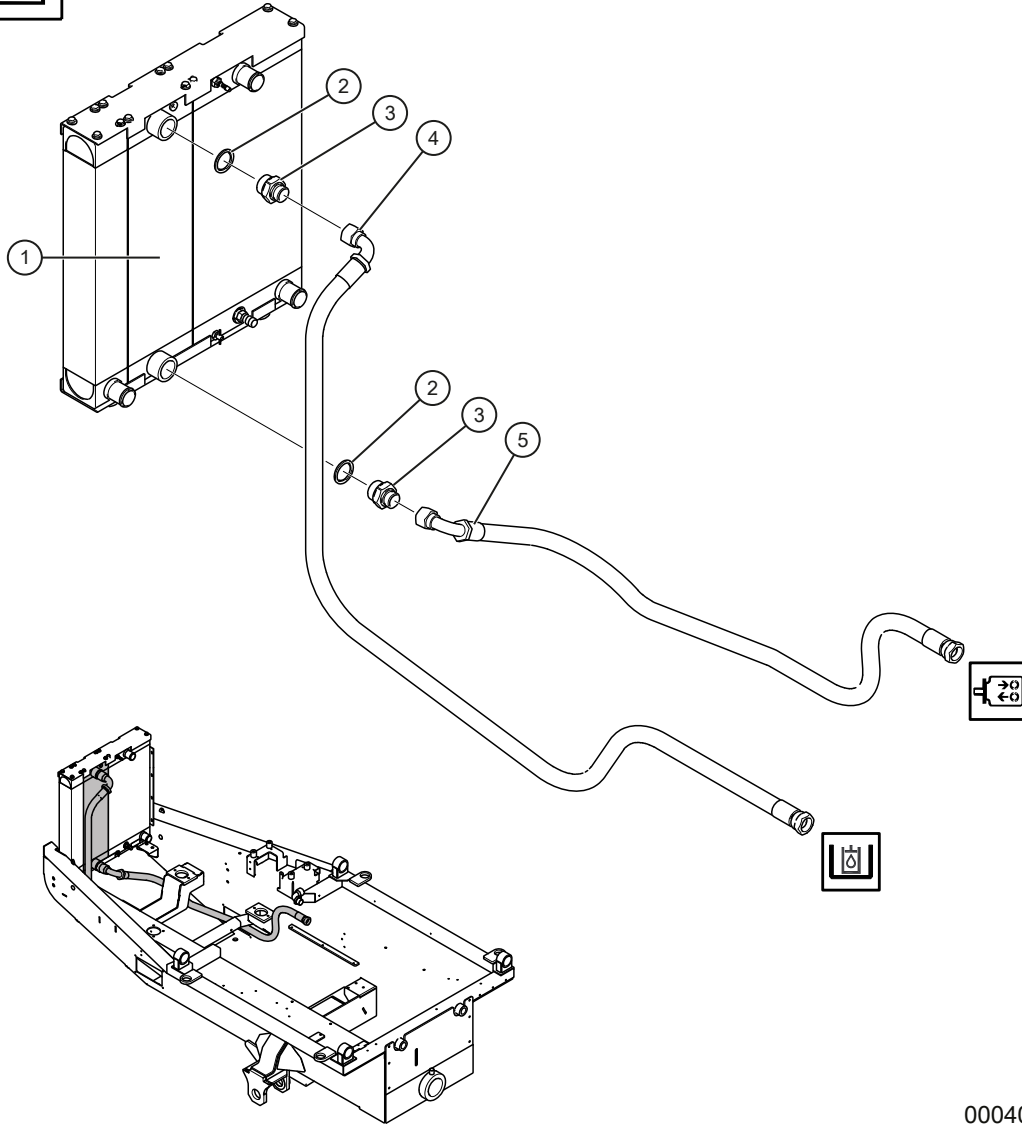


000594

Thermostat block (K)

Pos	Art.	Qty.	Description	Remarks
1	KT-791378	1 pc	Thermostat block	From machine T23-007. Also machines T21-001, T22-001, T22-006 and T22-007.
2	K6066-01	3 pcs	Hex screw	MC6S 8x45
3	TE-703210	1 pc	Bracket	
4	09-265605	3 pcs	Flange lock nut	LM6MF 8 FZB
5	09-266793	3 pcs	Flange screw	M6SF 8x16 8.8 FZB
6	KT-56010104	2 pcs	Rubber steel washer	1/4"
7	KT-72040404	2 pcs	Adjustable angle adapter	1/4"UF-1/4"UF STB
8	TS-111055-2	1 pc	Hydraulic hose	1/4"L=550 Straight-Straight
9	TS-112085	1 pc	Hydraulic hose	1/4" L=850 Straight-90°
10	KT-56010116	3 pcs	Rubber steel washer	1"
11	KT-70021616	3 pcs	Adapter	1"UF-1"UF
12	TS-171045	1 pc	Hydraulic hose	1" L=450 Straight-Straight. For drive valve T
13	TS-172180	1 pc	Hydraulic hose	1"L=1800 Straight-90°. For cooler
14	KT-74041616	1 pc	T-adapter	1"IR-1"UF-1"UF
15	KT-73051616	1 pc	Angle adapter	1"IR-1"UF 45°
16	TS-172235	1 pc	Hydraulic hose	1" L=2350 Straight-90°. For cooler
17	TS-172070	1 pc	Hydraulic hose	1" L=700 Straight-Straight. For hydraulic tank

Hydraulic oil cooler

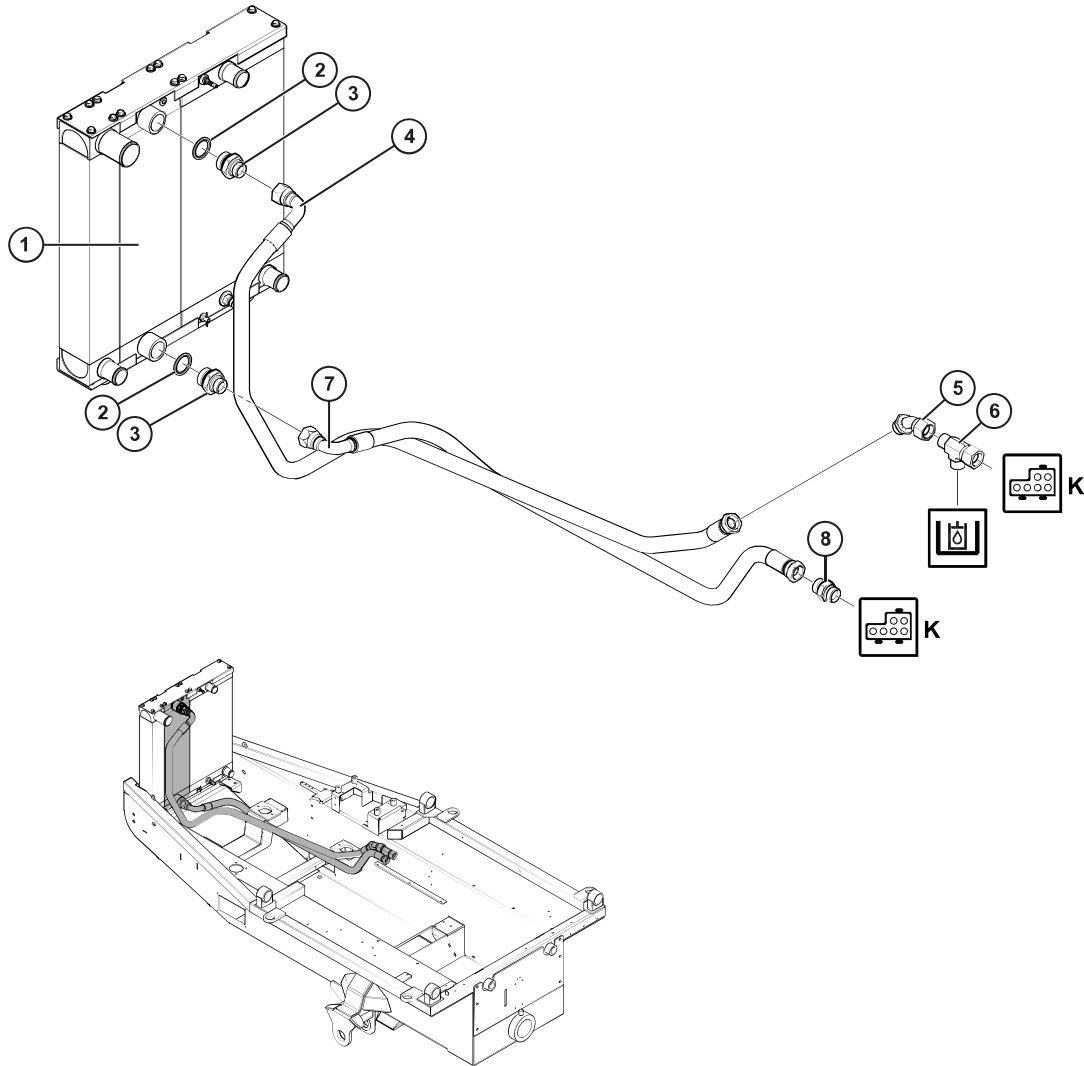


000405

Hydraulic oil cooler

Pos	Art.	Qty.	Description	Remarks
			Hydraulic oil cooler	Up to machine T23-006.
1	KT-765001-2	1 pc	Cooling element	Oil
2	KT-56010120	2 pcs	Rubber steel washer	1 1/4"
3	KT-70021620	2 pcs	Adapter	1"UF-1 1/4"UF
4	TS-172235	1 pc	Hydraulic hose	1" L=2350 mm Straight-90°. For tank
5	TS-172180	1 pc	Hydraulic hose	1" L=1800 mm Straight-90°. For thermal bypass

Hydraulic oil cooler

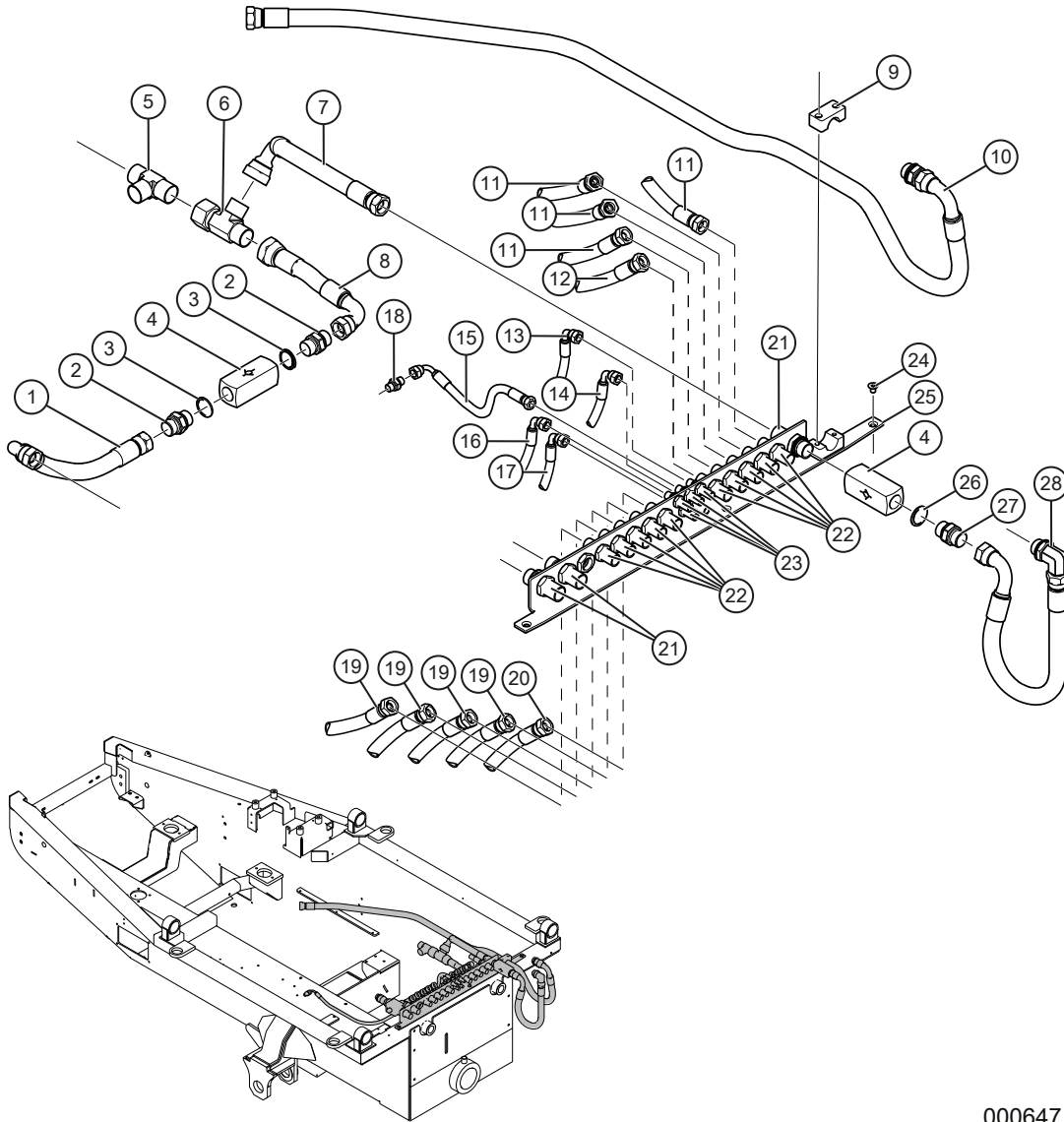


000637

Hydraulic oil cooler

Pos	Art.	Qty.	Description	Remarks
			Hydraulic oil cooler	From machine T23-007.
1	KT-765001-2	1 pc	Cooling element	Oil
2	KT-56010120	2 pcs	Rubber steel washer	1 1/4"
3	KT-70021620	2 pcs	Adapter	1"UF-1 1/4"UF
4	TS-172235	1 pc	Hydraulic hose	1" L=2350 mm Straight-90°
5	KT-73051616	1 pc	Angle adapter	1"UF-1"UF 45°
6	KT-74041616	1 pc	T-adapter	1"IR-1"UF-1"UF
7	TS-172180	1 pc	Hydraulic hose	1" L=1800 mm Straight-90°
8	KT-70021616	1 pc	Adapter	1"UF-1"UF

Bulkhead connector

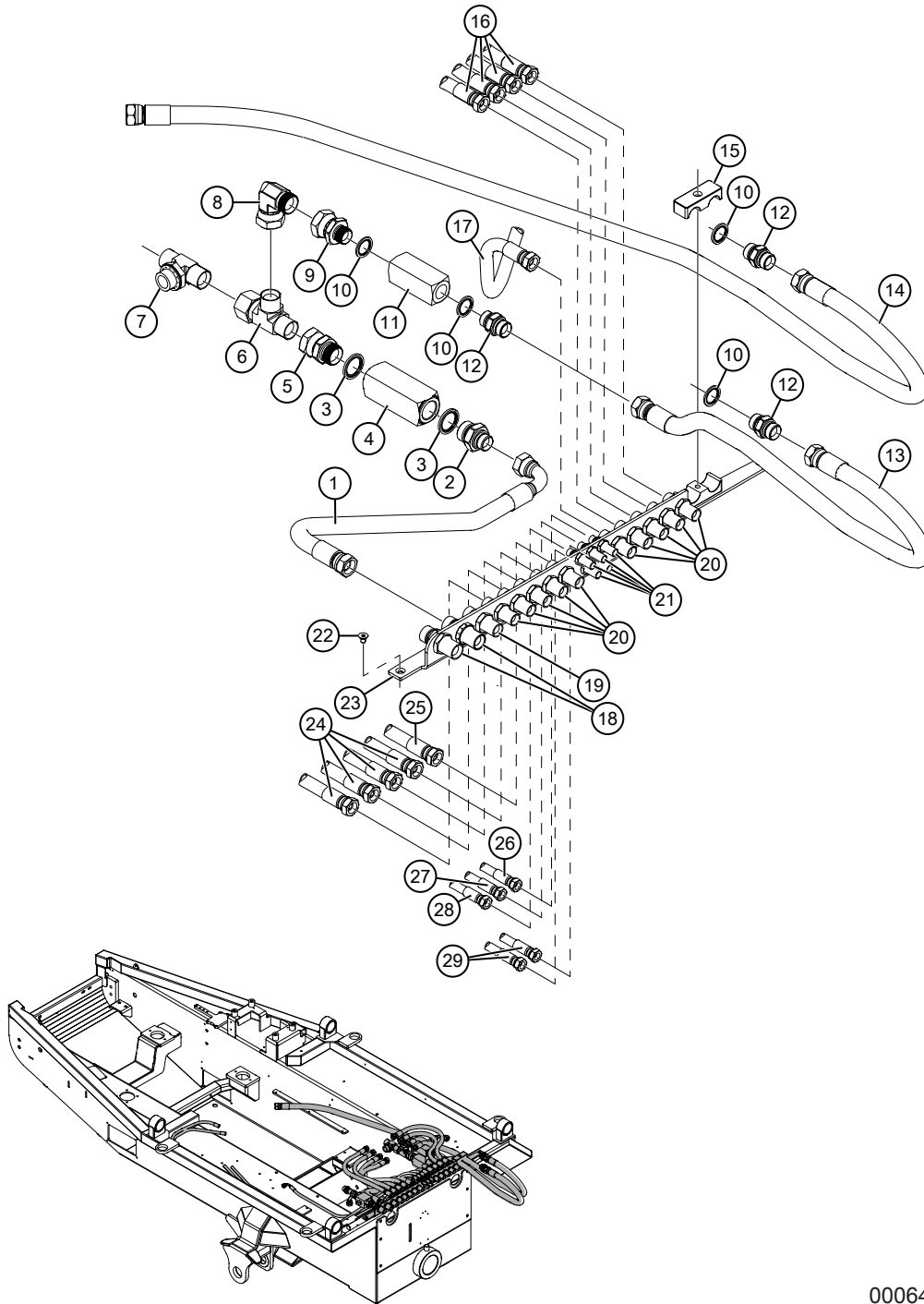


000647

Bulkhead connector

Pos	Art.	Qty.	Description	Remarks
1	TS-152021	1 pc	Hydraulic hose	3/4" L=210 mm Straight-90°
2	KT-70021212	2 pcs	Adapter	3/4"UF-3/4UF"
3	KT-56010112	2 pcs	Rubber steel washer	3/4"
4	KT-790913	2 pcs	Non-return valve	3/4" 4.5 bar
5	KT-74011616	1 pc	T-adapter	1" UF/UF/UF
6	KT-74041616	1 pc	T-adapter	1"UF/IR/UF
7	TS-158023	1 pc	Hydraulic hose	3/4" L=200 mm spec.
8	TS-158013	1 pc	Hydraulic hose	3/4" L=130 mm spec.
9	KT-53900528	2 pcs	Pipe clamp	28 mm
10	TS-162180	1 pc	Hydraulic hose	3/4" L=1800 mm Straight-90°
11	TS-132033	4 pcs	Hydraulic hose	1/2" L=330 mm Straight-90°
12	TS-132058	1 pc	Hydraulic hose	1/2" L=580 mm Straight-90°
13	TS-112220	1 pc	Hydraulic hose	1/4" L=2200 mm Straight-90°
14	TS-113140	1 pc	Hydraulic hose	1/4" L=1400 mm Straight-45°
15	TS-112095	1 pc	Hydraulic hose	1/4" L=950 mm Straight-90°
16	TS-112207	1 pc	Hydraulic hose	1/4" L=2070 mm Straight-90°
17	TS-113140	1 pc	Hydraulic hose	1/4" L=1400 mm Straight-45°
18	KT-70020404	1 pc	Adapter	1/4"UF-1/4"UF
19	TS-133047	4 pcs	Hydraulic hose	1/2" L=470 mm Straight-45°
20	TS-132029	1 pc	Hydraulic hose	1/2" L=290 mm Straight-90°
21	KT-70901212	3 pcs	Bulkhead connector	3/4"UF-3/4"UF
22	KT-70900808	10 pcs	Bulkhead connector	1/2"UF-1/2"UF
23	KT-70900404	5 pcs	Bulkhead connector	1/4"UF-1/4"UF
24	K6085-064	3 pcs	Screw	MF6S 8x12 10.9 FZB
25	TE-702153	1 pc	Sheet metal bulkheads	
26	KT-56010112	1 pc	Rubber steel washer	3/4"
27	KT-70021212	1 pc	Adapter	3/4"UF-3/4"UF
28	TS-152060	1 pc	Hydraulic hose	3/4" L=600 mm Straight-90°

Bulkhead connector

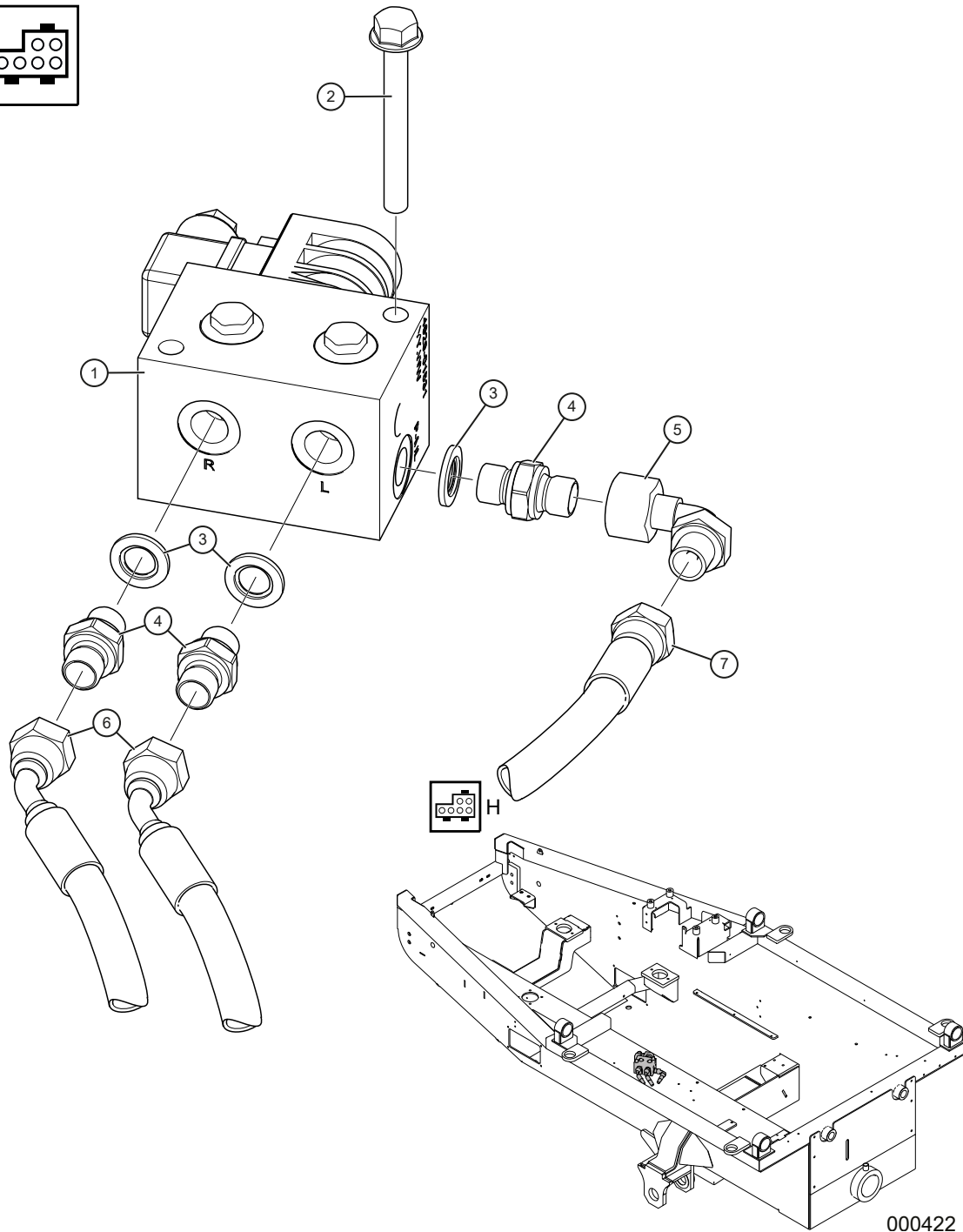
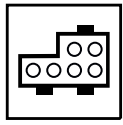


000648

Bulkhead connector

Pos	Art.	Qty.	Description	Remarks
1	TS-152065	1 pc	Hydraulic hose	3/4" L=650 mm Straight-90°
2	KT-70021216	1 pc	Adapter	3/4"UF-1"UF
3	KT-56010116	2 pcs	Rubber steel washer	1"
4	KT-790692	1 pc	Non-return valve	1" 0.35 bar
5	KT-70081616	1 pc	Adapter	1"UF-1"IR
6	KT-74041616	1 pc	T-adapter	1"IR/UF/UF
7	KT-74131616	1 pc	Adjustable T-adapter	1"UF/UF/UF Stb
8	KT-72031616	1 pc	Angle adapter	1"UF-1"IR 90°
9	KT-70081216	1 pc	Adapter	3/4"UF-1"IR
10	KT-56010112	4 pcs	Rubber steel washer	3/4"
11	KT-790913	1 pc	Non-return valve	3/4" 4.5 bar
12	KT-70021212	3 pcs	Adapter	3/4"UF-3/4"UF
13	TS-151095	1 pc	Hydraulic hose	3/4" L=950 Straight-Straight
14	TS-151200-4	1 pc	Hydraulic hose	3/4" L=2000 Straight-Straight
15	KT-53904426	2 pcs	Double clamp	26 mm
16	TS-131045-2	4 pcs	Hydraulic hose	1/2" L=450 Straight-Straight
17	TS-132066	1 pc	Hydraulic hose	1/2" L=660 Straight-90°
18	KT-70901212	2 pcs	Bulkhead connector	3/4"UF-3/4"UF
19	KT-70901010	1 pc	Bulkhead connector	5/8"UF-5/8"UF
20	KT-70900808	10 pcs	Bulkhead connector	1/2"UF-1/2"UF
21	KT-70900404	5 pcs	Bulkhead connector	1/4"UF-1/4"UF
22	K6085-064	3 pcs	Screw	MF6S 8x12 10.9 FZB
23	TE-702153	1 pc	Sheet metal bulkheads	
24	TS-131050-2	4 pcs	Hydraulic hose	1/2" L=500 Straight-Straight
25	TS-132040	1 pc	Hydraulic hose	1/2" L=400 Straight-90°
26	TS-112220	1 pc	Hydraulic hose	1/4" L=2200 Straight-90°
27	TS-112095	1 pc	Hydraulic hose	1/4"L=950 Straight-90°
28	TS-111220	1 pc	Hydraulic hose	1/4" L=2200 Straight-Straight
29	TS-113160-2	2 pcs	Hydraulic hose	1/4" L=1600 Straight-45°

Valve block, articulation lock

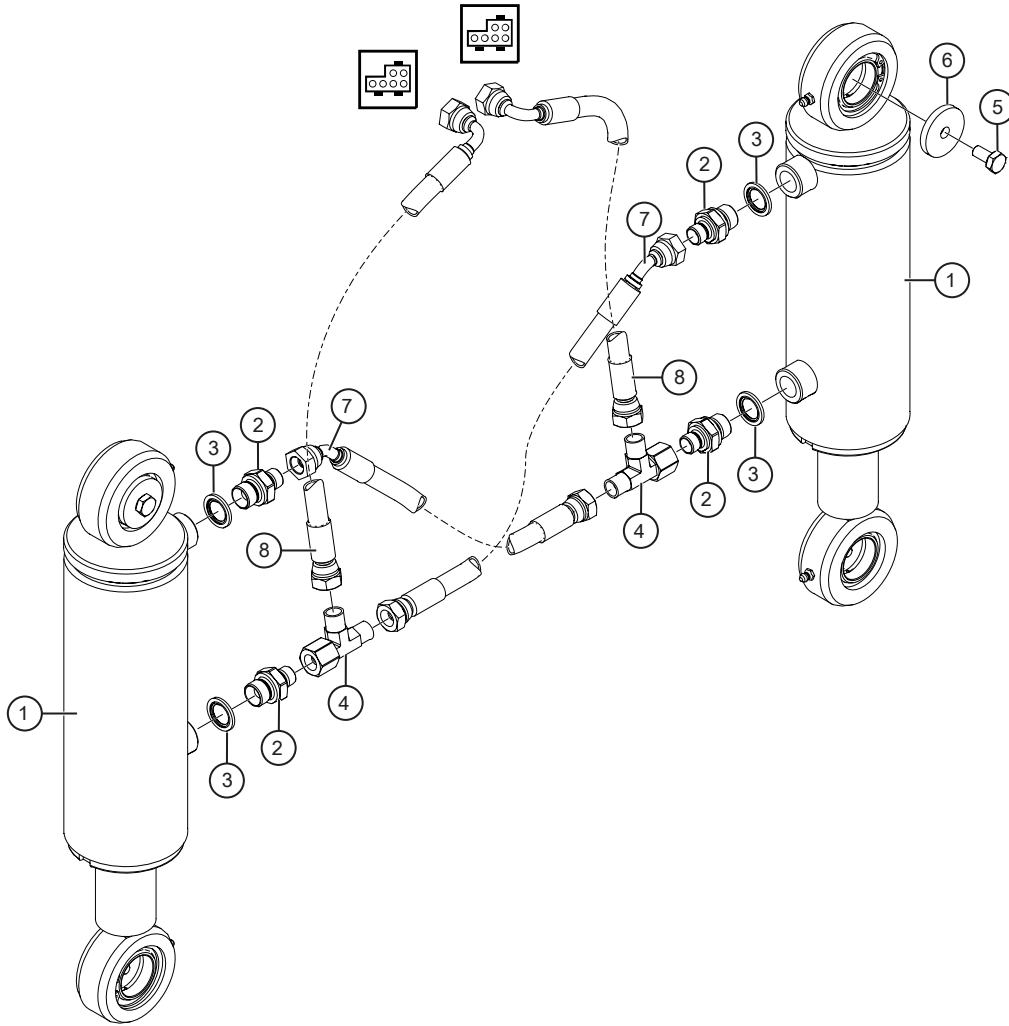


000422

Valve block, articulation lock

Pos	Art.	Qty.	Description	Remarks
1	KT-791217	1 pc	Articulation lock block	
*	KT-791217-1	1 pc	Directional control valve	2/2
2	09-267713	2 pcs	Flange screw	M6SF 8x70 8.8 FZB
3	KT-56010104	3 pcs	Rubber steel washer	1/4"
4	KT-70020404	3 pcs	Adapter	1/4"UF-1/4"UF
5	KT-72050404	1 pc	Angle adapter	1/4"UF-1/4"IR 90°
6	TS-113160-2	2 pcs	Hydraulic hose	1/4" L=1600 mm Straight-45°
7	TS-112090	1 pc	Hydraulic hose	1/4" L=900 mm Straight-90°

Articulation lock cylinders

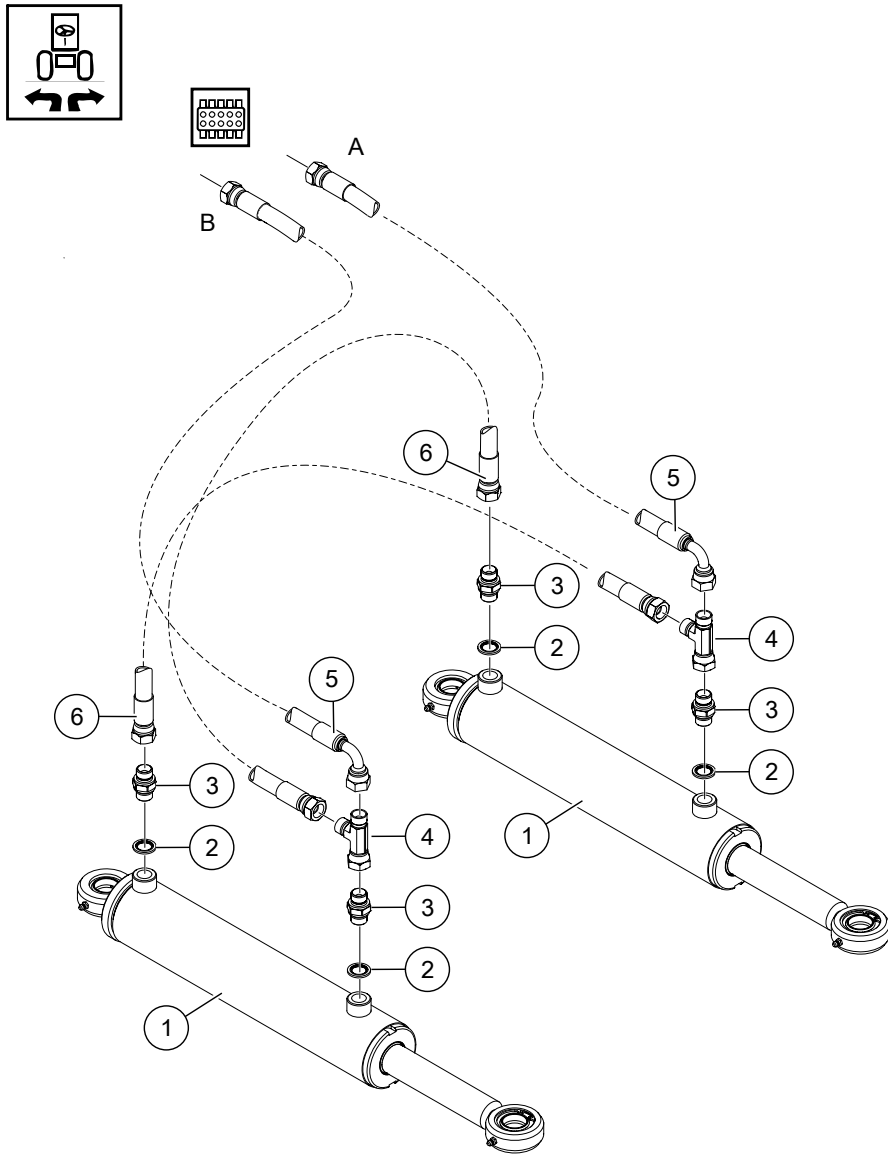


000632

Articulation lock cylinders

Pos	Art.	Qty.	Description	Remarks
1	KT-790851	2 pcs	Articulation lock cylinder	
	KT-790851-1		Gasket kit	Articulation lock cylinder KT-790851
2	KT-70020406	4 pcs	Adapter	1/4" UF-3/8"UF
3	KT-56010106	4 pcs	Rubber steel washer	3/8"
4	KT-740404041	2 pcs	T-adapter	1/4" IR/UF/UF
5	K6074-09	4 pcs	Screw	M6S 8x16 FZB
6	TE-700243	4 pcs	Washer	Articulation lock cylinder
7	TS-113027	2 pcs	Hydraulic hose	1/4" L=270 Straight-45°
8	TS-112030	2 pcs	Hydraulic hose	1/4" L=300 Straight-90°

Steering cylinders

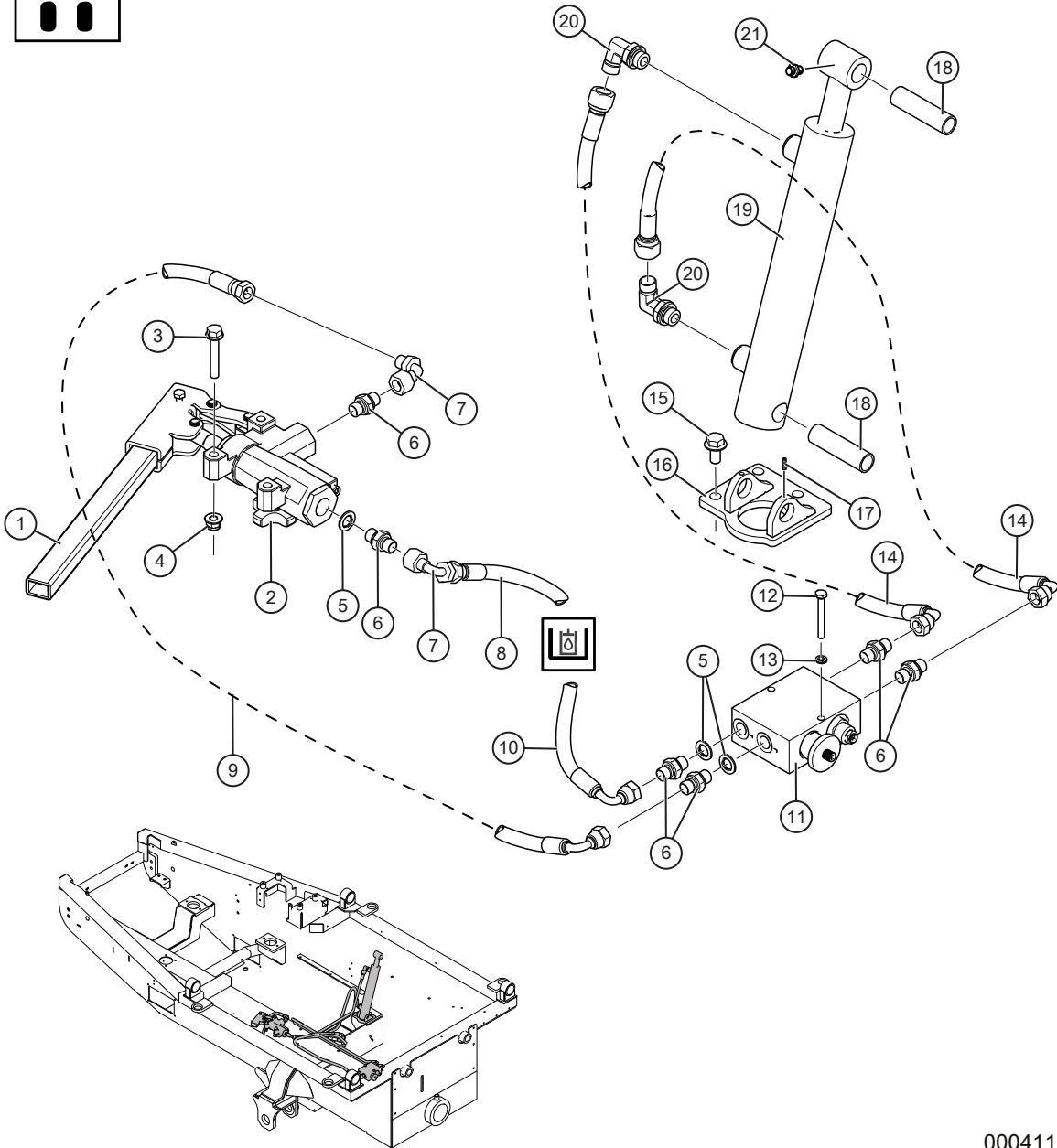
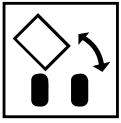


000562

Steering cylinders

Pos	Art.	Qty.	Description	Remarks
1	KT-791075	2 pcs	Steering cylinder	Replaced by KT-791678
	KT-791678	1 pc/2 pcs	Steering cylinder	Replaces KT-791075. Reinforced lug. Trailer part lug may need to be modified
	KT-791462	1 pc	Steering cylinder	With angle sensor
-	KT-791075-1		Gasket kit	Steering cylinder KT-791075 + KT-791678 + KT-791462
2	KT-56010106	4 pcs	Rubber steel washer	3/8"
3	KT-70020606	4 pcs	Adapter	3/8"UF-UF
4	KT-74040606	2 pcs	L-Adapter	3/8" IR-UF-UF
3	TS-122090	2 pcs	Hydraulic hose	3/8" L=900mm Straight-90°
4	TS-127075	2 pcs	Hydraulic hose	3/8" L=750mm Straight-Straight

Cab lift, valve and pump

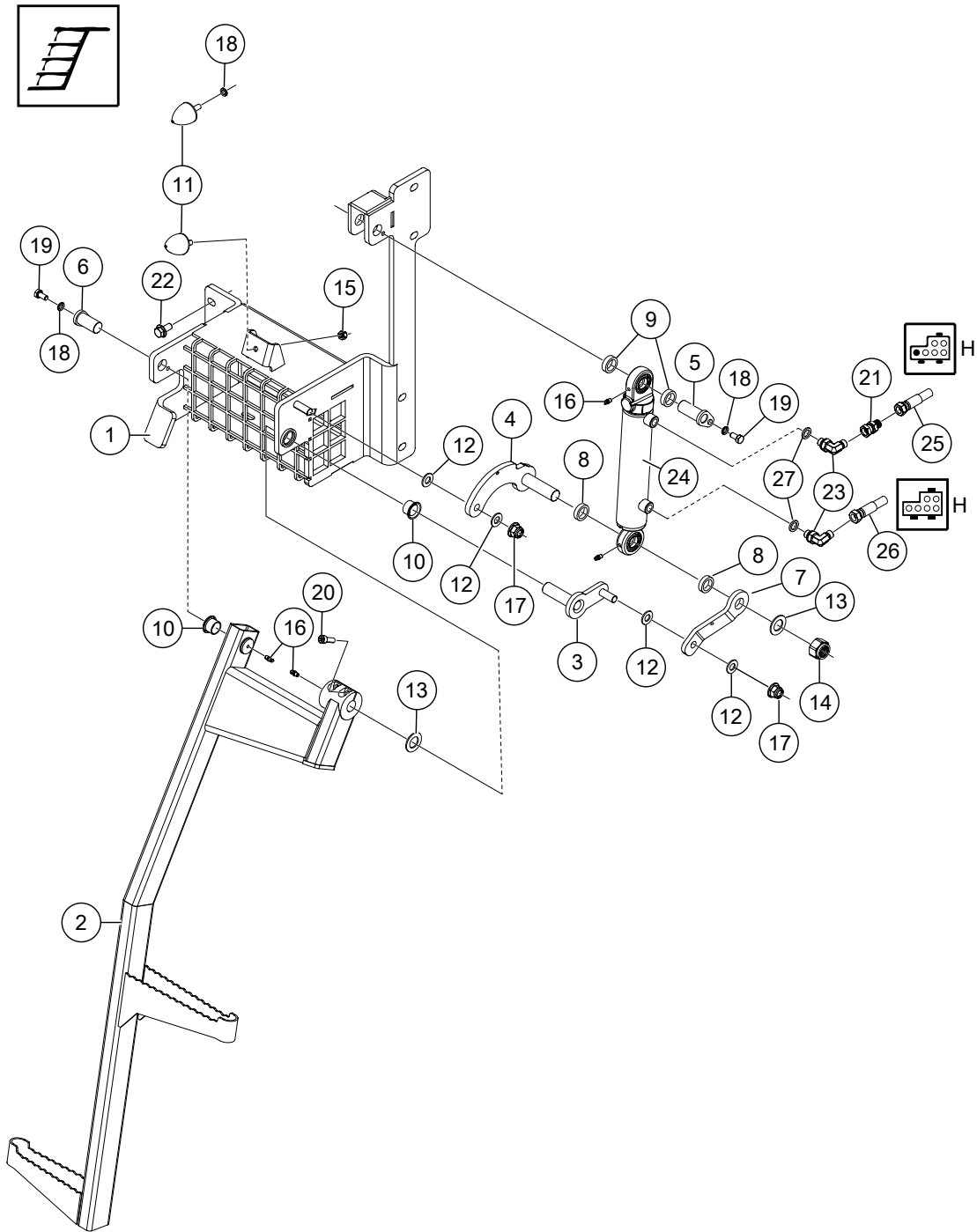


000411

Cab lift, valve and pump

Pos	Art.	Qty.	Description	Remarks
1	KT-790602	1 pc	Lever for hand pump	
2	KT-790601	1 pc	Hand pump	20ccm/twin stroke
3	09-266194	3 pcs	Flange screw	M6SF 8x50 8.8 FZB
4	09-265505	3 pcs	Lock nut	LM6MF 8 FZB
5	KT-56010104	6 pcs	Rubber steel washer	1/4"
6	KT-70020404	6 pcs	Adapter	1/4"UF-1/4"UF
7	KT-72050404	2 pcs	Angle adapter	1/4"UF-1/4IR 90°
8	TS-123032	1 pc	Hydraulic hose	3/8" L=320 mm Straight-45°
9	TS-112095	1 pc	Hydraulic hose	1/4" L=950 mm Straight-90°
10	TS-118177	1 pc	Hydraulic hose	1/4" L=1770 mm spec
11	KT-790603	1 pc	Valve block	
12	09-266779	2 pcs	Screw	M6S 6x50 FZB
13	KT-785036	2 pcs	Locking washer	Nordlock M6
14	TS-118177	2 pcs	Hydraulic hose	1/4" L=1770 mm
15	K6077-001	3 pcs	Flange screw	M6SF 10x20 8.8 FZB
16	TE-700303	1 pc	Lower bracket cab cylinder	
17	K6030-5	2 pcs	Stop screw hex	SK6SS 5 x 6
18	TE-700307	2 pcs	Pin cab cylinder	
19	KT-791205	1 pc	Hydraulic cylinder	
20	KT-72040606	2 pcs	Adjustable adapter	3/8"UF-3/8"UF 90° Stb
	KT-56010106	2 pcs	Rubber steel washer	3/8"
21	K6129	1 pc	Nut	M6M 6 FZB
	T4099298	1 pc	Stop screw	P6SS M6x16

Ladder

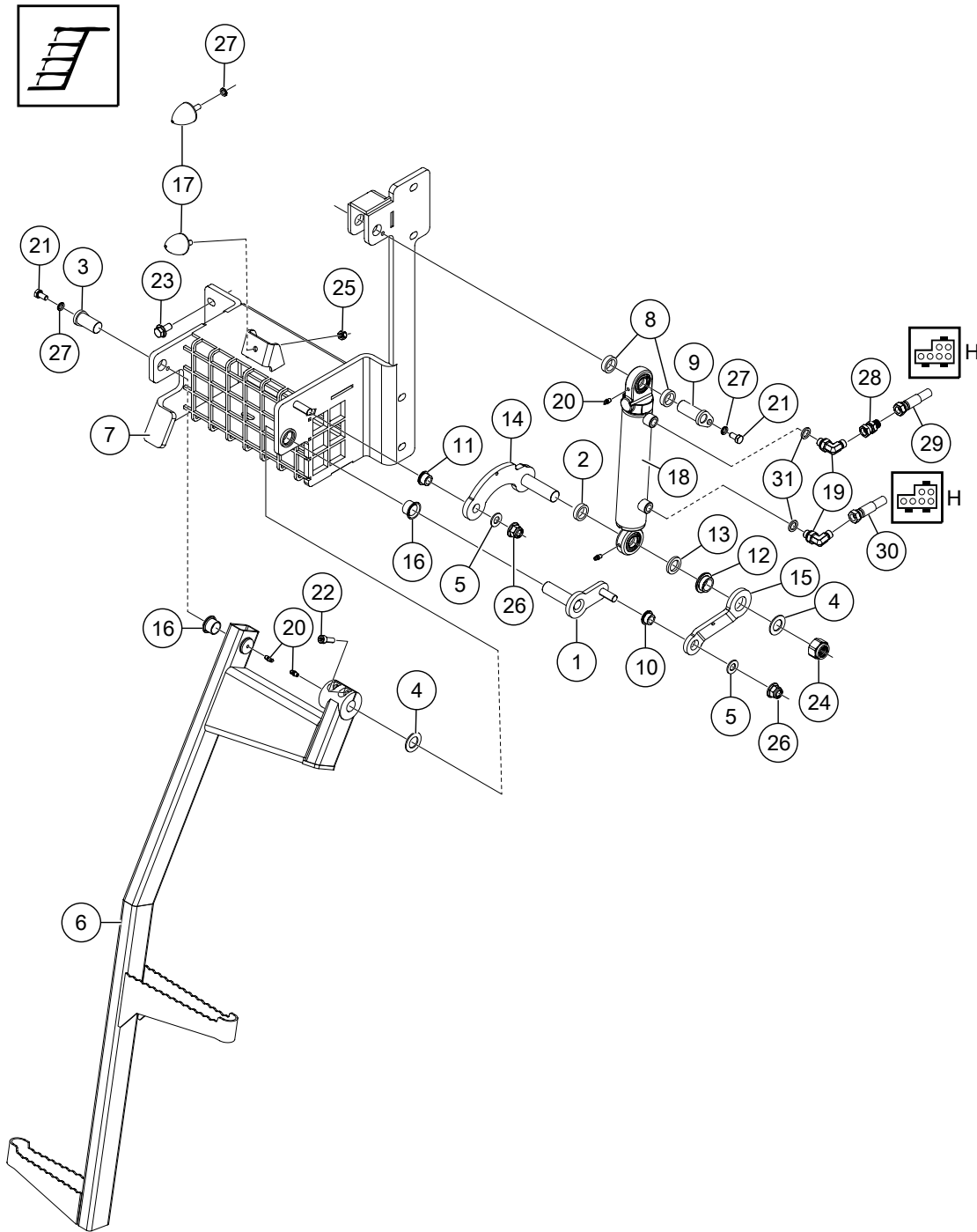


000453

Ladder

Pos	Art.	Qty.	Description	Remarks
	TE-710040		Ladder	Up to machine T23-028
1	TE-701681	1 pc	Bracket	
2	TE-701678	1 pc	Ladder	
3	TE-701509	1 pc	PTO shaft	
4	TE-701523	1 pc	Shaft	
5	TE-701685	1 pc	Pin	
6	TE-701554	1 pc	Pin	
7	TE-701529	1 pc	Link	
8	TE-701528	2 pcs	Spacer	Lower
9	TE-701684	2 pcs	Spacer	Upper
10	KT-791018	2 pcs	Sliding bearing	
11	KT-791025	2 pcs	Rubber stop	
12	TE-701565	4 pcs	Thrust washer	24x12.3x2 Bronze
13	TE-701564	2 pcs	Thrust washer	35x20.2x2 Bronze
14	K6135-12	1 pc	Lock nut	LM6M M20 8 FZB
15	K6134	1 pc	Lock nut	LM6M M8 8 FZB
16	KT-4600-100	4 pcs	Grease nipple	Straight M6
17	09-266030	2 pcs	Flange lock nut	LM6MF M12 8 FZB
18	K6163-004	3 pcs	Nordlock washer	M8
19	K6074-09	2 pcs	Hexagon head screw	M8x16
20	KT-6067-284	2 pcs	Hex screw	MC6S 8x25 12.9 Untr.
21	TE-702738	1 pc	Adapter with restrictor	1/4"-1/4" UF-IR
22	09-265702	6 pcs	Flange screw	M6SF 10x20 8.8 FZB
23	KT-72040404	2 pcs	Adjustable angle adapter	1/4"-1/4" 90° STB U-U
24	KT-791019	1 pc	Hydraulic cylinder	
	KT-791019-1	1 pc	Gasket set	
25	TS-112330	1 pc	Hydraulic hose	1/4" L=3300 mm
26	TS-112317	1 pc	Hydraulic hose	1/4" L=3170 mm
27	KT-56010104	2 pcs	Rubber steel washer	1/4"

Ladder

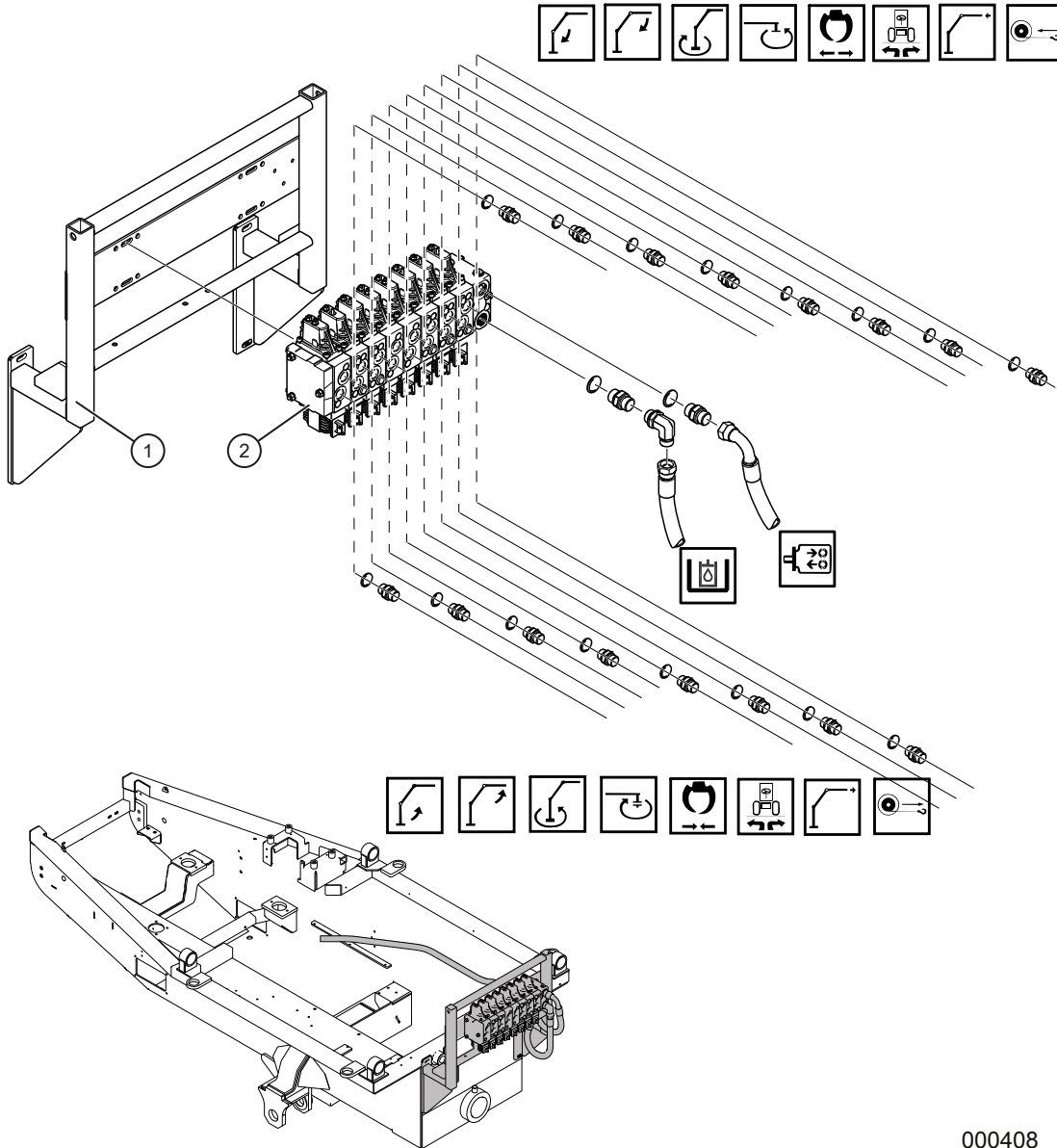
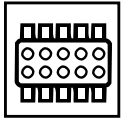


000576

Ladder

Pos	Art.	Qty.	Description	Remarks
	TM-710157		Ladder	From machine T23-029
1	TE-701509	1 pc	PTO shaft	
2	TE-701528	1 pc	Spacer	Lower
3	TE-701554	1 pc	Pin	
4	TE-701564	2 pcs	Thrust washer	35x20.2x2 Bronze
5	TE-701565	2 pcs	Thrust washer	24x12.3x2 Bronze
6	TE-701678	1 pc	Ladder	
7	TE-701681	1 pc	Bracket	
8	TE-701684	2 pcs	Spacer	Upper
9	TE-701685	1 pc	Pin	
10	KT-703485	1 pc	Bronze bushing	12/8.5 mm
11	KT-703486	1 pc	Bronze bushing	12/10.5 mm
12	KT-703487	1 pc	Bronze bushing	20/8.5 mm
13	TE-703488	1 pc	Spacer	Lower
14	TE-703489	1 pc	Shaft	
15	TE-703491	1 pc	Link	
16	KT-791018	2 pcs	Sliding bearing	
17	KT-791025	2 pcs	Rubber stop	
18	KT-791019	1 pc	Hydraulic cylinder	
	KT-791019-1	1 pc	Gasket set	
19	KT-72040404	2 pcs	Adjustable angle adapter	1/4"-1/4" 90° STB U-U
20	KT-4600-100	4 pcs	Grease nipple	Straight M6
21	K6074-09	2 pcs	Hexagon head screw	M8x16
22	KT-6067-284	2 pcs	Hex screw	MC6S 8x25 12.9 Untr.
23	09-265702	6 pcs	Flange screw	M6SF 10x20 8.8 FZB
24	K6135-12	1 pc	Lock nut	LM6M M20 8 FZB
25	K6134	1 pc	Lock nut	LM6M M8 8 FZB
26	09-266030	2 pcs	Flange lock nut	LM6MF M12 8 FZB
27	K6163-004	3 pcs	Nordlock washer	M8
28	TE-702738	1 pc	Adapter with restrictor	1/4"-1/4" UF-IR
29	TS-112330	1 pc	Hydraulic hose	1/4" L=3300 mm
30	TS-112317	1 pc	Hydraulic hose	1/4" L=3170 mm
31	KT-56010104	2 pcs	Rubber steel washer	1/4"

Crane valve with connections

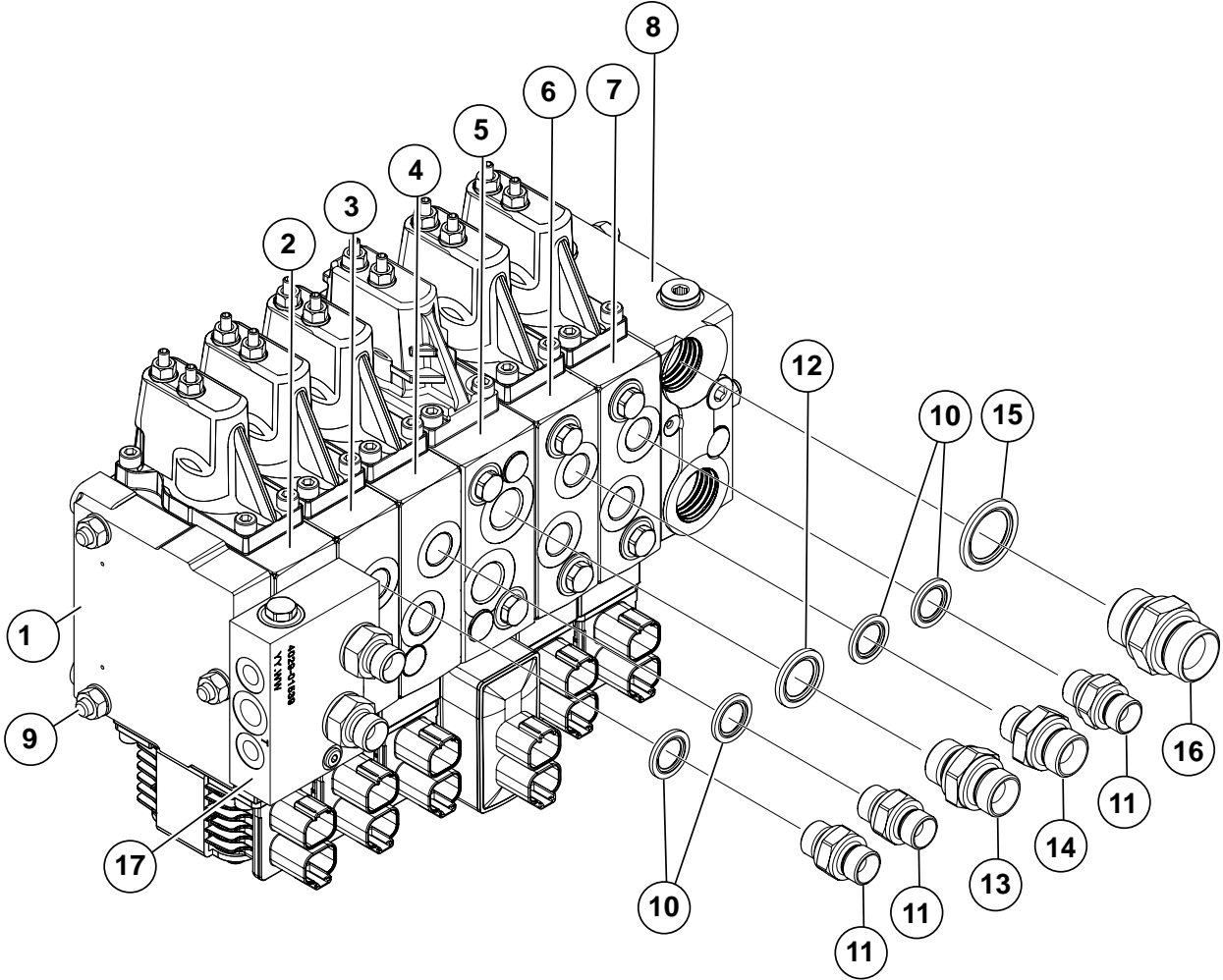
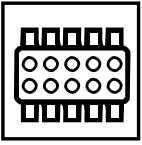


000408

Crane valve with connections

Pos	Art.	Qty.	Description	Remarks
1		1 pc	Mounting frame valve assembly, without rubber cover	See <i>Frame valve assembly, without rubber cover</i> , page 151.
		1 pc	Bracket valve assembly, with rubber cover	See <i>Frame valve assembly, without rubber cover</i> , page 153.
2	KT-791207		Crane valve	P40. CT/CW, FT/FW. See <i>Crane valve - P40 - CT/CW/FT/FW</i> , page 99.
	KT-791208		Crane valve	P30T/P40T/5.72. FW. See <i>Crane valve - P30T/P40T - FW</i> , page 103
	KT-791307		Crane valve	P40 with option. CT/CW, FT/FW. See <i>Crane valve - P40 - CT/CW/FT/FW</i> , page 107.
	KT-791308		Crane valve	P30T/P40T with option. FW. P40T/P61T. HW. See <i>Crane valve - P30T/P40T - FW - P40T/P61T - HW</i> , page 111

Crane valve - P40 - CT/CW/FT/FW

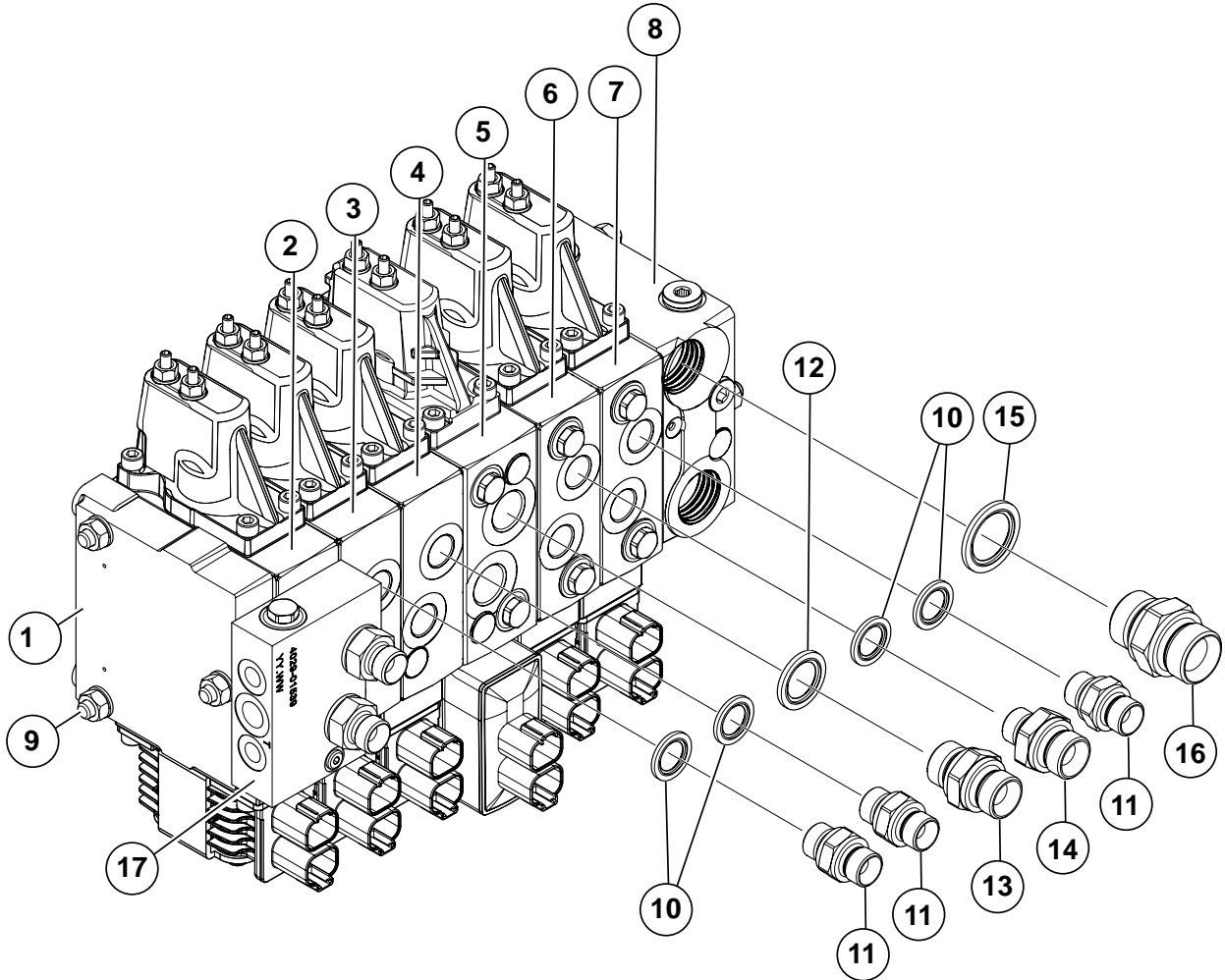
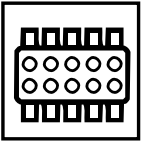


000580

Crane valve - P40 - CT/CW/FT/FW

Pos	Art.	Qty.	Description	Remarks
	KT-791207	1 pc	Crane valve	PVG16 6 Complete
1	KT-790754	1 pc	End plate	PVG16
2	KT-791222	1 pc	Basic module	Slew/Machine PVG16
	KT-240032		Power module	
	KT-791223		Lever housing	
	KT-791318		Main spool	25 L/min
	KT-791213		Cable	
	KT-791425		Termination resistor	
	KT-790887	1 pc	Plastic plug	
3	KT-791222	1 pc	Basic module	Grapple PVG16
	KT-240032		Power module	
	KT-791223		Lever housing	
	KT-791304		Main spool	65 l/min
	KT-791213		Cable	
	KT-790887	1 pc	Plastic plug	
4	KT-791222	1 pc	Basic module	Rotator PVG16
	KT-240032		Power module	
	KT-791223		Lever housing	
	KT-791317		Main spool	10 l/min
	KT-791213		Cable	
	KT-790887	1 pc	Plastic plug	
5	KT-790960	1 pc	Basic module	Stick PVG32
	KT-240033		Power module	
	KT-791424		Lever housing	
	KT-791423		Main spool	40 l/min
	KT-790725		Relief valve A-port	210 bar
	KT-790725		Relief valve B-port	210 bar
	KT-791213		Cable	
	KT-790887	2 pcs	Plastic plug	
6	KT-791303	1 pc	Basic module	Boom PVG16
	KT-240032		Power module	
	KT-791223		Lever housing	
	KT-791224		Main spool	40 l/min
	KT-791319		Relief valve A-port	100 bar
	KT-791281		Relief valve B-port	190 bar
	KT-791213		Cable	

Crane valve - P40 - CT/CW/FT/FW

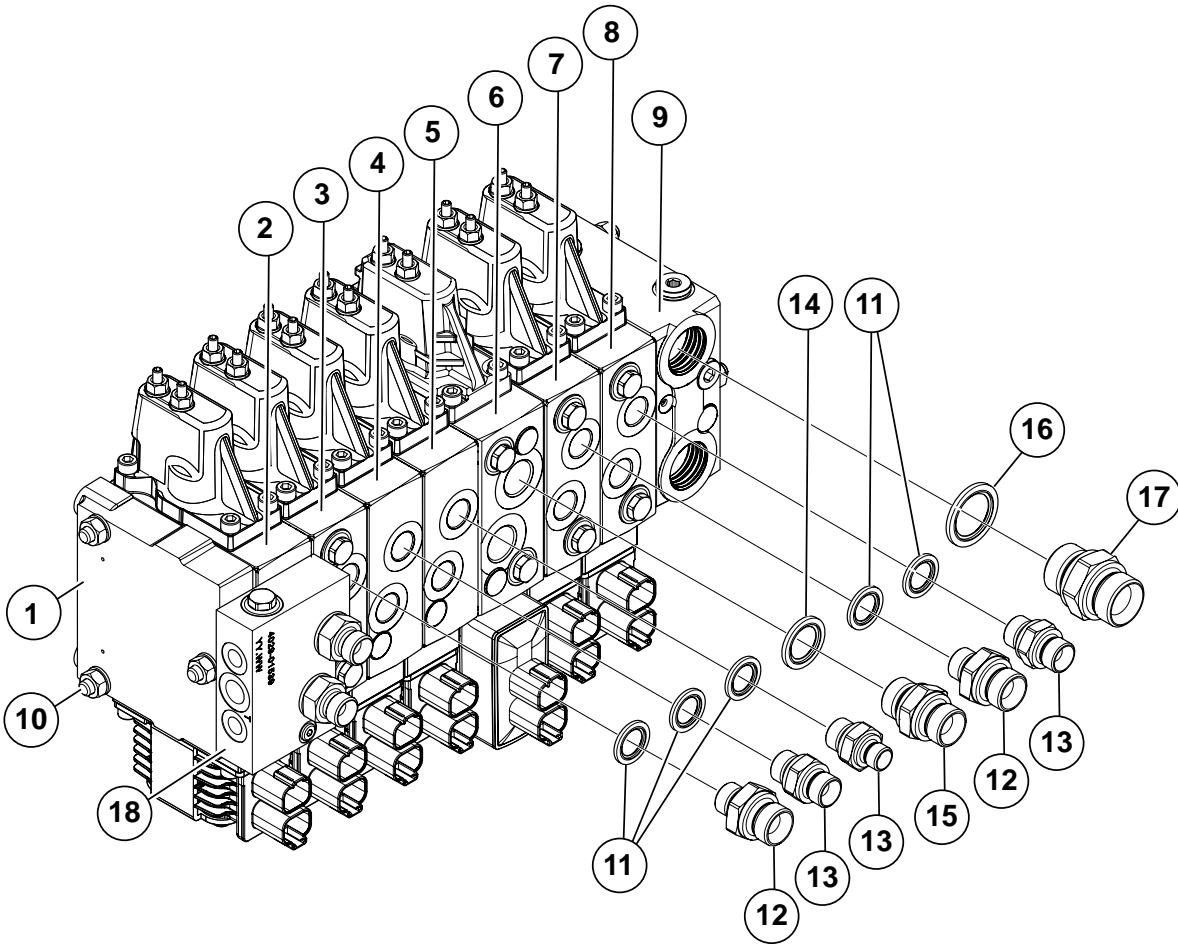
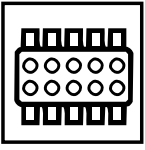


000580

Crane valve - P40 - CT/CW/FT/FW

Pos	Art.	Qty.	Description	Remarks
	KT-790887	1 pc	Plastic plug	
7	KT-791303	1 pc	Basic module	Crane Slew PVG16
	KT-240032		Power module	
	KT-791223		Lever housing	
	KT-791318		Main spool	25 L/min
	KT-791102		Relief valve A-port	140 bar
	KT-791102		Relief valve B-port	140 bar
	KT-791213		Cable	
	KT-790887	1 pc	Plastic plug	
8	KT-790818	1 pc	Frame side	Inlet
9	KT-790977		Draw rod	Including O-rings/seals
10	KT-56010106	8 pcs	Rubber steel washer	3/8"
11	KT-70020606	6 pcs	Adapter	3/8"UF-3/8"UF
12	KT-56010108	2 pcs	Rubber steel washer	1/2"
13	KT-70020808	2 pcs	Adapter	1/2"UF-1/2"UF
14	KT-70020608	2 pcs	Adapter	3/8"UF-1/2"UF
15	KT-56010112	2 pcs	Rubber steel washer	3/4"
16	KT-70021212	2 pcs	Adapter	3/4"UF-3/4"UF
17	KT-791228	1 pc	External relief block	
	KT-790011		Relief valve A-port	160 bar
	KT-790011		Relief valve B-port	160 bar

Crane valve - P30T/P40T - FW

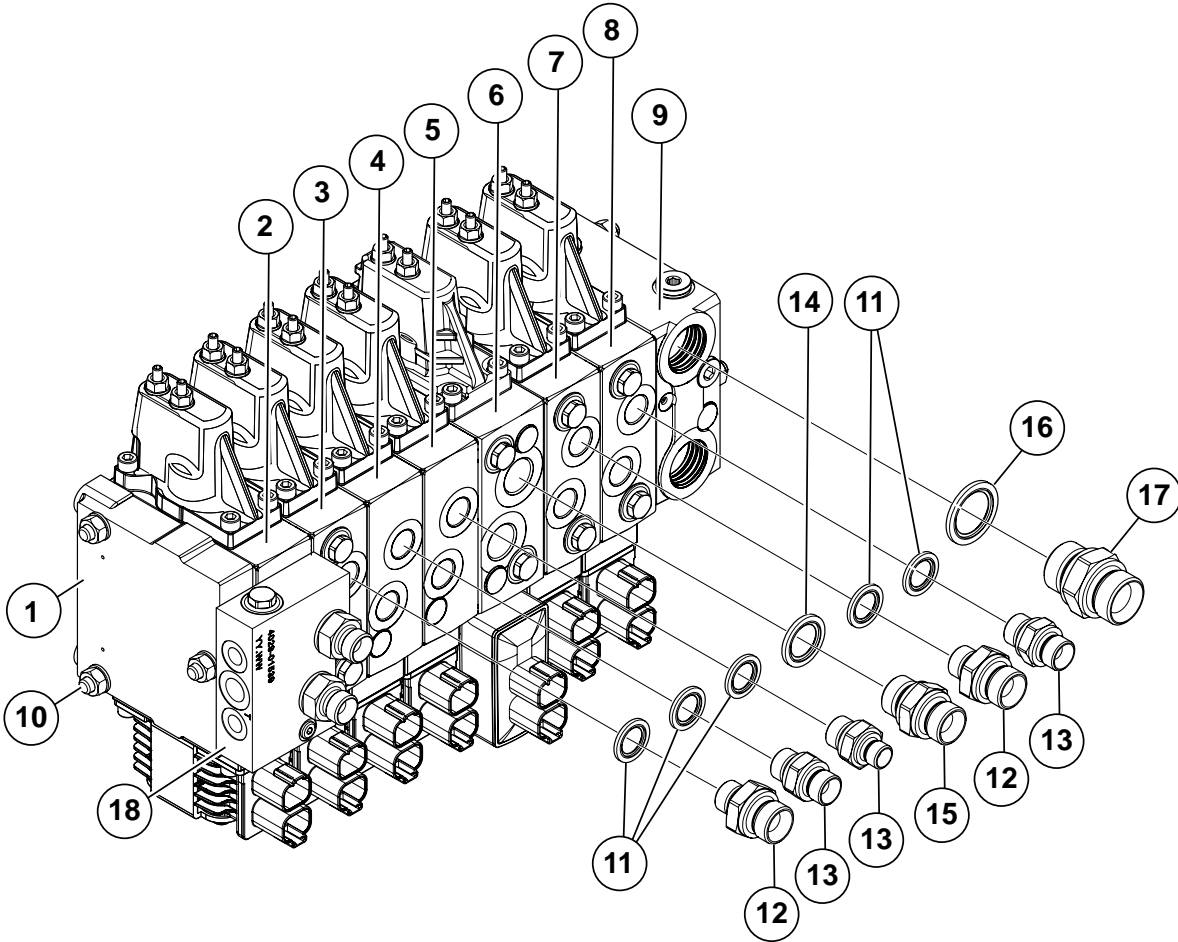
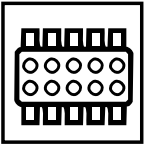


000579

Crane valve - P30T/P40T - FW

Pos	Art.	Qty.	Description	Remarks
	KT-791208	1 pc	Crane valve	PVG16 7 Complete
1	KT-790754	1 pc	End plate	PVG16
2	KT-791222	1 pc	Basic module	Slew/Machine PVG16
	KT-240032		Power module	
	KT-791223		Lever housing	
	KT-791318		Main spool	25 L/min
	KT-791213		Cable	
	KT-791425		Termination resistor	
	KT-790887	2 pcs	Plastic plug	
3	KT-791303	1 pc	Basic module	Extension PVG16
	KT-240032		Power module	
	KT-791223		Lever housing	
	KT-791304		Main spool	65 l/min
	KT-791102		Relief valve A-port	140 bar
	KT-791281		Relief valve B-port	190 bar
	KT-791213		Cable	
	KT-790887	1 pc	Plastic plug	
4	KT-791222	1 pc	Basic module	Grapple PVG16
	KT-240032		Power module	
	KT-791223		Lever housing	
	KT-791304		Main spool	65 l/min
	KT-791213		Cable	
	KT-790887	1 pc	Plastic plug	
5	KT-791222		Basic module	Rotator PVG16
	KT-240032		Power module	
	KT-791223		Lever housing	
	KT-791317		Main spool	10 l/min
	KT-791213		Cable	
	KT-790887	1 pc	Plastic plug	
6	KT-790960	1 pc	Basic module	Stick PVG32
	KT-240033		Power module	
	KT-791424		Lever housing	
	KT-791423		Main spool	40 l/min
	KT-790725		Relief valve A-port	210 bar
	KT-790725		Relief valve B-port	210 bar
	KT-791213		Cable	

Crane valve - P30T/P40T - FW

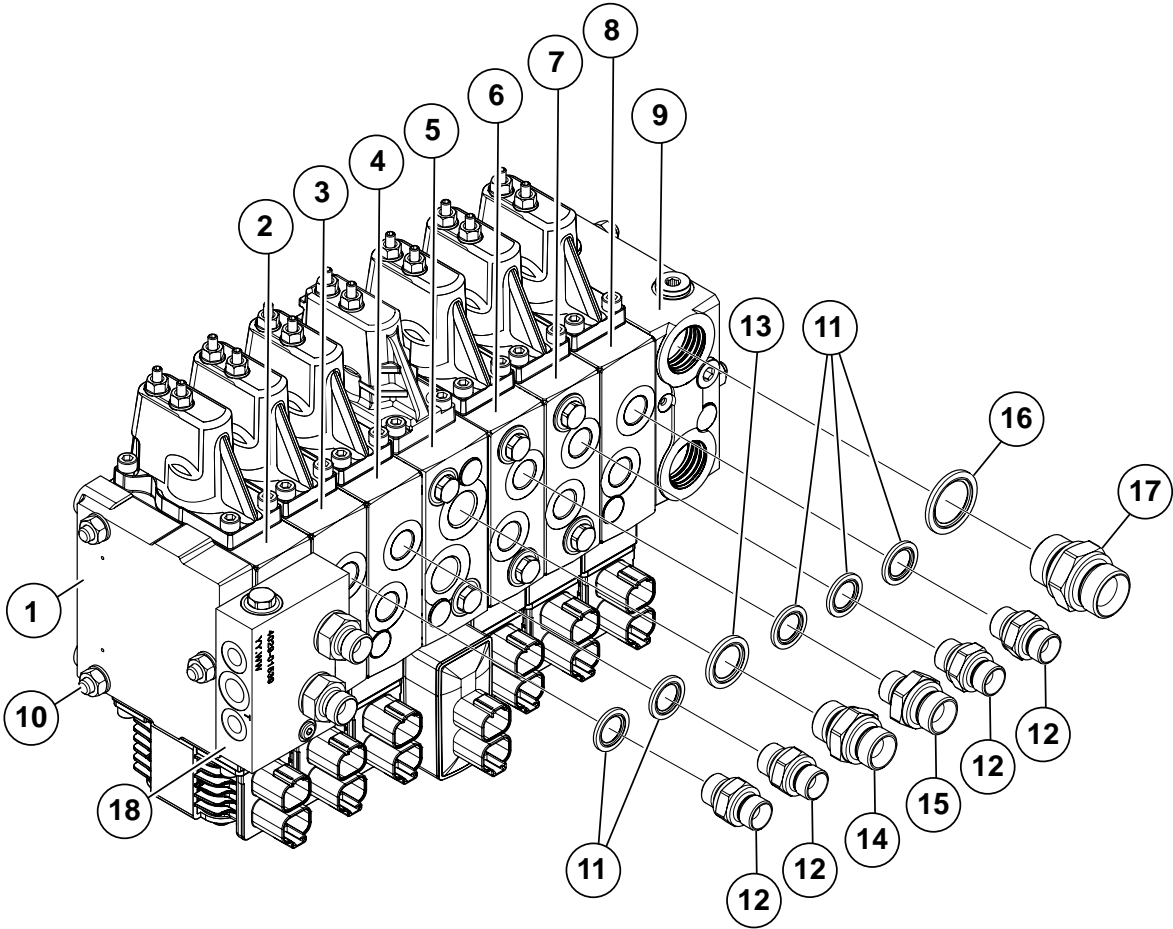
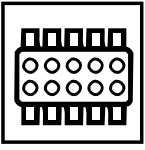


000579

Crane valve - P30T/P40T - FW

Pos	Art.	Qty.	Description	Remarks
	KT-790887	2 pcs	Plastic plug	
7	KT-791303	1 pc	Basic module	Boom PVG16
	KT-240032		Power module	
	KT-791223		Lever housing	
	KT-791224		Main spool	40 l/min
	KT-791319		Relief valve A-port	100 bar
	KT-791281		Relief valve B-port	190 bar
	KT-791213		Cable	
	KT-790887	1 pc	Plastic plug	
8	KT-791303	1 pc	Basic module	Crane Slew PVG16
	KT-240032		Power module	
	KT-791223		Lever housing	
	KT-791318		Main spool	25 L/min
	KT-791102		Relief valve A-port	140 bar
	KT-791102		Relief valve B-port	140 bar
	KT-791213		Cable	
	KT-790887	1 pc	Plastic plug	
9	KT-790818	1 pc	Frame side	Inlet
10	KT-790977		Draw rod	Including O-rings/seals
11	KT-56010106	10 pcs	Rubber steel washer	3/8"
12	KT-70020608	4 pcs	Adapter	3/8"UF-1/2"UF
13	KT-70020606	6 pcs	Adapter	3/8"UF-3/8"UF
14	KT-56010108	2 pcs	Rubber steel washer	1/2"
15	KT-70020808	2 pcs	Adapter	1/2"UF-1/2"UF
16	KT-56010112	2 pcs	Rubber steel washer	3/4"
17	KT-70021212	2 pcs	Adapter	3/4"UF-3/4"UF
18	KT-791428	1 pc	External relief block	
	KT-790011		Relief valve A-port	160 bar
	KT-790011		Relief valve B-port	160 bar

Crane valve - P40 - CT/CW/FT/FW

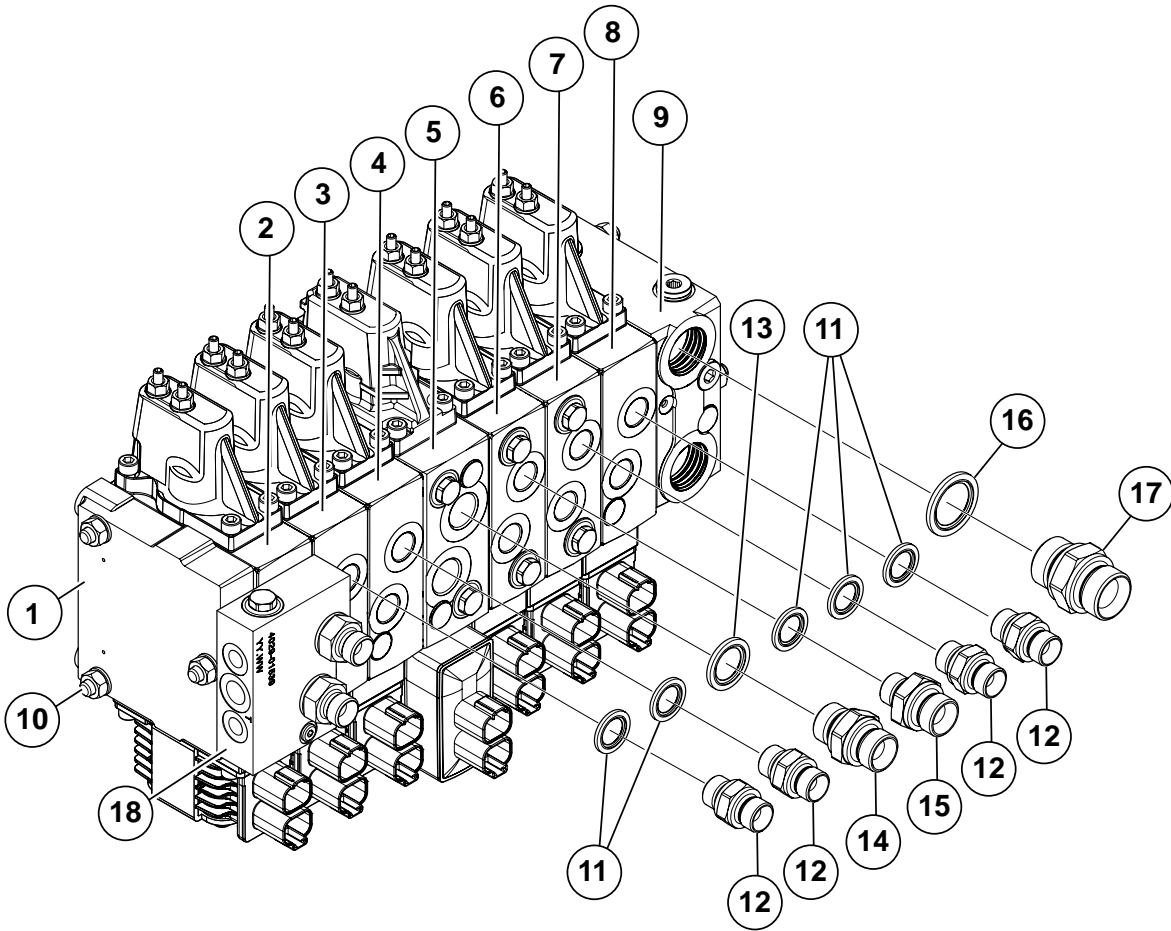
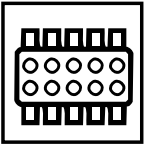


000581

Crane valve - P40 - CT/CW/FT/FW

Pos	Art.	Qty.	Description	Remarks
	KT-791307	1 pc	Crane valve	PVG16 7 Complete
1	KT-790754	1 pc	End plate	PVG16
2	KT-791222		Basic module	Slew/Machine PVG16
	KT-240032		Power module	
	KT-791223		Lever housing	
	KT-791318		Main spool	25 L/min
	KT-791213		Cable	
	KT-791425		Termination resistor	
	KT-790887	1 pc	Plastic plug	
3	KT-791222		Basic module	Grapple PVG16
	KT-240032		Power module	
	KT-791223		Lever housing	
	KT-791304		Main spool	65 l/min
	KT-791213		Cable	
	KT-790887	1 pc	Plastic plug	
4	KT-791222		Basic module	Rotator PVG16
	KT-240032		Power module	
	KT-791223		Lever housing	
	KT-791317		Main spool	10 l/min
	KT-791213		Cable	
	KT-790887	1 pc	Plastic plug	
5	KT-790960		Basic module	Stick PVG32
	KT-240033		Power module	
	KT-791424		Lever housing	
	KT-791423		Main spool	40 l/min
	KT-790725		Relief valve A-port	210 bar
	KT-790725		Relief valve B-port	210 bar
	KT-791213		Cable	
	KT-790887	2 pcs	Plastic plug	
6	KT-791303		Basic module	Boom PVG16
	KT-240032		Power module	
	KT-791223		Lever housing	
	KT-791224		Main spool	40 l/min
	KT-791319		Relief valve A-port	100 bar
	KT-791281		Relief valve B-port	190 bar
	KT-791213		Cable	

Crane valve - P40 - CT/CW/FT/FW

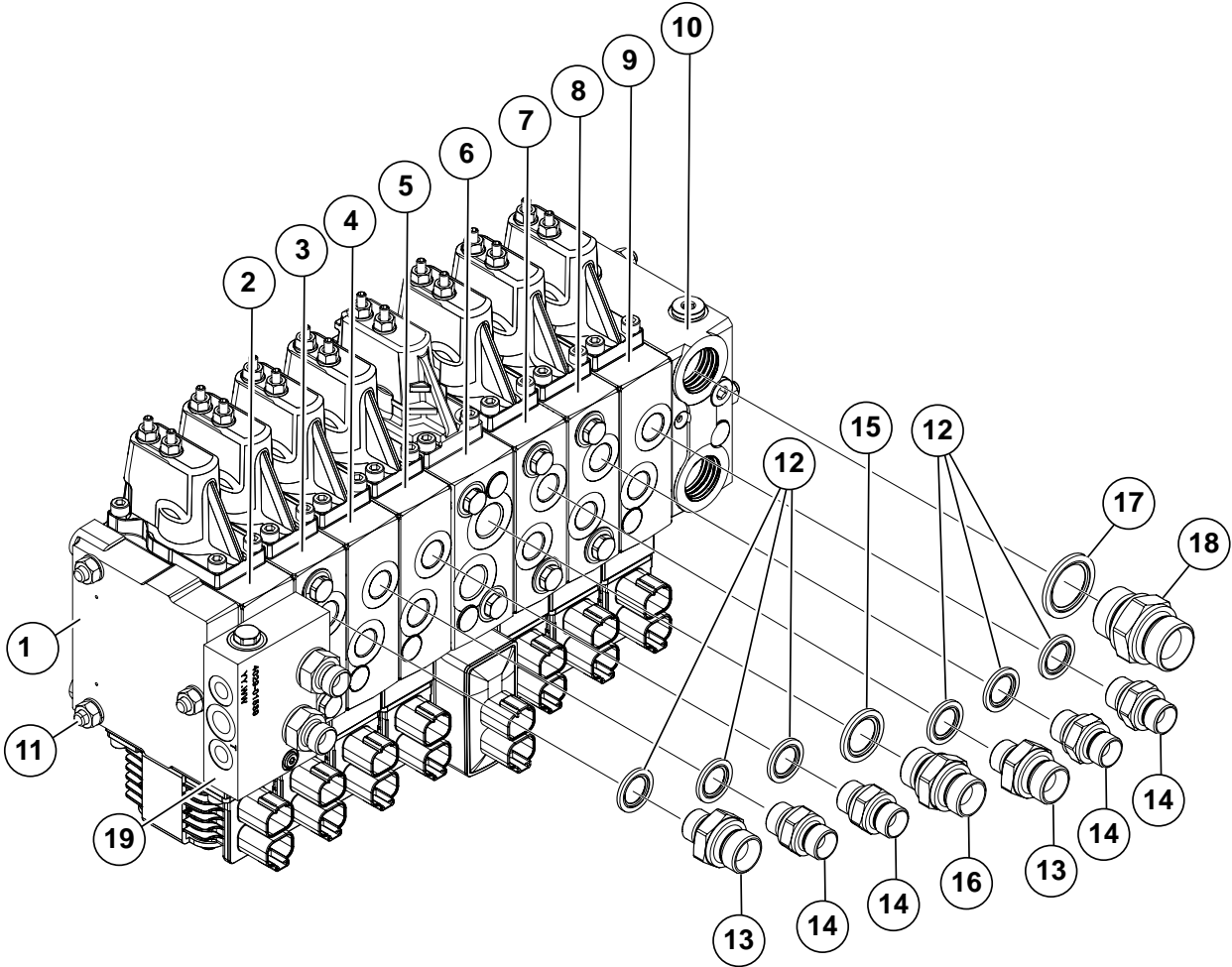
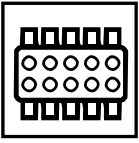


000581

Crane valve - P40 - CT/CW/FT/FW

Pos	Art.	Qty.	Description	Remarks
	KT-790887	1 pc	Plastic plug	
7	KT-791303		Basic module	Crane Slew PVG16
	KT-240032		Power module	
	KT-791223		Lever housing	
	KT-791318		Main spool	25 L/min
	KT-791102		Relief valve A-port	140 bar
	KT-791102		Relief valve B-port	140 bar
	KT-791213		Cable	
	KT-790887	1 pc	Plastic plug	
8	KT-791222		Basic module	Option PVG16
	KT-240032		Power module	
	KT-791223		Lever housing	
	KT-791224		Main spool	40 l/min
	KT-791213		Cable	
	KT-790887	1 pc	Plastic plug	
9	KT-790818	1 pc	Frame side	Inlet
10	KT-790977		Draw rod	Including O-rings/seals
11	KT-56010106	10 pcs	Rubber steel washer	3/8"
12	KT-70020606	8 pcs	Adapter	3/8"UF-3/8"UF
13	KT-56010108	2 pcs	Rubber steel washer	1/2"
14	KT-70020808	2 pcs	Adapter	1/2"UF-1/2"UF
15	KT-70020608	2 pcs	Adapter	3/8"UF-1/2"UF
16	KT-56010112	2 pcs	Rubber steel washer	3/4"
17	KT-70021212	2 pcs	Adapter	3/4"UF-3/4"UF
18	KT-791428	1 pc	External relief block	
	KT-790011		Relief valve A-port	160 bar
	KT-790011		Relief valve B-port	160 bar

Crane valve - P30T/P40T - FW - P40T/P61T - HW

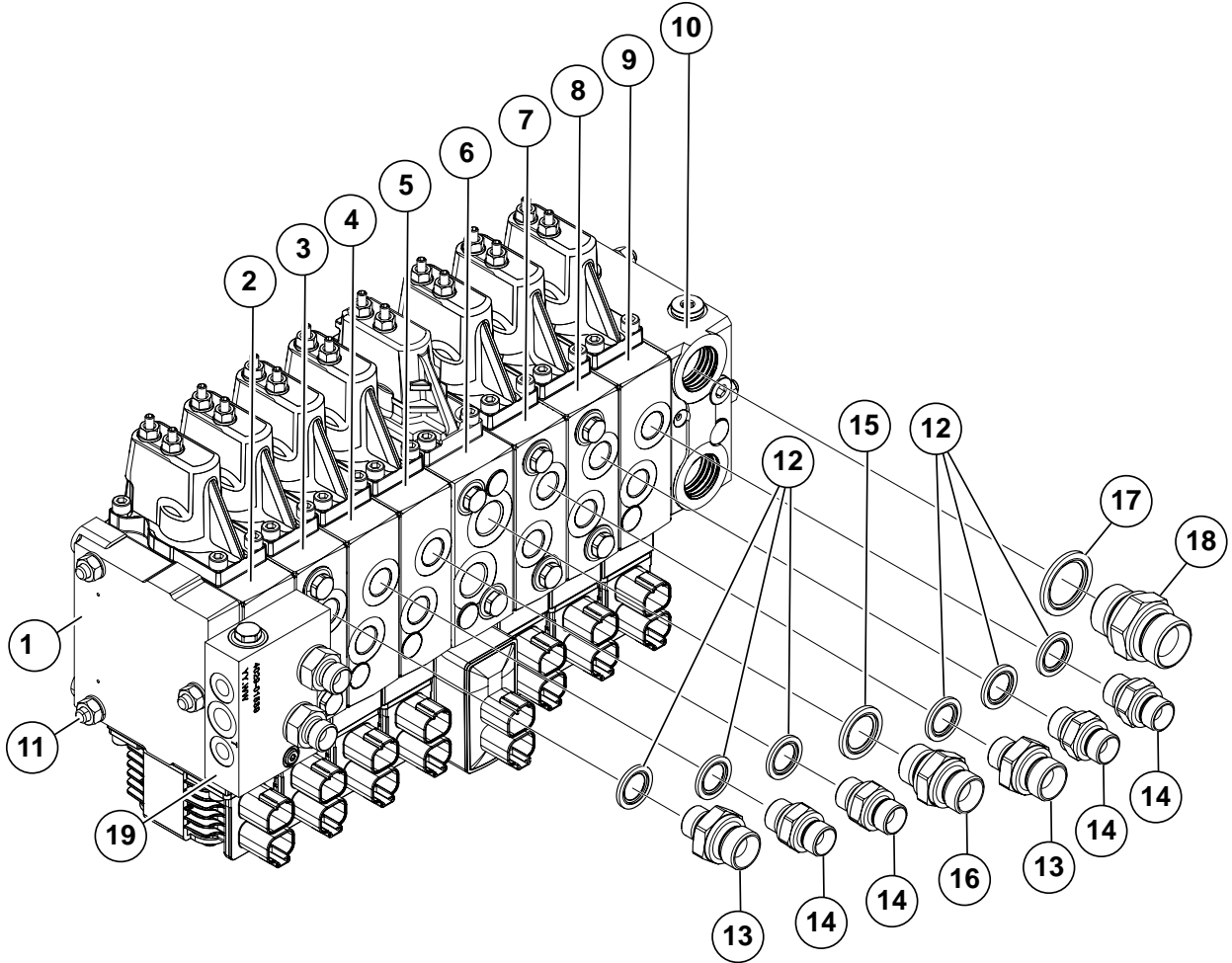
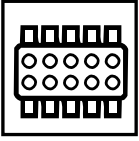


000578

Crane valve - P30T/P40T - FW - P40T/P61T - HW

Pos	Art.	Qty.	Description	Remarks
	KT-791308	1 pc	Crane valve	PVG16 7 + option Complete
1	KT-790754	1 pc	End plate	PVG16
2	KT-791222	1 pc	Basic module	Slew/Machine PVG16
	KT-240032		Power module	
	KT-791223		Lever housing	
	KT-791318		Main spool	25 L/min
	KT-791213		Cable	
	KT-791425		Termination resistor	
	KT-790887	1 pc	Plastic plug	
3	KT-791303	1 pc	Basic module	Extension PVG16
	KT-240032		Power module	
	KT-791223		Lever housing	
	KT-791304		Main spool	65 l/min
	KT-791102		Relief valve A-port	140 bar
	KT-791281		Relief valve B-port	190 bar
	KT-791213		Cable	
	KT-790887	1 pc	Plastic plug	
4	KT-791222	1 pc	Basic module	Grapple (FW) alt. Levelling (HW) PVG16
	KT-240032		Power module	
	KT-791223		Lever housing	
	KT-791304		Main spool	65 l/min
	KT-791213		Cable	
	KT-790887	1 pc	Plastic plug	
5	KT-791222	1 pc	Basic module	Rotator PVG16
	KT-240032		Power module	
	KT-791223		Lever housing	
	KT-791317		Main spool	10 l/min
	KT-791213		Cable	
	KT-790887	1 pc	Plastic plug	
6	KT-790960	1 pc	Basic module	Stick PVG32
	KT-240033		Power module	
	KT-791424		Lever housing	
	KT-791423		Main spool	40 l/min
	KT-790725		Relief valve A-port	210 bar
	KT-790725		Relief valve B-port	210 bar
	KT-791213		Cable	

Crane valve - P30T/P40T - FW - P40T/P61T - HW



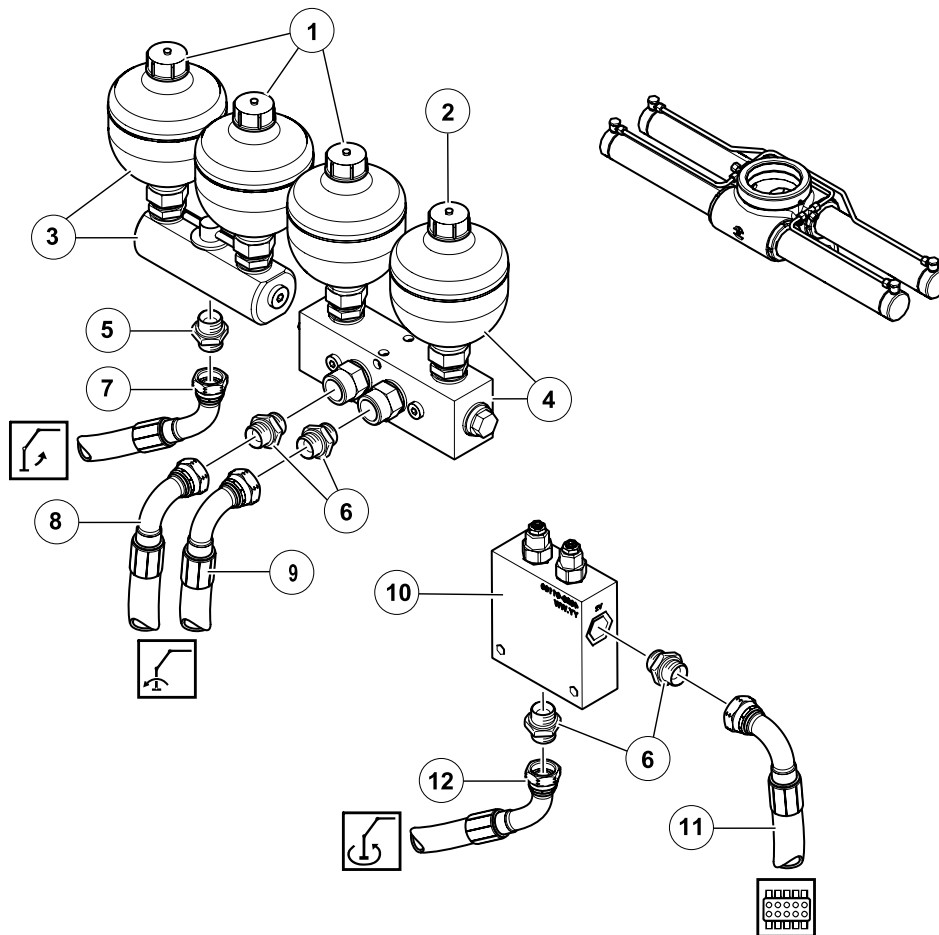
000578

Crane valve - P30T/P40T - FW - P40T/P61T - HW

Pos	Art.	Qty.	Description	Remarks
	KT-790887	2 pcs	Plastic plug	
7	KT-791303	1 pc	Basic module	Boom PVG16
	KT-240032		Power module	
	KT-791223		Lever housing	
	KT-791224		Main spool	40 l/min
	KT-791319		Relief valve A-port	100 bar
	KT-791281		Relief valve B-port	190 bar
	KT-791213		Cable	
	KT-790887	1 pc	Plastic plug	
8	KT-791303	1 pc	Basic module	Crane Slew PVG16
	KT-240032		Power module	
	KT-791223		Lever housing	
	KT-791318		Main spool	25 L/min
	KT-791102		Relief valve A-port	140 bar
	KT-791102		Relief valve B-port	140 bar
	KT-791213		Cable	
	KT-790887	1 pc	Plastic plug	
9	KT-791222	1 pc	Basic module	Option PVG16
	KT-240032		Power module	
	KT-791223		Lever housing	
	KT-791224		Main spool	40 l/min
	KT-791213		Cable	
	KT-790887	1 pc	Plastic plug	
10	KT-790818	1 pc	Frame side	Inlet
11	KT-790616		Draw rod	Including O-rings/seals
12	KT-56010106	12 pcs	Rubber steel washer	3/8"
13	KT-70020608	4 pcs	Adapter	3/8"UF-1/2"UF
14	KT-70020606	8 pcs	Adapter	3/8"UF-3/8"UF
15	KT-56010108	2 pcs	Rubber steel washer	1/2"
16	KT-70020808	2 pcs	Adapter	1/2"UF-1/2"UF
17	KT-56010112	2 pcs	Rubber steel washer	3/4"
18	KT-70021212	2 pcs	Adapter	3/4"UF-3/4"UF
19	KT-791428	1 pc	External relief block	
	KT-790011		Relief valve A-port	160 bar
	KT-790011		Relief valve B-port	160 bar

5 CRANE

Accumulators and overcentre valve

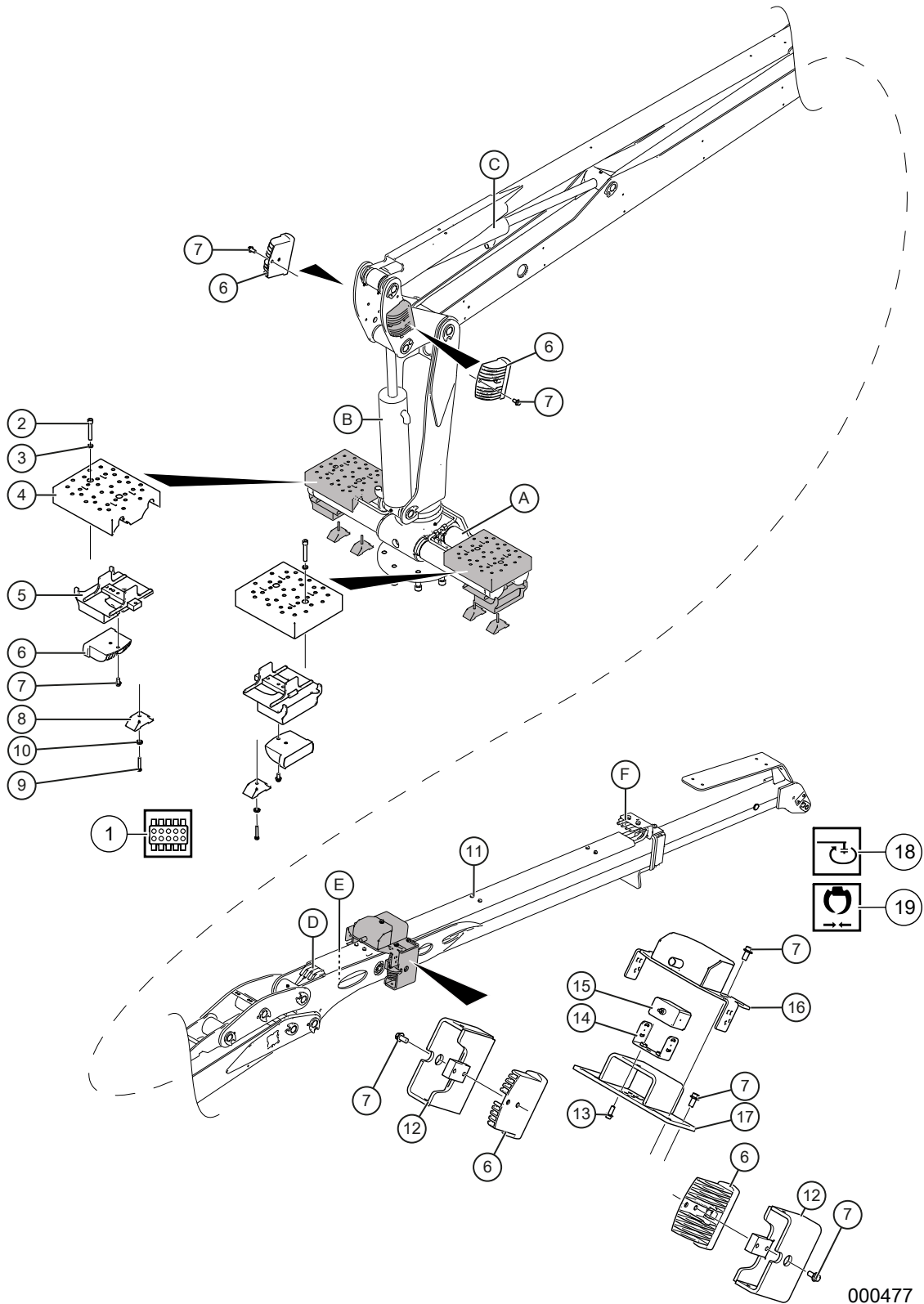


000114

Accumulators and overcentre valve

Pos	Art.	Qty.	Description	Remarks
1	KT-791197	3 pcs	Accumulator	4.0 MPa. Extra equipment
2	KT-791198	1 pc	Accumulator	5.5 MPa. Extra equipment
3	KT-791110	1 pc	Load absorber crane LD 650	Extra equipment
4	KT-791111	1 pc	Sway damper crane 652	Extra equipment
5	KT-70020808	1 pc	Adapter	1/2"UF-1/2"UF
6	KT-70020608	4 pcs	Adapter	3/8"UF-1/2"UF
7	TS-133170	1 pc	Hydraulic hose	1/2" L=1700 mm
8	TS-128070	1 pc	Hydraulic hose	3/8" L=700 mm
9	TS-128055	1 pc	Hydraulic hose	3/8" L=550 mm
10	KT-791100	1 pc	Overcenter w Crossover, double relief	
	KT-791101	1 pc	Standard housing	1/2" to the overcentre
	KT-790605	1 pc	Overcentre valve	3:1 set 130 bar
	KT-791102	2 pcs	Relief valve	140 bar
11	TS-122095	1 pc	Hydraulic hose	3/8" L=950 mm
12	TS-122060	1 pc	Hydraulic hose	3/8" L=600 mm

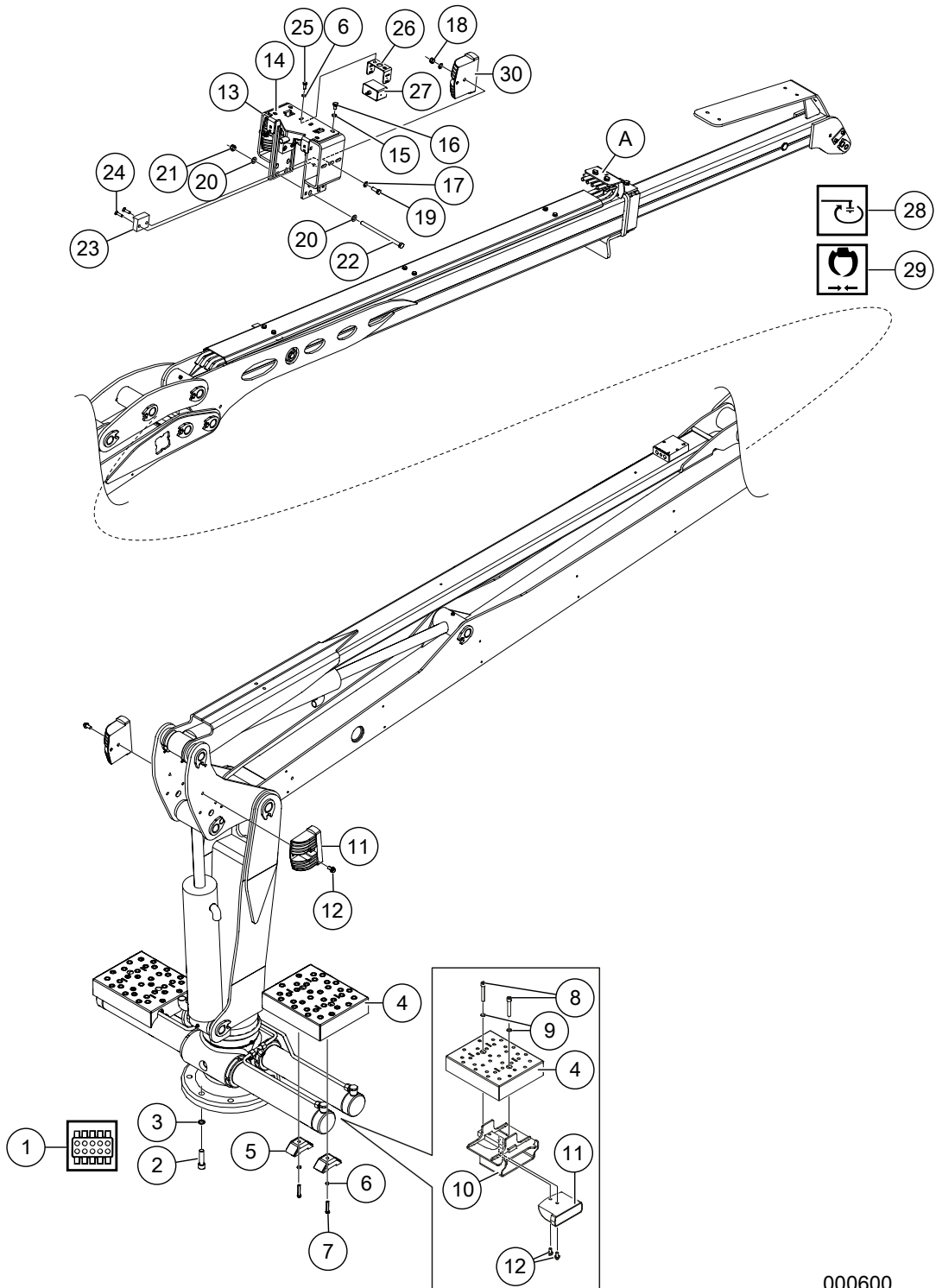
Crane P30T Forwarder



Crane P30T Forwarder

Pos	Art.	Qty.	Description	Remarks
				The parts below have been modified by Terri, for other spare parts see the sub-supplier documentation for the specific crane type.
1		1 pc	Crane valve	See <i>Crane valve with connections</i> , page 97.
2	09-266960	4 pcs	Hex screw	MC6S 12x75 8.8 FZB
3	K6163-000	4 pcs	Nordlock washer	M12
4	TE-702775	2 pcs	Step guard	
5	TE-702778	2 pcs	Guard work lights	
6	KT-791146	6 pcs	Work light	LED
7	09-265702	18 pcs	Flange screw	M6SFT 10x20 8.8 FZB
8	TE-700309	4 pcs	Attachment crane slewing cyl.	On machines without crane foot lighting
9	K6078-014	4 pcs	Screw	M6SH 10X50 8.8 FZB. On machines without crane foot lighting
10	K6163-003	4 pcs	Nordlock washer	M10
11	TE-702705	1 pc	Conversion lighting P30T rocker	
12	TE-702425	2 pcs	Guard work lights	Welded on rocker
13	K6077-001	2 pcs	Flange screw	M6SF 10X20 8.8 FZB
14	TE-702438	1 pc	Mount	
15	KT-791116-2	1 pc	Reversing camera	HD
16	TE-702494	1 pc	Cable guard	
17	TE-702430	1 pc	Camera mount	
18		1 pc	Rotator	See <i>Rotator</i> , page 133.
		1 pc	Link	See <i>Link/Slewing damper</i> , page 127.
		1 pc	Axle	See <i>Axle</i> , page 131.
19		1 pc	Grapple	See sub-supplier documentation
			HOSES	
1-A	TS-122070	2 pcs	Hydraulic hose	3/8" L=700 R-90. Crane slew
1-B	TS-121140	1 pc	Hydraulic hose	3/8" L=1400 R-R. Lift cylinder
	TS-121102	1 pc	Hydraulic hose	3/8" L=1250 R-R Lift cylinder
1-C	TS-121190	2 pcs	Hydraulic hose	3/8" L=1900 R-R. Tilt cylinder
	TS-121246	1 pc	Hydraulic hose	3/8" L=2460 R-R. Tilt cylinder
1-D	TS-128549	4 pcs	Hydraulic hose	3/8" L=5490 R-M18. Rotator, grapple
1-E	TS-121479	2 pcs	Hydraulic hose	3/8" L=4790. Extension cylinder
A	TS-122060	2 pcs	Hydraulic hose	3/8" L=600 R-90. Slewing cylinders
F-18	TS-128270	4 pcs	Hydraulic hose	3/8" L=2700 M18-90. Rotator
18-19	TS-122045	1 pc	Hydraulic hose	3/8" L=450 R-90. Grapple
	TS-122080	1 pc	Hydraulic hose	3/8" L=800 R-90. Grapple

Crane P30T Forwarder

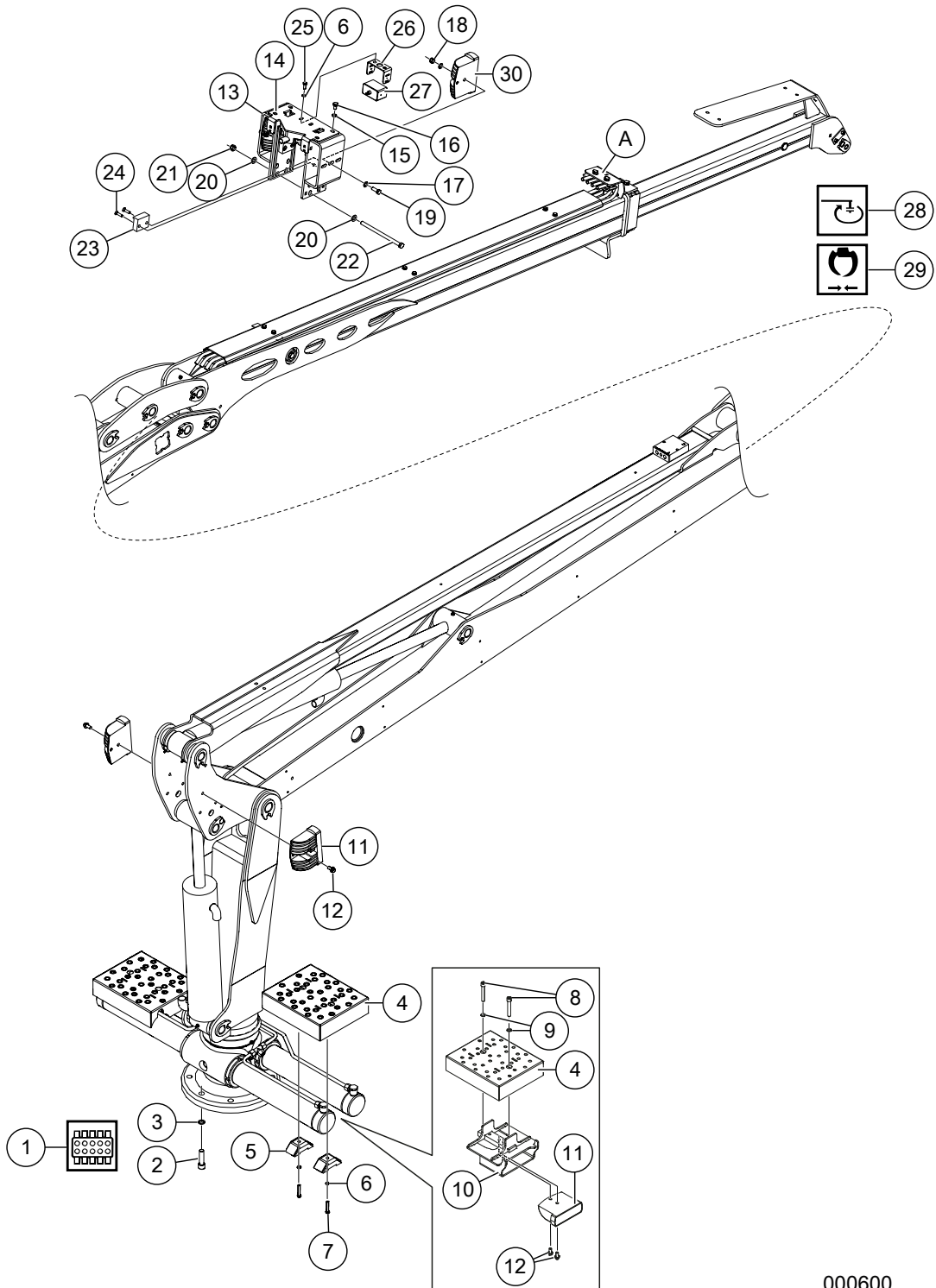


000600

Crane P30T Forwarder

Pos	Art.	Qty.	Description	Remarks
				The parts below have been modified by Terri, for other spare parts see the sub-supplier documentation for the specific crane type.
1		1 pc	Crane valve	See <i>Crane valve with connections</i> , page 97.
2	09-267810	7 pcs	Hex screw	MC6S 20x75 10.9 FZB
	09-267808	1 pc	Screw	M6SH 20x75 10.9 FZB
3	K6163-0020	8 pcs	Nordlock washer	NL M20
4	TE-702775	2 pcs	Step guard	
5	TE-700309	4 pcs	Bracket	
6	K6163-004	6 pcs	Nordlock washer	NL M8
7	K6076-330	4 pcs	Screw	M6S 8x50 8.8 FZB
8	09-266960	4 pcs	Hex screw	MC6S 12x75 8.8 FZB
9	K6163-000	4 pcs	Nordlock washer	NL M12
10	TE-702778	2 pcs	Guard work lights	
11	KT-791146	4 pcs	Work lights	LED
12	09-265702	6 pcs	Flange screw	M6SFT 10x20 8.8 FZB
13	TE-703218	2 pcs	Guard work lights	
14	TE-703223	1 pc	Camera mount	
15	K6163-003	4 pcs	Nordlock washer	NL M10
16	K6077-01	4 pcs	Screw	M6S 10x16 8.8 FZB
17	K6152	8 pcs	Flat washer	BRB M10 FZB
18	K6135	4 pcs	Lock nut	LM6M 10 8 FZB
19	K6077-02	4 pcs	Screw	M6S 10x30 8.8 FZB
20	K6152-050	4 pcs	Flat washer	BRB M12 FZB
21	K6135-1	2 pcs	Lock nut	M6M 12 Nylock
22	09-267589	2 pcs	Screw	M6S 12x200 8.8 FZB
23	TE-703229	2 pcs	Lug bracket	
24	K6085-03	4 pcs	Screw, countersunk	MF6S 8x30 8.8 FZB
25	K6075	2 pcs	Screw	M6S 8x20 8.8 FZB
26	TE-702438	1 pc	Mount	
27	KT-791116-2	1 pc	Camera/Reversing camera	HD
28		1 pc	Rotator	See <i>Rotator</i> , page 133.
		1 pc	Link	See <i>Link/Slewing damper</i> , page 127.
		1 pc	Axle	See <i>Axle</i> , page 131.
29		1 pc	Grapple	See sub-supplier documentation
30	KT-791551	2 pcs	Work lights	LED
			HOSES	
A-28	TS-128270	4 pcs	Hydraulic hose	3/8" L=2700 M18-90. Rotator

Crane P30T Forwarder

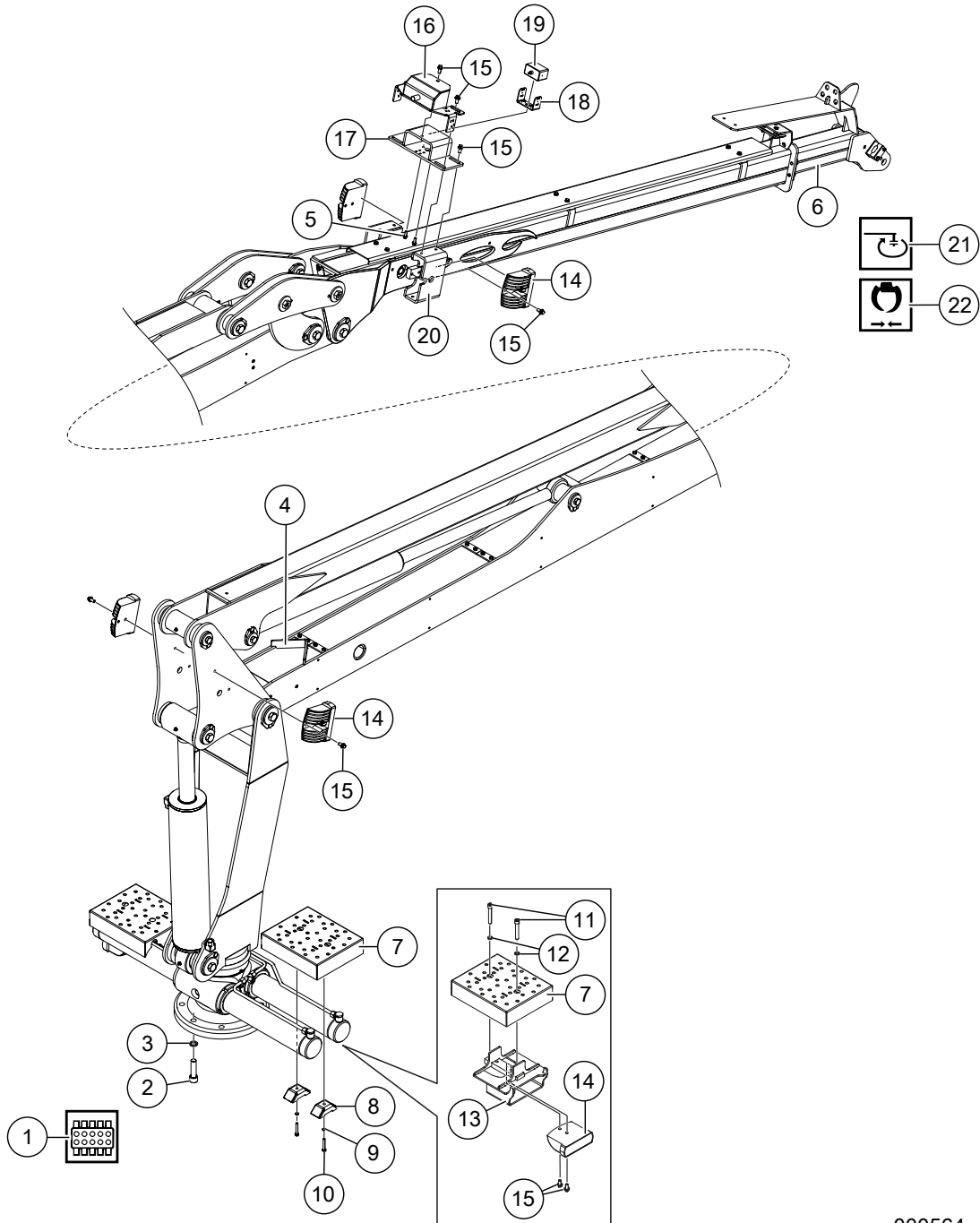


000600

Crane P30T Forwarder

Pos	Art.	Qty.	Description	Remarks
28-29	TS-122045	1 pc	Hydraulic hose	3/8" L=450 R-90. Grapple
	TS-122080	1 pc	Hydraulic hose	3/8" L=800 R-90. Grapple

Crane P40/P40T Forwarder

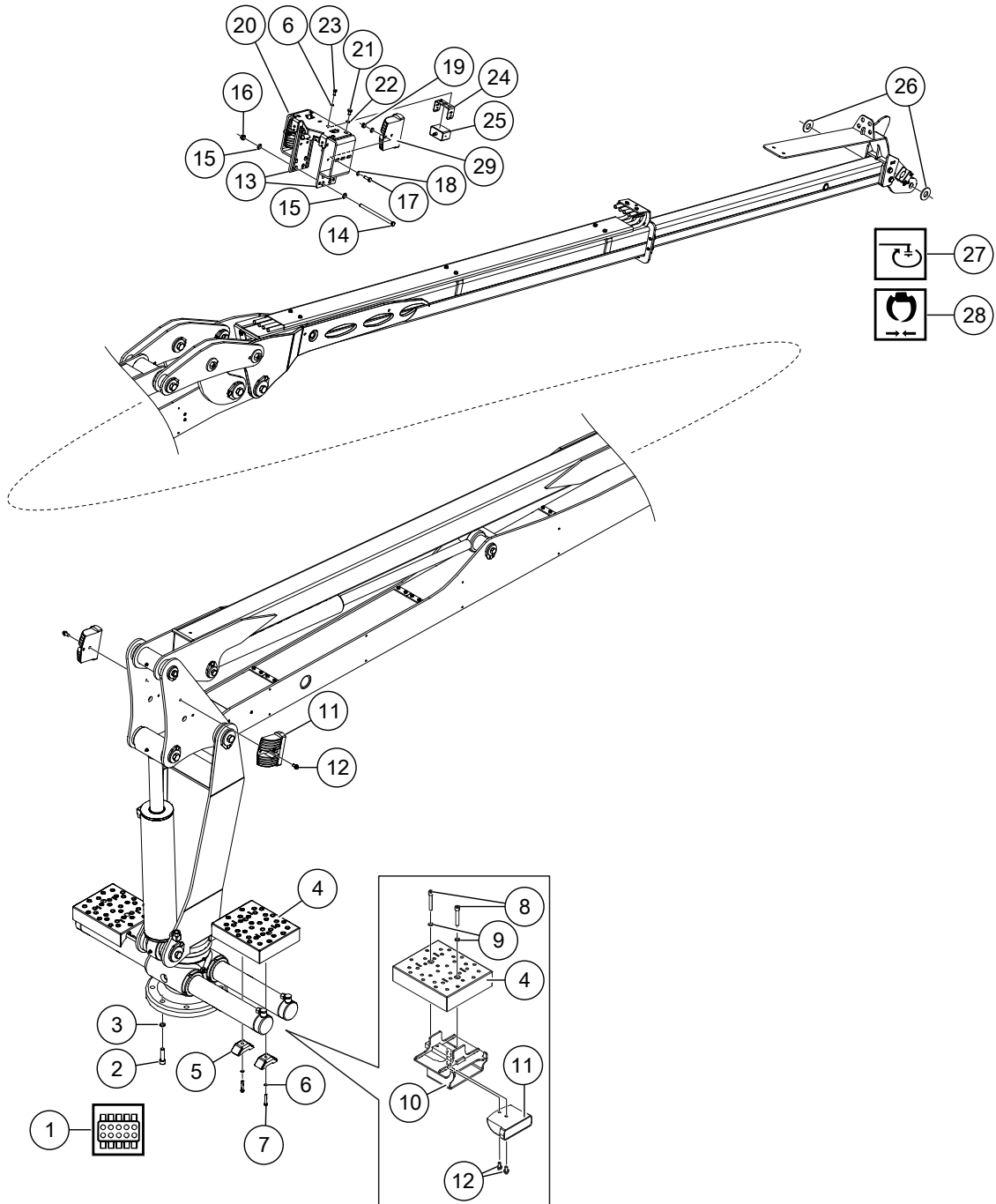


000564

Crane P40/P40T Forwarder

Pos	Art.	Qty.	Description	Remarks
				The parts below have been modified by Terri, for other spare parts see the sub-supplier documentation for the specific crane type.
1		1 pc	Crane valve	See <i>Crane valve with connections</i> , page 97.
2	09-267810	7 pcs	Hex screw	M6CS 20x75 10.9 FZB
	09-267808	1 pc	Screw	M6SH 20x75 10.9 FZB
3	K6163-0020	8 pcs	Nordlock washer	NL M20
4	TE-702824	1 pc	Guide plate	Welded
5	09-266036	2 pcs	Flange screw	M6SF 8x20 8.8 FZB
6	TE-702773	1 pc	Crane boom	Converted
7	TE-702775	2 pcs	Step guard	
8	TE-700309	4 pcs	Bracket	
9	K6163-004	4 pcs	Nordlock washer	NL M8
10	K6076-330	4 pcs	Screw	M6S 8x50 8.8 FZB
11	09-266960	4 pcs	Hex screw	MC6S 12x75 8.8 FZB
12	K6163-000	4 pcs	Nordlock washer	NL M12
13	TE-702778	2 pcs	Guard work lights	
14	KT-791146	6 pcs	Work lights	LED
15	09-265702	13 pcs	Flange screw	M6SFT 10x20 8.8 FZB
16	TE-702494	1 pc	Cable guard	Work lights/camera
17	TE-702430	1 pc	Camera mount	
18	TE-702438	1 pc	Mount	
19	KT-791116-2	1 pc	Camera/Reversing camera	HD
20	TE-702425	2 pcs	Guard work lights	
21		1 pc	Rotator	See <i>Rotator</i> , page 133.
		1 pc	Link	See <i>Link/Slewing damper</i> , page 127.
		1 pc	Axle	See <i>Axle</i> , page 131.
22		1 pc	Grapple	See sub-supplier documentation

Crane P40T Forwarder

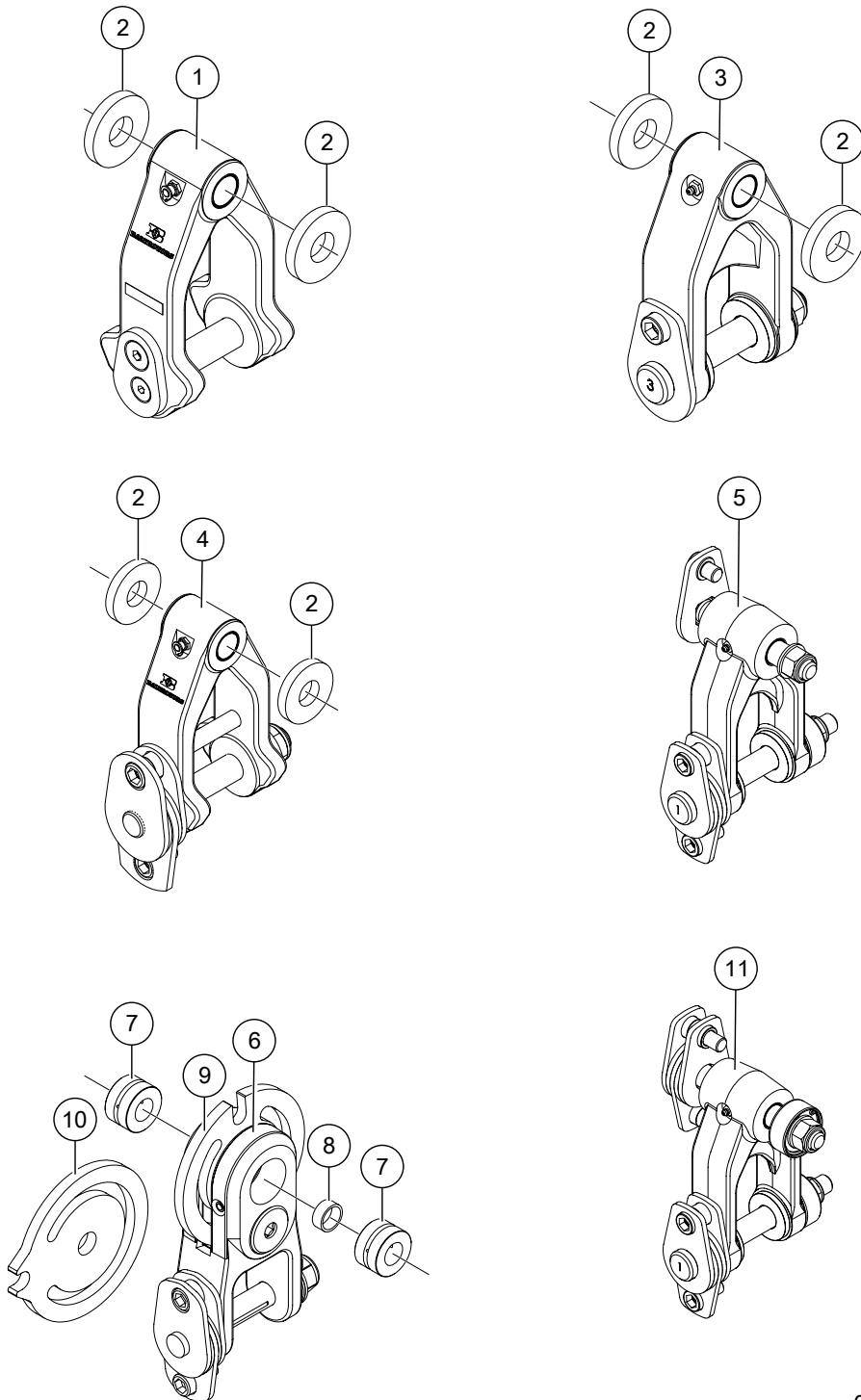


000599

Crane P40T Forwarder

Pos	Art.	Qty.	Description	Remarks
				The parts below have been modified by Terri, for other spare parts see the sub-supplier documentation for the specific crane type.
1		1 pc	Crane valve	See <i>Crane valve with connections</i> , page 97.
2	09-267810	7 pcs	Hex screw	M6CS 20x75 10.9 FZB
	09-267808	1 pc	Screw	M6SH 20x75 10.9 FZB
3	K6163-0020	8 pcs	Nordlock washer	NL M20
4	TE-702775	2 pcs	Step guard	
5	TE-700309	4 pcs	Bracket	
6	K6163-004	6 pcs	Nordlock washer	NL M8
7	K6076-330	4 pcs	Screw	M6S 8x50 8.8 FZB
8	09-266960	4 pcs	Hex screw	MC6S 12x75 8.8 FZB
9	K6163-000	4 pcs	Nordlock washer	NL M12
10	TE-702778	2 pcs	Guard work lights	
11	KT-791146	4 pcs	Work lights	LED
12	09-265702	6 pcs	Flange screw	M6SFT 10x20 8.8 FZB
13	TE-703218	2 pcs	Guard work lights	
14	09-267589	2 pcs	Screw	M6S 12x200 8.8 FZb
15	K615-050	4 pcs	Flat washer	BRB M12 FZB
16	K6135-1	2 pcs	Lock nut	M6M 12 Nyloc
17	K6077-02	4 pcs	Screw	M6S 10x30 8.8 FZB
18	K6152	4 pcs	Flat washer	BRB M10 8 FZB
19	K6135	4 pcs	Lock nut	LM6M 10 8 FZB
20	TE-703223	1 pc	Camera mount	
21	K6077-01	4 pcs	Screw	M6S 10x16 8.8 FZB
22	K6163-003	4 pcs	Nordlock washer	NL M10
23	K6075	2 pcs	Screw	M6S 8x20 8.8 FZB
24	TE-702438	1 pc	Mount	
25	KT-791116-2	1 pc	Camera/Reversing camera	HD
26	TE-703212	2 pcs	Spacer	Crane tip
27		1 pc	Rotator	See <i>Rotator</i> , page 133.
		1 pc	Link	See <i>Link/Slewing damper</i> , page 127.
		1 pc	Axle	See <i>Axle</i> , page 131.
28		1 pc	Grapple	See sub-supplier documentation
29	KT-791551	2 pcs	Work lights	LED

Link/Slewing damper

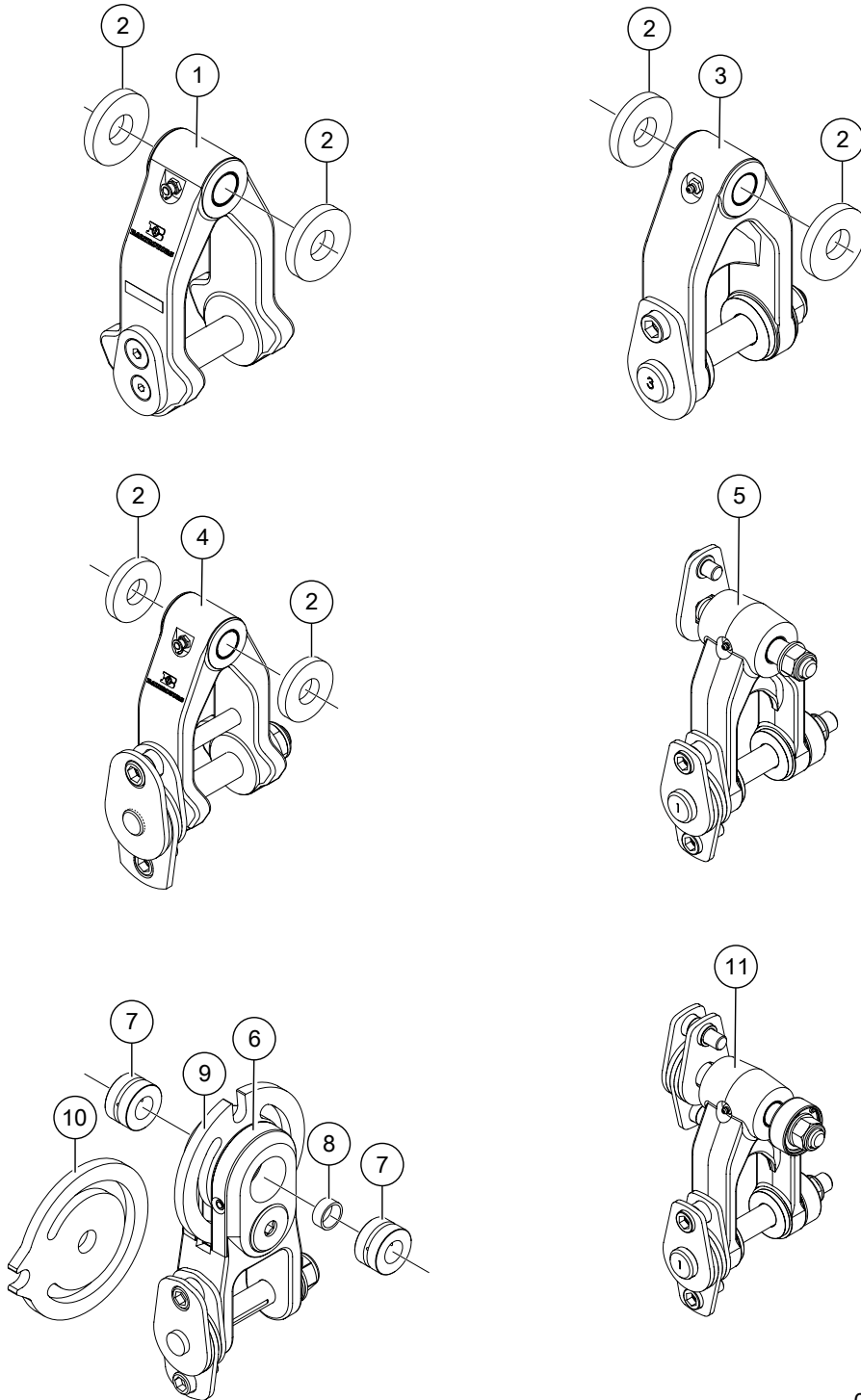


000566

Link/Slewing damper

Pos	Art.	Qty.	Description	Remarks
1	KT-790636	1 pc	Link	Unbraked
-	KT-791419	2 pcs	Bushing	
2	KT-791435	2 pcs	Spacer	T=10 mm. At crane tip 80 mm.
3	KT-791422	1 pc	Link	Unbraked
-	KT-791337-10	2 pcs	Bushing	
-	KT-791422-1	1 pc	Axle	Kit, lower - Unbraked
-	KT-791422-2	1 pc	Axle	Kit, upper - Unbraked
-	KT-791422-3	1 pc	Bolt kit	Unbraked
4	KT-MB21755	1 pc	Link	Single braked
-	KT-791419	2 pcs	Bushing	
-	KT-790539	1 pc	Axle with brake	
-	KT-791493	1 pc	Plate for brake	
-	KT-790540	1 pc	Plate with brake	
5	KT-791421	1 pc	Link	Single braked
-	KT-791337-10	2 pcs	Bushing	
-	KT-791422-2	1 pc	Axle	Kit, upper - Unbraked
-	KT-791422-3	1 pc	Bolt kit	Upper axle - Unbraked
-	KT-791337-1	1 pc	Brake pad	Kit
-	KT-791337-8	1 pc	Axle	Kit, lower - Braked
-	KT-791337-4	1 pc	Bolt kit	Upper, lower axle - Brake
-	KT-791337-5	1 pc	Bolt kit	Lower, lower axle - Brake
-	KT-791337-6	1 pc	Washer kit	
-	KT-791337-7	1 pc	Washer	Magnetic
6	KT-790995	1 pc	Link	Dual braked
-	KT-790995-1	2 pcs	Brake pad	
-	KT-790685-1	2 pcs	Brake pad	
-	KT-790685-3	1 pc	Pin	
7	TE-701949	2 pcs	Bushing	
-	KT-791342	2 pcs	Bushing	Applies to machine 53. D=30
8	TE-701950	1 pc	Spacer ring	
9	KT-790995-4	1 pc	Brake disc	Combi
10	TE-702774	1 pc	Brake disc	Harvester
11	KT-791337	1 pc	Link	Dual braked
-	KT-791337-10	2 pcs	Bushing	
-	KT-791337-1	2 pcs	Brake pad	Kit
-	KT-791337-2	1 pc	Bolt kit	Upper, upper axle - Brake

Link/Slewing damper

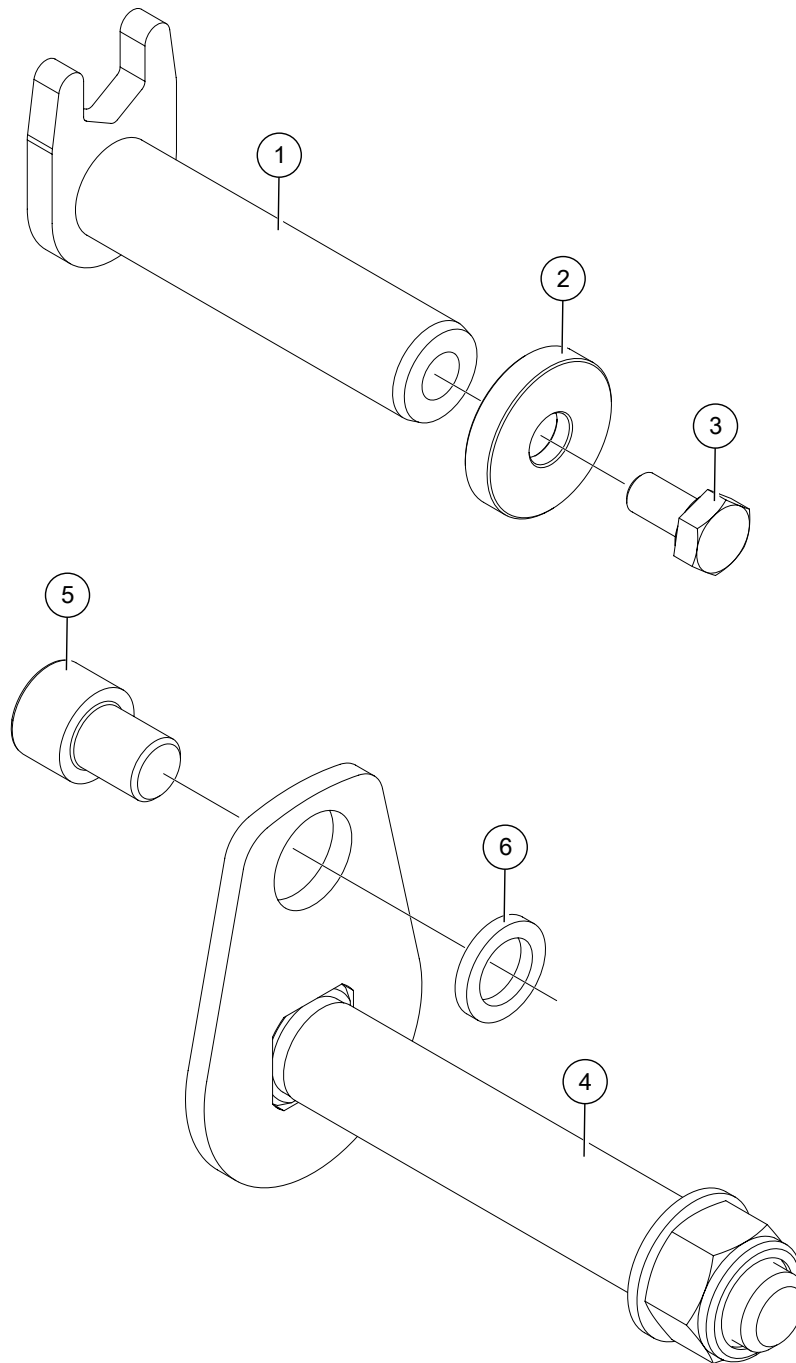


000566

Link/Slewing damper

Pos	Art.	Qty.	Description	Remarks
-	KT-791337-3	1 pc	Bolt kit	Lower, upper axle - Brake
-	KT-791337-4	1 pc	Bolt kit	Upper, lower axle - Brake
-	KT-791337-5	1 pc	Bolt kit	Lower, lower axle - Brake
-	KT-791337-6	1 pc	Washer kit	
-	KT-791337-7	2 pcs	Washer	Magnetic
-	KT-791337-8	1 pc	Axle	Kit, Lower - Brake
-	KT-791337-9	1 pc	Axle	Kit, Upper - Brake

Axle

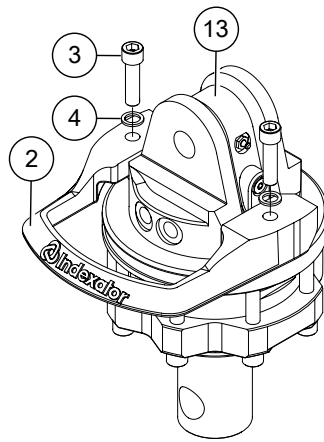
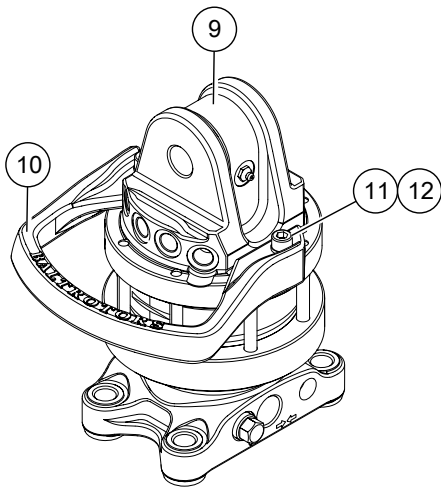
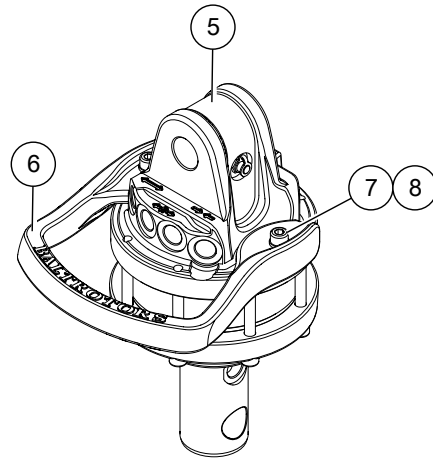
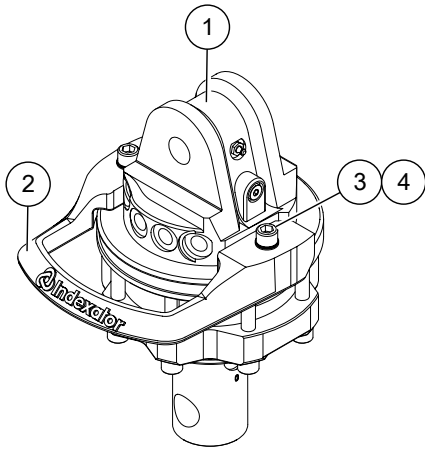


000574

Axle

Pos	Art.	Qty.	Description	Remarks
1	KT-791052	1 pc	Axle	
2	KT-790531	1 pc	Locking washer	
3	K6077-114	1 pc	Screw	M6S 12x20 8.8 FZB
4	KT-791432	1 pc	Axle	
5	09-267641	1 pc	Hex screw	MC6S 16x20 8.8 FZB
6	K6163-002	1 pc	Nordlock washer	M16

Rotator



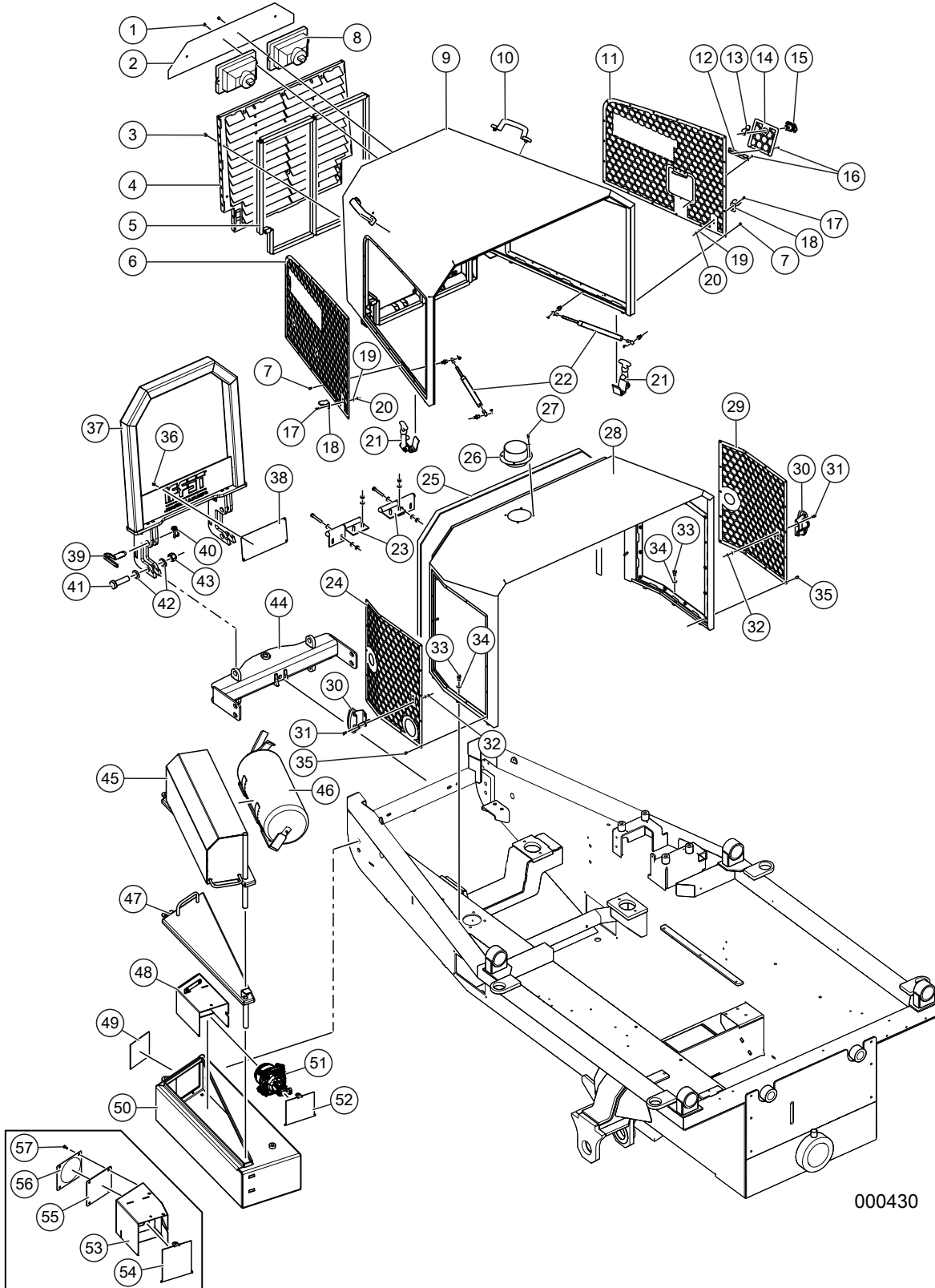
000567

Rotator

Pos	Art.	Qty.	Description	Remarks
1	TE-703517	1 pc	Rotator	Combi. Ø63
	KT-790837-2	1 pc	Gasket kit	
2	KT-790837-1	1 pc	Hose guard	
3	KT100079	2 pcs	Hex screw	MC6S 12x45 12.9 UNTR
4	K6163-000	2 pcs	Nordlock washer	M12
5	KT-790515	1 pc	Rotator	Forwarder. Ø50
	KT-790515-1	1 pc	Gasket kit	
6	KT-790516	1 pc	Hose guard	
7	KT-6067-290	2 pcs	Hex screw	MC6S 8x30 12.9 OBEH
8	K6162-01	2 pcs	Spring washer	FBB M8
9	KT-791159	1 pc	Rotator	Combi/Forwarder. Ø63
	TE-791159	1 pc	Gasket kit	
10	KT-791240	1 pc	Hose guard	
11	K6067-19	2 pcs	Hex screw	MC6S 10x30 FZB
12	K6162-02	2 pcs	Spring washer	FBB 10
13	TE-703518	1 pc	Rotator	Harvester
	KT-790837-2	1 pc	Gasket kit	

6 FRAME AND BODY

Hood, hinges and battery shelf

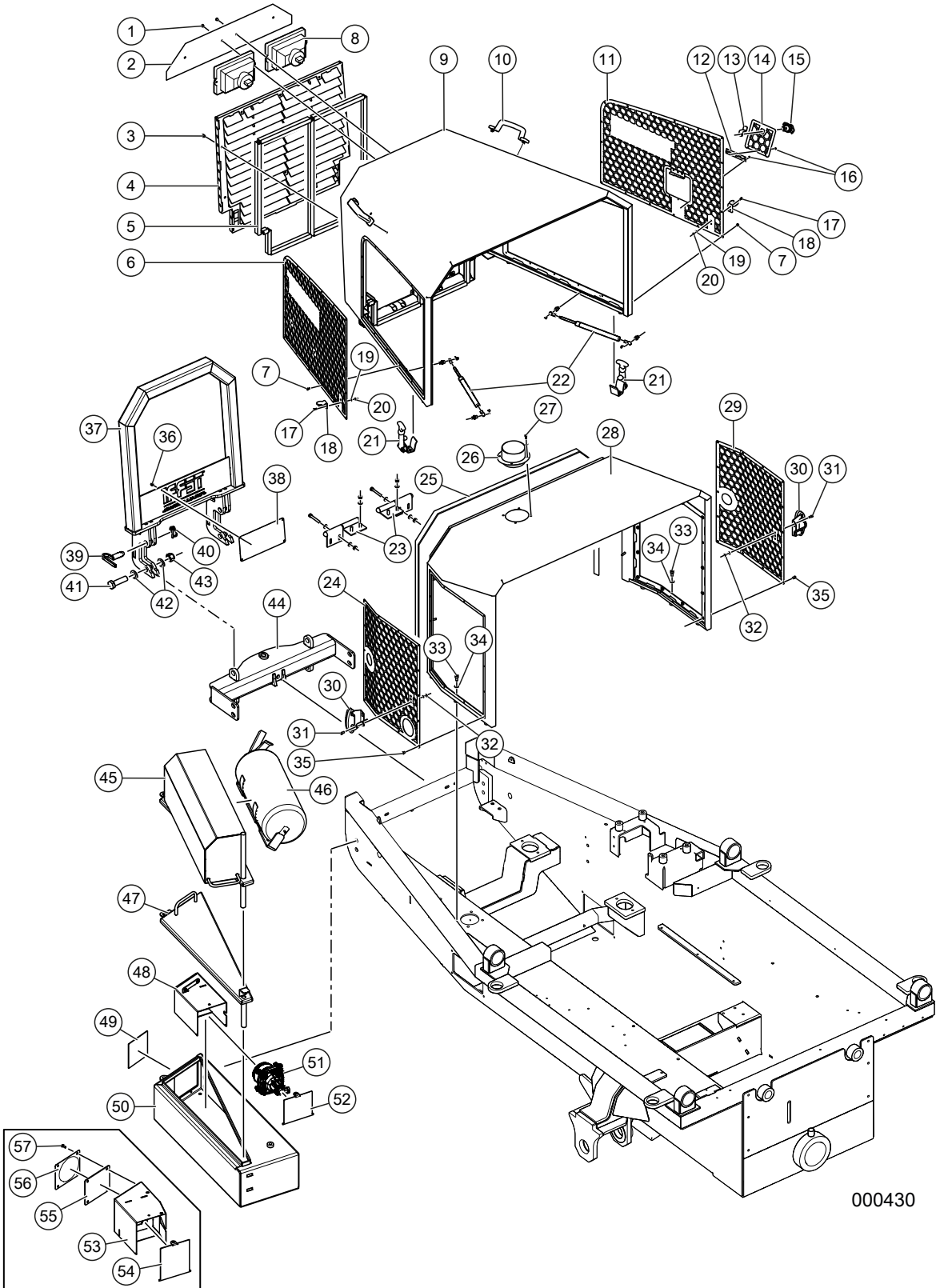


000430

Hood, hinges and battery shelf

Pos	Art.	Qty.	Description	Remarks
1	K6062-1	4 pcs	Hex screw	MC6S 6x12 FZB
2	TE-702614	1 pc	Cover plate behind grille	
3	81-0249-FZB	6 pcs	Hex screw	MC6S 6x10 FZB
4	TE-702653	1 pc	Grille	
5	T3999042	3 m	Edge moulding	
6	TE-702584	1 pc	Cover plate	Left
7	K6062-02	50 pcs	Hex screw	MC6S 5x10 FZB
8		2 pcs	Headlight	See <i>Lighting and wiper motors</i> , page 209
-		2 pcs	Bulb H4 12V	See <i>Lighting and wiper motors</i> , page 209
9	TE-702544	1 pc	Hood	Front
	TE-702546	2 pcs	Hinge bracket	
10	KT-890056	2 pcs	Pull handle	
11	TE-702647	1 pc	Cover plate	Right
12	TE-702651	1 pc	Hinge	
13	TE-702648	1 pc	Locking hook, hood	
14	TE-702639	1 pc	Hatch	
15	KT-791284	1 pc	Compression lock	
16	K6206-06	6 pcs	Rivet	3.2X8 Al/St BLACK
17	09-267804	4 pcs	Screw	M6S 4x10
18	KT-0146.125	2 pcs	Hood lock	
19	09-267054	4 pcs	Flat washer	BRB M4
20	K6133-1	4 pcs	Lock nut	Nyloc M4 FZB
21	KT-0146.125	2 pcs	Hood lock	
22	T53033	2 pcs	Gas cylinder, hood	
	T6493506	4 pcs	Swivel joint	M6/M8
	09-267024	4 pcs	Bracket, ball fitting	M8
23	TE-710019	1 pc	Hood hinge	Kit
-	TE-700347	2 pcs	Hood hinge	Hood section
-	TE-700348	2 pcs	Hood hinge	Chassis
	09-266195	4 pcs	Flange screw	M6SF 8x60 8.8 FZB
	09-265139	12 pcs	Flat washer	BRB M8
	K6134	8 pcs	Lock nut	LM6M M8 8 FZB
24	TE-702601	1 pc	Cover plate	Left. For fuel cap KT-1021813.
	TE-702601-1	1 pc	Cover plate	Left. For fuel cap KT-791533. Up to machine T24-007
	TE-702601-1	1 pc	Cover plate	Left. For fuel cap KT-791534. From machine T24-008
25	K7604-21	LM	Sealing strip	20x4

Hood, hinges and battery shelf



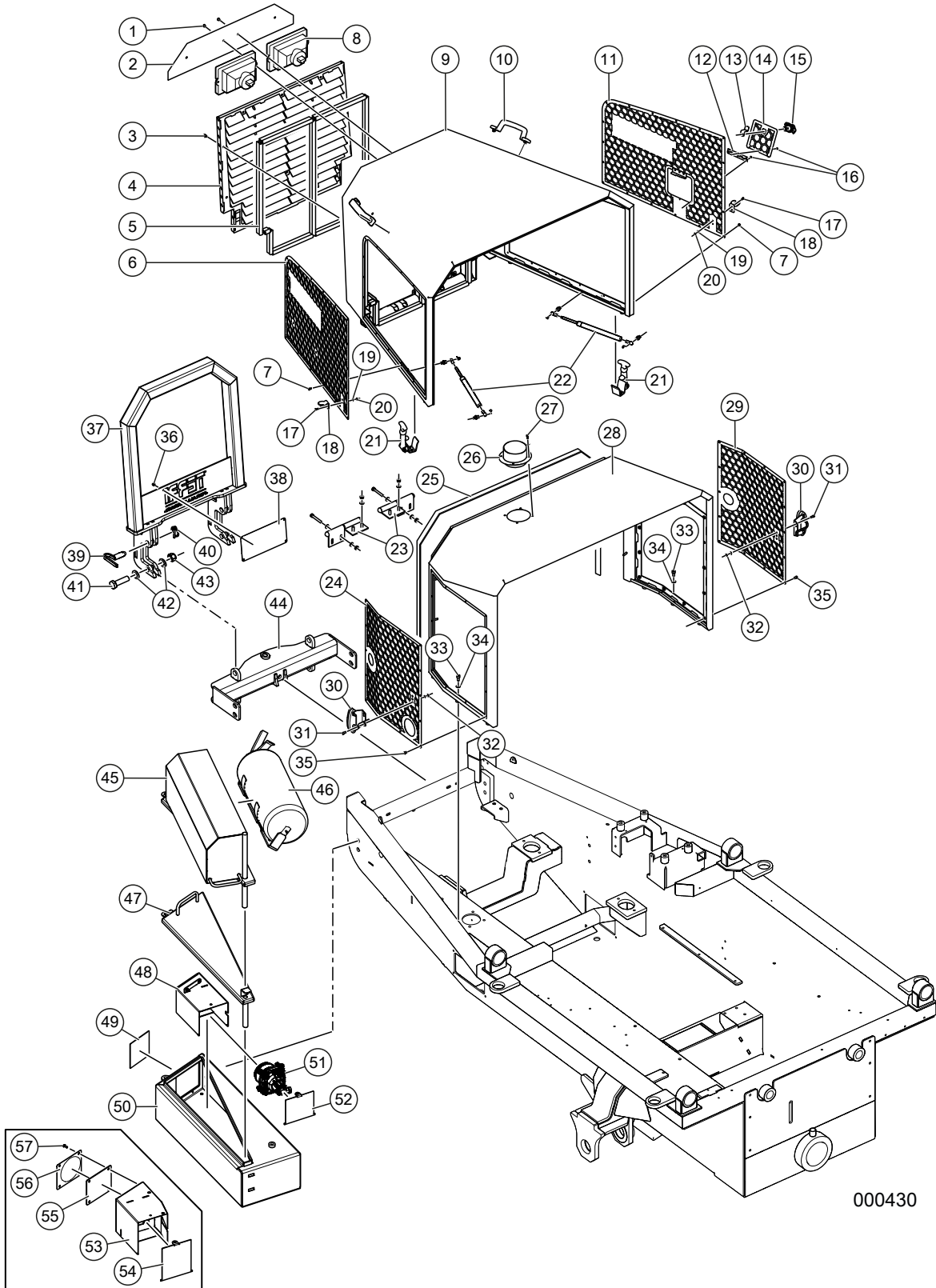
000430

Hood, hinges and battery shelf

Pos	Art.	Qty.	Description	Remarks
26		1 pc	Duct intake	- See <i>Air and fuel filter</i> , page 31.
27	09-267710	4 pcs	Flange screw	M6S 5x12 8.8 FZB
28	TE-702513	1 pc	Rear engine hood	Incl. item 26 and 32
29	TE-702600	1 pc	Cover plate	Right
30	KT-791103	2 pcs	Positioning light	LED. White with reflector
31	K6065-601	4 pcs	Hex screw	MC6S 5x16 8.8 FZB
32	09-267591	4 pcs	Lock nut	LM6M M5
33	K6065	6 pcs	Hex screw	MC6S 8x16
34	K6151	6 pcs	Flat washer	BRB M8
	TE-701235	6 pcs	Spacer engine hood	
35	K6068-071	14 pcs	Screw	K6S 6x12
36	K6062-1	4 pcs	Hex screw	MC6S 6X12 FZB
37	TE-701977	1 pc	Bar, foldable	Extra equipment
38	TE-701391	1 pc	Cover plate for grille logo	Machine with bull bar
39	TE-701982	2 pcs	Pin	
40	KT-123120	2 pcs	Pin	TRSP 6x42
41	09-265439	2 pcs	Screw	M6S 20X80 8.8 FZB
42	K6152-07	4 pcs	Flat washer	BRB M20 FZB
43	K6135-12	2 pcs	Lock nut	Nyloc M20
44	TE-701985	1 pc	Drawbar	
	TE-700409	1 pc	Pin for drawbar	
45	TE-702285	1 pc	Cover with bracket for fire extinguisher	Left. Machine with additional fire extinguisher
	TE-702284	1 pc	Cover with bracket for fire extinguisher	Right. Machine with additional fire extinguisher
46	KT-791177	2 pcs	Fire extinguisher	Foam 9 kg. Machine with additional fire extinguisher
47	TE-701820	1 pc	Lid	Left
	TE-701881	1 pc	Lid	Right
48	TE-701849	1 pc	Lamp housing	Left. Machine with relocated headlights. Up to machine T23-028. Not T23-024
	TE-701884	1 pc	Lamp housing	Right. Machine with relocated headlights. Up to machine T23-028. Not T23-024
49	KT-701858	2 pcs	Lamp glass	Machine with relocated headlights. Up to machine T23-028. Not T23-024
	TE-702047	2 pcs	Cover plate for lamp in tool box	Machine without relocated headlights. Up to machine T23-028. Not T23-024
50	TE-701813	1 pc	Toolbox	Left
	TE-701862	1 pc	Toolbox	Right
51	KT-791118	2 pcs	High/low beam headlight 12/24V	Machine with relocated headlights, see <i>Lighting and wiper motors</i> , page 209
		2 pcs	H7 bulb, 12V	See <i>Lighting and wiper motors</i> , page 209

	KT-791118-1	1 pc	Assembly kit	
52	TE-701857	2 pcs	Cover lamp housing	Up to machine T23-028. Not T23-024

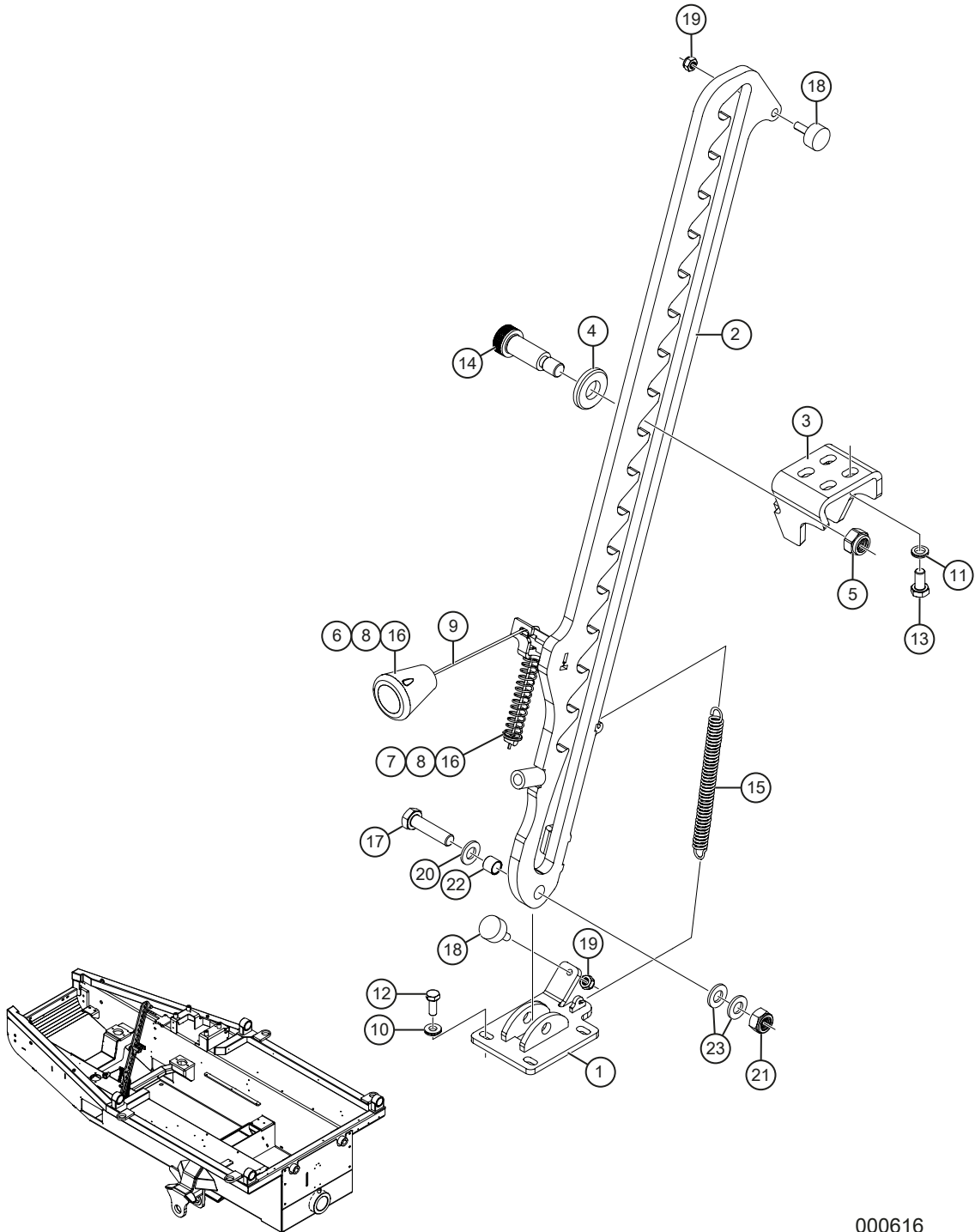
Hood, hinges and battery shelf



Hood, hinges and battery shelf

Pos	Art.	Qty.	Description	Remarks
53	TE-703367	1 pc	Lamp housing	Left. Machine with relocated headlights. From T23-024. Not T23-025, T23-026, T23-027 and T23-028.
	TE-703368	1 pc	Lamp housing	Right. Machine with relocated headlights. From T23-024. Not T23-025, T23-026, T23-027 and T23-028.
54	TE-703380	2 pcs	Cover lamp housing	Machine with relocated headlights. From T23-024. Not T23-025, T23-026, T23-027 and T23-028.
	K6077-08	2 pcs	Screw	M6S 6x10 8.8 FZB
	KT-785036	2 pcs	Nordlock washer	M6
55	KT-703374	2 pcs	Lamp glass	From T23-024. Not T23-025, T23-026, T23-027 and T23-028.
56	703375	2 pcs	Sheet metal cover	From T23-024. Not T23-025, T23-026, T23-027 and T23-028.
57	81-0483-FZB	16 pcs	Screw	K6S 6x16 FZB. From T23-024. Not T23-025, T23-026, T23-027 and T23-028.

Cab lock

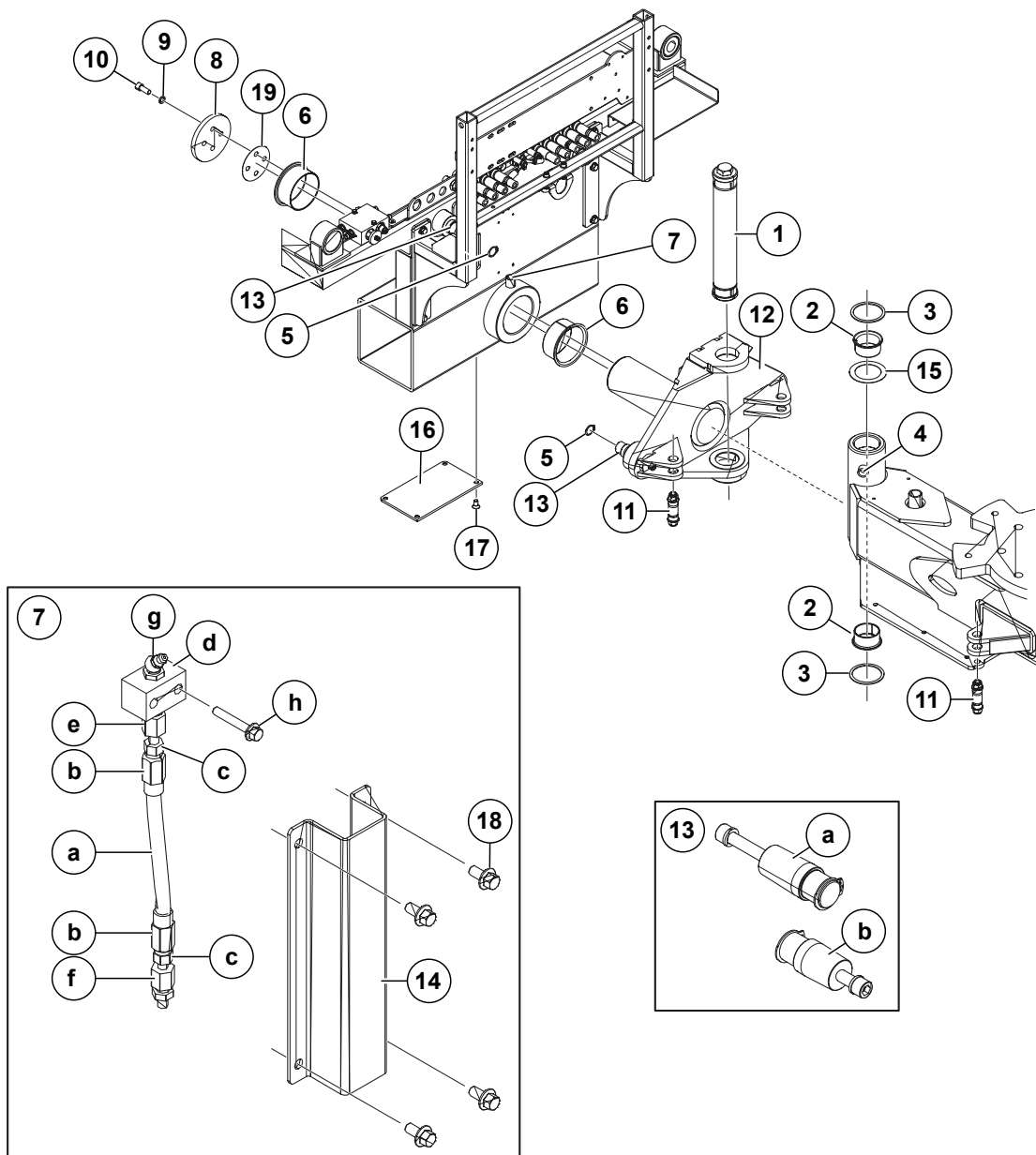


000616

Cab lock

Pos	Art.	Qty.	Description	Remarks
	TM-702945		Cab lock	Complete. First machine T23-016.
1	TE-702936	1 pc	Bracket	
2	TE-702932	1 pc	Arm	
3	TE-702946	1 pc	Bracket	
4	TE-702944	1 pc	Plastic washer	
5	K6135-1	1 pc	Lock nut	M6M 12 Nyloc
6	09-267315	1 pc	Tapered knob	
7	09-267313	1 pc	Compression spring	
8	KT-791381	2 pcs	Locking nipple	10x5.5x2
9	K6626-61	1 pc	Steel wire	Ø2
10	09-267189	4 pcs	Locking washer	Nordlock M6
11	K6163-004	4 pcs	Locking washer	Nordlock M8
12	KT-6070-03	4 pcs	Screw	M6S 6x16 8.8 FZB
13	K6074-09	4 pcs	Screw	M6S 8x16 8.8 FZB
14	09-267316	1 pc	Reamed bolt	16x35/M12 12.9
15	09-267314	1 pc	Tension spring	1.8x12x87.2
16	KT-702954	2 pcs	Assembly washer	T=2
17	K6078-02	2 pcs	Screw	M6S 10x40 8.8 FZB
18	KT-791380	2 pcs	Shock absorber	
19	K6133	1 pc	Lock nut	M6M 6 Nyloc
20	K6152	1 pc	Flat washer	BRB M10 FZB
21	K6135	1 pc	Lock nut	M6M 10 Nyloc
22	KT-791379	1 pc	Sliding bearing	10/12x10
23	TE-703133	2 pcs	Thrust washer	20x10.3x2 Bronze

Frame joint/Steering joint

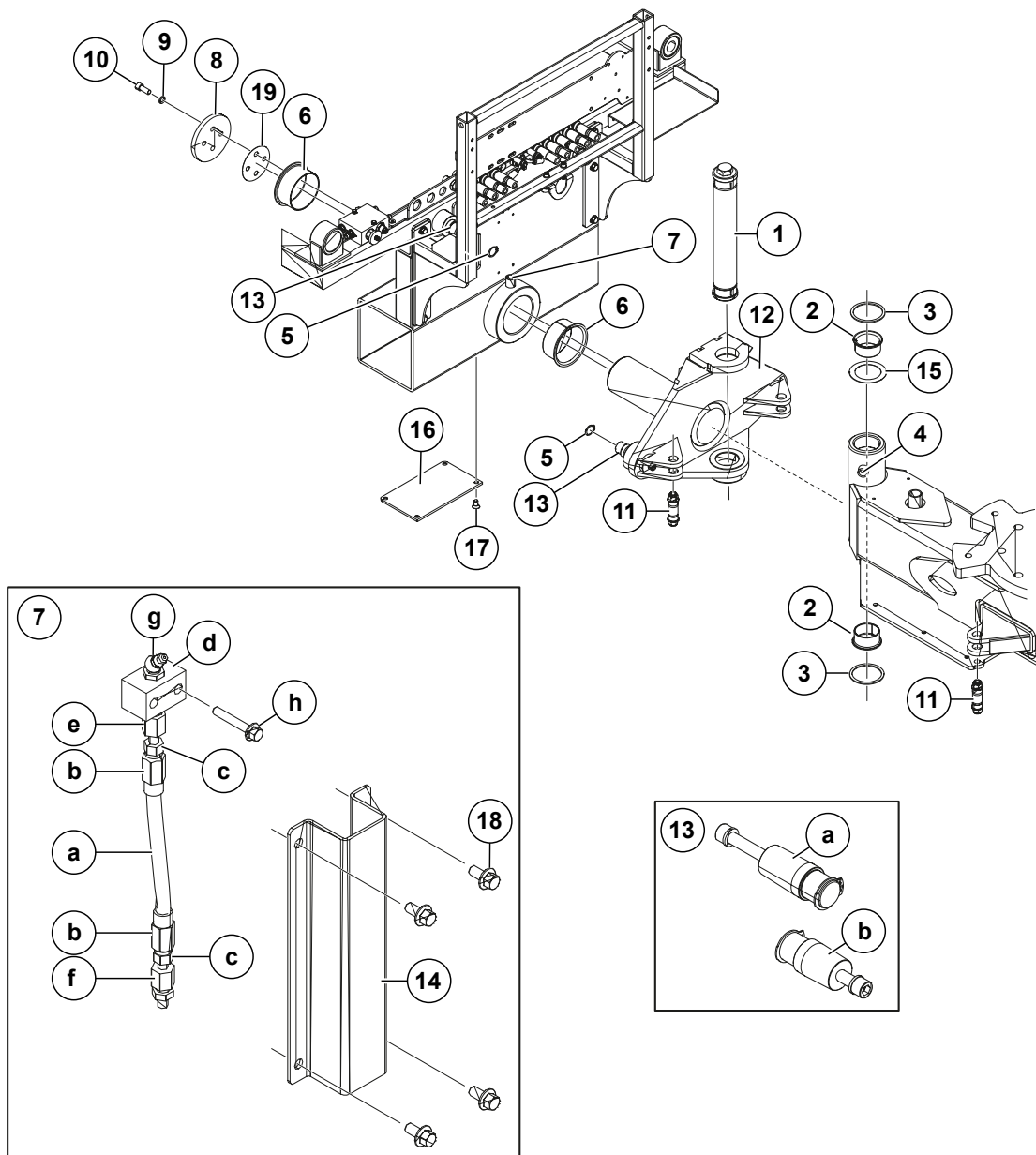


000575

Frame joint/Steering joint

Pos	Art.	Qty.	Description	Remarks
1	KT-790989	1 pc	Expander shaft	Tightening torque 500 Nm
-	KT-790989-1	1 pc	Sleeve	Std
-	KT-790989-3	1 pc	Washer	
-	KT-790989-4	1 pc	KM nut	Tightening torque 500 Nm
-	KT-790989-5	1 pc	Screw	M24 HEX 36
	KT-790989-2	1 pc	Sleeve	TDC
2	KT-50542	2 pcs	Bushing	
3	KT-701010	2 pcs	Thrust washer	
4	KT-4600-100	1 pc	Grease nipple	Straight M6
5	09-268054	2 pcs	Retaining ring	SGA 30
6	KT-50541	2 pcs	Bushing, tension bearing	
7	TE-710023	1 pc	Extended grease nipple	Complete
7a	KT-2410010103	0.11 m	High-pressure hose	Included in TE-710023
7b	KT-2420002203	2 pcs	Screw sleeve for high-pressure hose	Included in TE-710023
7c	KT-2420200620	2 pcs	Straight pipe socket	Included in TE-710023
7d	KT-2435200201	1 pc	Grease panel	Included in TE-710023
7e	KT-61710602	1 pc	Straight coupling	R ext. Included in TE-710023
7f	KT-61720606	1 pc	Straight coupling	MK ext. Included in TE-710023
7g	KT-59020009	1 pc	Grease nipple	45 degree 1/8". Included in TE-710023
7h	81-0239	2 pcs	Screw	MF6S 5x30 FZB. Included in TE-710023
8	TE-700091	1 pc	Drag washer	
9	K6163-000	4 pcs	Nordlock washer	M12
10	KT-6067-270	4 pcs	Hex screw	MCS65 12x30 12.9 Untr. Use lock fluid and torque XX Nm
11	KT-790990	4 pcs	Expander shaft	Steering cylinder
-	KT-790990-1	4 pcs	Sleeve	Std
-	KT-790990-3	4 pcs	Flange nut	M6MF 14
	KT-790990-2	4 pcs	Sleeve	TDC
12	TE-701000	4 pcs	Hitch pin for relocated articulated lock	
13	TE-710205	2 pcs	Repair kit	1 kit per cylinder. Replaces TE-710131
a	KT-703692	1 pc	Cylinder pin	Included in TE-710205
	09-268054	1 pc	Retaining ring	SGA 30. Included in TE-710205
	KT-785011	1 pc	Hex screw	MC6S 12x80 12.9. Included in TE-710205
	K6163-000	1 pc	Nordlock washer	M12 Included in TE-710205
b	KT-703693	1 pc	Cylinder pin	Included in TE-710205
	09-268054	1 pc	Retaining ring	SGA 30. Included in TE-710205
	09-267691	1 pc	Hex screw	MC6S 12x40 12.9. Included in TE-710205

Frame joint/Steering joint

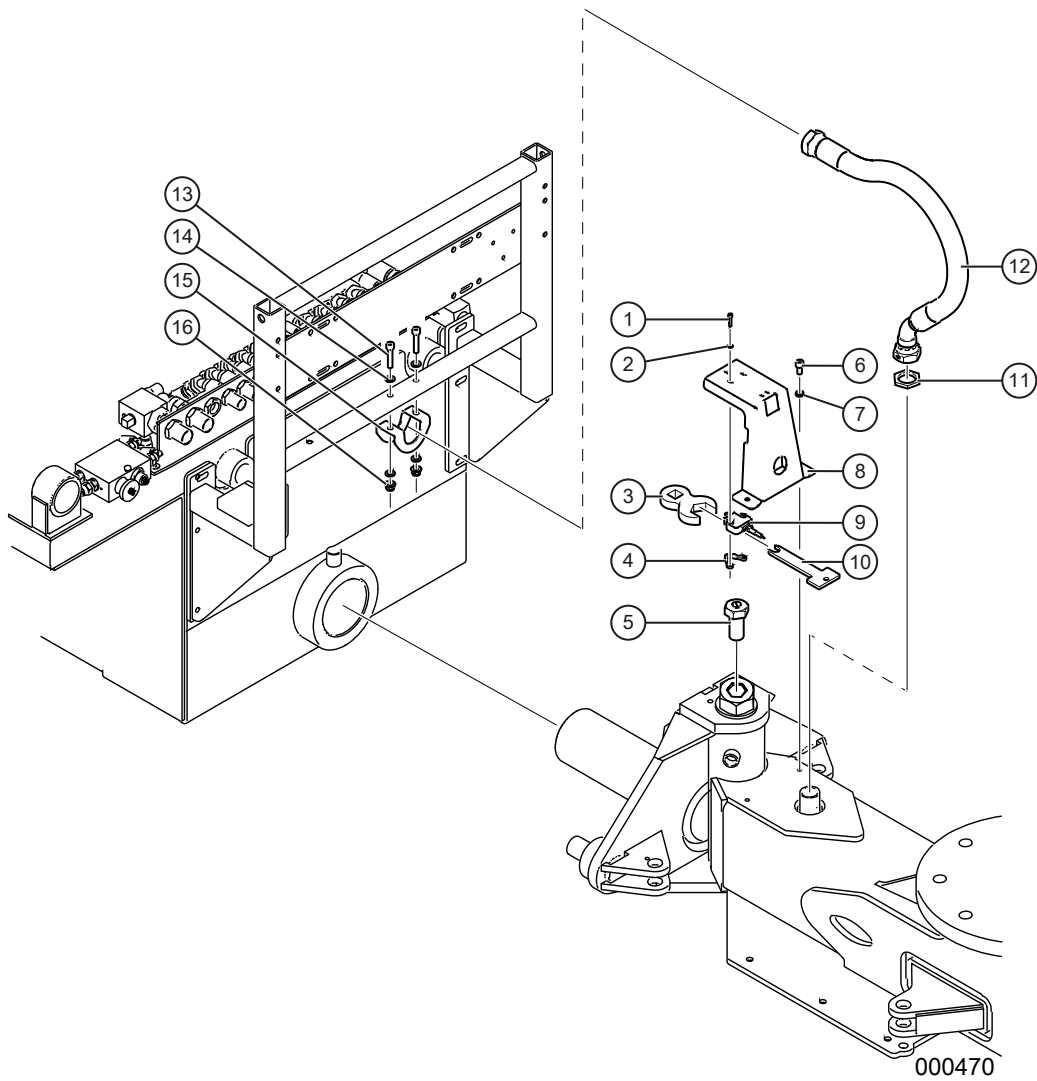


000575

Frame joint/Steering joint

Pos	Art.	Qty.	Description	Remarks
	K6163-000	1 pc	Nordlock washer	M12 Included in TE-710205
14	TE-701847	1 pc	Cover grease hose	
15	TE-701092	1 pc	Shims	T=0.2 mm
	TE-701093	1 pc	Shims	T=0.5 mm
	TE-701094	1 pc	Shims	T=1.0 mm
16	TE-701630	1 pc	Cover hitch pin	
17	K6058-40	4 pcs	Hex screw	MF6S 10x20 8.8 FZB
18	09-265543	4 pcs	Flange screw	M6SF 6x12 8.8 FZB
19	TE-701095	1 pc	Shims	T=0.2
	TE-701096	1 pc	Shims	T=0.5
	TE-701097	1 pc	Shims	T=0.15

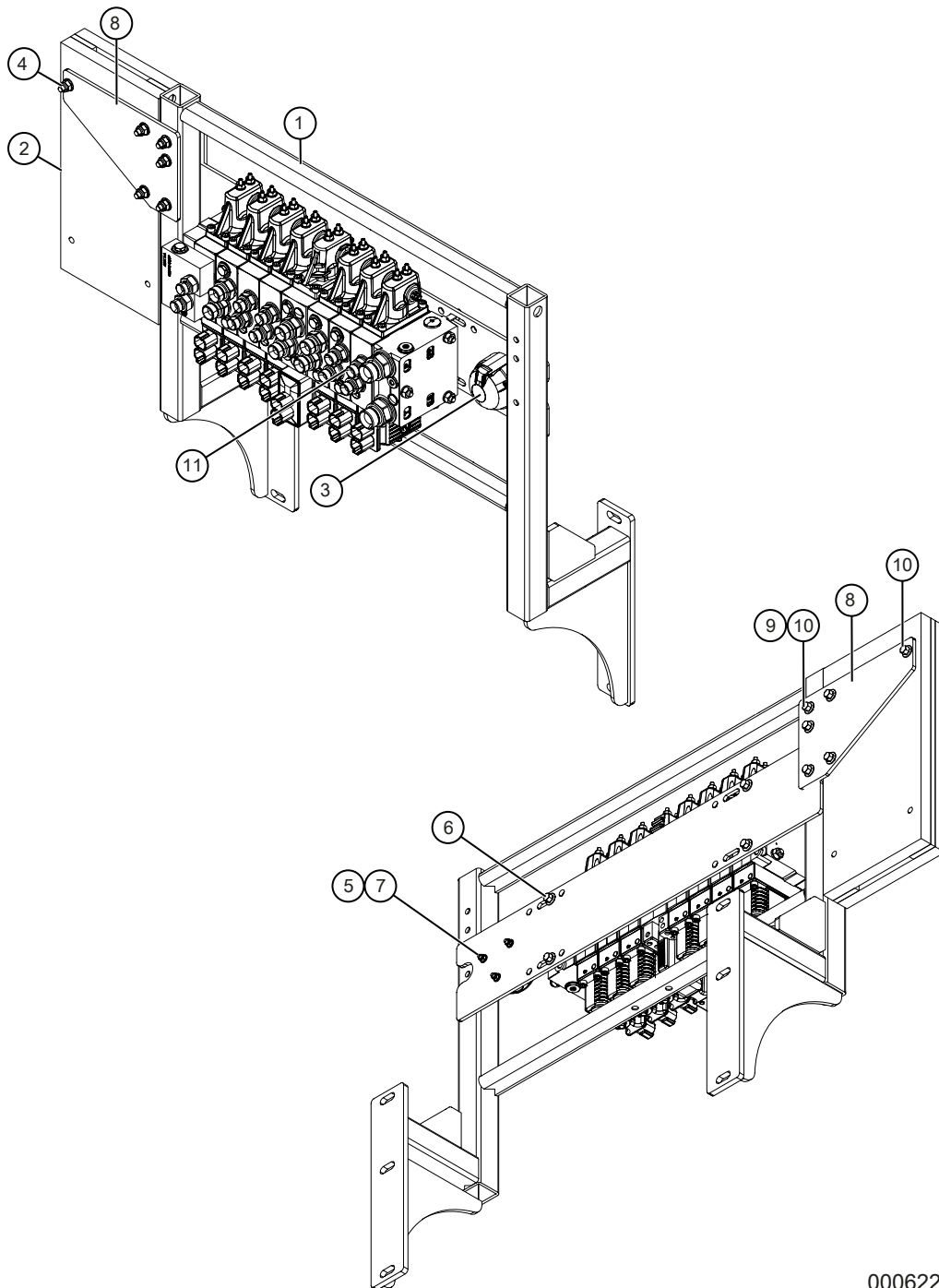
Articulation sensor and protective hose for lighting cable



Articulation sensor and protective hose for lighting cable

Pos	Art.	Qty.	Description	Remarks
1	09-267055	3 pcs	Hex screw, stainless	MC6S 4x20 A2
2	09-267054	3 pcs	Flat washer, stainless	BRB M4 A2
3	TE-703071	1 pc	Extension for torque wrench	Assembly/adjustment tool
4	TE-702950	1 pc	Screw sheet	
5	TE-702949	1 pc	Bolt with magnet	
6	K6065	2 pcs	Hex screw	MC6S 8X16 FZB
7	K6163-004	2 pcs	Nordlock washer	M8
8	TE-702952	1 pc	Bracket for angle sensor, combi/ forwarder	
9	KT-791367	1 pc	Angle sensor	
10	TE-702951	1 pc	Centring tool	Assembly/adjustment tool
11	KT-70900016	1 pc	Lock nut	G 1" thread
12	TS-273056	1 pc	Electric hose	L=565 mm
13	K6066	2 pcs	Hex screw	MC6S 8X40 FZB
14	K6151	4 pcs	Flat washer	BRB M8 FZB
15	TE-703754	1 pc	Bracket hose cable guard	Replaces TE-702894
16	09-265605	2 pcs	Flange lock nut	M8 (LM6MF 8 FZB)

Frame valve assembly, without rubber cover

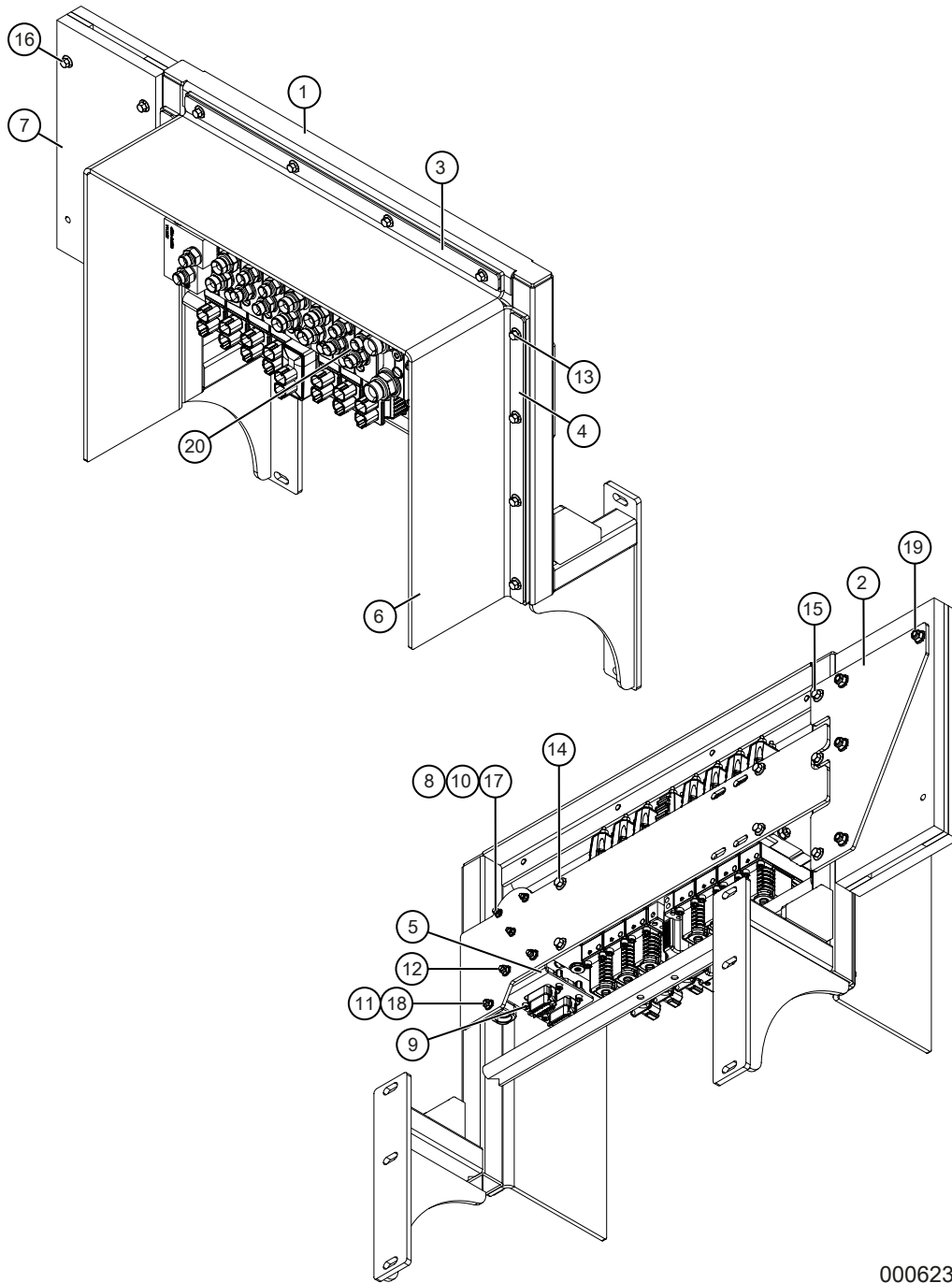


000622

Frame valve assembly, without rubber cover

Pos	Art.	Qty.	Description	Remarks
	TE-710187		Frame valve assembly, without rubber cover	Complete. Up to machine T24-001. Not T23-027.
1	TE-702376	1	Mounting frame valve assembly, without rubber cover	
2	KT-700661	1	Retainer saw box	
3	KT-082002	1	Trailer socket	
4	09-265605	6	Flange lock nut	LM6MF M8 FZB
5	09-266027	3	Flange lock nut	LM6MF M5 FZB
6	K6065-25	4	Hex screw	M6SF 8x20 8.8 FZB
7	09-267326	3	Hex screw	MC6S 5x35 8.8 FZB
8	TE-701441	2	Holder chain saw box	
9	K6151	6	Flat washer	BRB M8 FZB
10	09-267713	6	Flange screw	M6SF 8x70 8.8 FZB
11		1	Crane valve	See <i>Crane valve with connections.</i>

Frame valve assembly, without rubber cover

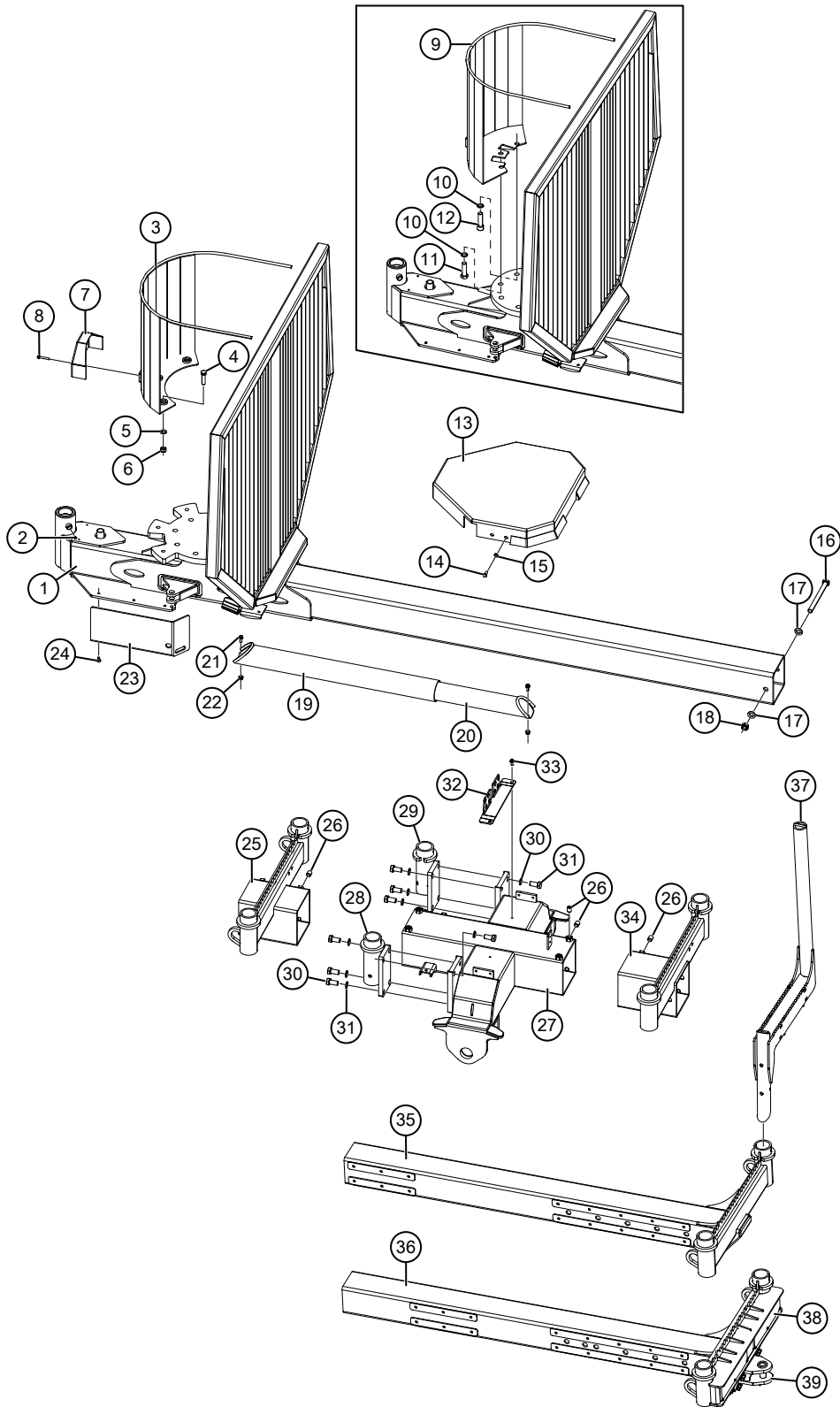


000623

Frame valve assembly, without rubber cover

Pos	Art.	Qty.	Description	Remarks
	TE-710149		Frame valve assembly, without rubber cover	Complete. From machine T24-002. Also T23-027.
1	TE-703447	1	Mounting frame valve assembly, for rubber cover	
2	TE-703451	1	Mounting plate chainsaw holder	
3	TE-703453	1	Mounting plate rubber cover	Upper
4	TE-703452	2	Mounting plate rubber cover	Sida
5	TE-703455	1	Bracket , electrical contact	
6	KT-791465	1	Rubber cover for valve assembly	T=6 mm
7	KT-700661	1	Retainer saw box	
8	KT-082002	1	Trailer socket	
9	K6065-601	4	Hex screw	MC6S 5x16 8.8 FZB
10	09-267326	3	Hex screw	MC6S 5x35 8.8 FZB
11	K6062-11	1	Hex screw	MC6S 6x16 8.8 FZB
12	09-266034	2	Flange screw	M6SF 6x20 8.8 FZB
13	09-266793	12	Flange screw	M6SF 8x16 8.8 FZB
14	09-266036	4	Flange screw	M6SF 8x20 8.8 FZB
15	09-267708	3	Flange screw	M6SF 8x25 8.8 FZB
16	09-266195	4	Flange screw	M6SF 8x60 8.8 FZB
17	09-266027	3	Flange lock nut	LM6MF M5 FZB
18	09-266028	3	Flange lock nut	LM6MF M6 FZB
19	09-265605	4	Flange lock nut	LM6MF M8 FZB
20		1	Crane valve	See <i>Crane valve with connections.</i>

Trailer

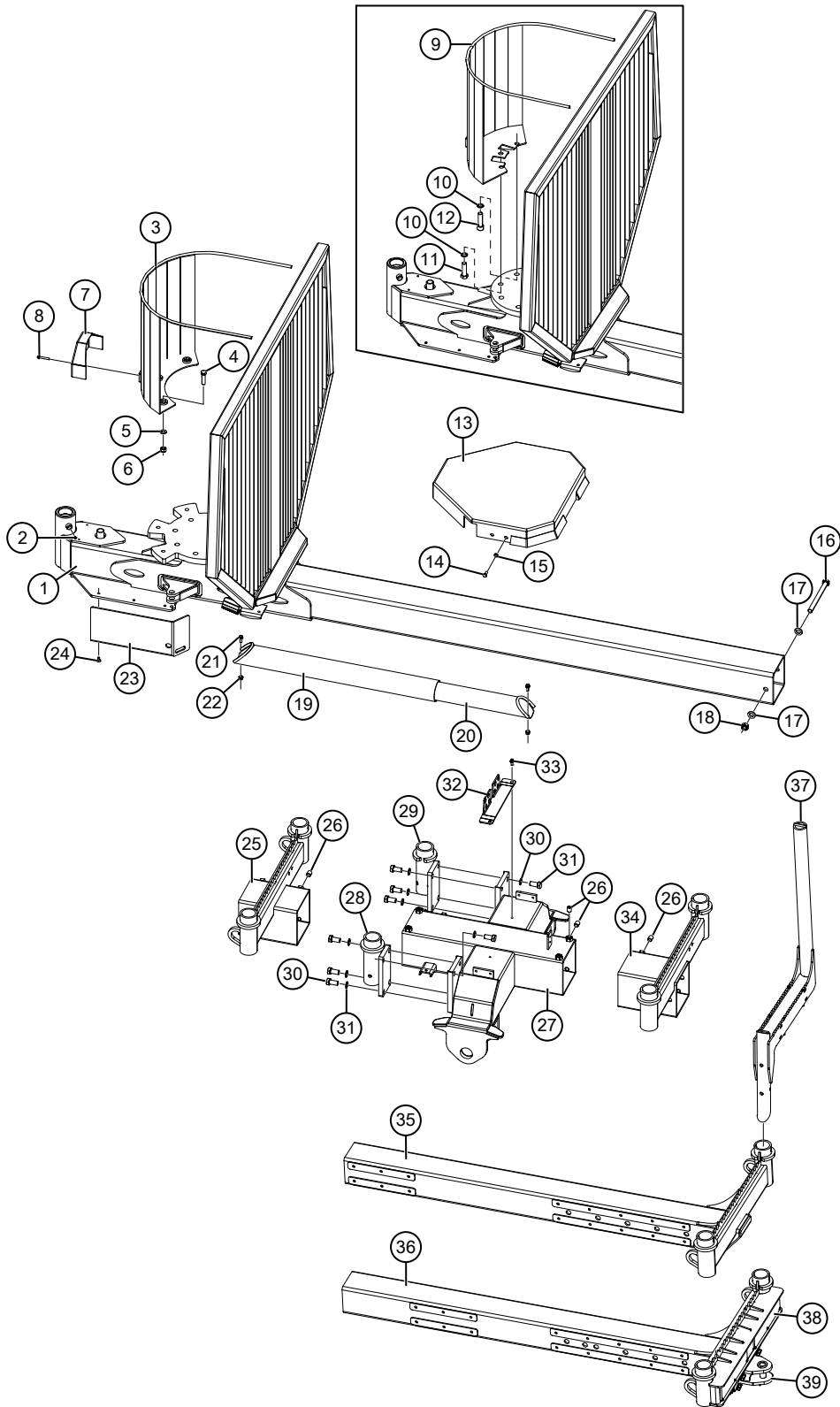


000620

Trailer

Pos	Art.	Qty.	Description	Remarks
1	TE-702245	1 pc	Centre beam	P30T
	TE-702373	1 pc	Centre beam	Extended. P30T
	TE-701195	1 pc	Centre beam	P40/P40T. Older design
	TE-702374	1 pc	Centre beam	Extended. P40/P40T. Older design
	TE-703483	1 pc	Centre beam	P40/P40T. New spec.
	TE-704010	1 pc	Centre beam	P40/P40T. New spec. For steering cylinder with sensor.
	TE-703484	1 pc	Centre beam	Extended. P40/P40T. New spec.
	TE-704011	1 pc	Centre beam	Extended. P40/P40T. New spec. For steering cylinder with sensor.
2	KT-4600-100	1 pc	Grease nipple	M6, straight
3	TE-703475	1 pc	Hose guard crane foot	P40/P40T. New spec.
4	K6077-202	3 pcs	Screw	M6S 16x60 8.8 FZB
5	K6152-051	3 pcs	Flat washer	BRB M16 FZB
6	K6135-11	3 pcs	Lock nut	M6M 16 Nylock
7	TE-703238	1 pc	Cover valve manifold	P30T
	TE-703236	1 pc	Cover valve manifold	P40/P40T
8	09-266194	2 pcs	Flange screw	M6SF 8x50 8.8 FZB
9	TE-700685	1 pc	Hose guard crane foot	P30T
	TE-701511	1 pc	Hose guard crane foot	P40/P40T. Older design
10	K6163-0020	8 pcs	Locking washer	Nordlock M20
11	KT-266883	1 pc	Screw	M6S 20x70 10.9 FXB
12	09-267810	7 pcs	Hex screw	MC6S 20x75 10.9 FZB
13	TE-702116	1 pc	Cover bogie bunk	
14	K6078-02	4 pcs	Screw M10x25 S	M6S 10x25 8.8 FZB
15	K6152	4 pcs	Flat washer	BRB M10 FZB
16	K6077-30	1 pc	Screw	M6S 20x220 8.8 FZB.
	KT100024	1 pc	Screw	M6S 20x240 8.8 FZB. For extra bunk
17	K6152-07	2 pcs	Flat washer	BRB M20 FZB
18	K6135-12	2 pcs	Lock nut	M6M 20 Nyloc
19	TE-604388	2 pcs	Telescopic pipe	Front
	TE-700271	2 pcs	Telescopic pipe	Front. Extended trailer
20	TE-604387	2 pcs	Telescopic pipe rear	Rear
	TE-700270	2 pcs	Telescopic pipe rear	Rear. Extended trailer
21	09-267440	4 pcs	Flange screw	M6SF 10x25 8.8 FZB
22	09-266029	4 pcs	Flange lock nut	M6MF 10 8 FZB
23	TE-700749	1 pc	Protective cover steering cylinder	Left
	TE-700750	1 pc	Protective cover steering cylinder	Right. For steering cylinder without sensor

Trailer

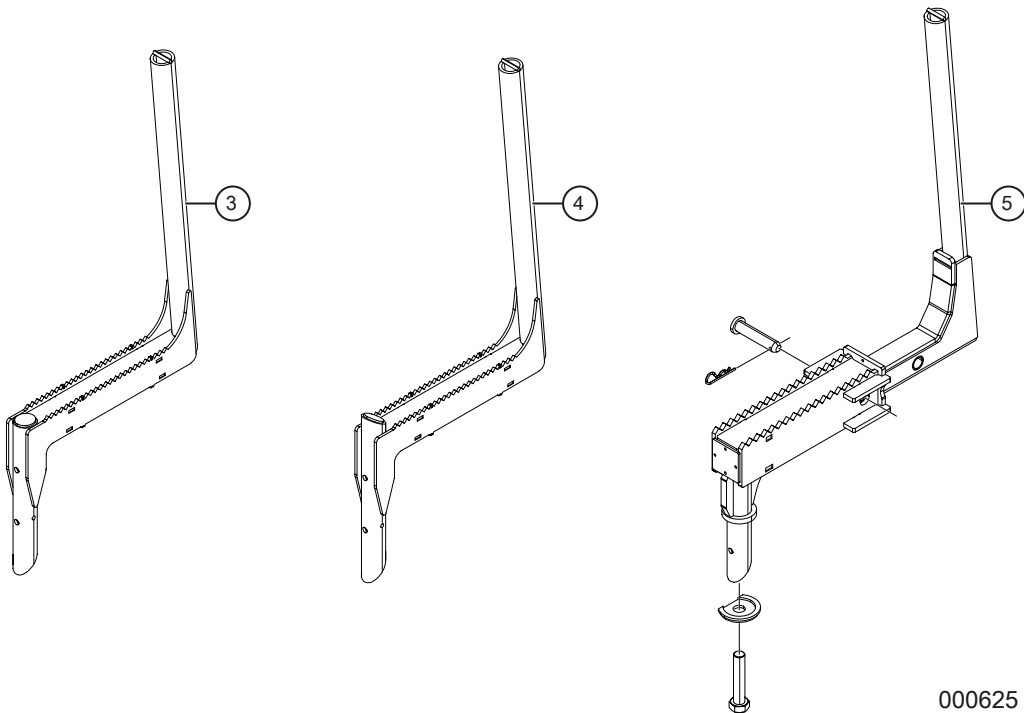
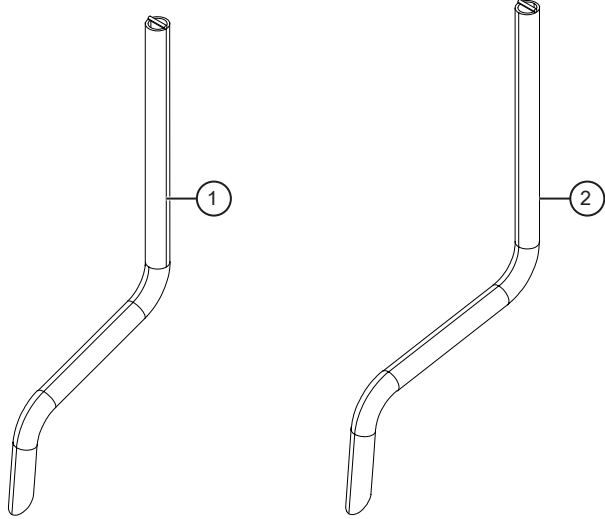


000620

Trailer

Pos	Art.	Qty.	Description	Remarks
	TE-703978	1 pc	Protective cover steering cylinder	Right. For steering cylinder with sensor
24	K6058-40	6 pcs	Screw	MF6S 10x20 10.9 FZB
25	TE-702019	1 pc	Bunk	Round sleeves
26	09-266029	14/17 pcs	Stop screw	P6SS 10x20 10.9 FZB
27	TE-702687	1 pc	Bogie bunk	Machined
28	TE-702025	1 pc	Stake bracket	Left
29	TE-702026	1 pc	Stake bracket	Right
30	K6163-0020	8 pcs	Locking washer	Nordlock M20
31	K6077-31	8 pcs	Screw	M6S 20x40 8.8 FZB
32	TE-702254	1 pc	Sheet metal bulkheads	
33	K6077-001	2 pcs	Flange screw	M6SF 10x20 8.8 FZB
34	TE-702029	1 pc	Extra bunk	Extra equipment
35	TE-702030	1 pc	Rear bunk	Without lighting
36	TE-702397	1 pc	Rear bunk	With lighting
37		6/8 pcs	Stake	See <i>Stake</i> , page 159.
38			Lighting	See <i>Lighting and wiper motors</i> , page 209.
39			Towing hook	See <i>Towing hook</i> , page 221.

Stake

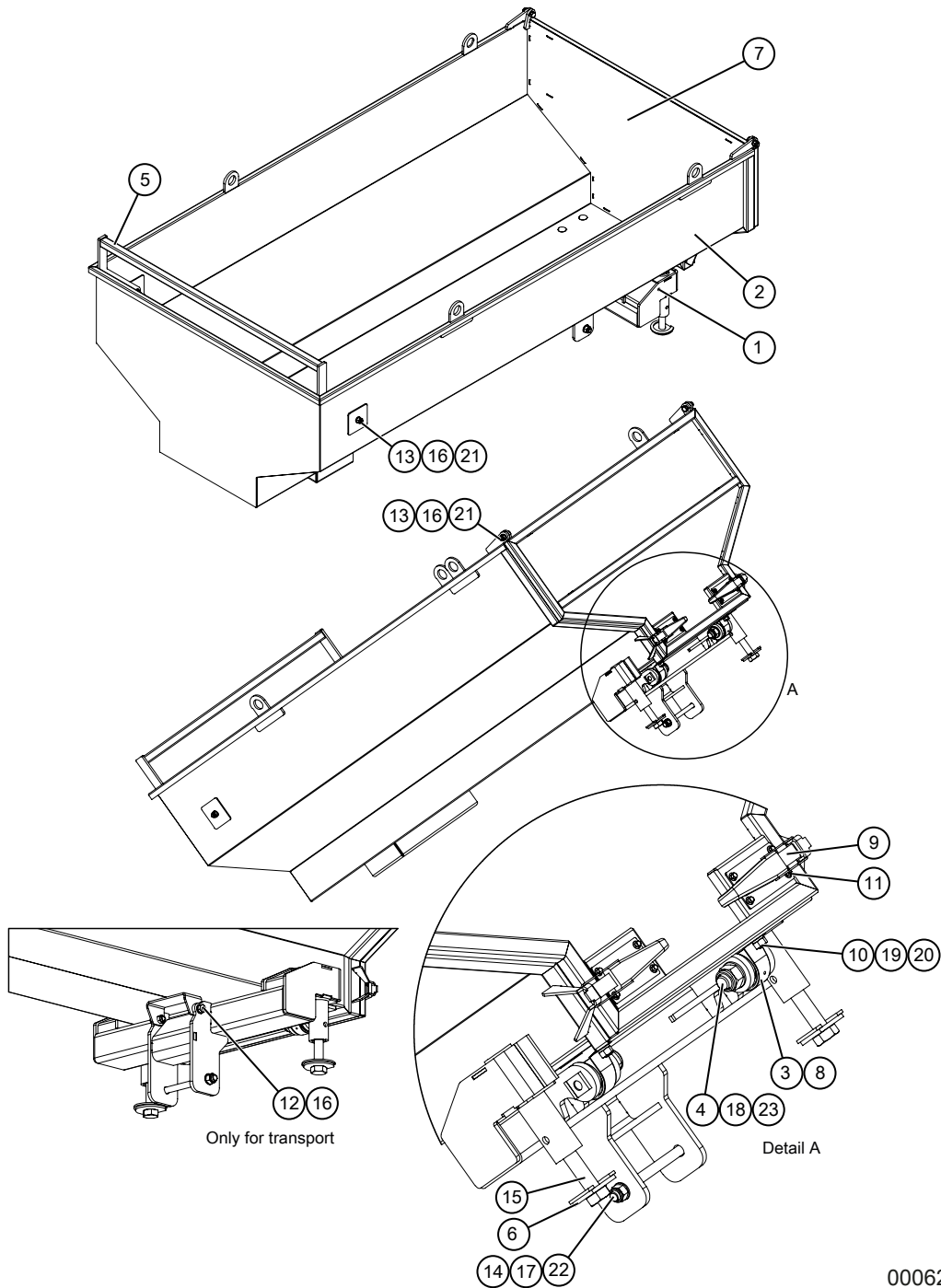


000625

Stake

Pos	Art.	Qty.	Description	Remarks
1	TE-700066	6/8 pcs	Stake	Tracked machine.
2	TE-701375	6/8 pcs	Stake	Wheeled machine.
3	TE-702444	6/8 pcs	Stake	Wheeled machine. Widened, without horn. 8 pcs. with extended trailer
4	TE-701959	6/8 pcs	Stake	Wheeled machine. Widened, with horn. 8 pcs. with extended trailer
5	TE-702470	6/8 pcs	Stake	Wheeled machine. Telescopic. 8 pcs. with extended trailer
-	TE-702471	1 pc	Inner part	Included in TE-702470
-	TE-702472	1 pc	Outer part	Included in TE-702470
-	TE-702488	1 pc	Cup, tensioning pipe	Included in TE-702470
-	TE-702492	1 pc	Pin	Included in TE-702470
-	KT-2326	1 pc	Cotter pin	Part of TE-702470. 5 mm
-	09-266309	1 pc	Screw	M6S 30x150 8.8 FZB. Included in TE-702470

Tipper body

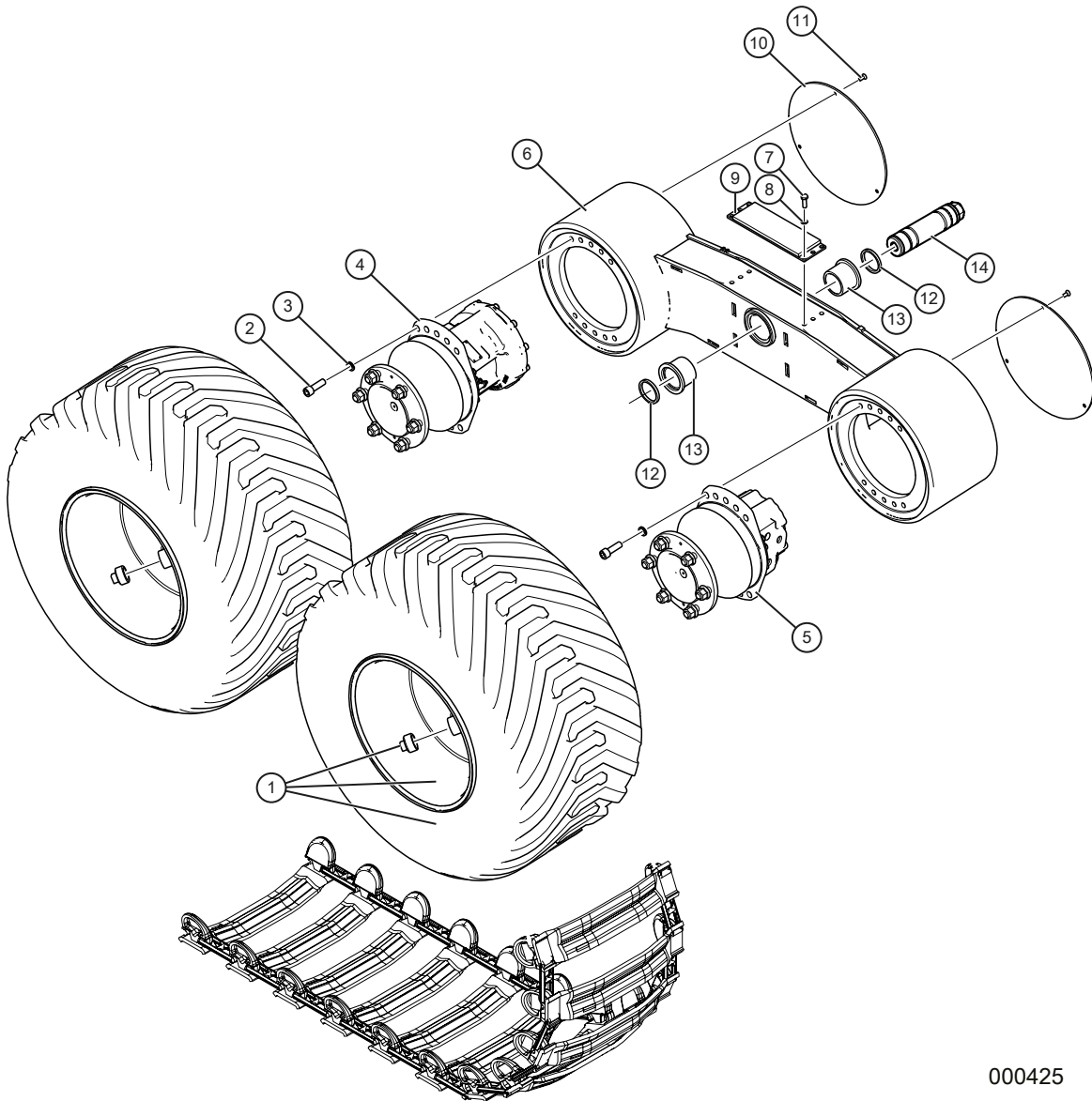


000628

Tipper body

Pos	Art.	Qty.	Description	Remarks
	TE-710185		Tipper body	Complete
1	TE-703624	1	Fastening beam	
2	TE-703648	1	Tipper body	
3	TE-701600	2	Spacer sleeve	
4	TE-701597	2	Pivot pin	
5	TE-701601	1	Lifting bracket	
6	TE-702488	2	Cup, tensioning pipe	
7	TE-701604	1	Tailgate	
8	KT-791034	2	Bearing housing	
9	KT-131201	2	Body lock	Surface-mounted
10	KT100179	4	Trailer bolt	MVBF 16x60 8.8 FZB
11	09-266793	8	Flange screw	M6SF 8x16 8.8 FZB
12	K6077-201	2	Screw	M6SH 16x40 8.8 FZB
13	KT100180	4	Screw	M6S 16x55 10.9 FZB
14	KT100024	1	Screw	M6S 20x240 8.8 FZB
15	09-266309	2	Screw	M6S 30x150 8.8 FZB
16	K6152-051	10	Flat washer	BRB M16 FZB
17	K6152-07	2	Flat washer	BRB M20 FZB
18	KT100178	2	Flat washer	BRB M30 FZB
19	K6163-002	4	Locking washer	Nordlock M16
20	K6131-07	4	Nut	M6M 16 8 FZB
21	KT-266259	4	Lock nut	LM6M 16 10 FZB
22	K6135-12	1	Lock nut	LM6M 20 8 FZB
23	KT100177	2	Lock nut	LM6M 30 8 FZB

Wheel suspension, welded bogie - Poclain

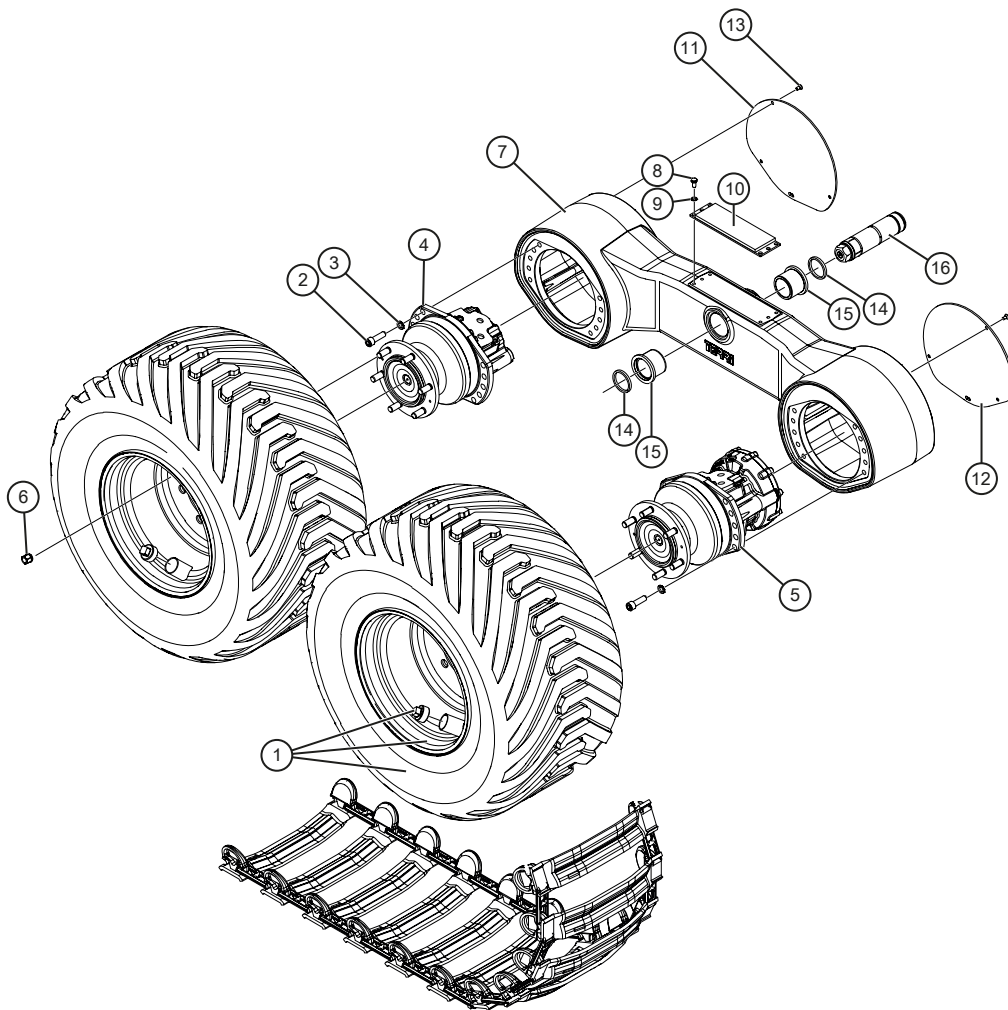


000425

Wheel suspension, welded bogie - Poclain

Pos	Art.	Qty.	Description	Remarks
1	KT-791186H	2 pcs	Wheel complete	Right, Poclain Reinforced
1	KT-791186V	2 pcs	Wheel complete	Left, Poclain Reinforced
-	KT-791046	2 pcs	Tyre	TVS 500/50-17
-	KT-790967	2 pcs	IMP & inner tube	500/50-17
-	KT-791326	2 pcs	Rim	Reinforced, Red, Poclain 8WD
-	KT-791166	2 pcs	Protection cover	Rim
2	KT-6067-281	20 pcs	Hex screw	MC6S 16x50 12.9 FZB
3	K6163-002	20 pcs	Locking washer	Nordlock M16
4	KT-791226	1 pc	In-wheel motor	With parking brake 1248cc Poclain
5	KT-791225	1 pc	In-wheel motor	Without parking brake 1248cc Poclain
6	TE-702295	1 pc	Bogie, welded	Left
6	TE-702296	1 pc	Bogie, welded	Right
7	K6077-02	6 pcs	Screw	M6S 10x30 8.8 FZB ISO 4017
8	K6163-003	6 pcs	Locking washer	Nordlock M10
9	TE-701735	1 pc	Damper	Bogie arm, 8WD
10	TE-702310	2 pcs	Cover	In-wheel motor Poclain
11	K6085-021	6 pcs	Screw	MF6S 8x20 8.8
12	KT-791131	2 pcs	Wiper	Bogie bearing
13	TE-701951	2 pcs	Bearing	Bogie
14	KT-790988	1 pc	Expander shaft	Bogie arm
-	KT-790988-1	2 pcs	O-ring	Right/Left
-	KT-790988-2	1 pc	Sleeve	Right. Std
-	KT-790988-9	1 pc	Sleeve	Left. Std
-	KT-790988-5	1 pc	Washer	
-	KT-790988-6	1 pc	Nut	
-	KT-790988-7	1 pc	Stud bolt	M24 grease L:243
-	KT-790988-8	1 pc	Grease nipple	1/8"
	KT-790988-3		Sleeve	Right. TDC
	KT-790988-4		Sleeve	Left. TDC

Wheel suspension, cast bogie - Poclain



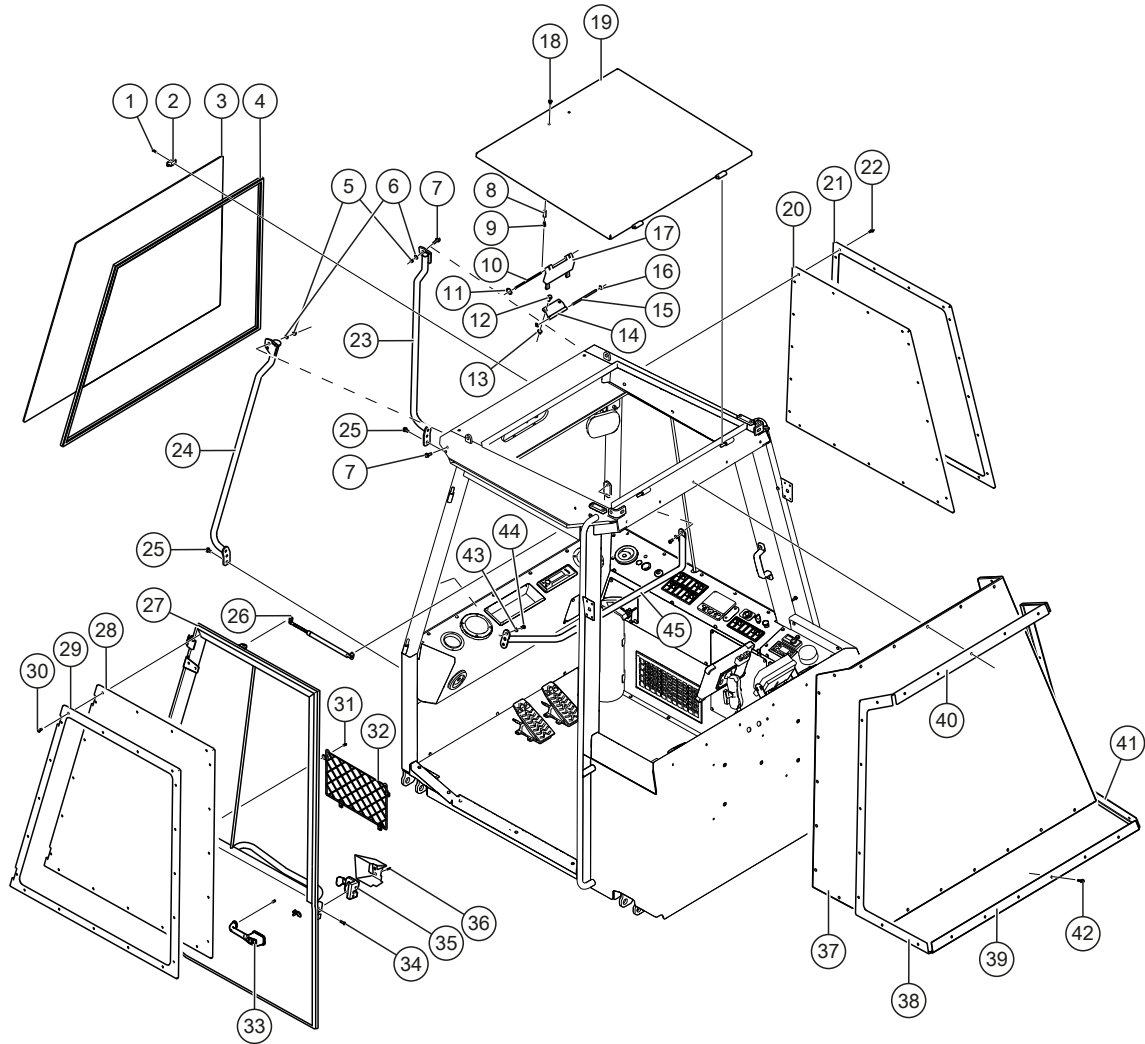
000424

Wheel suspension, cast bogie - Poclain

Pos	Art.	Qty.	Description	Remarks
1	KT-791186H	2 pcs	Wheel complete	Right, Poclain Reinforced
	KT-791186V	2 pcs	Wheel complete	Left, Poclain Reinforced
-	KT-791046	2 pcs	Tyre	TVS 500/50-17
-	KT-790967	2 pcs	IMP & inner tube	500/50-17
-	KT-791326	2 pcs	Rim	Reinforced, Red, Poclain 8WD
-	KT-791166	2 pcs	Protection cover	Rim
2	KT-6067-281	20 pcs	Hex screw	MC6S 16x50 12.9 FZB
3	K6163-002	20 pcs	Locking washer	Nordlock M16
4	KT-791225	1 pc	In-wheel motor	Without parking brake 1248cc Poclain
5	KT-791226	1 pc	In-wheel motor	With parking brake 1248cc Poclain
6	KT-791238	12 pcs	Wheel nut	M18x1.5
7	TE-702846	1 pc	Bogie, cast	Right
	TE-702847	1 pc	Bogie, cast	Left
8	K6077	6 pcs	Screw	M6S 10x20 FZB ISO 4017
9	K6163-003	6 pcs	Locking washer	Nordlock M10
10	TE-701735	1 pc	Damper	Bogie arm, 8WD
11	TE-703114	1 pc	Cover	I
12	TE-703115	1 pc	Cover	II
13	09-267485	6 pcs	Screw	MF6S 8x16 8x8 FZB
14	KT-791131	2 pcs	Wiper	Bogie bearing
15	TE-701951	2 pcs	Bearing	Bogie
16	KT-790988	1 pc	Expander shaft	Bogie arm
-	KT-790988-1	2 pcs	O-ring	Right/Left
-	KT-790988-2	1 pc	Sleeve	Right. Std
-	KT-790988-9	1 pc	Sleeve	Left. Std
-	KT-790988-5	1 pc	Washer	
-	KT-790988-6	1 pc	Nut	
-	KT-790988-7	1 pc	Stud bolt	M24 grease L:243
-	KT-790988-8	1 pc	Grease nipple	1/8"
	KT-790988-3		Sleeve	Right. TDC
	KT-790988-4		Sleeve	Left. TDC

7 CAB

Windows, doors and hatches

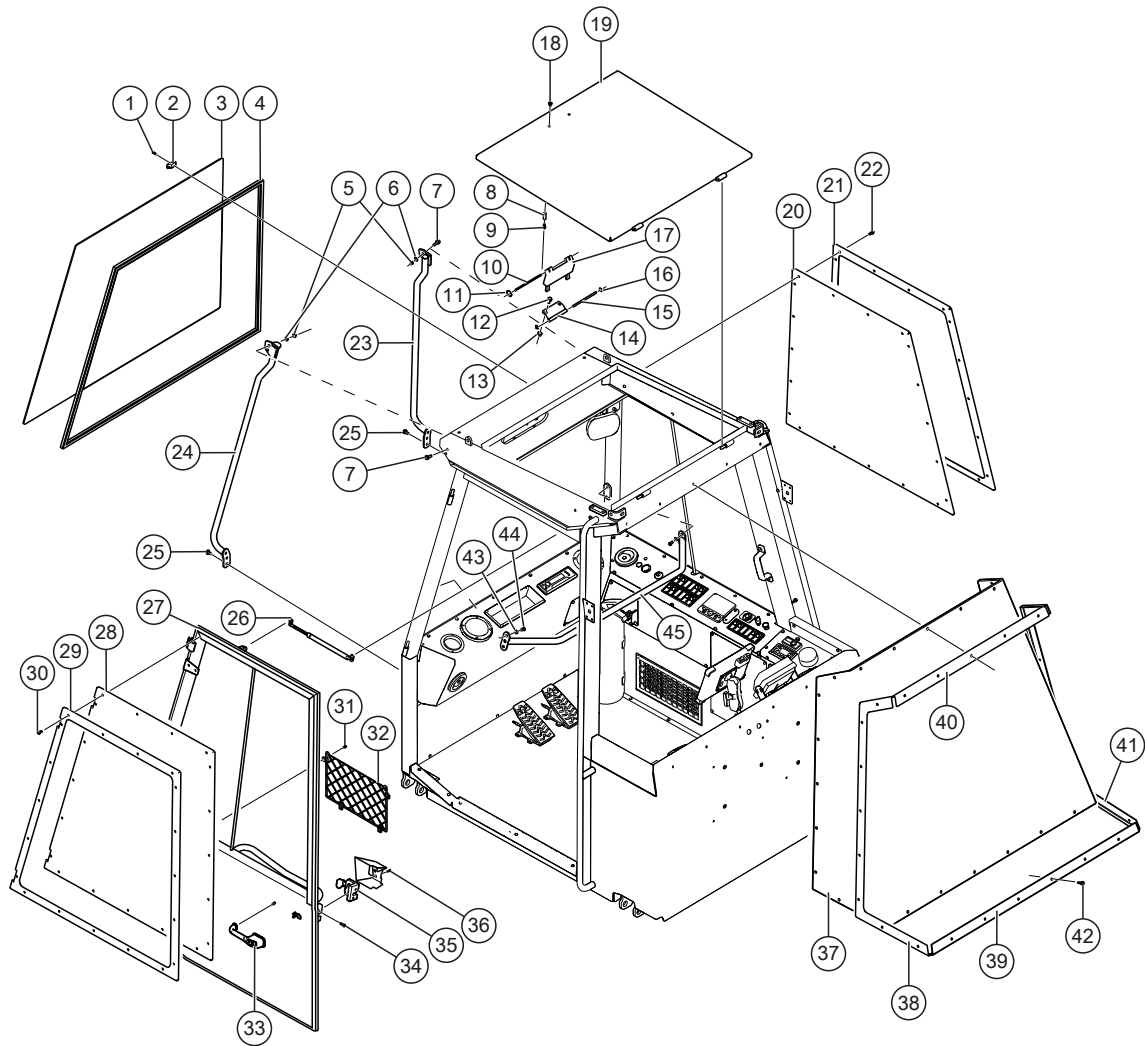


000437

Windows, doors and hatches

Pos	Art.	Qty.	Description	Remarks
1	K6078-310	8 pcs	Screw	K6S 5x16 10.9 FZB
2	KT-790692	8 pcs	Glass mount windscreen	
3	KT-63155	1 pc	Windscreen	
4	KT-0541	LM	Sealing strip windscreen	L=4000 mm
5	K6134	4 pcs	Lock nut	Nyloc M8 FZB
6	K6151	4 pcs	Flat washer	BRB M8
7	09-266037	4 pcs	Flange screw	M6SF 8x25
8	KT-162820	2 pcs	Spacer nut	M6HM M6x30x10 FZB
9	KT-52996	2 pcs	Bolt, window lock	
10	KT-52933	1 pc	Dowel window lock	
11	KT-790700	1 pc	Key ring	25 mm
12	09-266036	2 pcs	Flange screw	M6SFT 8x20 8.8 FZB
13	09-265605	2 pcs	Flange lock nut	LM6MF 8 FZB
14	TE-67545	1 pc	Fittings for roof hatch	
15	KT-52971	1 pc	Axle pin, window lock	
16	KT-790710	2 pcs	Clip	
17	KT-790690	1 pc	Handle roof hatch	
18	09-265543	2 pcs	Flange screw	M6SFT 6x12 8.8 FZB
19	TE-38339	1 pc	Roof hatch	
	T3999042	LM	Edge strip roof hatch	L=3200 mm
20	KT-63189	1 pc	Side window	SAPHIR 8 mm
21	TE-38330	1 pc	Side window frame	Right
22	09-266243	19 pcs	Flange screw	M6SFT 6x16 8.8 FZB
23	TE-701760	1 pc	Guard right, windscreen	
24	TE-701761	1 pc	Guard left, windscreen	
25	09-267180	4 pcs	Flange screw	M6SFT 8x16 8.8 FZB
26	T53030	1 pc	Gas cylinder	
	T6493506	2 pcs	Swivel joint	M6/M8
	09-267024	2 pcs	Bracket, ball fitting	M8
27	TE-38329	1 pc	Door frame	
	KT-0547C	LM	Rubber strip around door	L=4800 mm
28	KT-63186	1 pc	Door window	SAPHIR 8 mm
29	TE-38331	1 pc	Door window frame	
	KT-580908	LM	Butyl tape	8 mm. Seal side window, door, rear window
30	09-266243	19 pcs	Flange screw	M6SFT 6x16 8.8 FZB
31	09-266326	4 pcs	Screw	MRT-TT 6X12 FZB

Windows, doors and hatches

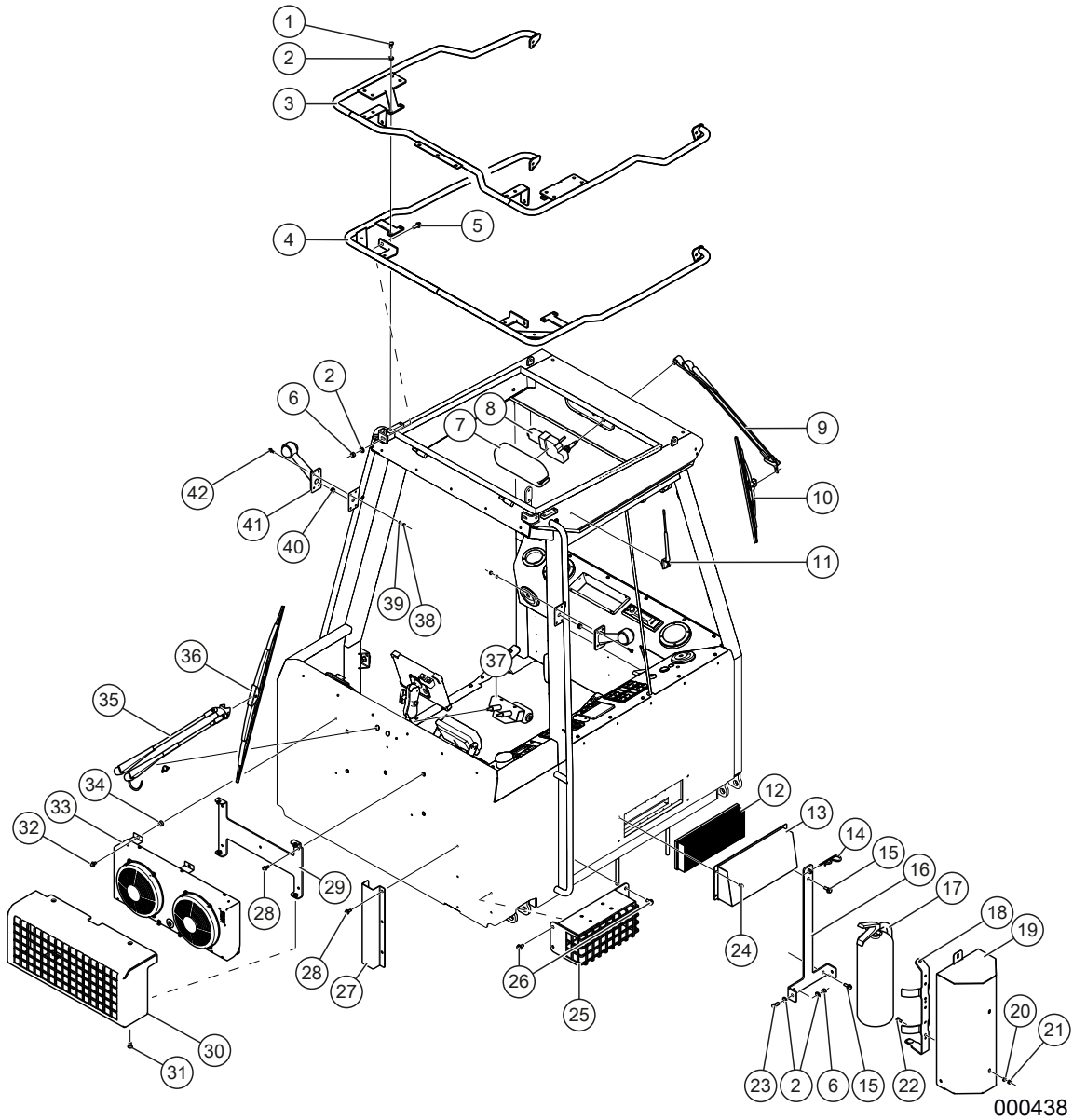


000437

Windows, doors and hatches

Pos	Art.	Qty.	Description	Remarks
32	KT-840500	1 pc	Mesh pocket	360x220
33	KT-790691	1 pc	Door handle with lock	
	KT-790691-1		Key for door handle with lock	
34	K6085-0012	2 pcs	Screw	MF6S 6x25 10.9 FZB
	K6133	2 pcs	Lock nut	Nyloc M6 FZB
35	KT-890038	1 pc	Safety lock, left	
	KT-890039	1 pc	Locking pin	M12
	KT-890040	1 pc	Nut	M12x1.0
	KT-003602	1 pc	Protective bar, lock	
36	TE-702902	1 pc	Cover for locking mechanism	
37	KT-38890	1 pc	Rear window	SAPHIR 12 mm
38	TE-38891V	1 pc	Rear window bracket	Left
39	TE-67549	1 pc	Rear window bracket	Lower
40	TE-67548	1 pc	Rear window bracket	Upper
41	TE-38891H	1 pc	Rear window bracket	Right
42	09-266035	27 pcs	Flange screw	M6SFT 6x25 8.8 FZB
43	K6163-004	4 pcs	Locking washer	Nordlock M8
44	81-0467	4 pcs	Screw	K6S 8x16 FZB
45	TE-702806	1 pc	Handle in cab	

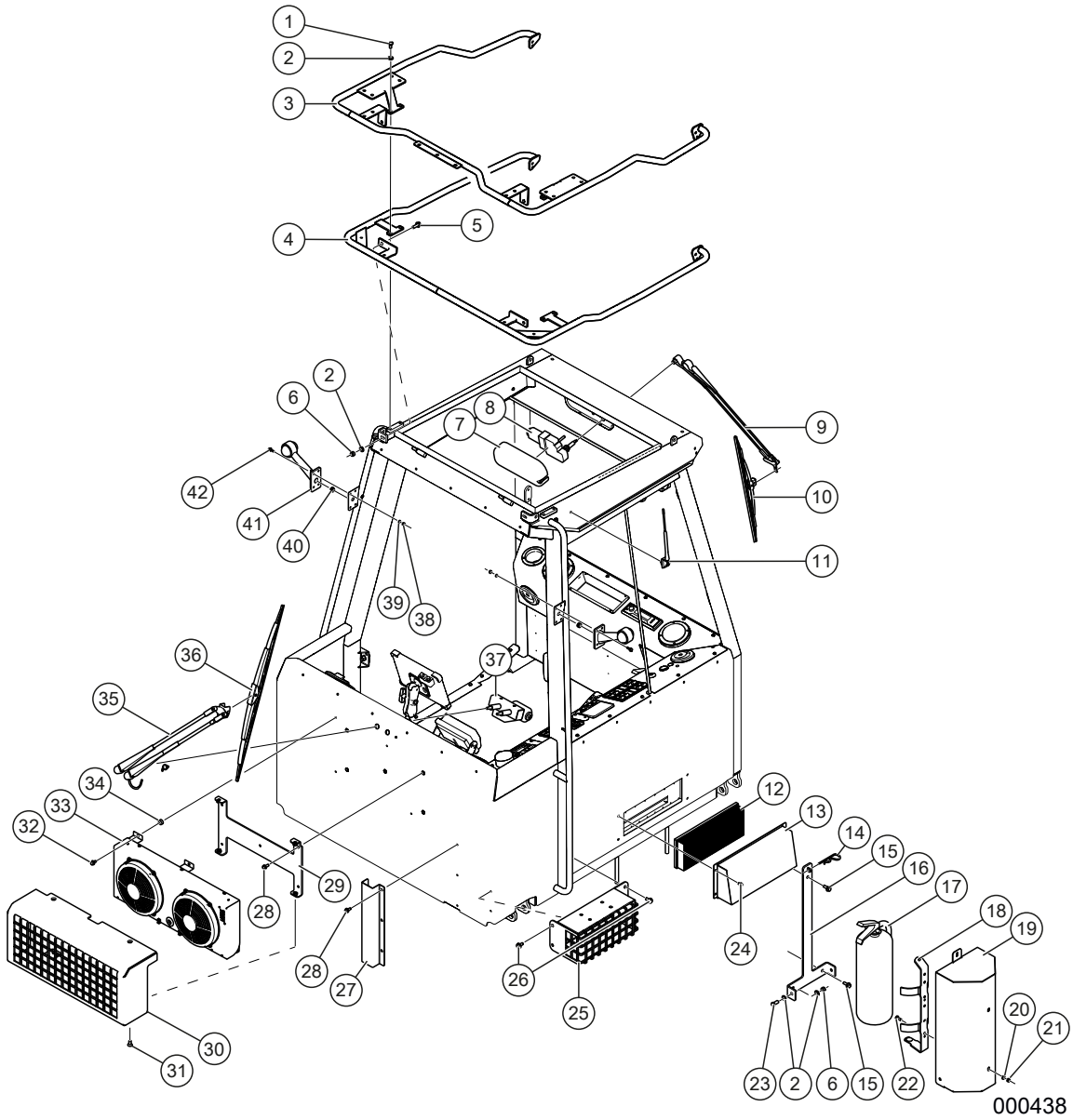
Cab, exterior



Cab, exterior

Pos	Art.	Qty.	Description	Remarks
1	K6077-01	4 pcs	Screw	M6S 10x16 8.8 FZB
2	83-0051-FZB	6 pcs	Washer	BRB 10.5x22x2.0 FZB
3	TE-702517	1 pc	Loose roof rack	High
4	TE-702520	1 pc	Loose roof rack	Low
5	09-267053	2 pcs	Flange screw	M6SFT 10x30 8.8 FZB
6	K6135	4 pcs	Lock nut	Nyloc M10 FZB
7	KT-68140015	1 pc	Protective cover, wiper motor	Front
8	KT-240001	1 pc	Wiper motor, 24V	Windscreen, see <i>Lighting and wiper motors</i> , page 209
9	T53003	1 pc	Wiper arm	Front
10	T53002	1 pc	Wiper blade	Front
11	KT-791098	1 pc	Aerial	DAB FM/AM
12	T53009	1 pc	Filter air intake	
13	TE-38346	1 pc	Filter cover	
14	KT-2326	1 pc	Cotter pin	5 mm
15	09-267027	3 pcs	Flange screw	M6SFT 10x25 8.8 FZB
16	TE-701539	1 pc	Fire extinguisher bracket	
17	KT-790050	1 pc	Fire extinguisher	6 kg. Incl. bracket.
-18	KT-790050-1	1 pc	Bracket	
19	TE-701536	1 pc	Cover fire extinguisher	
20	K6151	2 pcs	Flat washer	BRB M8 FZB
21	K6134	2 pcs	Lock nut	Nyloc M8 FZB
22	K6075	2 pcs	Screw	M6S 8x20 8.8 FZB
23	K6078-02	2 pcs	Screw	M6S 10x25 8.8 FZB
24	09-265543	4 pcs	Flange screw	M6SFT 6x12
25	TE-700466	1 pc	Lamp guard	
26	09-265702	4 pcs	Flange screw	M6SFT 10x20 8.8 FZB
27	TE-702634	1 pc	Cover AC hoses	
28	09-266036	8 pcs	Flange screw	M6SFT 8x20 8.8 FZB
29	TE-701100	1 pc	Bracket AC condenser protective cover	
30	TE-702572	1 pc	Protective cover AC condenser	
31	K6058-40	4 pcs	Screw	MF6S 10x20 10.9 FZB
32	09-267180	4 pcs	Flange screw	M6SFT 8x16 8.8 FZB
33	KT-5001508	1 pc	Accessory kit, AC	Poclaine
34	TE-701235	4 pcs	Spacer engine hood	
35	KT-790695	1 pc	Wiper arm	Rear. L=650 mm (parallel)
	KT-790696	1 pc	Spray nozzle for arm	

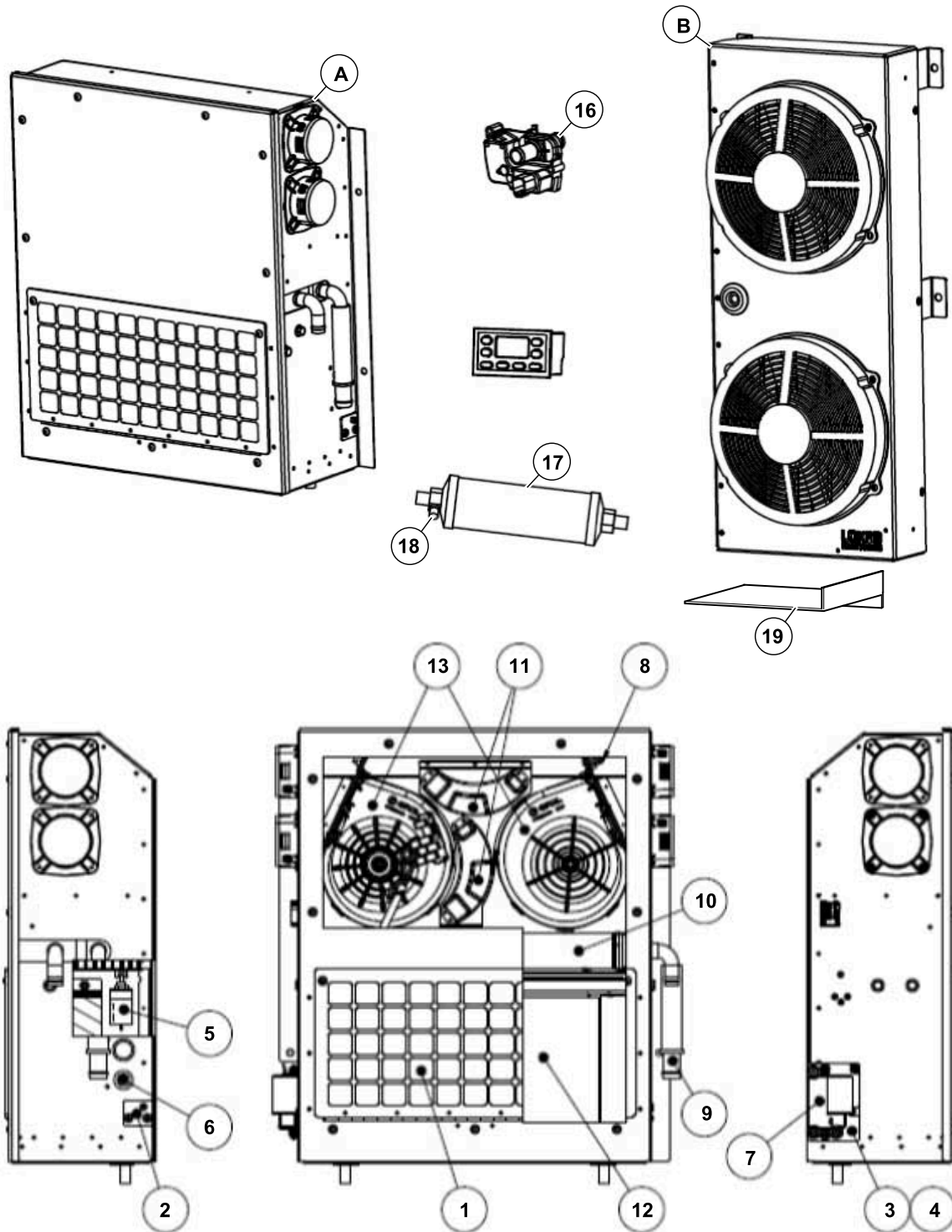
Cab, exterior



Cab, exterior

Pos	Art.	Qty.	Description	Remarks
	TE-790697	1 pc	Clamp	12x4
	KT-790698	LM	Washer hose	3.5 X 6 mm Black. L=700 mm
	KT-186204	LM	PVC hose	5.0 x 1.5. L=2500 mm. Between washer pump and wiper
	KT-65669020	1 pc	Grommet, washer	
36	KT-790694	1 pc	Wiper blade	Rear. L=800 mm
37	KT-240000	1 pc	Wiper motor, 24V	Rear window, see <i>Lighting and wiper motors</i> , page 209
38	K6133	8 pcs	Lock nut	Nyloc M6 FZB
39	K6150	8 pcs	Washer	BRB M6 FZB
40	KT-186307	2 pcs	Cable grommet	
41	T50462	1 pc	Turn signal arm, pair. W/o bulb	
42	09-267180	4 pcs	Flange screw	M6SFT 6x20 8.8 FZB

Air conditioner ECC kit

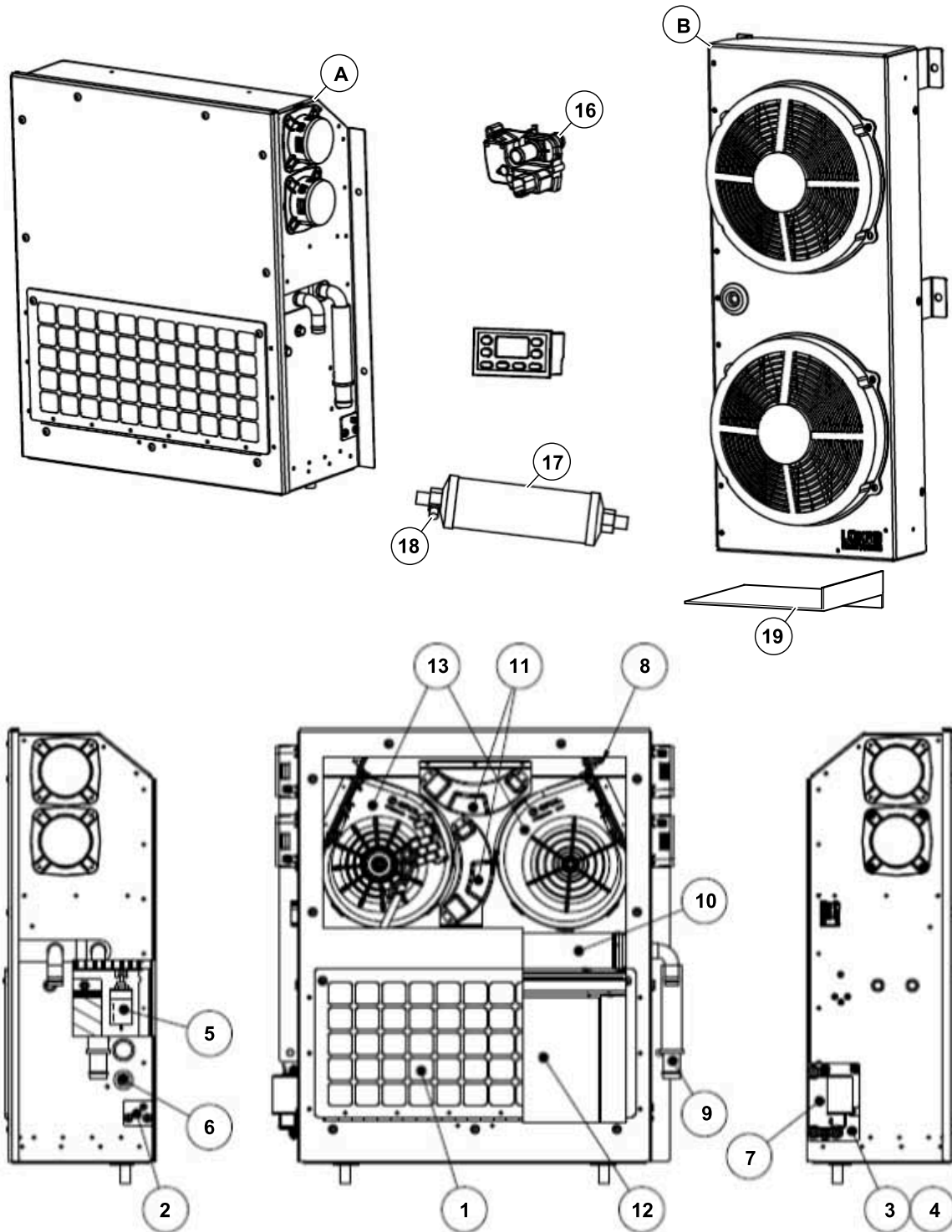


000039

Air conditioner ECC kit

Pos	Art.	Qty.	Description	Remarks
A	KT-240043	1 pc	HVAC unit	24V
	KT-8002520		Block	9-pin
	KT-8002163		Sleeve	0.5-1.0 mm ²
	KT-791233	1 pc	Wiring harness ECC controller	
	KT-5001488		Accessory kit, AC	Black Bruin
	KT-5001508		Accessory kit, AC	Poclaine
	KT-790775	2 pcs	Y-pipe defroster hose	
	KT-790712	1 pc	Sensor	Outside
	KT-790779	2 pcs	Sensor	Inside
	KT-790780	1 pc	Water valve, stepless	
	KT-791491	1 pc	ECC controller	Replaces KT-791313
	KT-240038	2 pcs	Fan, air, heater assembly	24V
	KT-790037		O-ring	5/8" #6 R134a 10 pack
	KT-790038		O-ring	3/4" #8 R134a 10 pack
	KT-790039		O-ring	7/8" R12 and R134a 10 pack
	KT-765020		AC compressor	
	KT-7003416		Adapter	Large
	KT-7003426		O-ring	Large
	KT-7003417		Adapter	Small
	KT-7003427		O-ring	Small
B	KT-240039	1 pc	AC condensor	Complete, 24V
-	KT-703306	1 pc	Wiring harness	AC condensor
-	KT-240040	2 pcs	Fan condensor	24V
-	KT-2719192	2 pcs	Contact	DT 2-pin male
-	KT-790042	1 pc	Condensor element	596x191x48
1	KT-791335	1 pc	Coarse filter	
2		1 pc	Damper plate attachment	
3		1 pc	Service hatch	Complete
4		1 pc	Damper plate	Complete
5	KT-791385	1 pc	Thermostat, adjustable	
6	KT-790069	1 pc	Expansion valve	1.5 tonne type block
7	KT-8003348	1 pc	Conversion kit damper motor	
-	KT-8003335	1 pc	Damper motor heater assembly	
-	KT-8003336		Contact damper motor	7-pin
-	KT-8003337		Sleeve	0.5-1.25 mm
8	KT-790779	2 pcs	Sensor inside	Inside

Air conditioner ECC kit

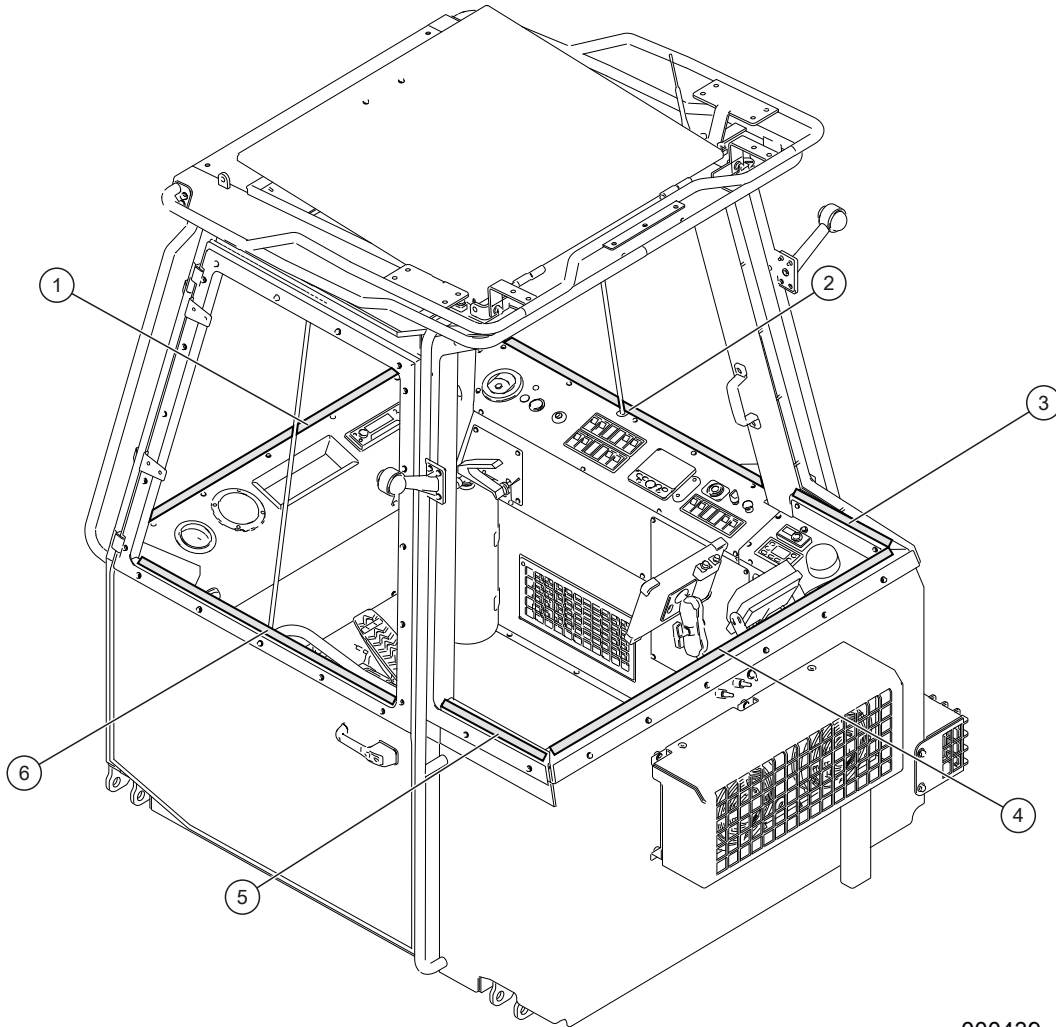


000039

Air conditioner ECC kit

Pos	Art.	Qty.	Description	Remarks
9	KT-8002478	2 pcs	Connection pipe, plastic	D=16-19 mm, L=60
10	KT-790769	1 pc	Heating element	
11	KT-240037	2 pcs	Fan controller ECC	Complete, 24V
12	KT-791386	1 pc	Cooling element HVAC unit	
13	KT-240038	2 pcs	Fan, air, heater assembly	24V
14		1 pc	Wiring harness	12V. Not illustrated
15		2 pcs	Wiring harness fan	Not illustrated
16	KT-790780	1 pc	Water valve, stepless	
17	KT-790832	1 pc	Dryer filter AC, horizontal	
18	KT-790046	1 pc	Pressure switch	High/Low 28-2.0 bar
19	TE-700984	1 pc	Protective cover AC condenser	Lower

Sunshields



000439

Sunshields

Pos	Art.	Qty.	Description	Remarks
	KT-790881		Sunshields	Kit
1	KT-790881-1		Sunshield	Window 1
	KT-790881-10		Mounting kit	Complete. Window 1
2	KT-790881-2		Sunshield	Window 2
	KT-790881-20		Mounting kit	Complete. Window 2
3	KT-790881-3		Sunshield	Window 3
	KT-790881-30		Mounting kit	Complete. Window 3
4	KT-790881-4		Sunshield	Window 4
	KT-790881-40		Mounting kit	Complete. Window 4
5	KT-790881-5		Sunshield	Window 5
	KT-790881-50		Mounting kit	Complete. Window 5
6	KT-790881-6		Sunshield	Window 6
	KT-790881-60		Mounting kit	Complete. Window 6



8 SEAT

Seat features

BeGe 3130L C2 Airvent



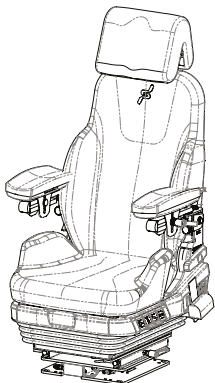
- Air suspended
- XSS foam in seat and backrest cushion with extra side support
- Manual air system (Push-Pull)
- Stepless adjustable shock absorbers
- 640mm backrest
- Sliderrails for forestry & construction use 140 mm
- Adjustable seat cushion 94mm
- Stepless tilt adjustment for seat cushion -4° to +12° (Air operated 30-series)
- Air operated lumbar support, side support (Standard for 30-series)
- 2-point belt
- Weight independent height adjustment 100mm
- Built in 12V compressor (Only 31-series)
- Electrical heating
- Airvent (Active ventilation in seat and backrest)
- Night fall

BeGe 7130L C2



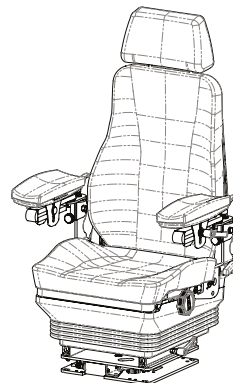
- Air suspended
- Weight independent height adjustment 80mm
- Stepless tilt adjustment for seat cushion 8°
- 3" 2-point belt
- 640mm backrest
- Manual air system (Push-Pull)
- Built in 12V compressor
- XSS foam in seat and backrest cushion with extra side support (Only 640mm rygg)
- Quick release backrest adjustment
- Electrical heating
- Night fall

Seat 3130L C2 (54618397)

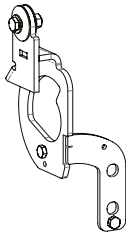


- Seat
- Seat brackets
- Armrests
- Turntable
- Slide rails
- Comfort neckrest
- 2P belt

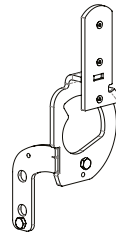
Seat 7130L C2 (54618473)



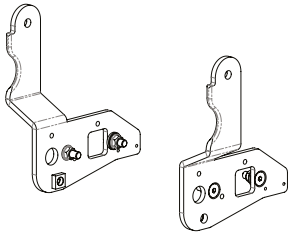
- Seat
- Seat brackets
- Armrests
- Turntable
- Slide rails
- Std neckrest
- 2P belt



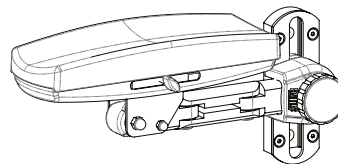
Seat bracket BeGe 3000
800702 LH
800703 RH



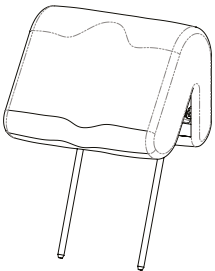
Seat bracket BeGe
800730 RH
800731 LH



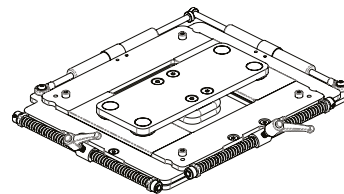
**Seat bracket Kserie BeGe
7000/9000 TJ LH+RH**
800101



Armrests
800170 Armflex E 80 LH
800171 Armflex E 80 RH

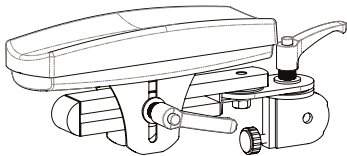


Head rest
42020203-1

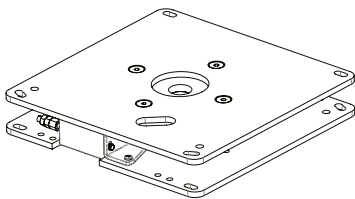


Isolator 4-way
14020310

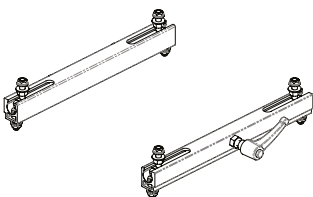
*Optional



Armrest
800113 Armrest K/4/25 LH
800114 Armrest K/4/25 RH



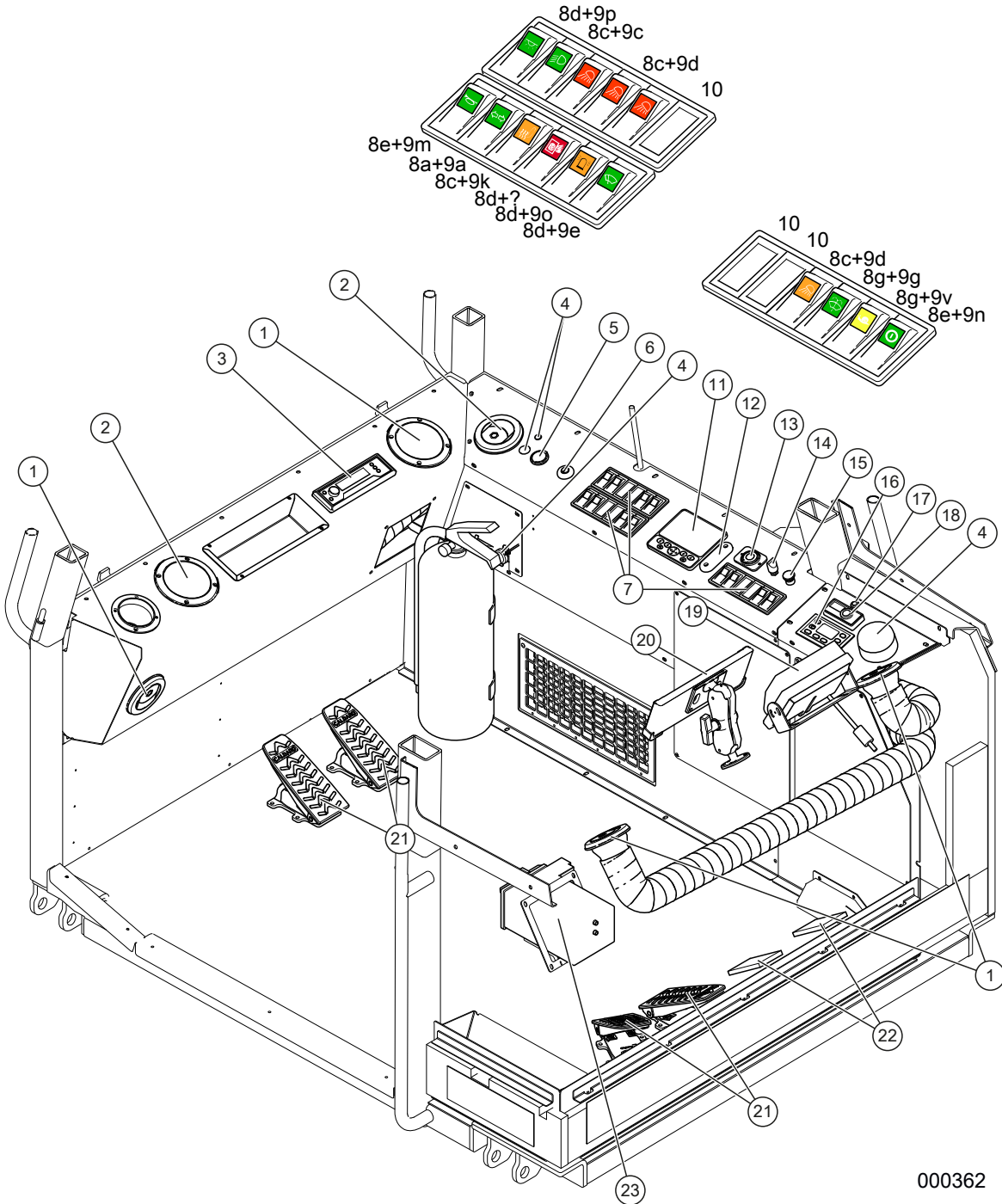
Turntable EV97
13030877



**Slides 280 mm (for 7130-
seat only)**
22020202

9 ELECTRICAL SYSTEM

Switches etc. inside cab

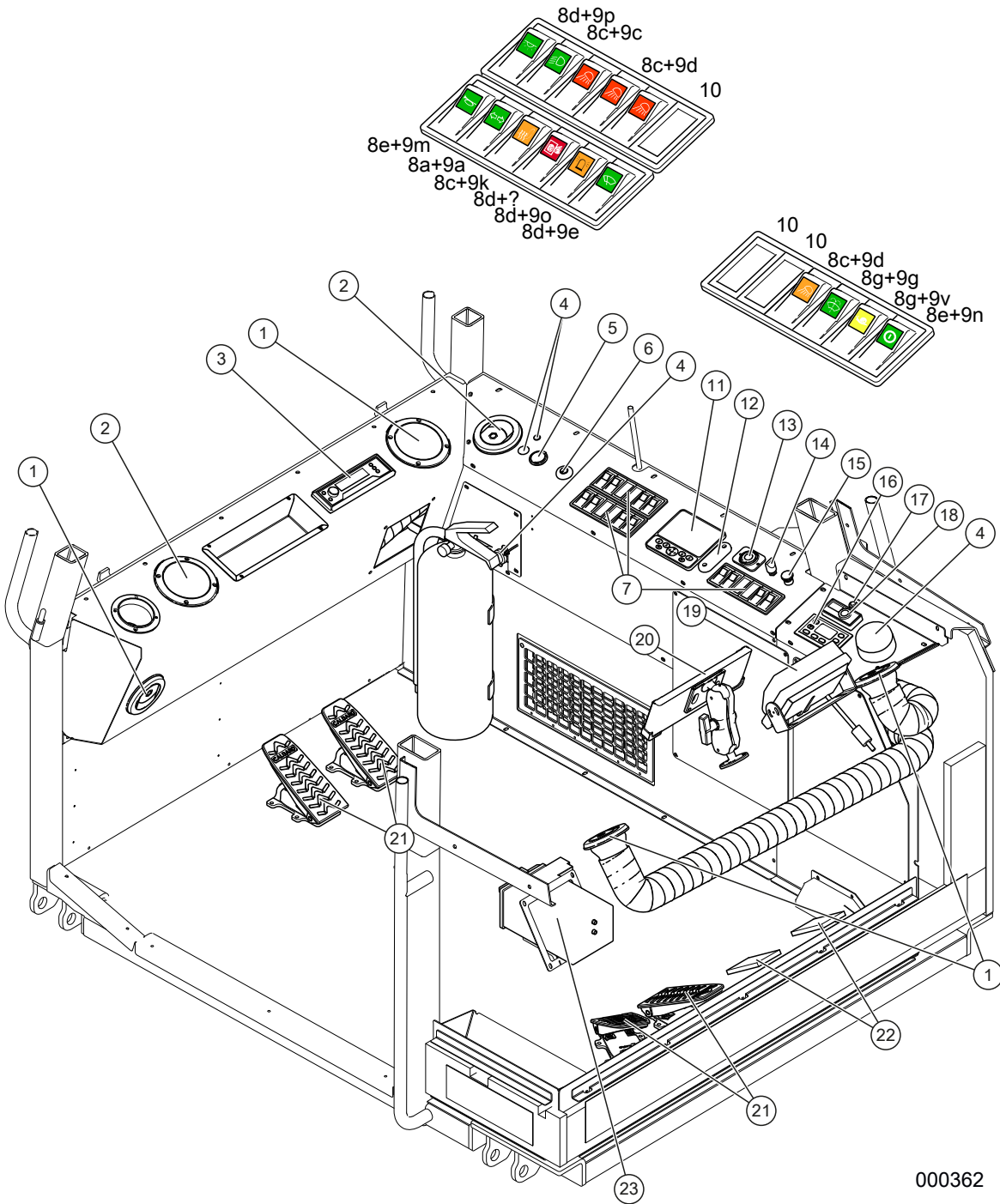


000362

Switches etc. inside cab

Pos	Art.	Qty.	Description	Remarks
				Up to machine T23-026. Not T23-016.
1	KT-790708	5 pcs	Air nozzle	
2	KT-791194	2 pcs	Speaker	
3	KT-791097	1 pc	DAB radio	12V. BT, USB, SD reader
4	KT-791310	1 pc	Fire suppression system Fogmaker	
5	KT-791264	1 pc	Socket	12V, recessed
6	KT-790863	1 pc	Immobiliser CAT	
-	KT-790863-1	1 pc	Key immobiliser CAT	
7	T4299181	3 pcs	Switch panel	
	T51079		Light bulb switch	
	T51078		Lamp holder switch	
8a	T50153		Switch 146	
b	KT-890049		Switch 020	
c	T4299185		Switch, 001	
d	KT-890049		Switch 020	
e	T50125		Switch 007	
f	T50330		Switch 112	
g	T50545		Switch 226	Wheeled machine
	KT-890049		Switch 020	Tracked machine
9a	T50128		Symbol	Turn signal
b	T4299189		Symbol	High beam
c	T4299190		Symbol	Low beam
d	T4299191		Symbol	Work lights
e	T50032		Symbol	Wiper
f	T4299195		Symbol	Brake
g	T50033		Symbol	Wiper/Washer
h	KT-791043		Symbol	Snail
l	KT-890135		Symbol	Differential lock
j	T50557		Symbol	Return oil filter
k	T50550		Symbol	Seat heater
l	T50366		Symbol	Red
m	T50127		Symbol	Signal
n	KT-790862		Symbol	OFF/ON
o	KT-790785		Symbol	Rotating beacon
p	KT-791272		Symbol	Internal light
10	T50237		Cover	

Switches etc. inside cab

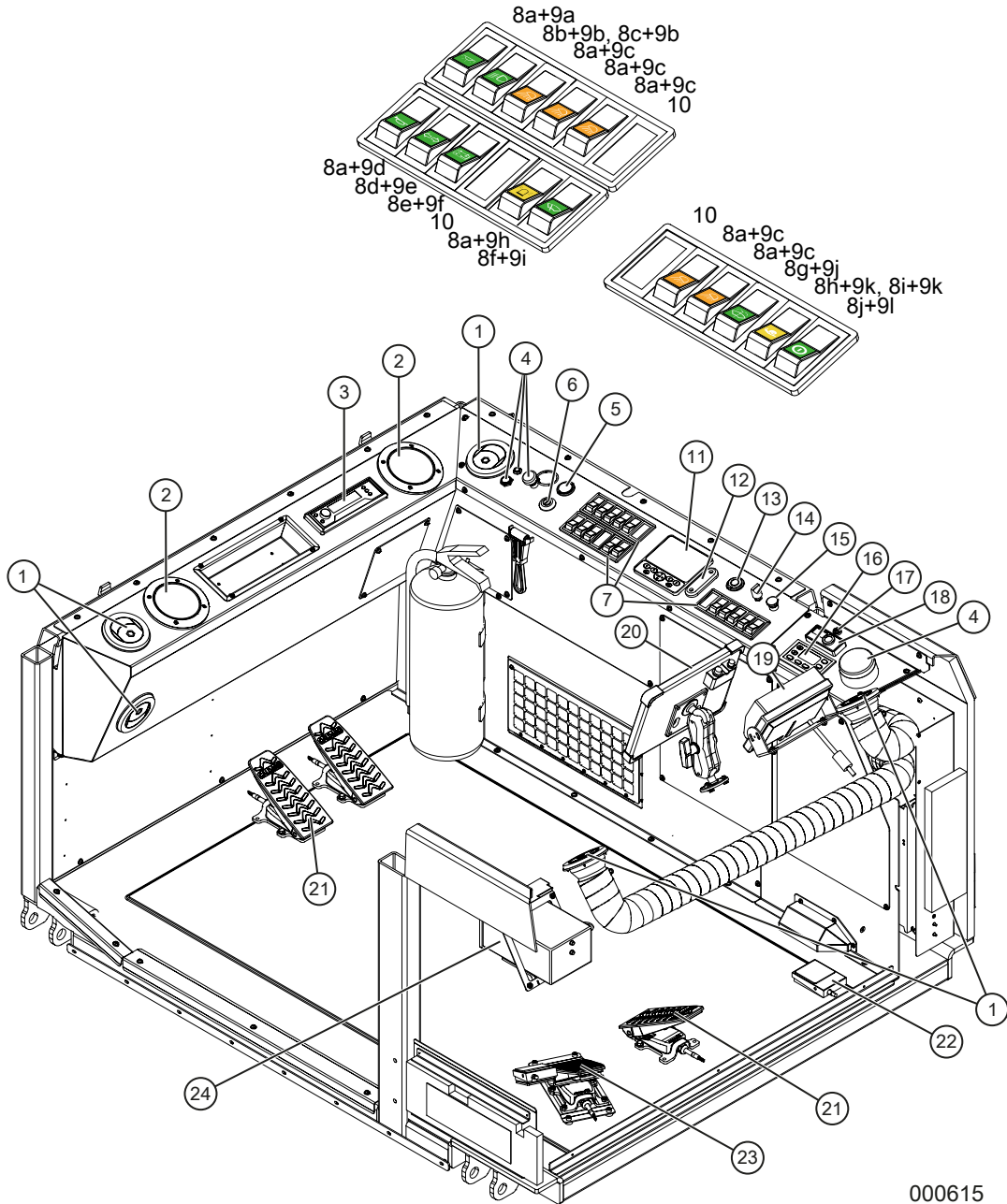


000362

Switches etc. inside cab

Pos	Art.	Qty.	Description	Remarks
11	KT-791203	1 pc	Display	Plus 1
-	KT-791203-1	1 pc	Bracket	
-	KT-791203-2	1 pc	Cable	
12	KT-4690135	1 pc	LED lamp	Red
13	KT-790948	1 pc	USB socket	Double
14	KT-790595	1 pc	Potentiometer	
15	KT-790879	1 pc	Emergency stop, CAT	
16	KT-791313	1 pc	ECC controller	Universal plus Series4
17	KT-791362	1 pc	Push button	Easy start web TP7.1
	KT-791363	1 pc	Push button	Easy start GSM
18	KT-240008	1 pc	Eberspächer controller	
19	KT-791116	1 pc	Camera assembly	7" HD
-	KT-791116-1	1 pc	Monitor	7" HD
-	KT-791116-2		Camera/Reversing camera	HD
-	KT-791116-3		Cable rear view camera	L=3000 mm
-	KT-791116-4		Cable rear view camera	L=5000 mm
-	KT-791116-5		Cable rear view camera	L=10000 mm
-	KT-791116-6		Cable rear view camera	L=15000 mm
20	KT-785179	1 pc	Logmax 510 display	
21	KT-791062	4 pcs	Foot pedal Caldaro	Incl. 1 m cable DTM
22	T50549	2 pcs	Foot switch	Articulation lock
23	KT-240009	1 pc	Lunch box heater	24V

Switches etc. inside cab

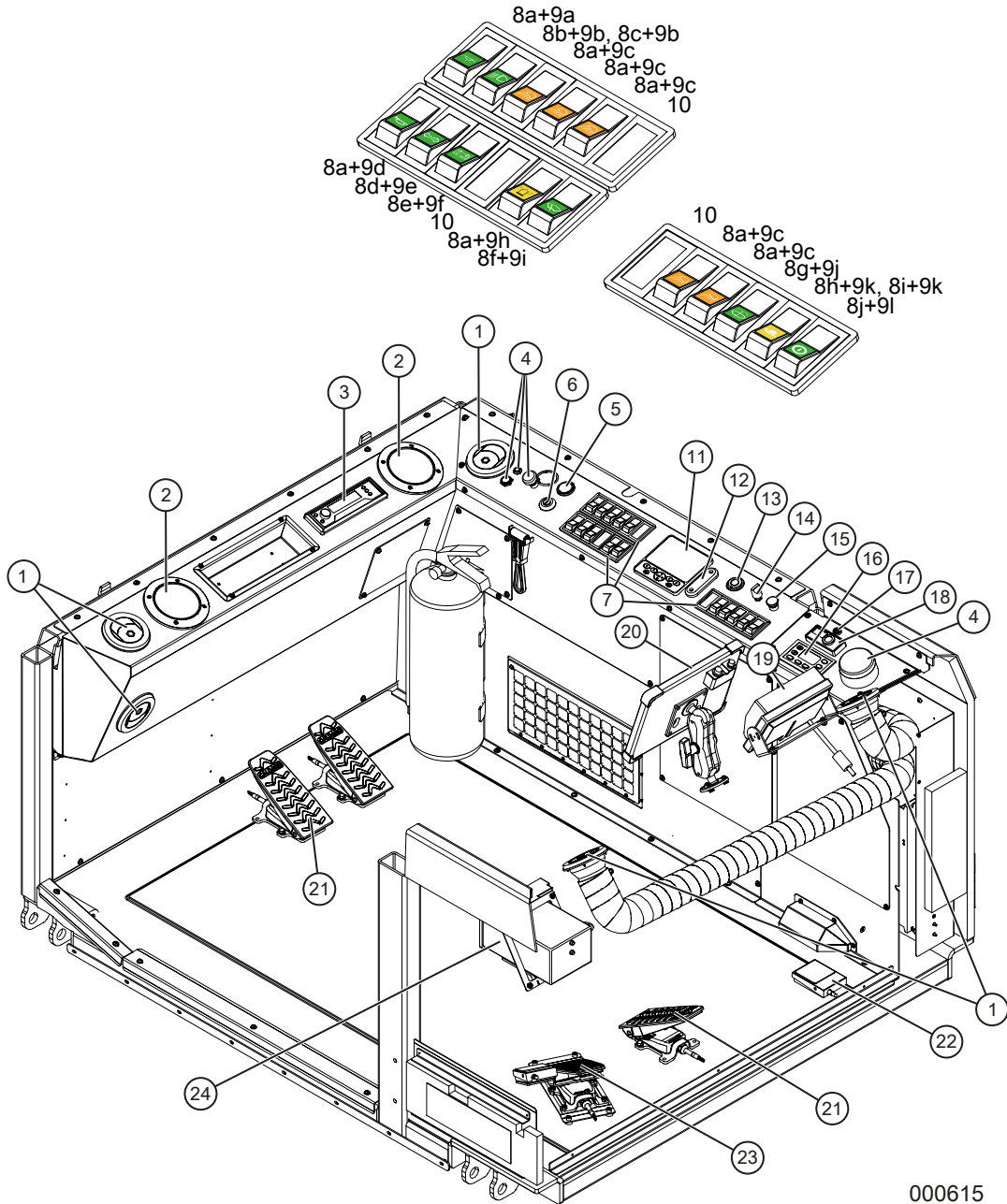


000615

Switches etc. inside cab

Pos	Art.	Qty.	Description	Remarks
				From machine T23-027. Also T23-016.
1	KT-790708	5 pcs	Air nozzle	
2	KT-791194	2 pcs	Speaker	
3	KT-791439	1 pc	DAB radio	24V. DAB/USB/BT/AUX
4	KT-791310	1 pc	Fire suppression system Fogmaker	
5	KT-791443	1 pc	Socket	24V, recessed
6	KT-790863	1 pc	Immobiliser	
-	KT-790863-1	1 pc	Key	
7	T4299181	3 pcs	Switch panel	
	T51079		Light bulb switch	
	T51078		Lamp holder switch	
8a	T4299185-1		Switch 000	
b	T4299186		Switch 026	H4
c	T50545		Switch 226	H7
d	T50153		Switch 146	
e	KT-791448		Switch 181	
f	KT-890049-1		Switch 019	
g	T50330		Switch 112	
h	T50153		Switch 146	Wheeled machine
i	T4299185-1		Switch 000	Tracked machine
j	KT-791060		Switch 127	
9a	KT-791272		Symbol	Internal light
b	T4299190		Symbol	Low beam
c	T4299191		Symbol	Work lights
d	T50127		Symbol	Signal
e	T50128		Symbol	Turn signal
b	T4299189		Symbol	High beam
c	T4299190		Symbol	Low beam
d	T4299191		Symbol	Work lights
e	T50032		Symbol	Wiper
f	TE-703541		Symbol	Power switch
g	T50550		Symbol	Seat heater (not illustrated)
h	KT-790785		Symbol	Rotating beacon
i	T50032		Symbol	Wiper
j	T50033		Symbol	Wiper/Washer
k	KT-890135		Symbol	Snail

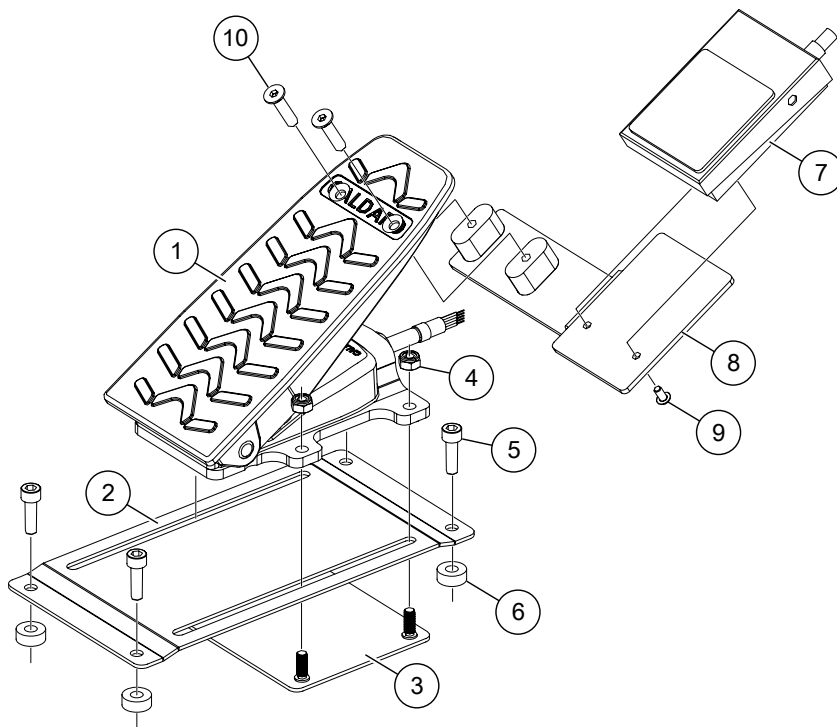
Switches etc. inside cab



Switches etc. inside cab

Pos	Art.	Qty.	Description	Remarks
I	KT-790862		Symbol	OFF/ON
10	T50237		Cover	
11	KT-791203	1 pc	Display	Plus 1
-	KT-791203-1	1 pc	Bracket	
-	KT-791203-2	1 pc	Cable	
12	KT-4690135	1 pc	LED lamp	Red
13	KT-791438	1 pc	Charging socket	USB-C/USB-A
14	KT-790595	1 pc	Potentiometer	
15	KT-790879	1 pc	Emergency stop	
16	KT-791313	1 pc	ECC controller	Universal plus Series4
17	KT-791362	1 pc	Push button	Easy start web TP7.1
	KT-791363	1 pc	Push button	Easy start GSM
18	KT-240008	1 pc	Eberspächer controller	
19	KT-791116	1 pc	Camera assembly	7" HD
-	KT-791116-1	1 pc	Monitor	7" HD
-	KT-791116-2		Camera/Reversing camera	HD
-	KT-791116-3		Cable rear view camera	L=3000 mm
-	KT-791116-4		Cable rear view camera	L=5000 mm
-	KT-791116-5		Cable rear view camera	L=10000 mm
-	KT-791116-6		Cable rear view camera	L=15000 mm
20	KT-785179	1 pc	Logmax 510 display	
21	KT-791062	3 pcs	Foot pedal Caldaro	Incl. 1 m cable DTM
22	T50549	1 pc	Foot switch	Articulation lock. Up to machine T24-004.
	T50549	1 pc	Foot switch	articulation lock/Direction of travel. From machine T24-005
23		1 pc	Throttle pedal, moveable	See <i>Throttle pedal, moveable with foot switch for direction of travel</i> , page 193 or <i>Throttle pedal, moveable without foot switch for direction of travel</i> , page 195.
24	KT-240009	1 pc	Lunch box heater	24V

Throttle pedal, moveable with foot switch for direction of travel

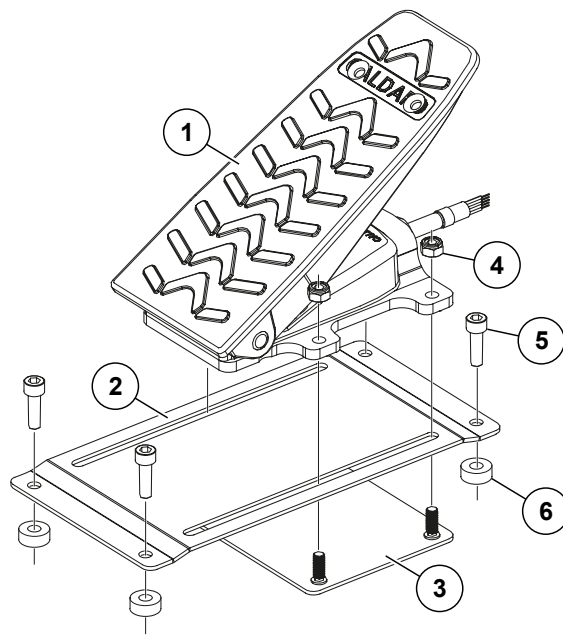


000570

Throttle pedal, moveable with foot switch for direction of travel

Pos	Art.	Qty.	Description	Remarks
				Up to machine T24-004.
1	KT-791062	1 pc	Pedal	Machined (drilled/countersunk)
2	TE-702798	1 pc	Upper part moveable throttle pedal attachment	
3	TE-702797	1 pc	Lower part moveable throttle pedal attachment	
4	K6133	4 pcs	Lock nut	M6M 6 Locking ring
5	K6062-3	4 pcs	Hex screw	MC6S 6x20 8.8 FZB
6	TE-702866	4 pcs	Spacer	T=6 mm
7	T50549	1 pc	Foot switch	Articulation lock
8	TE-703066	1 pc	Mounting bracket	
9	K6078-28	2 pcs	Screw	MK6S 4 x 8 10.9 FZB
10	K6085-0012	2 pcs	Screw	MF6S 6x25 10.9 FZB

Throttle pedal, moveable without foot switch for direction of travel

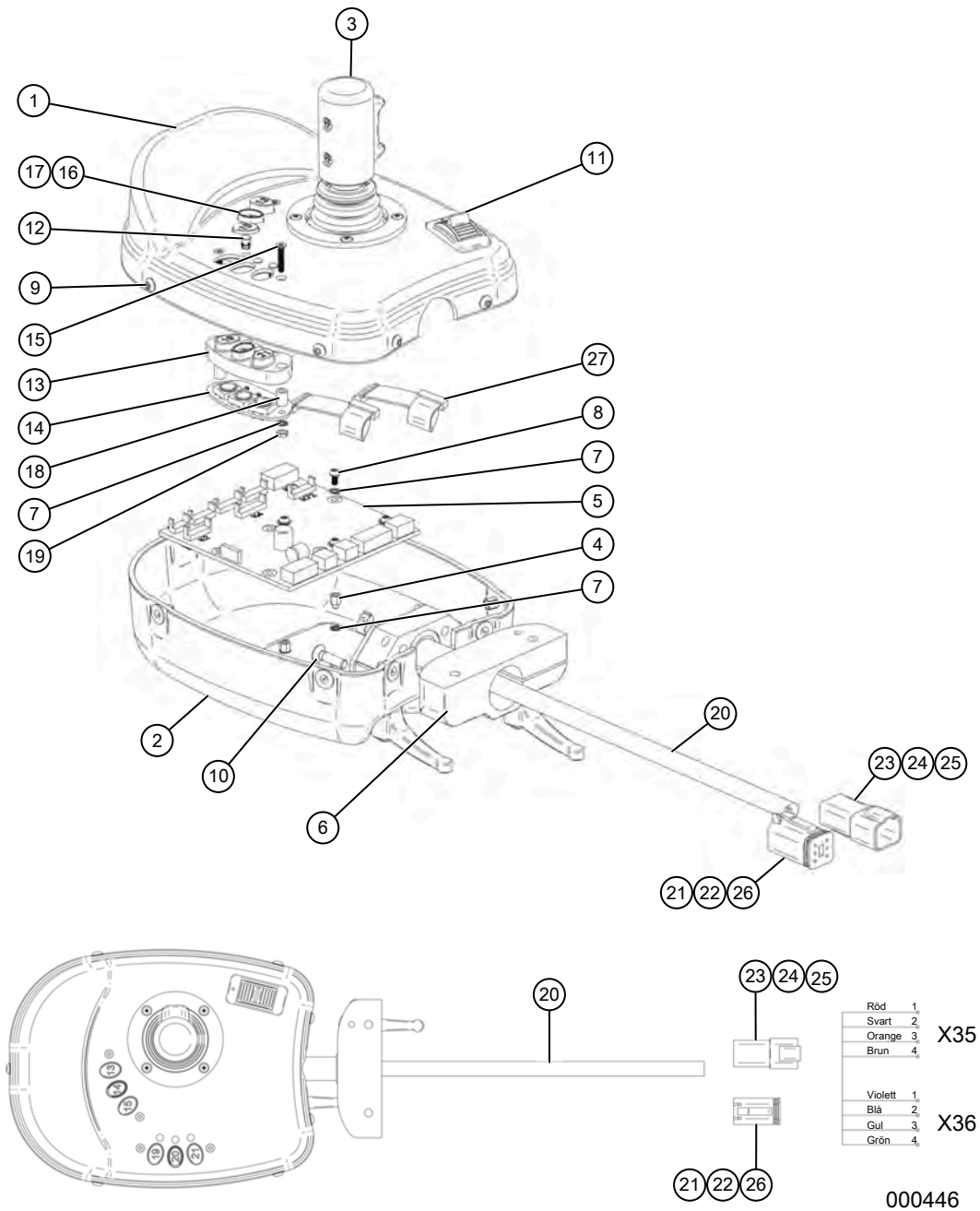


000654

Throttle pedal, moveable without foot switch for direction of travel

Pos	Art.	Qty.	Description	Remarks
				From machine T24-005.
1	KT-791062	1 pc	Pedal	
2	TE-702798	1 pc	Upper part moveable throttle pedal attachment	
3	TE-702797	1 pc	Lower part moveable throttle pedal attachment	
4	K6133	4 pcs	Lock nut	M6M 6 Locking ring
5	K6062-3	4 pcs	Hex screw	MC6S 6x20 8.8 FZB
6	TE-702866	4 pcs	Spacer	T=6 mm

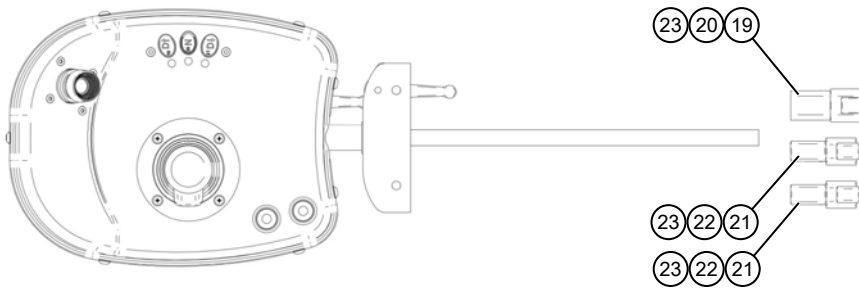
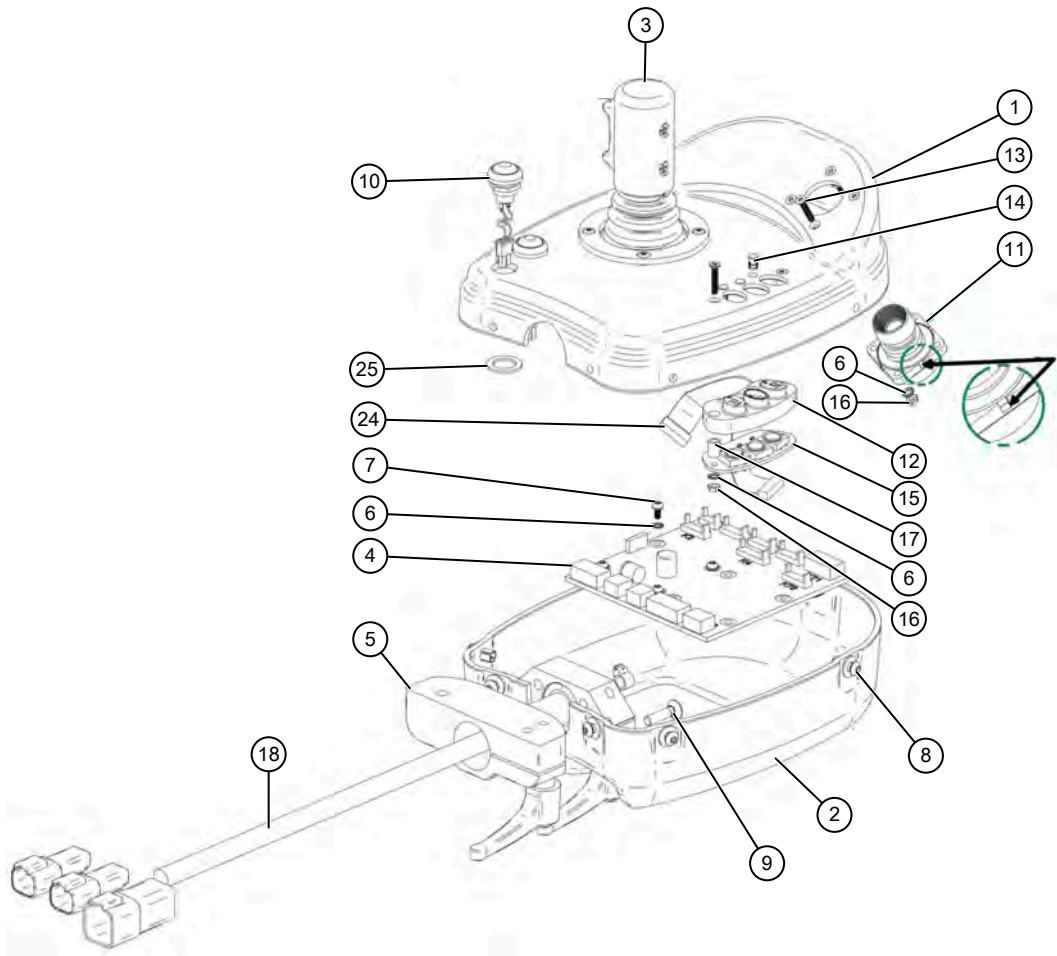
Lever pallet, left



Lever pallet, left

Pos	Art.	Qty.	Description	Remarks
	KT-791270	1 pc	Forwarder lever EP2016, Left	Complete. Up to machine T23-026. Replaced by KT-703348-V.
	KT-703348-V	1 pc	Forwarder lever EP2016, Left	Complete. From machine T23-027. Replaces KT-791270.
	TE-703710	1 pc	Adapter cable	Required when mounting KT-703348-V on machines up to T23-026. Pallets must be changed in pairs R/L
1		1 pc	EP2016 Cover upper left Terri	
2		1 pc	EP2016 Cover lower left cpl 2 LK	
3	KT-S4114	1 pc	Mini lever 3-axis Otto JHM X-int	
-	KT-S8567	1 pc	Damascus Otto JHM std	
4		4 pcs	Spacer 5 mm (thread cut to 3 mm)	
5		1 pc	EP2006 PCB cpl CanBus std v2	
6	KT-790954	1 pc	Bracket, arm rest left	
7		12 pcs	Washer tag LB-AZ M3 Fzb	
8		4 pcs	Screw MRT M3x6 fzb	
9		7 pcs	Screw K6S4x8	
10		2 pcs	Screw MF6S 5x20	
11	KT-S6960	1 pc	Roller Otto HTW Friction cpl	
12		3 pcs	Lens Yellow diameter 4.3 for LED diameter 3	
13	KT-S5427-5	1 pc	EP2006 Silicone 3-Button Left	
14	KT-S6885	1 pc	EP2006 PCB cpl 3 buttons	
15		4 pcs	MFT M3x16 A4 SVOX	
16	KT-S5427-2	1 pc	EP2006 Silicone 3-Button Left	
17	KT-S6884	1 pc	EP2006 PCB cpl 3 buttons	
18		4 pcs	Spacer pipe diameter 6/3.4 L8	
19		4 pcs	Nut M6MM3	
20		1 pc	EP2016 Cable left Terri	
21		1 pc	6-pin socket	
22		1 pc	Lock washer-socket	
23		1 pc	4-pin connector	
24		1 pc	4-pin locking pin connector	
25		4 pcs	Deutsch pin std	
26		4 pcs	Deutsch socket std	
27		2 pcs	Flat ribbon cable 10-way cpl L250	

Lever pallet, right

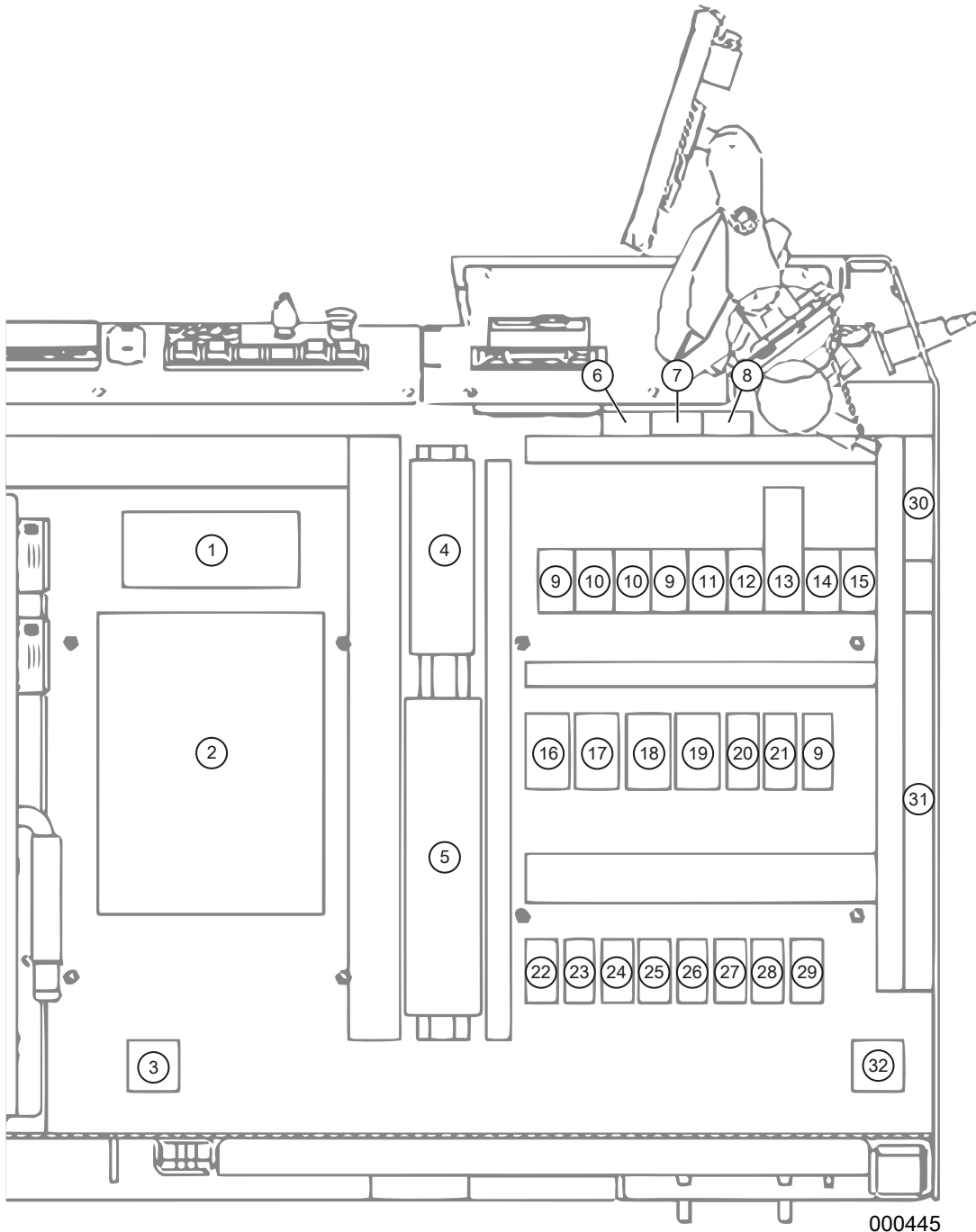


Röd	1	
Svart	2	
Orange	3	X36
Brun	4	
Violett	1	
Bla	2	
Gul	3	
Grön	4	
		XB1
		XB2
		000447

Lever pallet, right

Pos	Art.	Qty.	Description	Remarks
	KT-791271	1 pc	Forwarder lever EP2016, Right	Complete. Up to machine T23-026. Replaced by KT-703348-H
	KT-703348-H	1 pc	Forwarder lever EP2016, Right	Complete. From machine T23-027. Replaces KT-791271.
	TE-703709	1 pc	Adapter cable	Required when mounting KT-703348-H on machines up to T23-026. Pallets must be changed in pairs R/L
1		1 pc	EP2016 Cover upper right Terri	
2		1 pc	EP2016 Cover lower right cpl 2LK	
3	KT-S4114	1 pc	Mini lever 3-axis Otto JHM X-int	
-	KT-S8567	1 pc	Damascus Otto JHM std	
4		1 pc		
5	KT-790953	1 pc	Bracket, arm rest right	
6		10 pcs		
7		4 pcs	Screw MRT M3x6 fzb	
8		7 pcs	Screw K6S4x8	
9		2 pcs	Screw MF6S 5x20	
10	KT-S3250	2 pcs	Pressure switch with cable	
11	TE-791087	1 pc	Finger joystick Excidor, complete	
12	KT-S5693-5	1 pc	EP2006 Silicone 3-button Right	
13		6 pcs	MFT M3x16 A4 SVOX	
14		3 pcs	Lens Yellow diameter 4.3 for LED diameter 3	
15	KT-S6885	1 pc	EP2006 PCB cpl 3 buttons	
16		6 pcs	Nut M6MM3	
17		2 pcs	Spacer pipe diameter 6/3.4 L8	
18		1 pc	EP2016 Cable right Terri	
19		1 pc	6-pin connector	
20		1 pc	6-pin locking pin connector	
21		2 pcs	Deutsch pin std	
22		2 pcs	Locking pin - pin connector	
23		8 pcs	EP2006	
24		1 pc	Flat ribbon cable 10-way cpl L250	
25		2 pcs	Support ring 12"18"1.2	

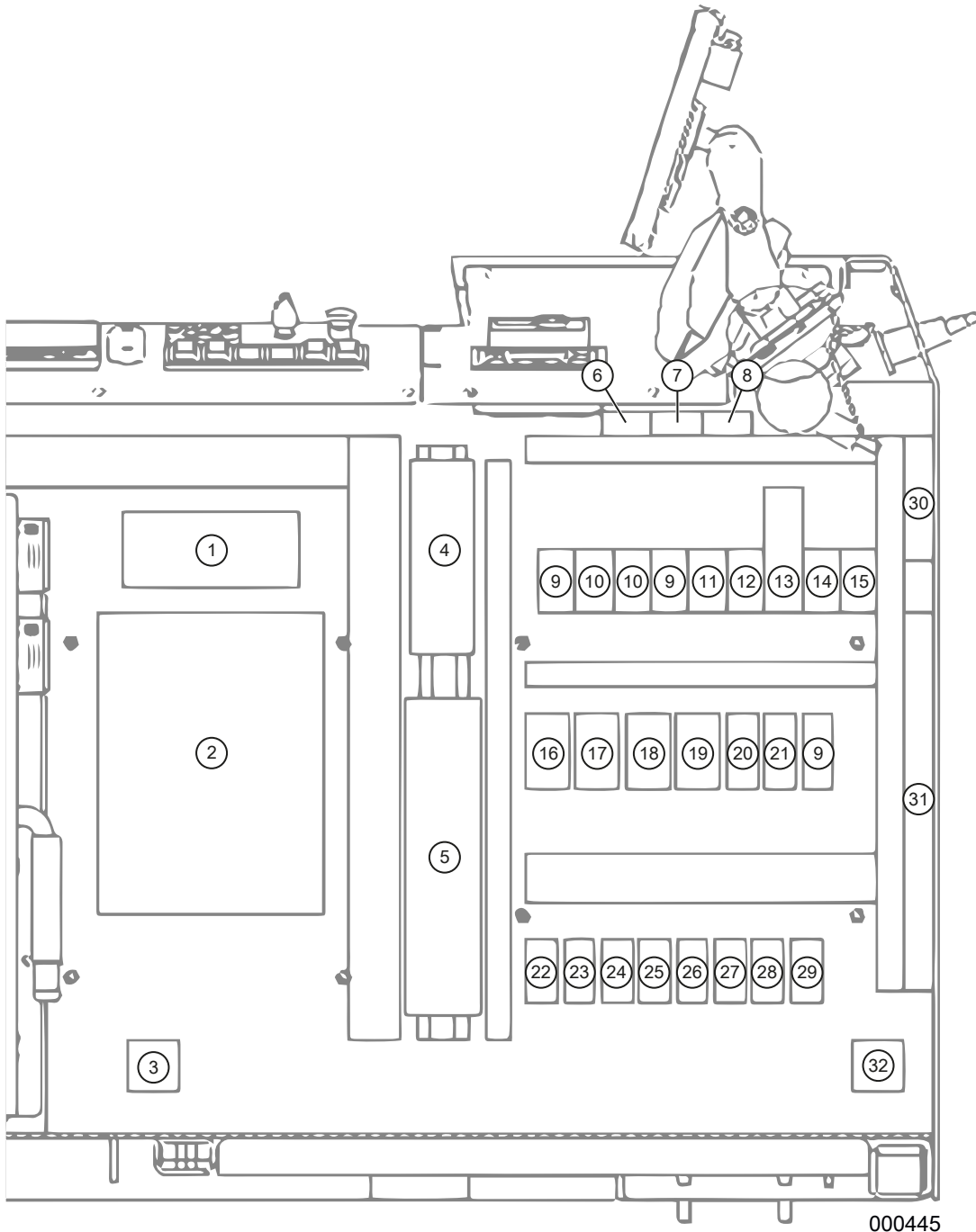
Distribution box



Distribution box

Pos	Art.	Qty.	Description	Remarks
				Up to machine T23-026. Not T23-016.
1	KT-791234	1 pc	Converter	24V-12V
2	KT-791204	1 pc	Controller Plus 1	XL104-0000
3	KT-256201		Flat fuse	5A. Eberspächer
	KT-256401		Flat fuse 10A	Eberspächer
4	KT-1012751		Feed-through terminal, UK 2.5 N	
5	KT-30012572		Connection terminal, 0.2...6 mm ²	
	KT-256301		Flat fuse	7.5A
	T50409		Flat fuse	2A
	T50165		Flat fuse	3A
	T50156		Flat fuse	15 A
	T50041		Flat fuse	20A
6	KT-175550		Terminal block	8-pin female
7	KT-175550		Terminal block	8-pin female
8	KT-175552		Terminal block	6-pin female
9	KT-58132346	3 pcs	Relay with fuse	5A
10	KT-58132346	2 pcs	Relay with fuse	7.5A
11	KT-58132346	1 pc	Relay with fuse	15A
12	KT-240027	1 pc	Switch relay	5-pin 24V 20/30A. Windscreen wiper
13	KT-240025	1 pc	Flasher relay	24V 3 conn 10-110W
14	KT-240027	1 pc	Switch relay	5-pin 24V 20/30A. Fuel pump
15	KT-240027	1 pc	Switch relay	5-pin 24V 20/30A. Eberspächer
16	KT-240027	1 pc	Switch relay	5-pin 24V 20/30A. Ignition, limited
17	KT-240027	1 pc	Switch relay	5-pin 24V 20/30A. Ignition, permanent
18	KT-240027	1 pc	Switch relay	5-pin 24V 20/30A. Ignition
19	KT-240027	1 pc	Switch relay	5-pin 24V 20/30A. ECU
20	KT-240027	1 pc	Switch relay	5-pin 24V 20/30A. Start
21	KT-58132346	1 pc	Relay with fuse	20A
22	KT-5201498060	1 pc	Fuse	MIDI 60A. Fuse 50-55
23	KT-5201498060	1 pc	Fuse	MIDI 60A. Ignition, limited
24	KT-5201498040	1 pc	Fuse	MIDI 40A. Ignition, permanent
25	KT-5201498030	1 pc	Fuse	MIDI 30A. Ignition
26	KT-5201498040	1 pc	Fuse	MIDI 40A. ECU
27	KT-5201498030	1 pc	Fuse	MIDI 30A. Start
28		1 pc	Fuse	F9xA. For extra fuse
29	KT-5201498040	1 pc	Fuse	MIDI 40A. ECC , fuses F11-13 and F31

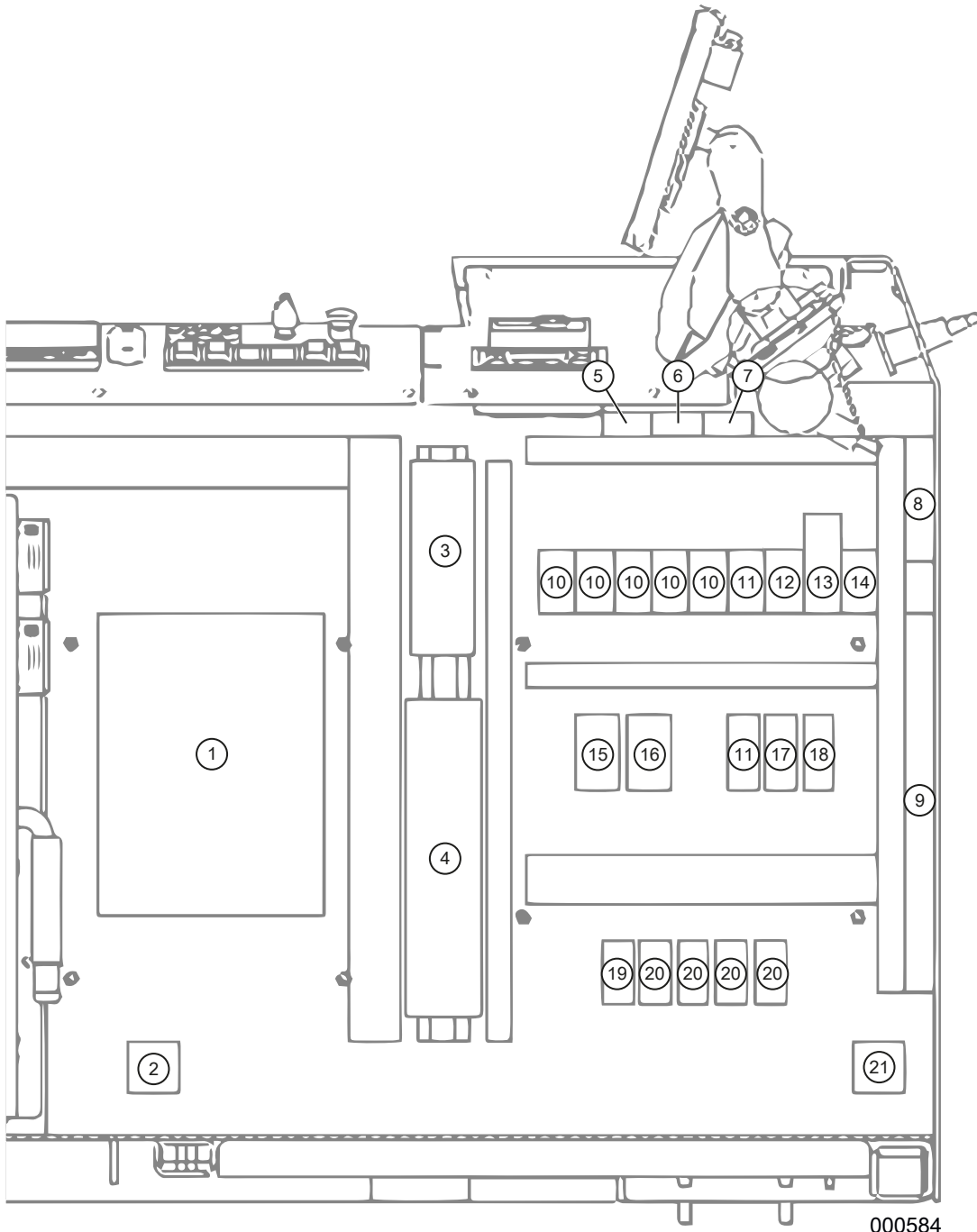
Distribution box



Distribution box

Pos	Art.	Qty.	Description	Remarks
30			Eberspächer GSM or WEBB	Option
31			LOGMAX computer	
32			Connector seat	

Distribution box

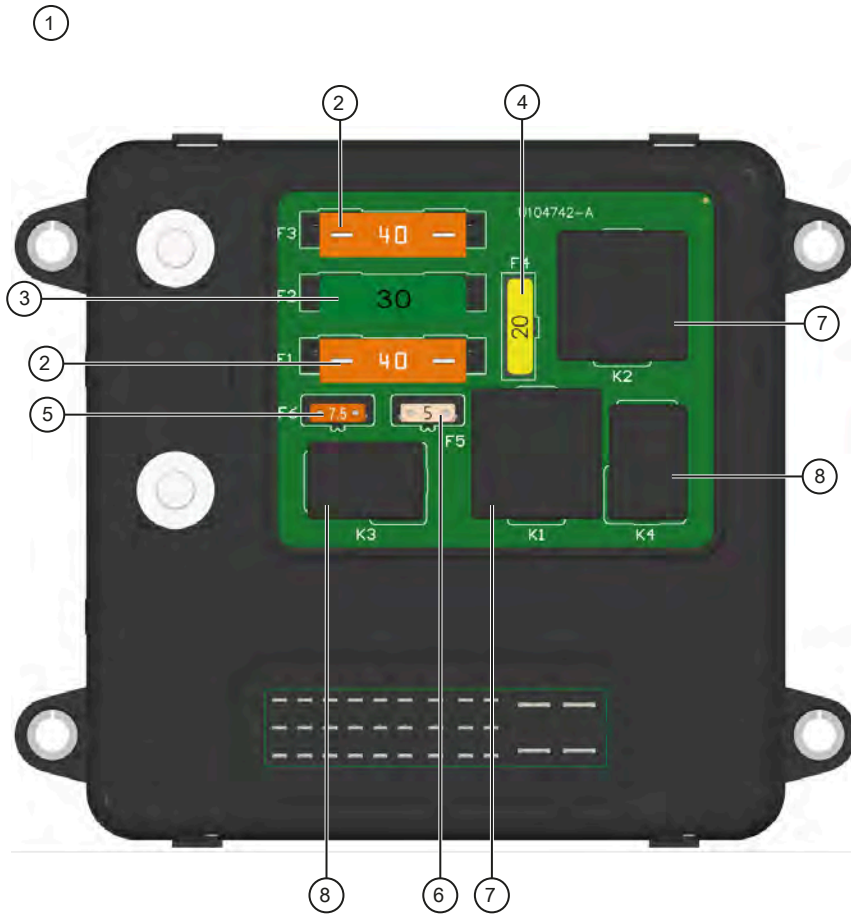


000584

Distribution box

Pos	Art.	Qty.	Description	Remarks
				From machine T23-027. Also T23-016.
1	KT-791204	1 pc	Controller Plus 1	XL104-0000
2	KT-256201	1 pc	Flat fuse	5A. Eberspächer
	KT-256401	1 pc	Flat fuse	10A. Eberspächer
3	KT-1012751		Feed-through terminal, UK 2.5 N	
4	KT-30012572		Connection terminal	0.2...6 mm ²
	T50409	1 pc	Flat fuse	2A
	T50165	3 pcs	Flat fuse	3A
	KT-256201	9 pcs	Flat fuse	5A
	KT-256301	4 pcs	Flat fuse	7.5A
	KT-256401	4 pcs	Flat fuse	10A
	T50156	2 pcs	Flat fuse	15A
	T50041	1 pc	Flat fuse	20A
	KT-256701	1 pc	Flat fuse	25A
5	KT-175550	1 pc	Terminal block	8-pin female
6	KT-175550	1 pc	Terminal block	8-pin female
7	KT-175552	1 pc	Terminal block	6-pin female
8			Eberspächer GSM or WEBB	Option
9			LOGMAX computer	
10	KT-240029	5 pcs	Relay with fuse	24V 7.5A
11	KT-240029	2 pcs	Relay with fuse	24V 20A
12	KT-240028	1 pc	Mini relay	24V 20/30A. Windscreen wiper
13	KT-240025	1 pc	Flasher relay	24V 10-110W
14	KT-240031	1 pc	Switch relay	24V 20A with diode. Eberspächer
15	KT-240026	1 pc	HD relay	24V 70A with diode. Ignition, limited
16	KT-240026	1 pc	Switch relay	24V 70A with diode. Ignition, permanent
17	KT-240029	1 pc	Relay with fuse	5A
18	KT-240031	1 pc	Switch relay	24V 20A with diode. Main circuit breaker
19	KT-5201498060	1 pc	Fuse	MIDI 60A. Fuse 50-56.
20	KT-5201498040	4 pcs	Fuse	MIDI 40A
21			Connector seat	

Engine control box

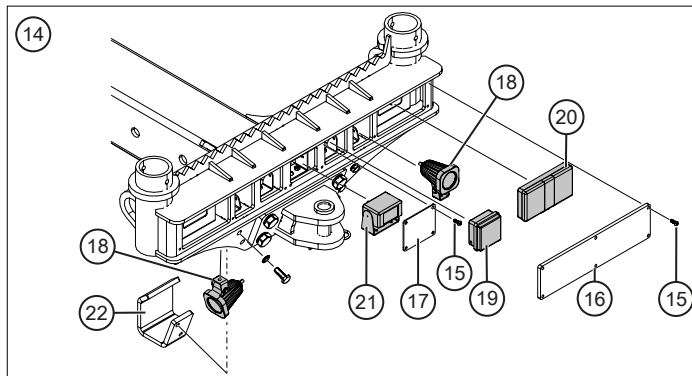
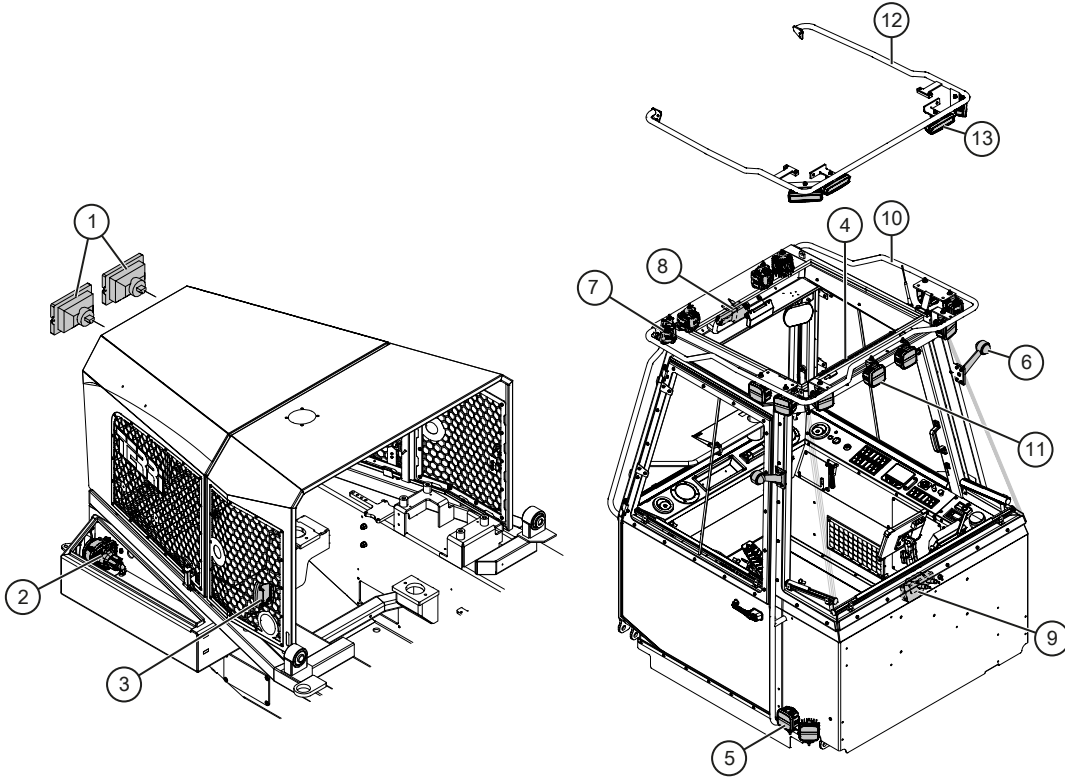


000585

Engine control box

Pos	Art.	Qty.	Description	Remarks
1	KT-703180	1 pc	Engine control box	Complete. From machine T23-027. Also T23-016.
2	KT-5201299040	2 pcs	Flat fuse	Maxi 40A
3	KT-5201299030	1 pc	Flat fuse	Maxi 30A
4	T50041	1 pc	Flat fuse	Standard 20A
5	KT-5201297005	1 pc	Flat fuse	Mini 5A
6	KT-5201297075	1 pc	Flat fuse	Mini 7.5A
7	KT-791521	2 pcs	Relay	Mini 24V
8	KT-791522	2 pcs	Relay	Micro 24V

Lighting and wiper motors



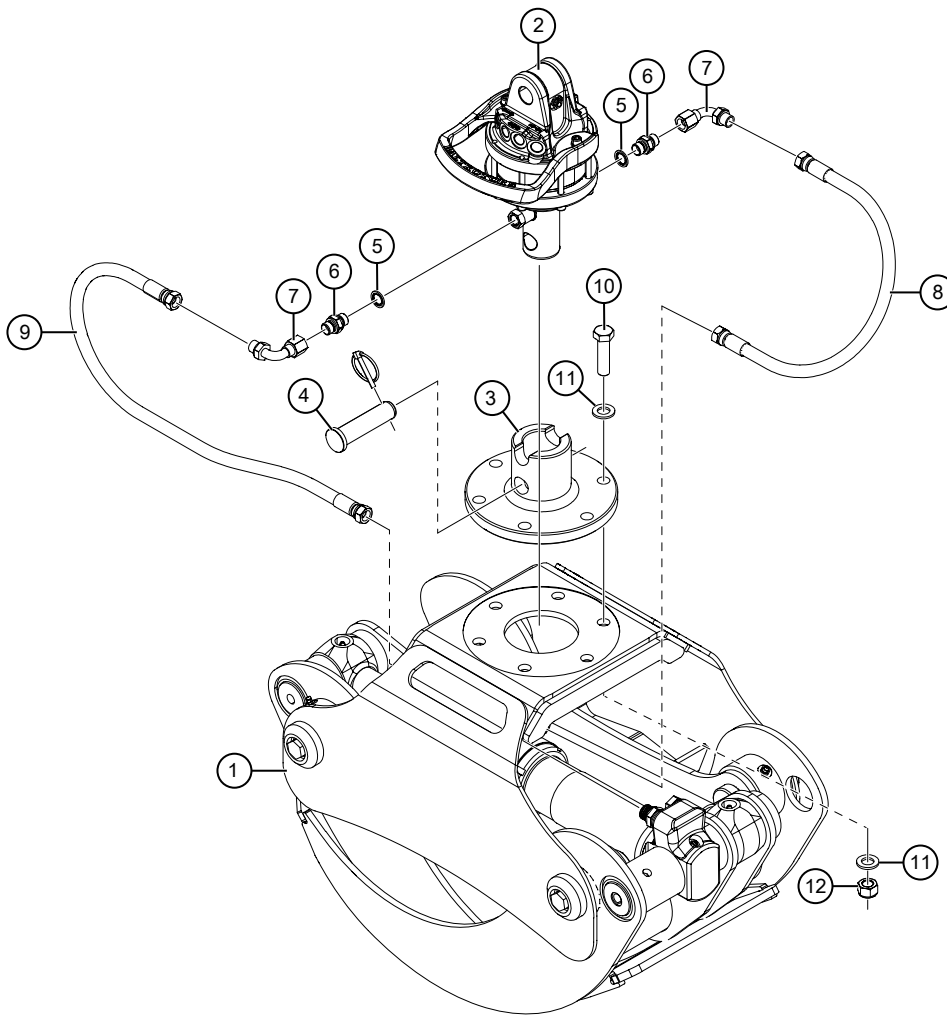
000613

Lighting and wiper motors

Pos	Art.	Qty.	Description	Remarks
1	T50535	2 pcs	Headlight	
-	KT-240010	2 pcs	Light bulb	H4 24 V
2	KT-791118	2 pcs	High/low beam headlight	12/24V
-	KT-240011	2 pcs	Light bulb	H7 24 V
3	KT-791103	2 pcs	Positioning light	LED, white with reflector
4	KT-240030	1 pc	Internal light	LED strip, Cab
5	KT-791045		Work light	LED. GO 420, standing
6	KT-790052	2 pcs	Turn signal arm	Incl. light bulb
-	KT-790749		Turn signal glass	Orange
-	KT-240015		Light bulb	24V/4W, BA 9s
7	KT-791045-1		Work light	LED. GO 420, hanging
8	KT-240001	1 pc	Wiper motor	24V. Windscreen
9	KT-240000	1 pc	Wiper motor	24V. Rear window
10	TE-702517		Roof rack	High
11	KT-791045-1		Work light	LED. GO 420, hanging. For high roof rack.
	TE-701235		Spacer	T=8 mm
12	TE-702520		Roof rack	Low
13	KT-791237		Work light	LED. HBA 30W. For low roof rack.
14	TE-720178		Rear bunk incl. lighting	Complete
15	KT-785018	20 pcs	Screw	M6S 6x16 8.8 FZB. Extra equipment, not on harvester
16	KT-702417	2 pcs	Polycarbonate sheet	346x90 mm. Extra equipment, not on harvester
17	KT-702418	1 pc	Polycarbonate sheet	98x82 mm. Extra equipment, not on harvester
18	KT-791117	4 pcs	Work lights	LED. Extra equipment, not on harvester
19	KT-239802	2 pcs	Strobe warning light	LED. Extra equipment, not on harvester
	TE-701920	2 pcs	Bracket strobe warning light	Extra equipment, not on harvester
20	KT-791121	2 pcs	Tail light	LED. Extra equipment, not on harvester
21	KT-791116	1 pc	Camera assembly	7" HD. Extra equipment, not on harvester
-	KT-791116-1	1 pc	Monitor	7" HD. Extra equipment, not on harvester
-	KT-791116-2	1 pc	Camera/Reversing camera	HD. Extra equipment, not on harvester
-	KT-791116-3	1 pc	Cable rear view camera	L=3000 mm. Extra equipment, not on harvester
-	KT-791116-4	1 pc	Cable rear view camera	L=5000 mm. Extra equipment, not on harvester
-	KT-791116-5	1 pc	Cable rear view camera	L=10000 mm. Extra equipment, not on harvester
22	TE-702412	1 pc	Guard work lights	Right. Extra equipment, not on harvester
	TE-702413	1 pc	Guard work lights	Left. Extra equipment, not on harvester

10 GRAPPLE

Grapple with 50 mm adapter

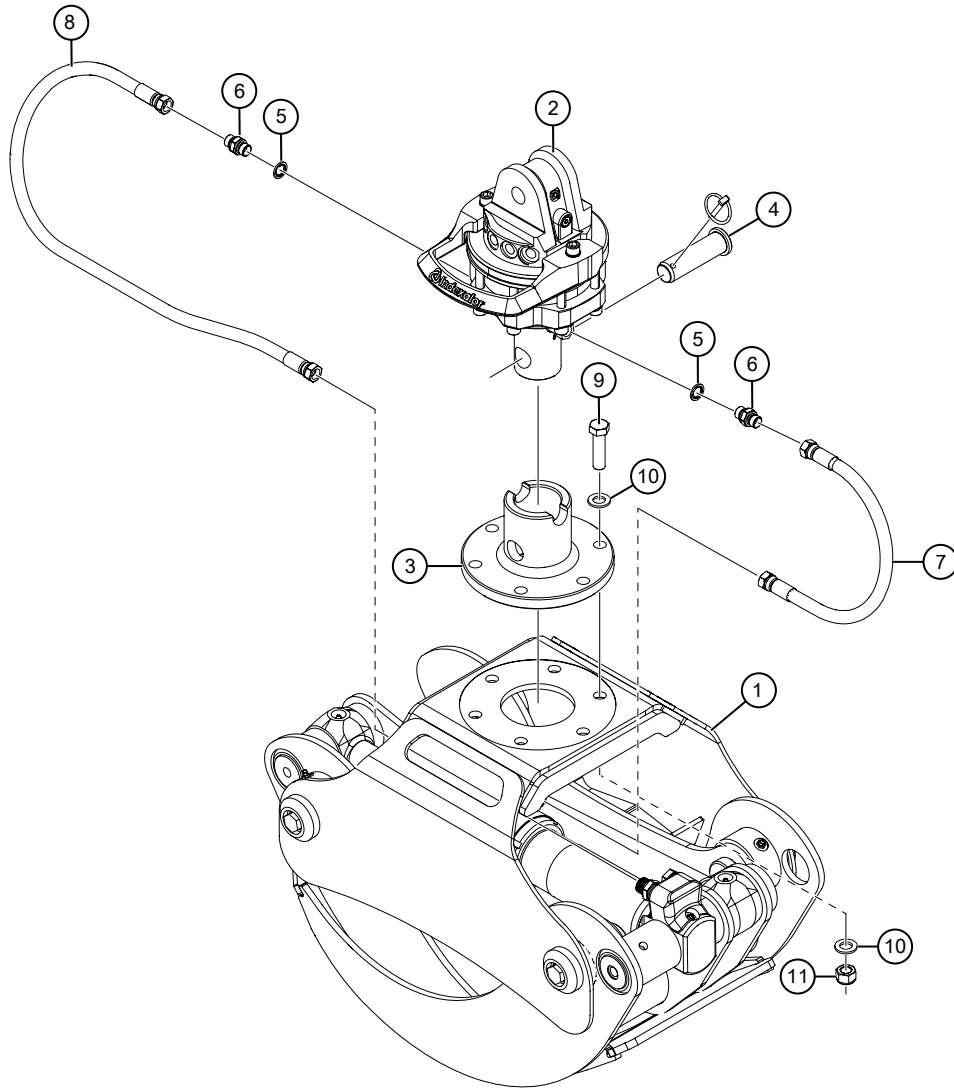


000650

Grapple with 50 mm adapter

Pos	Art.	Qty.	Description	Remarks
1	KT-790028	1 pc	Timber grapple	HSP 0.15
	KT-790029	1 pc	Bio mass grapple	HSP 0.15
	KT-791079	1 pc	Bio mass grapple	HSP 0.20 Bio
	KT-790032	1 pc	Bucket	HSP 0.15
2	KT-790515	1 pc	Rotator	GR-30
3	KT-790672	1 pc	Rotator adapter	49.5/25
4	KT-790672-1	1 pc	Axle	D=25 mm. Incl. pin
5	KT-56010106	2 pcs	Rubber steel washer	3/8"
6	KT-70020606	2 pcs	Adapter	3/8"UF-3/8"UF
7	KT-72050606	2 pcs	Angle adapter	3/8"UF-3/8"IR 90°
8	TS-121045	1 pc	Hydraulic hose	3/8" L=450 mm Straight-Straight
9	TS-121080	1 pc	Hydraulic hose	3/8" L=800 mm Straight-Straight
10	K6077-206	6 pcs	Screw	M6S 16x65 10.9 FZB
11	K6152-051	12 pcs	Flat washer	BRB M16 FZB
12	09-266966	6 pcs	Lock nut	LM6M M16 10 FZB

Grapple with 63 mm adapter

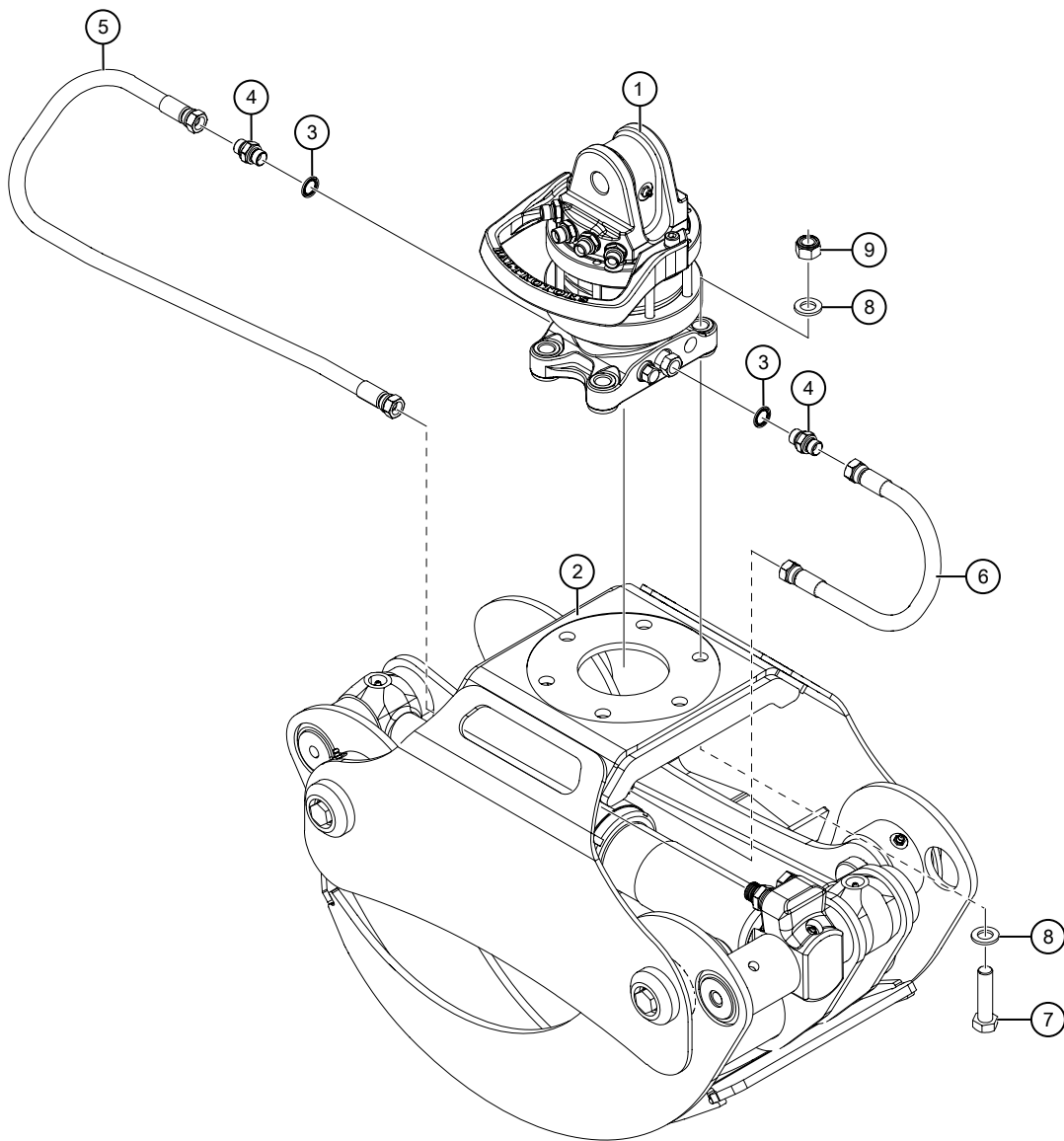


000651

Grapple with 63 mm adapter

Pos	Art.	Qty.	Description	Remarks
1	KT-790028	1 pc	Timber grapple	HSP 0.15
	KT-790029	1 pc	Bio mass grapple	HSP 0.15
	KT-791079	1 pc	Bio mass grapple	HSP 0.20 Bio
	KT-790032	1 pc	Bucket	HSP 0.15
2	KT-791330	1 pc	Rotator	GV4-63/30
3	KT-790884	1 pc	Rotator adapter	63/30
4	KT-790884-1	1 pc	Axle	D=30 mm. Incl. pin
5	KT-56010106	2 pcs	Rubber steel washer	3/8"
6	KT-70020606	2 pcs	Adapter	3/8"UF-3/8"UF
7	TS-121045	1 pc	Hydraulic hose	3/8" L=450 mm Straight-Straight
8	TS-121080	1 pc	Hydraulic hose	3/8" L=800 mm Straight-Straight
9	K6077-206	6 pcs	Screw	M6S 16x65 10.9 FZB
10	K6152-051	12 pcs	Flat washer	BRB M16 FZB
11	09-266966	6 pcs	Lock nut	LM6M M16 10 FZB

Grapple with bolted rotator

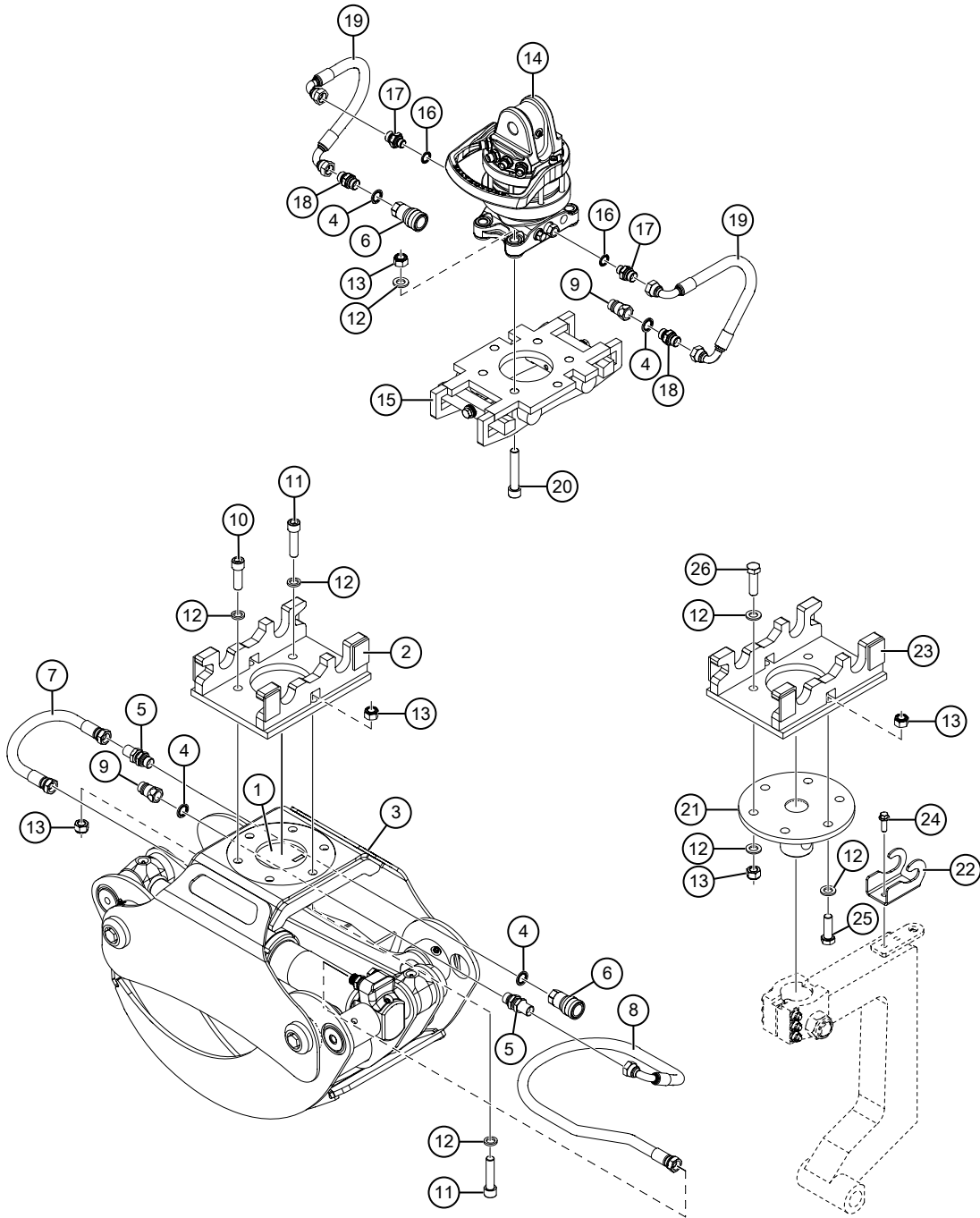


000652

Grapple with bolted rotator

Pos	Art.	Qty.	Description	Remarks
1	KT-791159	1 pc	Rotator with flange-type lower connection	GR463
2	KT-790028	1 pc	Timber grapple	HSP 0.15
	KT-790029	1 pc	Bio mass grapple	HSP 0.15
	KT-791079	1 pc	Bio mass grapple	HSP 0.20 Bio
	KT-790032	1 pc	Bucket	HSP 0.15
3	KT-56010106	2 pcs	Rubber steel washer	3/8"
4	KT-70020606	2 pcs	Adapter	3/8"UF-3/8"UF
5	TS-121080	1 pc	Hydraulic hose	3/8" L=800 mm Straight-Straight
6	TS-121045	1 pc	Hydraulic hose	3/8" L=450 mm Straight-Straight
7	K6077-206	4 pcs	Screw	M6S 16x65 10.9 FZB
8	K6152-051	8 pcs	Flat washer	BRB M16 FZB
9	09-266966	4 pcs	Lock nut	LM6M M16 10 FZB

Quick-release connector



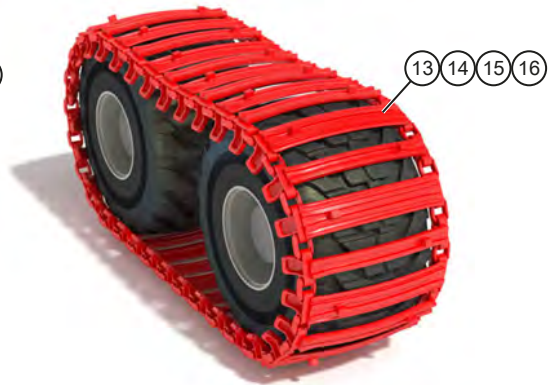
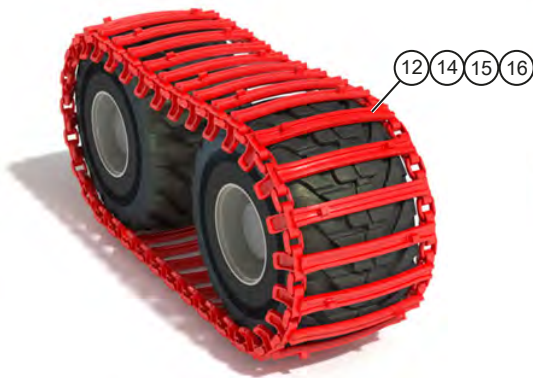
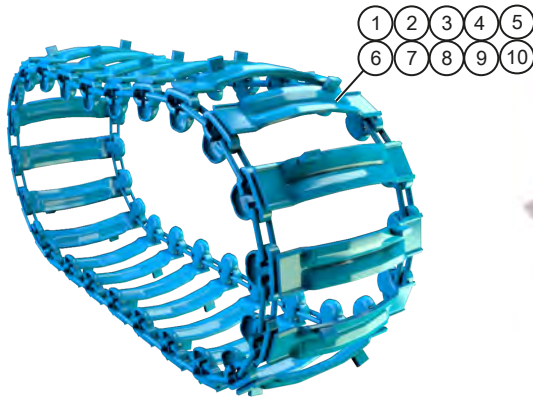
000653

Quick-release connector

Pos	Art.	Qty.	Description	Remarks
1	TE-702825	1 pc	Bracket for hose couplings	
2	KT-791228	1 pc	Quick-release connector	Lower section
3	KT-790028	1 pc	Timber grapple	HSP 0.15
	KT-790029	1 pc	Bio mass grapple	HSP 0.15
	KT-791079	1 pc	Bio mass grapple	HSP 0.20 Bio
	KT-790032	1 pc	Bucket	HSP 0.15
4	KT-56010108	4 pcs	Rubber steel washer	1/2"
5	KT-70900808	2 pcs	Bulkhead connector	1/2"UF-1/2"UF
6	KT-55500308	2 pcs	Quick-release coupling	1/2" female
7	TS-131040	1 pc	Hydraulic hose	1/2" L=400 mm Straight-Straight
8	TS-132100	1 pc	Hydraulic hose	1/2" L=1000 mm Straight-90°
9	KT-55500208	2 pcs	Quick-release coupling	1/2" Male
10	KT-268060	2 pcs	Hex screw	MC6S 16x50 10.9 FZB
11	KT-268061	4 pcs	Hex screw	MC6S 16x70 10.9 FZB
12	K6152-051	24 pcs	Flat washer	BRB M16 10 FZB
13	09-266966	16 pcs	Lock nut	LM6M M16 10 FZB
14	KT-791159	1 pc	Rotator with flange-type lower connection	GR463
15	KT-791158-1	1 pc	Quick-release connector	Upper section
16	KT-56010106	2 pcs	Rubber steel washer	3/8"
17	KT-70020608	2 pcs	Adapter	3/8"UF-1/2"UF
18	KT-70020808	2 pcs	Adapter	1/2"UF-1/2"UF
19	TS-137025	2 pcs	Hydraulic hose	1/2" L=250 mm 90°-90°
20	KT-268059	4 pcs	Hex screw	MC6S 16x90 10.9 FZB
21	TE-702828	1 pc	Quick-mount	Middle section
22	TE-702893	1 pc	Mount, quick-release connectors	1/2" harvester head
23	KT-791158-2	1 pc	Quick-release connector	Lower section
24	09-267716	2 pcs	Flange screw	M6SF 10x30 8.8 FZB
25	KT-268062	2 pcs	Screw	M6S 16x50 10.9 FZB
26	KT100180	4 pcs	Screw	M6SH 16x55 10.9 FZB

11 OTHER OR ADDITIONAL EQUIPMENT

Drive belt and chains

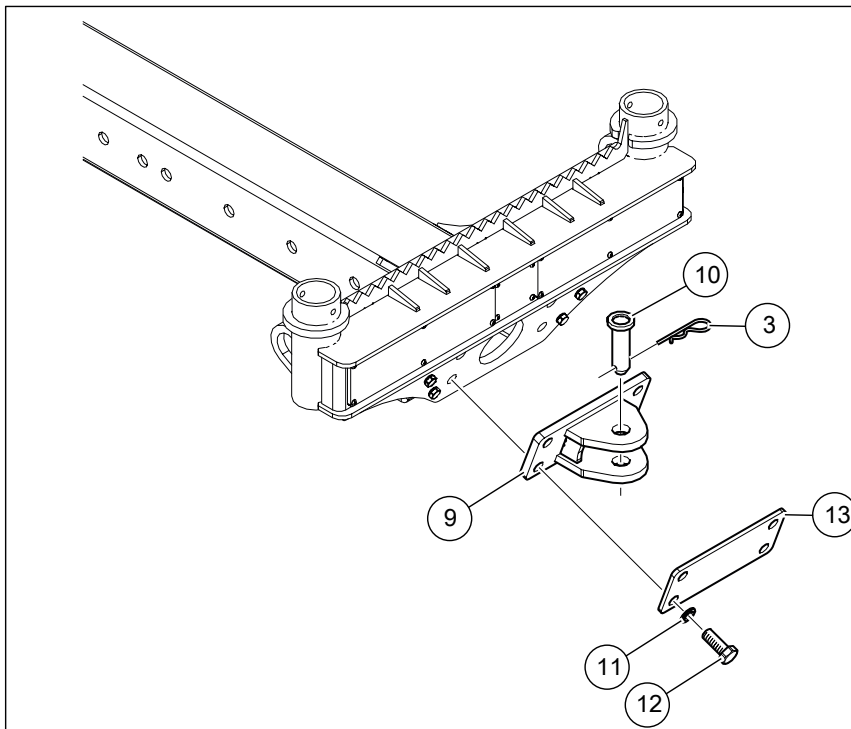
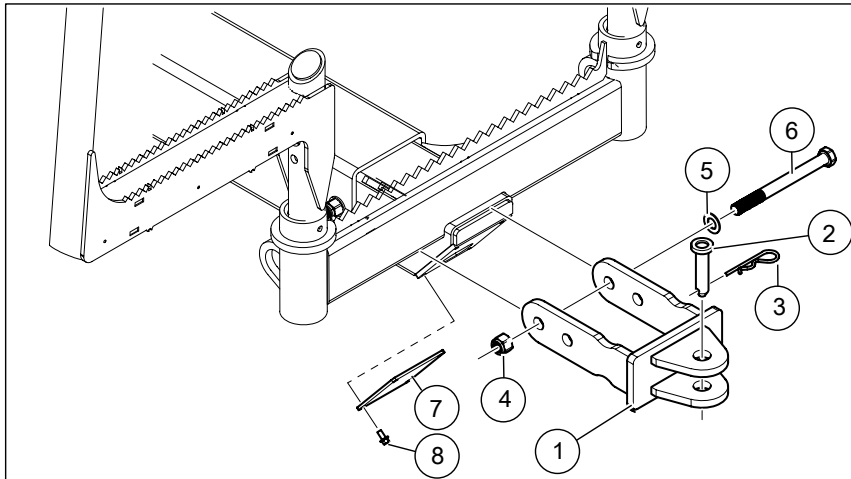


000593

Drive belt and chains

Pos	Art.	Qty.	Description	Remarks
1	KT-790979		Bogie track PRO-Lite	Olofsfors. Without studs
2	KT-790979-10		Bogie track PRO-Lite	Olofsfors. Double-studded
3	KT-790979-20		Bogie track PRO-Lite	Olofsfors. Standard studs
4	KT-790979-30		Bogie track PRO-Lite	Olofsfors. Road studs
5	KT-790979-5		Track lock	Olofsfors. \varnothing 15 part.75/25 mm
6	KT-790979-1		Track lock	Olofsfors. \varnothing 15 part.90/25 mm
7	KT-790979-6		Track lock	Olofsfors. \varnothing 15 part.100/25 mm
8	KT-790979-2		Track lock	Olofsfors. \varnothing 15 part.125/25 mm
9	KT-790979-3		Studs	Olofsfors. 30x15x40 mm
10	KT-790979-3		Track tensioner	Olofsfors
11	KT-791445		Bogie track TXL	Clark
12	KT-791497		Bogie track TL 85	Clark
13	KT-791499		Bogie track TXCL	Clark
14	KT-791447		Track tensioner	Clark
15	KT-791474		Track lock	Clark - Short (24x95 mm)
16	KT-791475		Track lock	Clark - Long (24x160 mm)

Towing hook

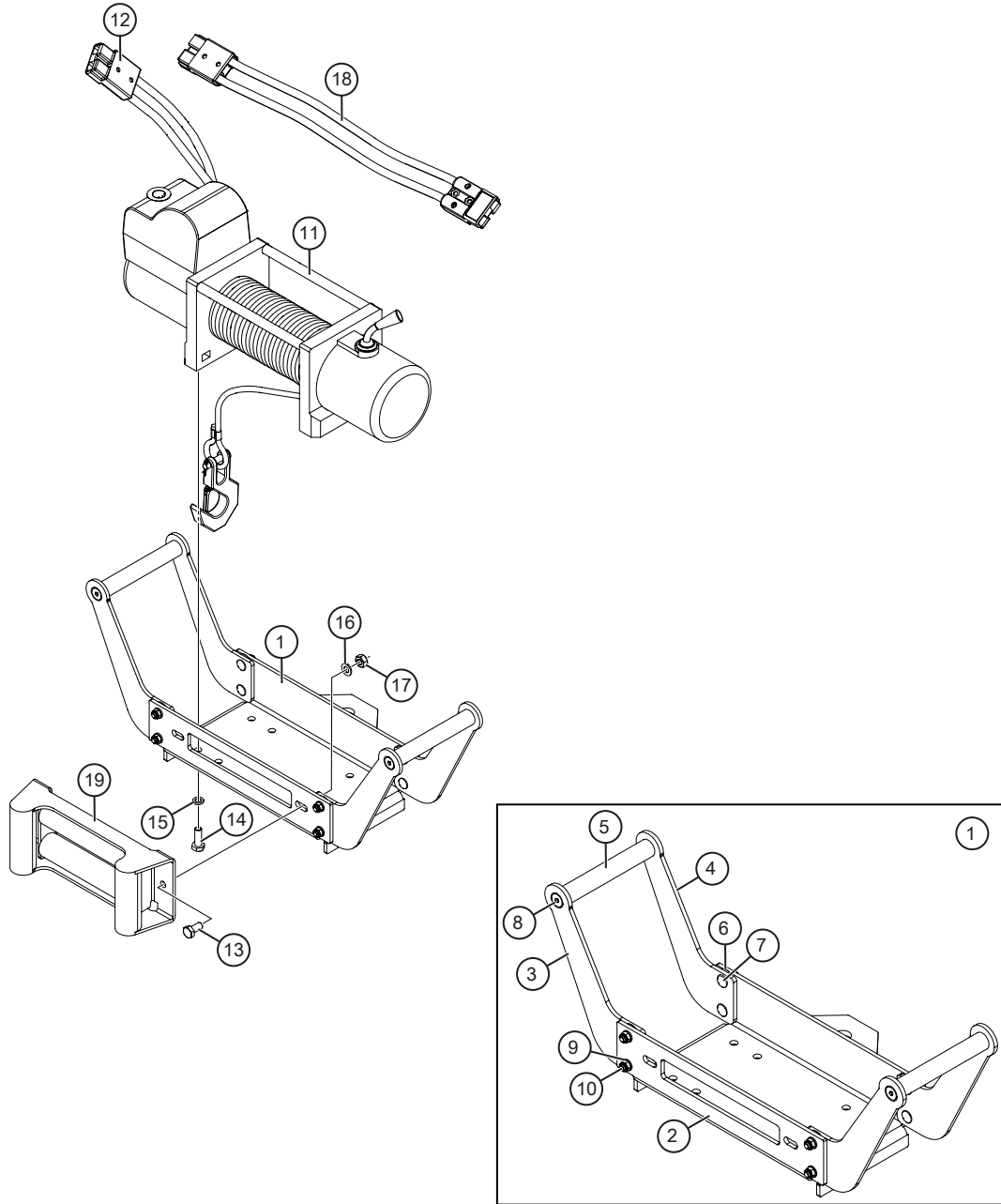


000642

Towing hook

Pos	Art.	Qty.	Description	Remarks
1	TE-701895	1 pc	Rear drawbar	
2	TE-700409	1 pc	Pin for drawbar	
3	KT-2326	1 pc	Cotter pin	5 mm
4	K6135-12	2 pcs	Lock nut	Nyloc M20
5	K6152-07	2 pcs	Washer	BRB M20 FZB
6	K6077-30	2 pcs	Screw	M6S 20X220 8.8 FZB ISO 4014
7	TE-702125	1 pc	Cover plate	Machine without towing hook
8	09-266793	4 pcs	Flange screw	M6SF 8x16 8.8 FZB
9	TE-702408	1 pc	Drawbar	
10	TE-702388	1 pc	Pin	D=30 mm
11	K6163-0020	4 pcs	Locking washer	Nordlock M20
12	KT-890065	4 pcs	Screw	M6S 20X50 8.8 FZB ISO 4017
13	TE-702421	1 pc	Cover plate	Machine without towing hook

Electric front winch

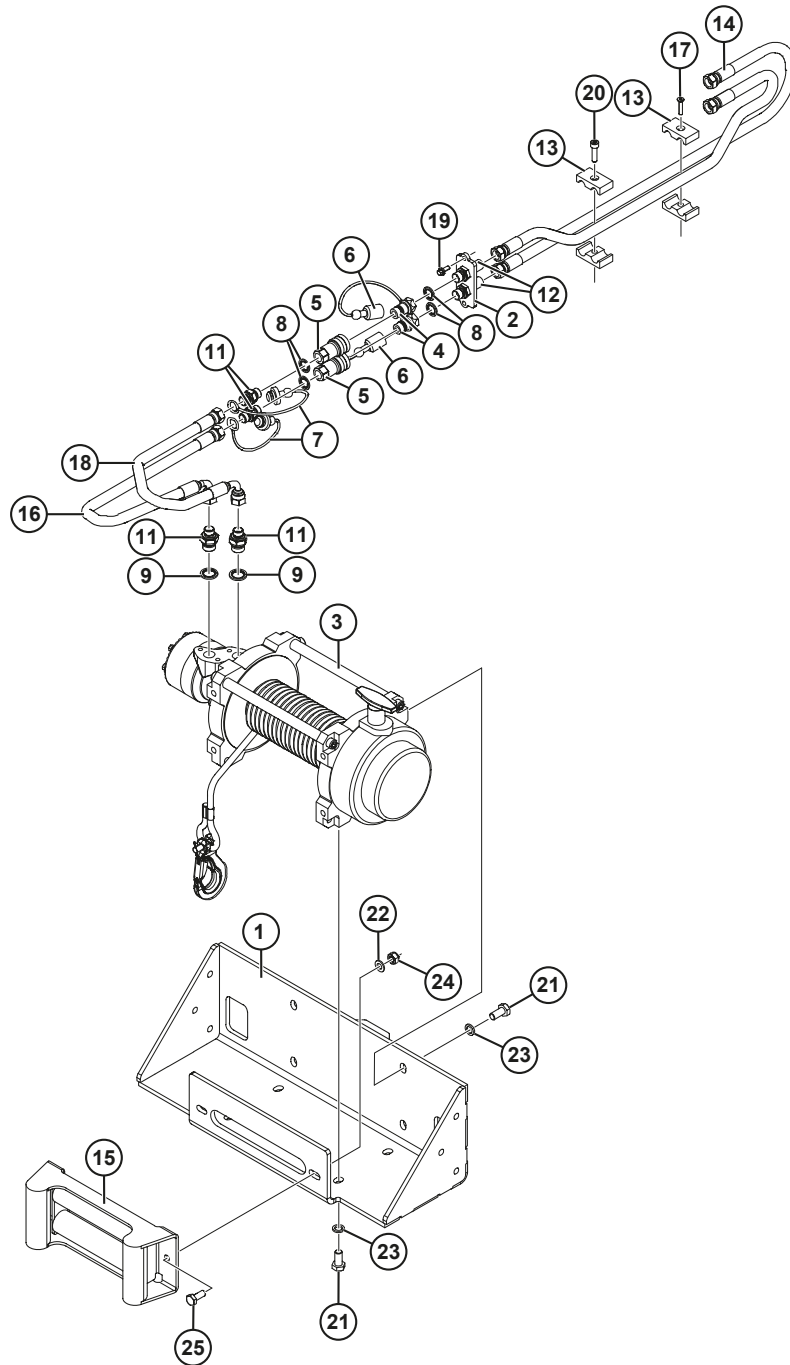


000643

Electric front winch

Pos	Art.	Qty.	Description	Remarks
1	TE-710056	1 pc	Winch bracket	Complete
2	TE-702618	1 pc	Winch bracket	Included in TE-710056
3	TE-702621	2 pcs	Side handle	Included in TE-710056. Right
4	TE-702622	2 pcs	Side handle	Included in TE-710056. Left
5	TE-702623	2 pcs	Handle	Included in TE-710056
6	09-266587	8 pcs	Washer	Included in TE-710056. 8.2x30x1
7	K6085-09	8 pcs	Trailer bolt	Included in TE-710056. MVBF M8x25 FZB
8	K6058-40	4 pcs	Screw	Included in TE-710056. MF6S 10x20 10.9 FZB
9	K6151	8 pcs	Flat washer	Included in TE-710056. BRB M8 FZB
10	K6134	8 pcs	Lock nut	Included in TE-710056. LM6M 8 Nyloc
11	KT-240003	1 pc	Electric winch	Complete. LV-P8000 24V. See sub-supplier documentation for detailed information.
12	KT-TBSK4WD	1 pc	Insulator glove	S 175 red 24V
13	K6077-011	1 pc	Screw	M6SH 10x22 8.8 FZB
14	K6077-02	2 pcs	Screw	M6S 10x30 8.8 FZB
15	K6163-003	4 pcs	Locking washer	Nordlock M10
16	K6152	4 pcs	Flat washer	BRB M10 FZB
17	K6131	2 pcs	Nut	M6M 10 8 FZB
18	KT-703609	6 pcs	Adapter, electric winch	
19		1 pc	Cable guide	Included in Electric Winch KT- 240003

Hydraulic front winch

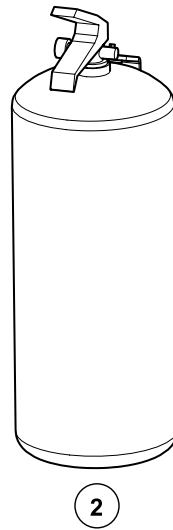
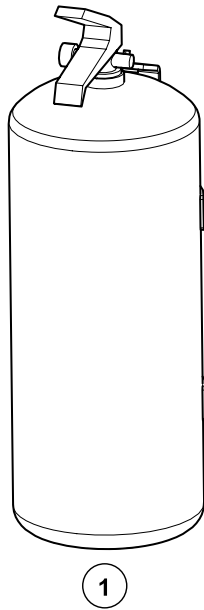


000644

Hydraulic front winch

Pos	Art.	Qty.	Description	Remarks
1	TE-701808	1 pc	Winch bracket	
2	TE-703595	1 pc	Mounting plate, hose connector	
3	KT-240021	1 pc	Hydraulic winch	Complete. HV10000 24 V See sub-supplier documentation for detailed information.
4	KT-55500206	2 pcs	Quick-release coupling	3/8" male
5	KT-55500306	2 pcs	Quick-release coupling	3/8" Female
6	KT-55510406	2 pcs	Dust guard	3/8" Male
7	KT-55500506	2 pcs	Dust guard	3/8" Female
8	KT-56010106	4 pcs	Rubber steel washer	3/8"
9	KT-56010108	2 pcs	Rubber steel washer	1/2"
10	KT-70020606	2 pcs	Adapter	3/8"UF-3/8"UF
11	KT-70020608	2 pcs	Adapter	3/8"UF-1/2"UF
12	KT-70900606	2 pcs	Bulkhead connector	3/8"UF-3/8"UF
13	KT-53904216	4 pcs	Double clamp	
14	TS-121380	2 pcs	Hydraulic hose	3/8" L=3800 mm Straight-Straight
15		1 pc	Cable guide	Incl. in hydraulic winch KT-240021
16	TS-122035	1 pc	Hydraulic hose	3/8" L=350 mm Straight-90°
17	K6085-0015	1 pc	Screw	MF6S 6x30 10.9 FZB
18	TS-122040	1 pc	Hydraulic hose	3/8" L=400 mm Straight-90°
19	09-267257	2 pcs	Flange screw	M6SF 6x16 8x8 FZB
20	K6065-45	1 pc	Hex screw	MC6S 8x30 8.8 FZB
21	K6077-113	8 pcs	Screw	M6S 12x25 8.8 FZB
22	K6152	2 pcs	Flat washer	BRB M10 FZB
23	K6163-000	8 pcs	Locking washer	Nordlock M12
24	K6135	2 pcs	Lock nut	LM6M 10 8 FZB
25	09-267743	2 pcs	Screw	M6SH 10x25 8.8 FZB

Fire extinguisher

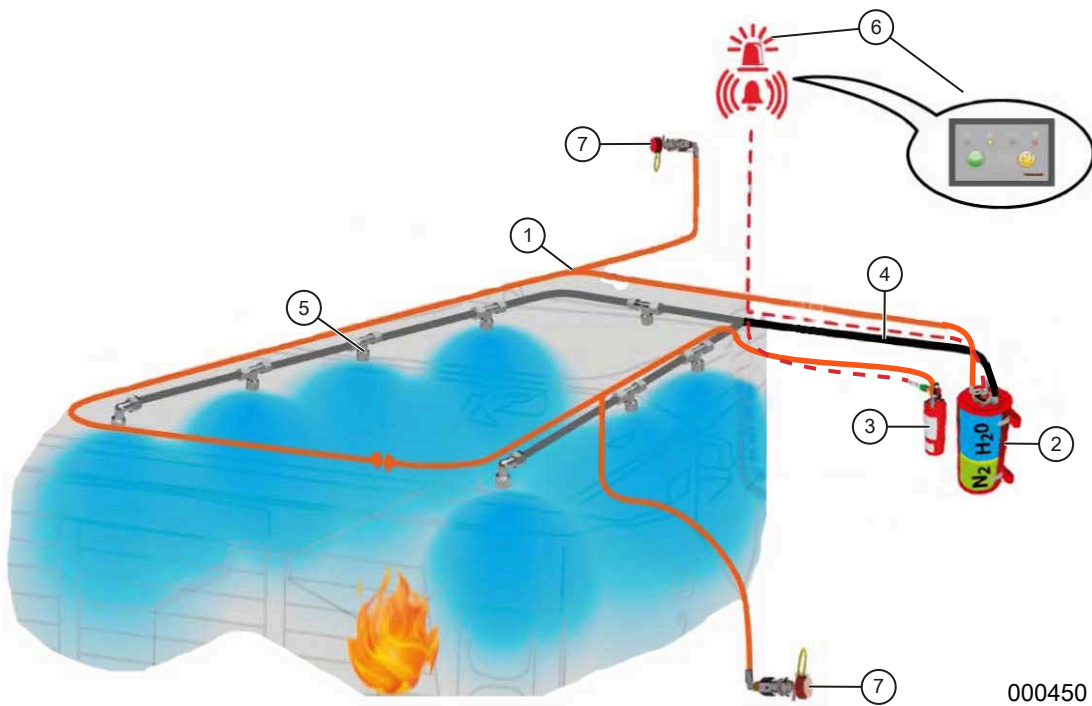


000112

Fire extinguisher

Pos	Art.	Qty.	Description	Remarks
1	KT-791177		Fire extinguisher	Foam, 9 kg
	KT-791178		Vehicle bracket	Fire extinguisher 9 kg
2	KT-790050-2		Fire extinguisher	Powder, 6 kg
	KT-790050-1		Vehicle bracket	Fire extinguisher 6 kg

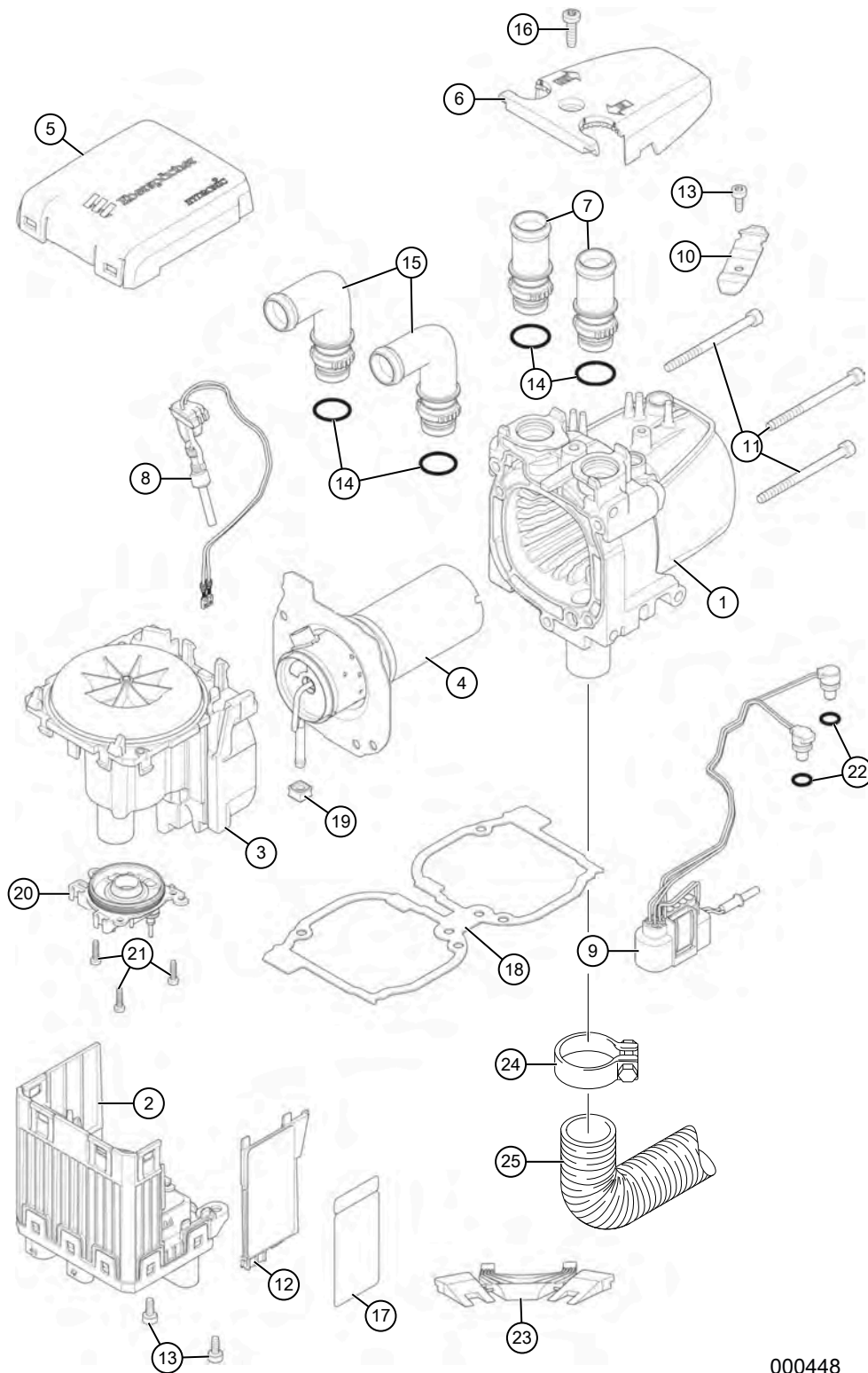
Fire extinguishing system



Fire extinguishing system

Pos	Art.	Qty.	Description	Remarks
			Fire suppression system Fogmaker	If you have problems or need spare parts, contact a Fogmaker authorised service dealer.
1		LM	Fogmaker hydropneum. detection hose	
2		1 pc	Extinguishing agent tank	
3		1 pc	Activator cartridge	
4			Extinguishing agent hoses	
5			Nozzles	
			Cutting rings	
			Nuts	
6		1 pc	Central unit	
7		2 pcs	Manual actuation valve	

Engine heater Eberspächer Hydronic S3 24V

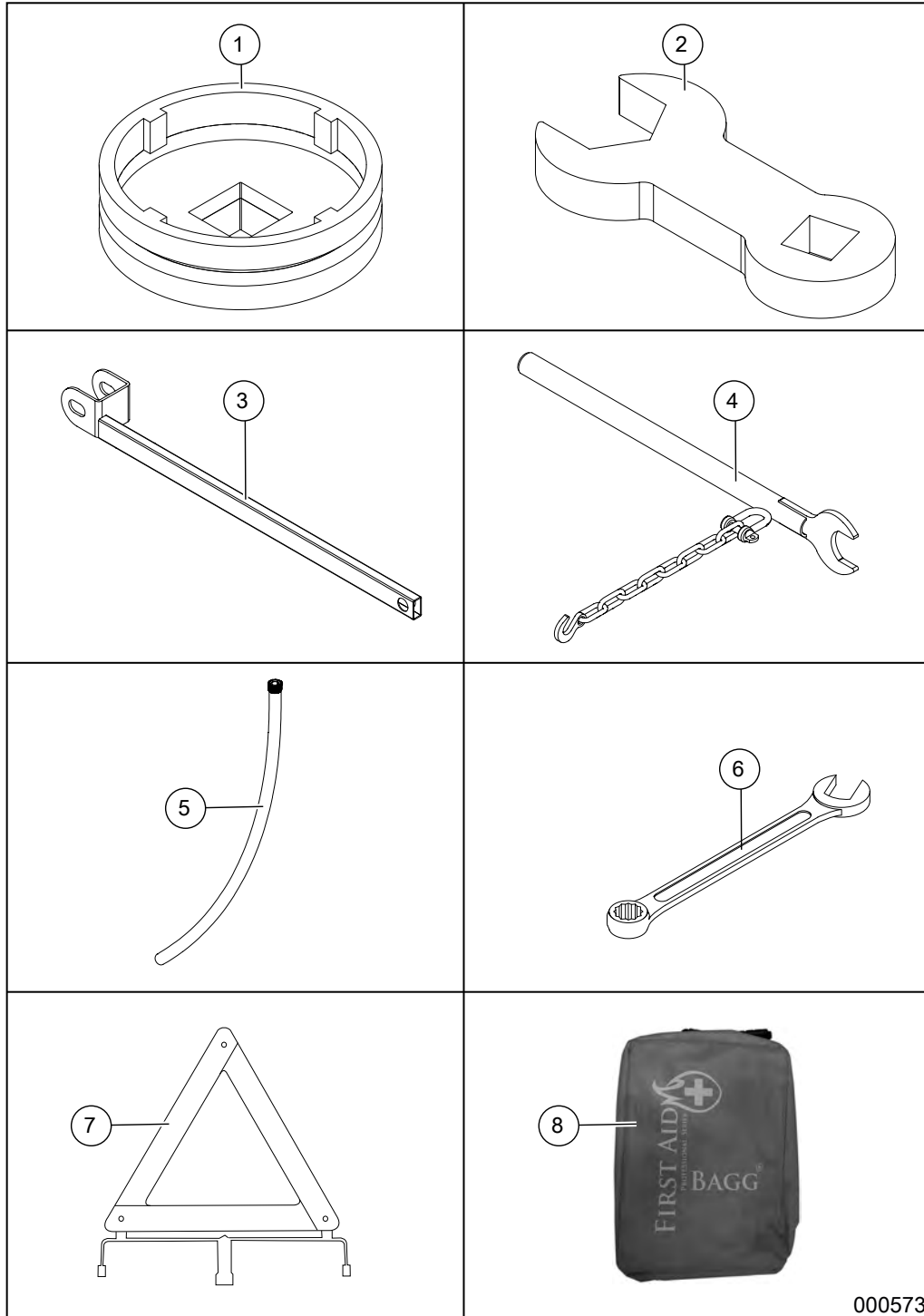


000448

Engine heater Eberspächer Hydronic S3 24V

Pos	Art.	Qty.	Description	Remarks
				The following parts are not stocked by Terri, but can be ordered separately if necessary.
	KT-240004		Engine Heater Diesel Kit 24V	For fuel pump, see Engine and Fuel System chapter
1		1 pc	Cover with heat exchanger	
2		1 pc	Control unit	Kit. Incl. item 2, 13, 17, 20 and 21
3		1 pc	Fan	
4		1 pc	Combustion chamber	Kit. Incl. 4, 18 and 19
5		1 pc	Fan cover	
6		1 pc	Cover, sensor	Kit. Incl. 6 and 16
7		1 pc	Water nozzles, straight	Kit. Incl. 7 and 14
8		1 pc	Glow plug	Kit. Incl. 8, 13, 20 and 21
9		1 pc	Cable harness for heater	Kit. Incl. 9, 13, 20 and 21
10		1 pc	Compression spring	Kit. Incl. 10 and 13
11		1 pc	Screw	Kit. M5 × 65 self-tapping, DIN 7500-EE
12		1 pc	Cover electric motor	
13		2 pcs	Screw	M4 × 10 self-tapping, DIN 7500-EE
14		2 pcs	O-ring	Ø 16x2
15		1 pc	Water nozzles, angled	Kit. Incl. 14 and 15
16		1 pc	Screw	M5 × 18 self-tapping, DIN 7500-CE
17		1 pc	Factory plate replacement	
18		1 pc	Gasket set	Incl. 18 and 19
19		1 pc	Bushing for fuel pipe	
20		1 pc	Cover, electric motor	
21		3 pcs	Screw	M3 × 12 self-tapping, DIN 7500
22		2 pcs	O-ring	Ø 7.5x2
23		1 pc	Control unit removal kit	
24		1 pc	Clamp	
25		1 pc	Exhaust hose	Ø 24 mm, L = 900 mm

Tools and miscellaneous



000573

Tools and miscellaneous

Pos	Art.	Qty.	Description	Remarks
1	TE-701543	1 pc	Wrench for castellated nut	
2	TE-703071	1 pc	Extension for torque wrench	
3	TE-700318	1 pc	Cab bar	
4	TE-702800	1 pc	Tool for tightening of quick-release connectors	
5	KT-59960126	1 pc	Drain hose	
6	KT-790897	1 pc	Combination wrench	24 mm
7	KT-252301	1 pc	Triangular warning sign	
8	KT-791138	1 pc	First aid kit	

Signs and decals



000106

Signs and decals

Pos	Art.	Qty.	Description	Remarks
1			Safety/Warning/Mandatory decal kit	
-	KT-790624		Warning decal	
-	KT-790626		Decal Fire extinguishing	
-	KT-253902		Decal Fire extinguisher	
-	KT-790542		Decal MOWI	
-	KT-790541		Decal, Risk Zone 20 m	
-	KT-790543		Decal, Do not walk under suspended loads	
2			Decal kit int. In cab	
-	KT-790623		Instrument decal	
-				
3	KT-791155		Decals Terri 3FW	
	KT-791155-1		Decals Terri 3CW	
	KT-791155-2		Decals Terri 3HW	
	KT-791155-AWS		Decal AWS, window	
	KT-791155-HUV		Decals HOOD	
	KT-791268		Decals Terri 3FT	
	KT-791268-1		Decals Terri 3CT	
	KT-791268-2		Decals Terri 3HT	
	KT-791137		Decals "loose" platform sides	
	KT-791108		Decals Platform, TERRI and "stamp"	
-	KT-890165		Decal "Terri, For All Terrain"	
-	KT-791056		Decal "Made in Småland"	

Colour

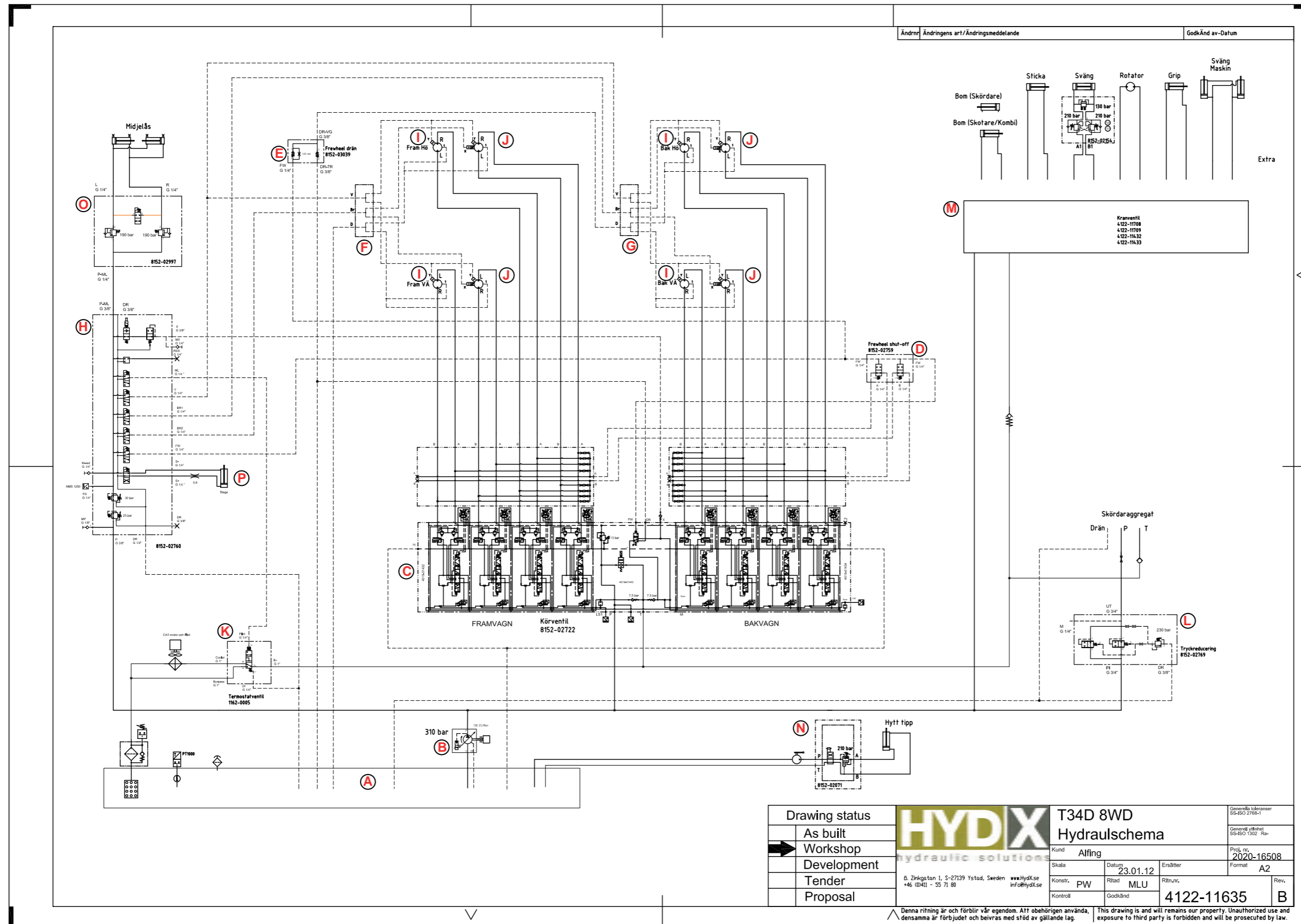


Colour

Pos	Art.	Qty.	Description	Remarks
1			Red RAL 3002	
2			Grey RAL 7040	
3			Black RAL 9005	

12 HYDRAULIC DIAGRAM

Rev B



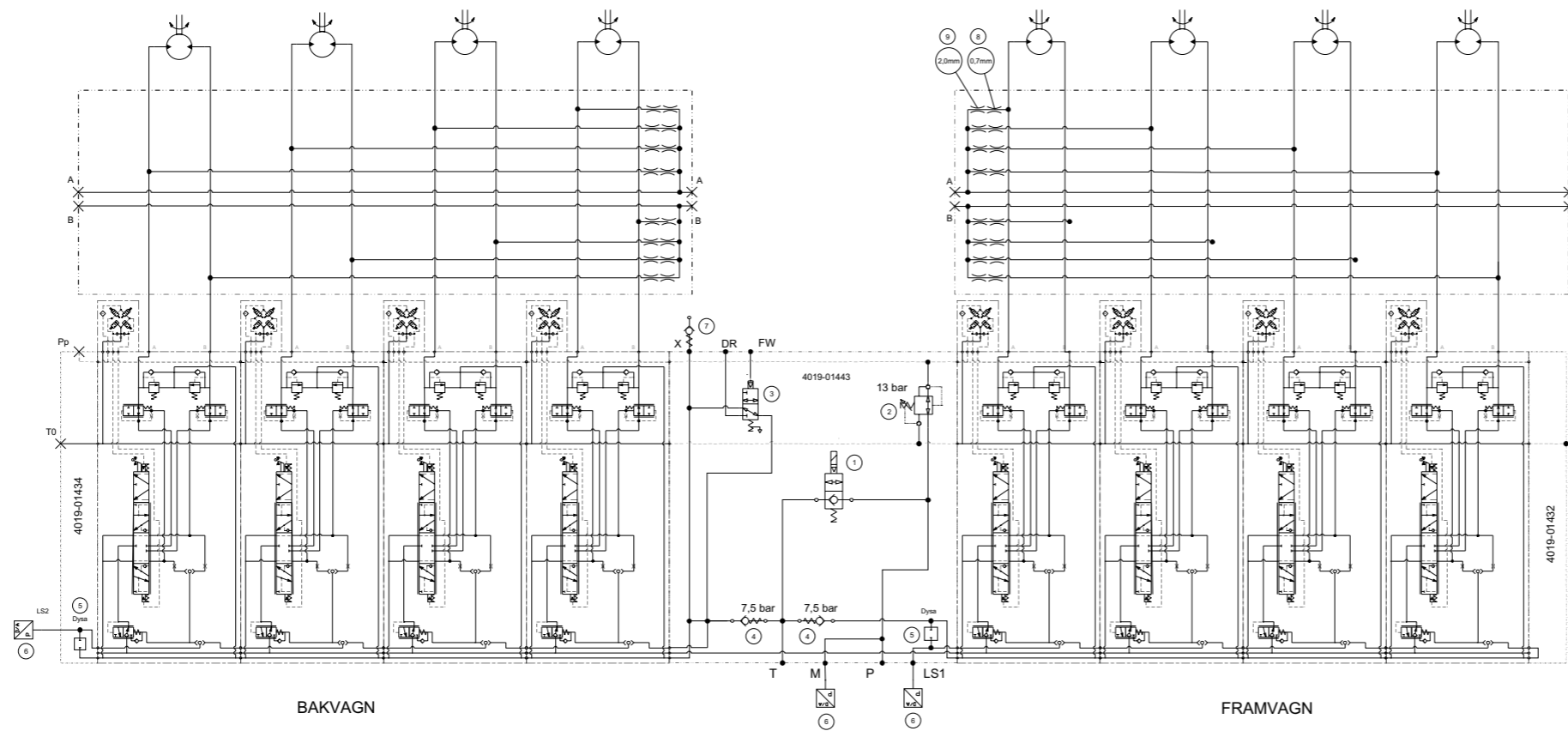
Drawing status			T34D 8WD		Generella toleranser: SS-ISO 2768-1	
As built			Hydraulschema		Generella ytbehandlingar: SS-ISO 1502, Ra-	
Workshop	Development		Kund: Alfing	Datum: 23.01.12	Ersätter: 2020-16508	Proj. nr. 2020-16508
Tender	Proposal		Skala	Proj. nr.	Format	A2
			0. Zinkgatan 1, S-27139 Ystad, Sweden +46 (0)411 - 55 71 80 www.HydK.se info@HydK.se	Konstr.: PW	Ritad: MLU	Ritnr.: 4122-11635
		Kontroll: Godkänd	Godkänd av-Datum			

△ Denna ritning är och förblir vår egendom. All obehörigen användning, dessamma är förbjudet och beivras med stöd av gällande lag. This drawing is and will remain our property. Unauthorized use and exposure to third party is forbidden and will be prosecuted by law.

Rev B

Pos	Art.	Qty.	Description	Remarks
A	TE-702154	1 pc	Hydraulic tank	Up to machine T23-019.
	TE-702987	1 pc	Hydraulic tank	From machine T23-020.
B	KT-791320	1 pc	Pump drive	130cc 24V. Up to machine T21-006.
	KT-791320	1 pc	Pump drive	115cc 24V. From machine T22-001.
C	KT-791219	1 pc	Drive valve	8WD. Up to machine T23-026. Not T23-016.
	KT-791433	1 pc	Drive valve	8WD CAN controlled. From machine T23-027. Also T23-016.
D	KT-791210	1 pc	Block valve drain	
E	KT-791227	1 pc	Valve block drainage trailer	
F	KT-790600	1 pc	Valve block	Front bogie
G	KT-790600	1 pc	Valve block	Rear bogie
H	KT-791214	1 pc	Pilot block	Complete
I	KT-791225	4 pcs	In-wheel motor without parking brake	1248cc Poclain
J	KT-791226	4 pcs	In-wheel Motor With Parking Brake	1248cc Poclain
K	KT-791338	1 pc	Thermostat block	Ver 2. Up to machine T23-006. Not T21-001, T22-001, T22-006 and T22-007.
	KT-791378	1 pc	Thermostat block	Ver 3. From machine T23-007. Also T21-001, T22-001, T22-006 and T22-007.
L	KT-791202	1 pc	Pressure limiting valve	Applies to Combi and Harvester.
M		1 pc	Crane valve	See <i>Crane valve with connections</i> , page 97.
N	KT-790603	1 pc	Cab block	Up/down
O	KT-791217	1 pc	Articulation lock block	
P	TE-710040	1 pc	Ladder	Up to machine T23-028.
	TM-710157	1 pc	Ladder	From machine T23-029.

Drive valve 8WD



HYDX artikelnummer: 8152-0272
T34D - Körventil 8WD

Pos	Qty	Part No.	Description	Model Code																																			
<table border="1"> <tr> <td>Drawing status</td> <td colspan="3">HYDX Hydraulic Circuit Diagram</td> <td>Model Code</td> </tr> <tr> <td>As built</td> <td colspan="3"></td> <td>TERRI T34D</td> </tr> <tr> <td>Workshop</td> <td colspan="3"></td> <td>2020-16508</td> </tr> <tr> <td>Development</td> <td colspan="3"></td> <td>Customer</td> </tr> <tr> <td>Tender</td> <td colspan="3"></td> <td>Alfing/Terri</td> </tr> <tr> <td>Proposal</td> <td colspan="3"></td> <td>Date: 2021.06.22</td> </tr> <tr> <td colspan="4"></td> <td>Drawing No: 4122-11633</td> </tr> </table>					Drawing status	HYDX Hydraulic Circuit Diagram			Model Code	As built				TERRI T34D	Workshop				2020-16508	Development				Customer	Tender				Alfing/Terri	Proposal				Date: 2021.06.22					Drawing No: 4122-11633
Drawing status	HYDX Hydraulic Circuit Diagram			Model Code																																			
As built				TERRI T34D																																			
Workshop				2020-16508																																			
Development				Customer																																			
Tender				Alfing/Terri																																			
Proposal				Date: 2021.06.22																																			
				Drawing No: 4122-11633																																			
Viscosity at 40°C: xxx cSt Normal Temperature Range: LL-HHP Voltage Electric Motors: xxx/yyy VAC zz Hz Control Voltage: xxx DC/AC Designed For Mineral Oil																																							
O. Zirkuläran 1, S-271 39 Ystad, Sweden +46 (0)411 - 55 71 80 www.HyDX.se info@HyDX.se																																							
Design: PW Sheet: MLU Size: A1																																							

INDEX

09-265139.....	136	K-6152.....	20
09-265439.....	138	K6030-5.....	92
09-265505.....	92	K6058-40.....	148, 158, 172, 224
09-265543.....	148, 168, 172	K6062-02.....	136
09-265604.....	12, 14, 42	K6062-1.....	136, 138
09-265605.....	12, 14, 74, 76, 150, 152, 154, 168	K6062-11.....	154
09-265702.....	94, 96, 118, 120, 124, 126, 172	K6062-3.....	194, 196
09-265731.....	24, 28, 38, 42	K6065.....	138, 150
09-266027.....	152, 154	K6065-25.....	152
09-266028.....	154	K6065-45.....	226
09-266029.....	156, 158	K6065-601.....	138, 154
09-266030.....	94, 96	K6066.....	150
09-266034.....	24, 28, 154	K6066-01.....	74, 76
09-266035.....	170	K6067-18.....	50
09-266036.....	32, 124, 154, 168, 172	K6067-19.....	134
09-266037.....	168	K6067-20.....	48
09-266040.....	8, 32	K6067-24.....	14
09-266194.....	52, 92, 156	K6067-26.....	42, 48
09-266195.....	136, 154	K6068-071.....	138
09-266243.....	168	K6074-09.....	88, 94, 96, 144
09-266309.....	160, 162	K6075.....	120, 126, 172
09-266587.....	224	K6075-01.....	10
09-266779.....	92	K6076-330.....	120, 124, 126
09-266793.....	12, 14, 24, 28, 38, 62, 64, 74, 76, 154, 162, 222	K6077.....	166
09-266960.....	118, 120, 124, 126	K6077-001.....	12, 14, 32, 92, 118, 158
09-266966.....	212, 214, 216, 218	K6077-01.....	120, 126, 172
09-267024.....	136, 168	K6077-011.....	224
09-267027.....	172	K6077-02.....	8, 120, 126, 164, 224
09-267053.....	172	K6077-08.....	142
09-267054.....	136, 150	K6077-113.....	226
09-267055.....	150	K6077-114.....	132
09-267180.....	168, 172, 174	K6077-201.....	162
09-267189.....	144	K6077-202.....	156
09-267257.....	24, 28, 226	K6077-206.....	212, 214, 216
09-267313.....	144	K6077-30.....	156, 222
09-267314.....	144	K6077-31.....	158
09-267315.....	144	K6078-014.....	118
09-267316.....	144	K6078-02.....	144, 156, 172
09-267326.....	152, 154	K6078-28.....	194
09-267330.....	54	K6078-310.....	168
09-267440.....	38, 156	K6080-20.....	38, 42, 46
09-267446.....	40, 56, 58, 60	K6085-0012.....	170, 194
09-267485.....	166	K6085-0015.....	226
09-267589.....	120, 126	K6085-0016.....	42
09-267591.....	138	K6085-021.....	164
09-267641.....	132	K6085-03.....	120
09-267708.....	154	K6085-062.....	50
09-267710.....	14, 138	K6085-064.....	82, 84
09-267713.....	86, 152	K6085-09.....	224
09-267716.....	218	K6129.....	92
09-267743.....	226	K6131.....	224
09-267804.....	136	K6131-02.....	38, 42, 46
09-267808.....	120, 124, 126	K6131-07.....	162
09-267810.....	120, 124, 126, 156	K6133.....	144, 170, 174, 194, 196
09-268054.....	146	K6133-1.....	136
703375.....	142	K6134.....	94, 96, 136, 168, 172, 224
81-0239.....	146	K6135.....	120, 126, 144, 172, 226
81-0249-FZB.....	136	K6135-1.....	120, 126, 144
81-0467.....	170	K6135-11.....	156
81-0483-FZB.....	142	K6135-12.....	94, 96, 138, 156, 162, 222
83-0051-FZB.....	172	K615-050.....	126
		K6150.....	174

K6151	138, 150, 152, 168, 172, 224	KT-240037	178
K6152	8, 42, 120, 126, 144, 156, 224, 226	KT-240038	176, 178
K6152-050.....	120	KT-240039	176
K6152-051.....	156, 162, 212, 214, 216, 218	KT-240040	176
K6152-07	138, 156, 162, 222	KT-240043	176
K6162-01	134	KT-240046	48
K6162-02	134	KT-240210	24, 28
K6163-000....	8, 38, 42, 46, 118, 120, 124, 126, 134, 146, 226	KT-240502	12, 14, 24, 28
K6163-002.....	132, 162, 164, 166	KT-2410010103.....	146
K6163-0020.....	120, 124, 126, 156, 158, 222	KT-2420002203.....	146
K6163-003.....	14, 20, 48, 118, 120, 126, 164, 166, 224	KT-2420200620.....	146
K6163-004....	94, 96, 120, 124, 126, 144, 150, 170	KT-2435200201.....	146
K6206-06	136	KT-252301	234
K6626-61	144	KT-253902	236
KT-003602	170	KT-256201	202, 206
KT-0146.125.....	136	KT-256301	202, 206
KT-0539	32	KT-256401	202, 206
KT-0541	168	KT-256701	206
KT-0547C.....	168	KT-266259	162
KT-082002	152, 154	KT-266883	156
KT-1012751.....	202, 206	KT-267126	38
KT-123120	138	KT-267140	38, 42, 46
KT-131201	162	KT-267172	20
KT-14350032.....	24, 28	KT-267802	10
KT-162820	168	KT-268059	218
KT-175550	202, 206	KT-268060	218
KT-175552	202, 206	KT-268061	218
KT-176425	14	KT-268062	218
KT-185015	10	KT-2719192.....	176
KT-185102	24, 28	KT-30012572.....	202, 206
KT-185104	12, 14, 22, 30	KT-38890	170
KT-185105	22	KT-42020405.....	14
KT-185111	12, 14	KT-42030812.....	22
KT-185112	24, 28	KT-4600-100.....	94, 96, 146, 156
KT-185114.....	32	KT-4690135.....	188, 192
KT-185115.....	32	KT-5001488.....	176
KT-185406	12, 14	KT-5001508.....	172, 176
KT-186204	174	KT-50541	146
KT-186307	174	KT-50542	146
KT-2326	160, 172, 222	KT-50740606.....	24, 28
KT-239802	210	KT-50740812.....	12, 14
KT-240000	174, 210	KT-50991141.....	12, 14
KT-240001	172, 210	KT-5201297005.....	208
KT-240003	224	KT-5201297075.....	208
KT-240004	232	KT-5201299030.....	208
KT-240008	188, 192	KT-5201299040.....	208
KT-240009	188, 192	KT-5201498030.....	202
KT-240010	210	KT-5201498040.....	202, 206
KT-240011	210	KT-5201498060.....	202, 206
KT-240015	210	KT-52933	168
KT-240021	226	KT-52971	168
KT-240025	202, 206	KT-52996	168
KT-240026	206	KT-53900528.....	46, 82
KT-240027	202	KT-53904216.....	226
KT-240028	206	KT-53904426.....	84
KT-240029	206	KT-55400040.....	38, 42, 46
KT-240030	210	KT-55410016.....	48
KT-240031	206	KT-55500206.....	40, 44, 226
KT-240032 .	100, 102, 104, 106, 108, 110, 112, 114	KT-55500208.....	218
KT-240033	100, 104, 108, 112	KT-55500306.....	226
KT-240035	22	KT-55500308.....	218
KT-240036	24, 28	KT-55500506.....	226
KT-240036-1.....	24, 28	KT-55510406.....	40, 44, 226
		KT-55603170.....	24, 28
		KT-55603185.....	24, 28

KT-56010102.....	48	KT-70081616.....	48, 84
KT-56010104.....	14, 24, 28, 46, 48, 52, 54, 56, 58, 60, 62, 64, 74, 76, 86, 92, 94, 96	KT-701010.....	146
KT-56010106.....	40, 44, 48, 54, 56, 58, 60, 62, 64, 88, 90, 92, 102, 106, 110, 114, 212, 214, 216, 218, 226	KT-70110202.....	44
KT-56010108.....	12, 14, 22, 42, 48, 102, 106, 110, 114, 218, 226	KT-70110404.....	24, 28
KT-56010112.....	38, 42, 46, 48, 82, 84, 102, 106, 110, 114	KT-70150409.....	66, 68, 70, 72
KT-56010116.....	48, 74, 76, 84	KT-70150612.....	66, 68, 70, 72
KT-56010120.....	38, 42, 78, 80	KT-70150817.....	66, 68, 70, 72
KT-56010206.....	24, 28	KT-701858.....	138
KT-56010208.....	38	KT-702280.....	24, 28
KT-56010222.....	38	KT-702281.....	38
KT-56100216.....	48	KT-702282.....	38
KT-56100220.....	46	KT-702283.....	24, 28
KT-56100240.....	40, 44, 46	KT-702417.....	210
KT-580908.....	168	KT-702418.....	210
KT-58132346.....	202	KT-702954.....	144
KT-58301608.....	24, 28	KT-703134.....	46
KT-58600812.....	22	KT-703138.....	24, 28
KT-59020009.....	146	KT-703180.....	208
KT-59950112.....	34	KT-703306.....	176
KT-59960126.....	34, 234	KT-703348-H.....	200
KT-6067-262.....	10, 20	KT-703348-V.....	198
KT-6067-270.....	8, 146	KT-703374.....	142
KT-6067-281.....	164, 166	KT-703457.....	42
KT-6067-284.....	94, 96	KT-703458.....	42
KT-6067-290.....	134	KT-703459.....	42
KT-6070-03.....	144	KT-703485.....	96
KT-60990044.....	38	KT-703486.....	96
KT-60990073.....	38	KT-703487.....	96
KT-61500015.....	38	KT-703574.....	22
KT-61710602.....	146	KT-703575.....	22
KT-61720606.....	146	KT-703576.....	22
KT-63155.....	168	KT-703577.....	22
KT-63186.....	168	KT-703578.....	22
KT-63189.....	168	KT-703579.....	22
KT-65669020.....	174	KT-703580.....	22
KT-68140015.....	172	KT-703582.....	22
KT-7002006.....	22	KT-703609.....	224
KT-70020204.....	48	KT-703692.....	146
KT-70020404.....	46, 48, 52, 54, 56, 58, 60, 62, 64, 74, 82, 86, 92	KT-703693.....	146
KT-70020406.....	62, 64, 88	KT-70900008.....	42
KT-70020606.....	48, 56, 58, 60, 62, 64, 90, 102, 106, 110, 114, 212, 214, 216, 226	KT-70900016.....	150
KT-70020608.....	54, 56, 58, 60, 64, 102, 106, 110, 114, 116, 218, 226	KT-70900404.....	64, 82, 84
KT-70020612.....	38, 42	KT-70900606.....	40, 226
KT-70020808.....	48, 102, 106, 110, 114, 116, 218	KT-70900808.....	42, 82, 84, 218
KT-70020812.....	46	KT-70901010.....	84
KT-70021212.....	46, 48, 82, 84, 102, 106, 110, 114	KT-70901212.....	82, 84
KT-70021216.....	48, 84	KT-72031616.....	48, 84
KT-70021616.....	74, 76, 80	KT-72040202.....	44
KT-70021620.....	38, 42, 78, 80	KT-72040404.....	64, 76, 94, 96
KT-7003416.....	176	KT-72040606.....	92
KT-7003417.....	176	KT-72050404.....	40, 86, 92
KT-7003426.....	176	KT-72050606.....	62, 212
KT-7003427.....	176	KT-72050808.....	44
KT-700661.....	152, 154	KT-72051616.....	40
KT-70080408.....	44	KT-73030404.....	62
KT-70080608.....	44	KT-73051616.....	44, 76, 80
KT-70081216.....	48, 84	KT-74011616.....	82
		KT-74030404.....	62, 64, 66, 68
		KT-74030606.....	64
		KT-740404041.....	44, 52, 88
		KT-74040606.....	40, 90
		KT-74040808.....	44
		KT-74041616.....	48, 74, 76, 80, 82, 84
		KT-74131616.....	48, 84
		KT-75020012.....	46

KT-75030004	48, 62, 64	KT-790553	38, 42
KT-75030006	64	KT-790566-2	62, 64
KT-765001	12	KT-790595	188, 192
KT-765001-1	12	KT-790600	56, 58, 60, 240
KT-765001-2	12, 16, 78, 80	KT-790601	92
KT-765001-3	12, 16	KT-790602	92
KT-765001-4	12, 16	KT-790603	92, 240
KT-765001-5	12, 16	KT-790605	116
KT-765001-6	12, 16	KT-790616	114
KT-765001-7	12, 16	KT-790623	236
KT-765001-8	12, 14	KT-790624	236
KT-765003	12, 14	KT-790626	236
KT-765004	12, 14	KT-790636	128
KT-765005	12, 14	KT-790653	48
KT-765006	12, 14	KT-790672	212
KT-765007	12, 14	KT-790672-1	212
KT-765008	32	KT-790680	22
KT-765009	32	KT-790685-1	128
KT-765010	32	KT-790685-3	128
KT-765011	12, 14	KT-790690	168
KT-765018	20	KT-790691	170
KT-765020	176	KT-790691-1	170
KT-765034	32	KT-790692	84, 168
KT-765034-1	32	KT-790694	174
KT-765035	34	KT-790695	172
KT-765036	34	KT-790698	174
KT-765036-1	34	KT-790700	168
KT-765037	24, 28	KT-790708	186, 190
KT-765038	24, 28	KT-790710	168
KT-765039	34	KT-790712	176
KT-765039-1	34	KT-790725	100, 104, 108, 112
KT-765042-5	22	KT-790749	210
KT-765043	10	KT-790754	100, 104, 108, 112
KT-765044	12, 14	KT-790769	178
KT-765045	18	KT-790775	176
KT-765046	32	KT-790779	176
KT-765047	34	KT-790780	176, 178
KT-765049	34	KT-790785	186, 190
KT-785011	146	KT-790818	102, 106, 110, 114
KT-785018	210	KT-790832	178
KT-785036	92, 142	KT-790837-1	134
KT-785179	188, 192	KT-790837-2	134
KT-790011	102, 106, 110, 114	KT-790851	88
KT-790028	212, 214, 216, 218	KT-790851-1	88
KT-790029	212, 214, 216, 218	KT-790856	12, 14
KT-790032	212, 214, 216, 218	KT-790862	186
KT-790037	176	KT-790863	186, 190
KT-790038	176	KT-790863-1	186, 190
KT-790039	176	KT-790879	188, 192
KT-790042	176	KT-790881	180
KT-790046	178	KT-790881-1	180
KT-790050	172	KT-790881-10	180
KT-790050-1	172, 228	KT-790881-2	180
KT-790050-2	228	KT-790881-20	180
KT-790052	210	KT-790881-3	180
KT-790069	176	KT-790881-30	180
KT-790515	134, 212	KT-790881-4	180
KT-790515-1	134	KT-790881-40	180
KT-790516	134	KT-790881-5	180
KT-790531	132	KT-790881-50	180
KT-790539	128	KT-790881-6	180
KT-790540	128	KT-790881-60	180
KT-790541	236	KT-790884	214
KT-790542	236	KT-790884-1	214
KT-790543	236	KT-790887	100, 102, 104, 106, 108, 110, 112, 114

KT-790897	234	KT-791105	24, 28
KT-790913	48, 82, 84	KT-791108	236
KT-790919	38, 42	KT-791110	116
KT-790948	188	KT-791111	116
KT-790953	200	KT-791116	188, 192, 210
KT-790954	198	KT-791116-1	188, 192, 210
KT-790960	100, 104, 108, 112	KT-791116-2	118, 120, 124, 126, 188, 192, 210
KT-790962	48	KT-791116-3	188, 192, 210
KT-790967	164, 166	KT-791116-4	188, 192, 210
KT-790976	38, 42	KT-791116-5	188, 192, 210
KT-790977	102, 106, 110	KT-791116-6	188, 192
KT-790979	220	KT-791117	210
KT-790979-1	220	KT-791118	138, 210
KT-790979-10	220	KT-791118-1	139
KT-790979-2	220	KT-791119	24, 28
KT-790979-20	220	KT-791121	210
KT-790979-3	220	KT-791131	164, 166
KT-790979-30	220	KT-791137	236
KT-790979-5	220	KT-791138	234
KT-790979-6	220	KT-791143	38, 42
KT-790988	164, 166	KT-791143-1	38, 42
KT-790988-1	164, 166	KT-791143-2	38, 42
KT-790988-2	164, 166	KT-791143-20	38, 42
KT-790988-3	164, 166	KT-791146	118, 120, 124, 126
KT-790988-4	164, 166	KT-791155	236
KT-790988-5	164, 166	KT-791155-1	236
KT-790988-6	164, 166	KT-791155-2	236
KT-790988-7	164, 166	KT-791155-AWS	236
KT-790988-8	164, 166	KT-791155-HUV	236
KT-790988-9	164, 166	KT-791158-1	218
KT-790989	146	KT-791158-2	218
KT-790989-1	146	KT-791159	134, 216, 218
KT-790989-2	146	KT-791166	164, 166
KT-790989-3	146	KT-791177	138, 228
KT-790989-4	146	KT-791178	228
KT-790989-5	146	KT-791185	38, 42, 46
KT-790990	146	KT-791186H	164, 166
KT-790990-1	146	KT-791186V	164, 166
KT-790990-2	146	KT-791194	186, 190
KT-790990-3	146	KT-791197	116
KT-790995	128	KT-791198	116
KT-790995-1	128	KT-791202	240
KT-790995-4	128	KT-791203	192
KT-791018	94, 96	KT-791203-1	188, 192
KT-791019	94, 96	KT-791203-2	188, 192
KT-791019-1	94, 96	KT-791204	202, 206
KT-791025	94, 96	KT-791205	92
KT-791034	162	KT-791207	98, 100
KT-791043	186	KT-791208	98, 104
KT-791045	210	KT-791210	52, 240
KT-791045-1	210	KT-791213	100, 102, 104, 106, 108, 110, 112, 114
KT-791046	164, 166	KT-791214	62, 64, 240
KT-791052	132	KT-791214-2	62, 64
KT-791056	236	KT-791214-3	62, 64
KT-791060	190	KT-791217	86, 240
KT-791062	188, 192, 194, 196	KT-791217-1	86
KT-791075	90	KT-791219	48, 240
KT-791075-1	90	KT-791222	100, 104, 108, 110, 112, 114
KT-791079	212, 214, 216, 218	KT-791223	100, 102, 104, 106, 108, 110, 112, 114
KT-791097	186	KT-791224	100, 106, 108, 110, 114
KT-791098	172	KT-791225	66, 68, 164, 166, 240
KT-791100	116	KT-791226	70, 72, 164, 166, 240
KT-791101	116	KT-791227	54, 240
KT-791102	102, 104, 106, 110, 112, 114, 116	KT-791228	102, 218
KT-791103	138, 210	KT-791233	176

KT-791234	202	KT-791439	190
KT-791237	210	KT-791443	190
KT-791238	166	KT-791445	220
KT-791240	134	KT-791447	220
KT-791241	22	KT-791448	190
KT-791244	12, 14	KT-791453	48
KT-791245	12, 14	KT-791462	90
KT-791264	186	KT-791465	154
KT-791268	236	KT-791474	220
KT-791268-1	236	KT-791475	220
KT-791268-2	236	KT-791491	176
KT-791270	198	KT-791493	128
KT-791271	200	KT-791497	220
KT-791272	186, 190	KT-791499	220
KT-791281	100, 104, 106, 108, 112, 114	KT-791521	208
KT-791284	136	KT-791522	208
KT-791303	100, 102, 104, 106, 108, 110, 112, 114	KT-791533	24
KT-791304	100, 104, 108, 112	KT-791534	28
KT-791305	38, 42	KT-791536	28
KT-791307	98, 108	KT-791537	30
KT-791308	98, 112	KT-791551	120, 126
KT-791310	186, 190	KT-791606	48
KT-791313	188, 192	KT-791625	48
KT-791317	100, 104, 108, 112	KT-791678	90
KT-791318	100, 102, 104, 106, 108, 110, 112, 114	KT-795002	8
KT-791319	100, 106, 108, 114	KT-795003	8
KT-791320	46, 240	KT-795023	32
KT-791320-1	46	KT-795024	32
KT-791326	164, 166	KT-795027	20
KT-791330	214	KT-795028	20
KT-791335	176	KT-8000	20
KT-791337	128	KT-8001	20
KT-791337-1	128	KT-8002163	176
KT-791337-10	128	KT-8002520	176
KT-791337-4	128, 130	KT-8003335	176
KT-791337-5	128, 130	KT-8003336	176
KT-791337-6	128, 130	KT-8003337	176
KT-791337-7	128, 130	KT-8003348	176
KT-791337-8	128, 130	KT-890038	170
KT-791337-9	130	KT-890039	170
KT-791338	74, 240	KT-890040	170
KT-791342	128	KT-890049	186
KT-791362	188, 192	KT-890049-1	190
KT-791363	188, 192	KT-890056	136
KT-791367	150	KT-890065	222
KT-791378	76, 240	KT-890118	38, 42
KT-791379	144	KT-890135	186
KT-791380	144	KT-890165	236
KT-791381	144	KT-MB21755	128
KT-791385	176	KT-S3250	200
KT-791386	178	KT-S4114	198, 200
KT-791419	128	KT-S5427-2	198
KT-791421	128	KT-S5427-5	198
KT-791422	128	KT-S5693-5	200
KT-791422-1	128	KT-S6884	198
KT-791422-2	128	KT-S6885	198, 200
KT-791422-3	128	KT-S6960	198
KT-791423	100, 104, 108, 112	KT-S8567	198, 200
KT-791424	100, 104, 108, 112	KT-TBSK4WD	224
KT-791425	100, 104, 108, 112	KT100024	156, 162
KT-791428	106, 110, 114	KT100079	134
KT-791432	132	KT100177	162
KT-791433	48, 240	KT100178	162
KT-791435	128	KT100179	162
KT-791438	192	KT100180	162, 218

KT55603157.....	14	TE-700409.....	138, 222
T3999042.....	136, 168	TE-700466.....	172
T4099298.....	92	TE-700685.....	156
T4299181.....	186, 190	TE-700730.....	22
T4299185.....	186	TE-700749.....	156
T4299185-1.....	190	TE-700984.....	178
T4299186.....	190	TE-701000.....	146
T4299189.....	186, 190	TE-701092.....	148
T4299190.....	186, 190	TE-701093.....	148
T4299191.....	186, 190	TE-701094.....	148
T4299195.....	186	TE-701095.....	148
T50032.....	186, 190	TE-701096.....	148
T50033.....	186, 190	TE-701097.....	148
T50041.....	202, 206, 208	TE-701100.....	172
T50125.....	186	TE-701162.....	10
T50127.....	186, 190	TE-701195.....	156
T50128.....	186, 190	TE-701235.....	138, 172, 210
T50153.....	186, 190	TE-701375.....	160
T50156.....	202, 206	TE-701391.....	138
T50165.....	202, 206	TE-701441.....	152
T50237.....	192	TE-701509.....	94, 96
T50330.....	186, 190	TE-701511.....	156
T50366.....	186	TE-701523.....	94
T50409.....	202, 206	TE-701528.....	94, 96
T50462.....	174	TE-701529.....	94
T50535.....	210	TE-701536.....	172
T50545.....	186, 190	TE-701539.....	172
T50549.....	188, 192, 194	TE-701543.....	234
T50550.....	186, 190	TE-701554.....	94, 96
T50557.....	186	TE-701564.....	94, 96
T51078.....	186, 190	TE-701565.....	94, 96
T51079.....	186, 190	TE-701597.....	162
T53002.....	172	TE-701600.....	162
T53003.....	172	TE-701601.....	162
T53009.....	172	TE-701604.....	162
T53030.....	168	TE-701630.....	148
T53033.....	136	TE-701678.....	94, 96
T6493506.....	136, 168	TE-701681.....	94, 96
TE-38329.....	168	TE-701684.....	94, 96
TE-38330.....	168	TE-701685.....	94, 96
TE-38331.....	168	TE-701735.....	164, 166
TE-38339.....	168	TE-701760.....	168
TE-38346.....	172	TE-701761.....	168
TE-38891H.....	170	TE-701808.....	226
TE-38891V.....	170	TE-701813.....	138
TE-604387.....	156	TE-701820.....	138
TE-604388.....	156	TE-701847.....	148
TE-67545.....	168	TE-701849.....	138
TE-67548.....	170	TE-701862.....	138
TE-67549.....	170	TE-701881.....	138
TE-700066.....	160	TE-701884.....	138
TE-700091.....	146	TE-701895.....	222
TE-700147-1.....	24, 28	TE-701920.....	210
TE-700183.....	24, 28	TE-701949.....	128
TE-700243.....	88	TE-701950.....	128
TE-700270.....	156	TE-701951.....	164, 166
TE-700271.....	156	TE-701959.....	160
TE-700303.....	92	TE-701977.....	138
TE-700307.....	92	TE-701982.....	138
TE-700309.....	118, 120, 124, 126	TE-701985.....	138
TE-700318.....	234	TE-702019.....	158
TE-700347.....	136	TE-702025.....	158
TE-700348.....	136	TE-702026.....	158
		TE-702029.....	158
		TE-702030.....	158

TE-702047	138	TE-702648	136
TE-702094	8	TE-702651	136
TE-702103	8	TE-702653	136
TE-702106	8	TE-702687	158
TE-702108	8	TE-702705	118
TE-702116	156	TE-702706	40, 44
TE-702125	222	TE-702737	46, 56, 58
TE-702131	14	TE-702738	94, 96
TE-702135	12, 14	TE-702739	38
TE-702136	12	TE-702773	124
TE-702143	12, 14	TE-702774	128
TE-702153	82, 84	TE-702775	118, 120, 124, 126
TE-702154	38, 240	TE-702778	118, 120, 124, 126
TE-702168	24	TE-702797	194, 196
TE-702176	24, 28	TE-702798	194, 196
TE-702187	32	TE-702800	234
TE-702190	32	TE-702806	170
TE-702223	24	TE-702819	38
TE-702224	32	TE-702824	124
TE-702227	32	TE-702825	218
TE-702245	156	TE-702828	218
TE-702254	158	TE-702846	166
TE-702284	138	TE-702847	166
TE-702285	138	TE-702866	194, 196
TE-702295	164	TE-702893	218
TE-702296	164	TE-702902	170
TE-702310	164	TE-702907	74
TE-702373	156	TE-702921	22
TE-702374	156	TE-702932	144
TE-702376	152	TE-702936	144
TE-702388	222	TE-702944	144
TE-702397	158	TE-702946	144
TE-702408	222	TE-702949	150
TE-702412	210	TE-702950	150
TE-702413	210	TE-702951	150
TE-702421	222	TE-702952	150
TE-702425	118, 124	TE-702987	42, 240
TE-702430	118, 124	TE-703011	42
TE-702438	118, 120, 124, 126	TE-703066	194
TE-702444	160	TE-703071	150, 234
TE-702470	160	TE-703114	166
TE-702471	160	TE-703115	166
TE-702472	160	TE-703133	144
TE-702488	160, 162	TE-703145	50
TE-702492	160	TE-703150	40
TE-702494	118, 124	TE-703160	50
TE-702513	138	TE-703195	42
TE-702517	172, 210	TE-703196	42
TE-702520	172, 210	TE-703210	76
TE-702528	14	TE-703212	126
TE-702544	136	TE-703218	120, 126
TE-702546	136	TE-703223	120, 126
TE-702572	172	TE-703229	120
TE-702584	136	TE-703236	156
TE-702600	138	TE-703238	156
TE-702601	136	TE-703275	14
TE-702601-1	24, 136	TE-703368	142
TE-702614	136	TE-703380	142
TE-702618	224	TE-703447	154
TE-702621	224	TE-703451	154
TE-702622	224	TE-703452	154
TE-702623	224	TE-703453	154
TE-702634	172	TE-703455	154
TE-702639	136	TE-703475	156
TE-702647	136	TE-703483	156

TE-703484	156	TS-118090	62, 64
TE-703488	96	TS-118115	44
TE-703489	96	TS-118150	40
TE-703491	96	TS-118170	66
TE-703492	32	TS-118177	92
TE-703517	134	TS-121045	212, 214, 216
TE-703518	134	TS-121080	212, 214, 216
TE-703541	190	TS-121102	118
TE-703595	226	TS-121140	118
TE-703623	24, 28	TS-121150	56
TE-703624	162	TS-121165	58
TE-703648	162	TS-121190	118
TE-703661	28	TS-121246	118
TE-703662	28	TS-121380	226
TE-703709	200	TS-121479	118
TE-703710	198	TS-122028	46, 62, 64
TE-703754	150	TS-122035	226
TE-704010	156	TS-122040	66, 68, 226
TE-704011	156	TS-122045	118
TE-710019	136	TS-122049	40
TE-710023	146	TS-122050	40, 50
TE-710040	94, 240	TS-122060	40, 42, 116, 118
TE-710056	224	TS-122070	118
TE-710149	154	TS-122080	118, 122
TE-710185	162	TS-122090	90
TE-710187	152	TS-122095	116
TE-710205	146	TS-122130	70
TE-720178	210	TS-122155-2	64
TE-791087	200	TS-122157	50, 62
TE-791159	134	TS-123028	40, 44
TM-702945	144	TS-123032	92
TM-710157	96, 240	TS-123058	40
TS-111055-2	64, 76	TS-123121	60
TS-111170	60, 68	TS-127075	90
TS-111212	58, 68	TS-127100	72
TS-111220	64, 84	TS-127130	70
TS-111395	60	TS-128050-2	44
TS-112030	44, 50, 88	TS-128055	116
TS-112055	56, 58, 62, 64, 74	TS-128070	116
TS-112060	50, 52	TS-128128	40, 46
TS-112085	62, 64, 74, 76	TS-128270	118
TS-112090	60, 72, 86	TS-128549	118
TS-112095	60, 72, 82, 84, 92	TS-128600	44
TS-112100	44, 50, 52, 64	TS-131040	218
TS-112110	68, 72	TS-131045-2	50, 84
TS-112120	58, 72	TS-131050-2	50, 84
TS-112125-2	58, 64	TS-131395	60
TS-112130	58, 62, 72	TS-132029	40, 82
TS-112150	56, 70	TS-132033	82
TS-112152	52, 54, 62	TS-132040	44, 84
TS-112160	56	TS-132049	44, 56, 58
TS-112170	60, 68, 70	TS-132050	40, 62
TS-112180	66	TS-132056	40
TS-112190	66, 70	TS-132058	82
TS-112205	58, 68	TS-132060-2	54
TS-112207	62, 82	TS-132066	44, 54, 84
TS-112220	62, 64, 82, 84	TS-132095	72
TS-112317	62, 64, 94, 96	TS-132100	72, 218
TS-112330	62, 64, 94, 96	TS-132105	72
TS-113027	88	TS-132135	68
TS-113045	50, 52	TS-132140	44, 68
TS-113115	70	TS-132145	68
TS-113140	82	TS-132155	50, 72
TS-113155	70	TS-132185	50, 68
TS-113160-2	84, 86	TS-132205	50, 72

TS-132210	50, 68	TS-152065	50, 84
TS-132220	50, 68, 72	TS-158013	82
TS-132250	50, 68	TS-158023	82
TS-133047	82	TS-162051	46, 50
TS-133060-2	44, 64	TS-162180	46, 82
TS-133170	116	TS-171043	74
TS-137025	218	TS-171045	50, 74, 76
TS-138040	66, 70	TS-172070	44, 76
TS-151095	50, 84	TS-172180	74, 76, 78, 80
TS-151200-4	84	TS-172235	38, 74, 76, 78, 80
TS-152021	82	TS-273056	150
TS-152060	82		

TERRI

FOR ALL TERRAIN

Address

Terri AB
c/o Alfing i Älmhult AB
Box 151
343 22 Älmhult

Phone:
+46 476 69 52 00

Web:
www.terri.se

E-mail:
info@terri.se