

Spare Parts Catalog

Terri 3 CW 8WD



CONTENTS

1	INTRODUCTION	1
2	KEY TO SYMBOLS	3
	Key to symbols	3
3	ENGINE	7
	Engine mounts	7
	Exhaust system	9
	Cooling system.....	11
	Cooling system.....	13
	Drive belts	17
	Pump connector	19
	Heating system (with Eberspächer).....	21
	Fuel system.....	23
	Fuel system.....	27
	Air and fuel filter.....	31
	Oil filter and drain.....	33
4	HYDRAULIC SYSTEM	35
	Hose identification	35
	Hydraulic tank (A)	37
	Hydraulic tank (A)	41
	Hydraulic pump (B)	45
	Drive valve (C).....	47
	Block valve drain (D).....	51
	Valve block drain trailer (E).....	53
	Distribution block front bogie (F).....	55
	Distribution block front bogie (F).....	57
	Distributor block rear bogie (G).....	59
	Pilot block (H).....	61
	Pilot block (H).....	63
	In-wheel motor, wheel w/o brake (I) - welded bogie.....	65
	In-wheel motor, wheel without brake (I) - cast bogie.....	67
	In-wheel motor, wheel with brake (J) - welded bogie.....	69
	In-wheel motor, wheel with brake (J) - cast bogie.....	71
	Thermostat block (K).....	73
	Thermostat block (K).....	75
	Hydraulic oil cooler	77
	Hydraulic oil cooler	79
	Bulkhead connector	81
	Bulkhead connector	83
	Reducing piece.....	85
	Valve block, articulation lock	87
	Articulation lock cylinders	89
	Steering cylinders	91
	Cab lift, valve and pump	93
	Ladder	95
	Ladder	97
	Crane valve with connections	99
	Crane valve - P40 - CT/CW/FT/FW	101
	Crane valve - P40 - CT/CW/FT/FW	105
5	CRANE	109
	Accumulators and overcentre valve.....	109
	Crane P40 Combi/Harvester.....	111
	Crane P40 Combi/Harvester.....	117
	Link/Slewing damper.....	121
	Axle	125
	Rotator	127
6	FRAME AND BODY	129
	Hood, hinges and battery shelf.....	129
	Cab lock.....	137

Frame joint/Steering joint.....	139
Articulation sensor and protective hose for lighting cable	143
Frame valve assembly, without rubber cover.....	145
Frame valve assembly, without rubber cover.....	147
Trailer	149
Stake.....	153
Counterweight with toolbox.....	155
Counterweight with/without toolbox	157
Wheel suspension, welded bogie - Poclairn	159
Wheel suspension, cast bogie - Poclairn.....	161
7 CAB	163
Windows, doors and hatches	163
Cab, exterior	167
Air conditioner ECC kit	171
Sunshields	175
8 SEAT.....	177
9 ELECTRICAL SYSTEM.....	181
Switches etc. inside cab	181
Switches etc. inside cab	185
Throttle pedal, moveable with foot switch for direction of travel	189
Throttle pedal, moveable without foot switch for direction of travel	191
Lever pallet, left	193
Lever pallet, right	195
Distribution box.....	197
Distribution box.....	201
Engine control box	203
Lighting and wiper motors.....	205
10 GRAPPLE	207
Grapple with 50 mm adapter.....	207
Grapple with 63 mm adapter.....	209
Grapple with bolted rotator	211
Quick-release connector	213
11 HARVESTER HEAD.....	215
Log Max 928, felling link	215
Log Max 2000T, felling link	217
12 OTHER OR ADDITIONAL EQUIPMENT	219
Drive belt and chains.....	219
Towing hook	221
Stump treatment.....	223
Cabinet Droppen cab	225
Electric front winch.....	227
Hydraulic front winch.....	229
Fire extinguisher.....	231
Fire extinguishing system.....	233
Engine heater Eberspächer Hydronic S3 24V	235
Tools and miscellaneous	237
Signs and decals	239
Colour.....	241
13 HYDRAULIC DIAGRAM	243
Rev B	243
Drive valve 8WD.....	245
INDEX	246

1 INTRODUCTION

TERRI is constantly working to improve its machines. As such, we reserve the right to change data and equipment, as well as instructions for maintenance and other measures.

The spare parts catalogue is designed to cover all TERRI markets and equipment levels, so please disregard the sections that do not apply to your particular machine.

During the warranty period, **only** genuine TERRI spare parts should be used to ensure the functionality of the machine and maintain the warranties.

Note:

If a part has a hyphen instead of a number, or a hyphen in front of the number in the "Item column", it belongs to the part without a hyphen listed above it, but can also be purchased as a separate part.

When ordering spare parts, always indicate the serial number of the machine.

When ordering a hydraulic hose, always check the length and type of couplings on the existing hose before ordering.

To order spare parts, please contact:

reservdelar@terri.se

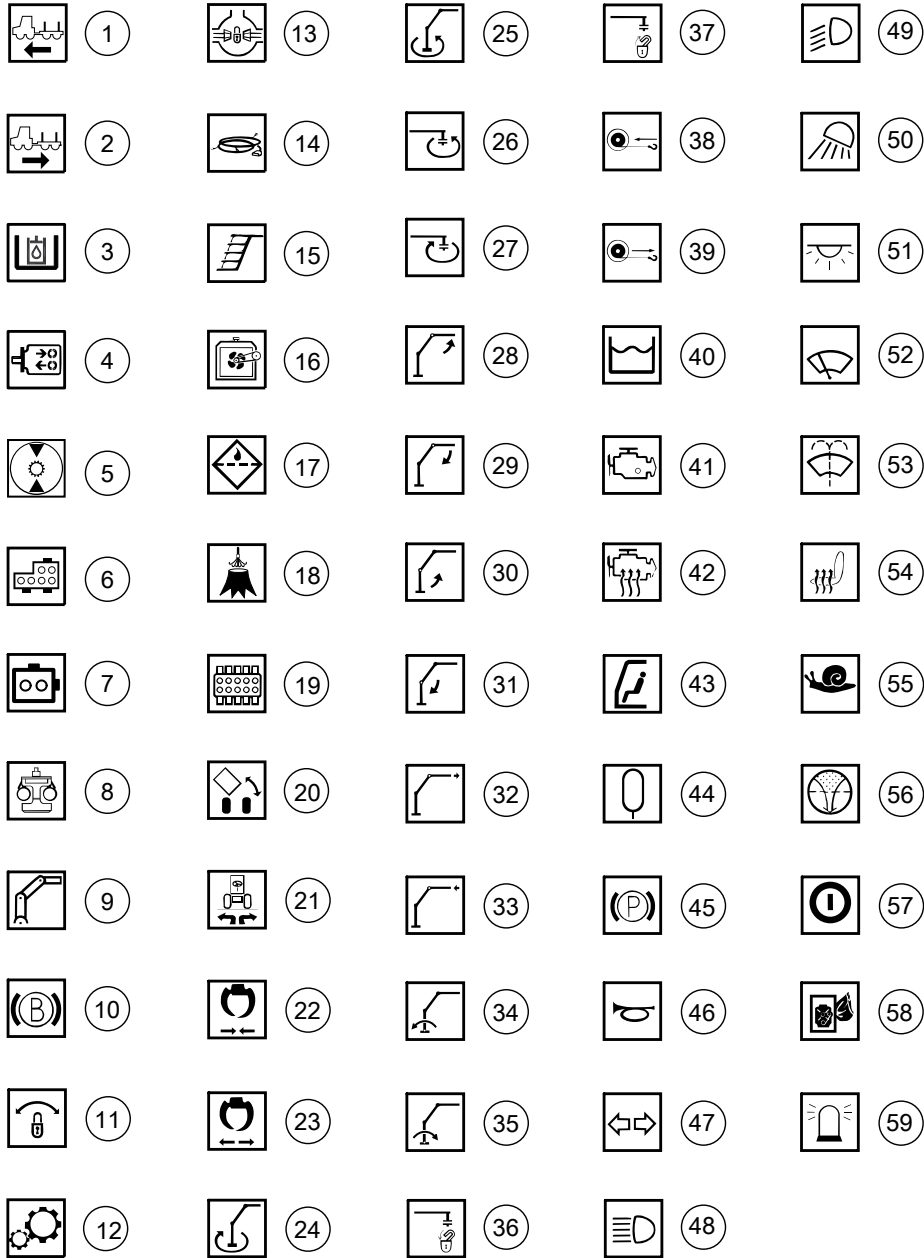
Bäckgatan 32, Box 151,

SE-343 22 Älmhult

Tel: +46(0)476-70 97 90

2 KEY TO SYMBOLS

Key to symbols

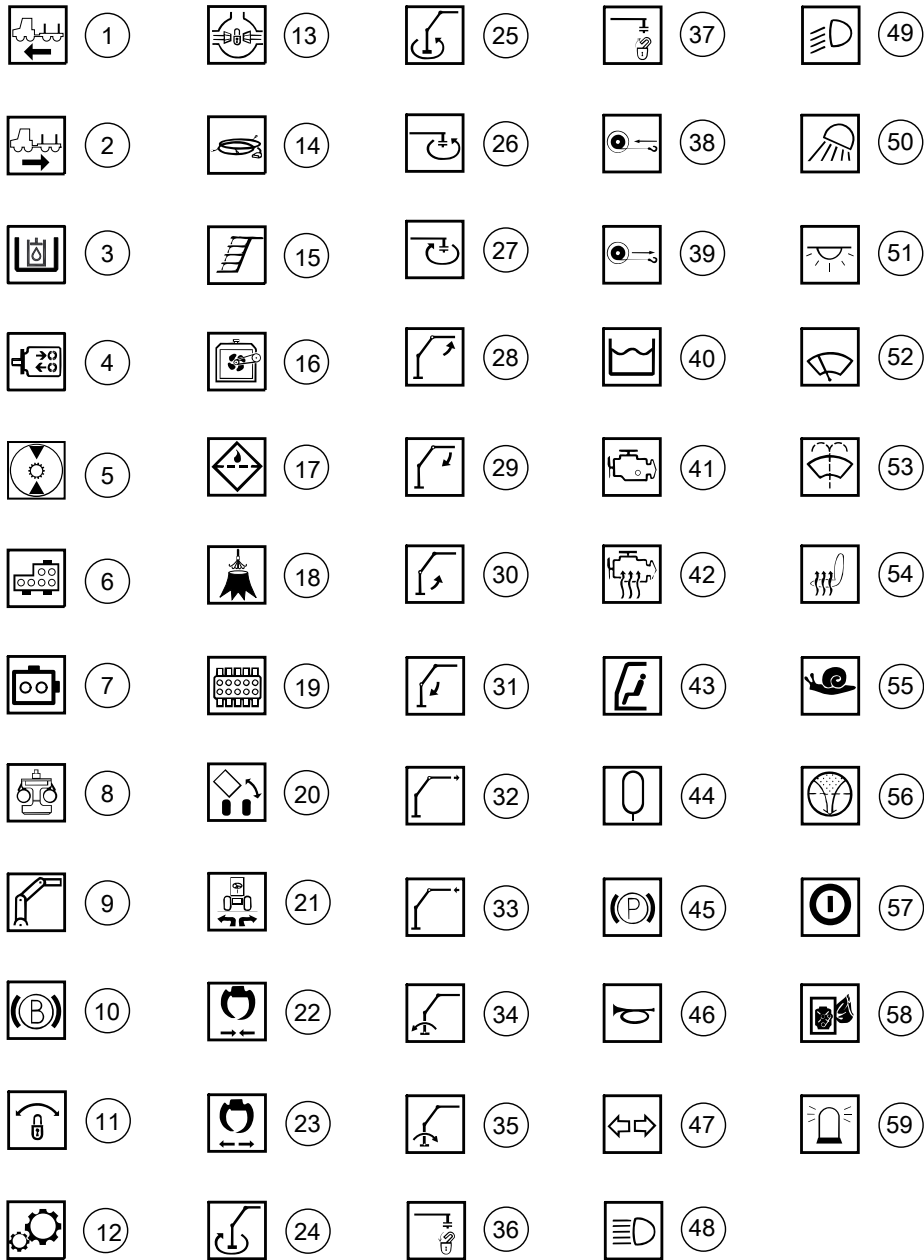


000361

Key to symbols

Pos	Art.	Qty.	Description	Remarks
1			Machine forwards	
2			Machine backwards	
3			Hydraulic oil tank	
4			Hydraulic pump	
5			In-wheel motor	
6			Hydraulic valve	
7			Hydraulic block	
8			Harvesting head	
9			Crane	
10			Brake	
11			Articulation lock	
12			Gear	
13			Differential lock	
14			Electricity	
15			Ladder	
16			Cooling	
17			Oil filter	
18			Stump treatment (urea)	
19			Hydraulic controls/Valve assembly	
20			Cab tilt	
21			Articulated steering	
22			Grapple, close	
23			Grapple, open	
24			Crane slew, clockwise	
25			Crane slew, anticlockwise	
26			Rotator, anticlockwise	
27			Rotator, clockwise	
28			Rocker arm, up	
29			Rocker arm, down	
30			Jib, up	
31			Jib, down	
32			Extension, out	
33			Extension, in	
34			Crane tilt/Levelling, backwards	
35			Crane tilt/Levelling, forward	
36			Crane tip equipment, lock	

Key to symbols



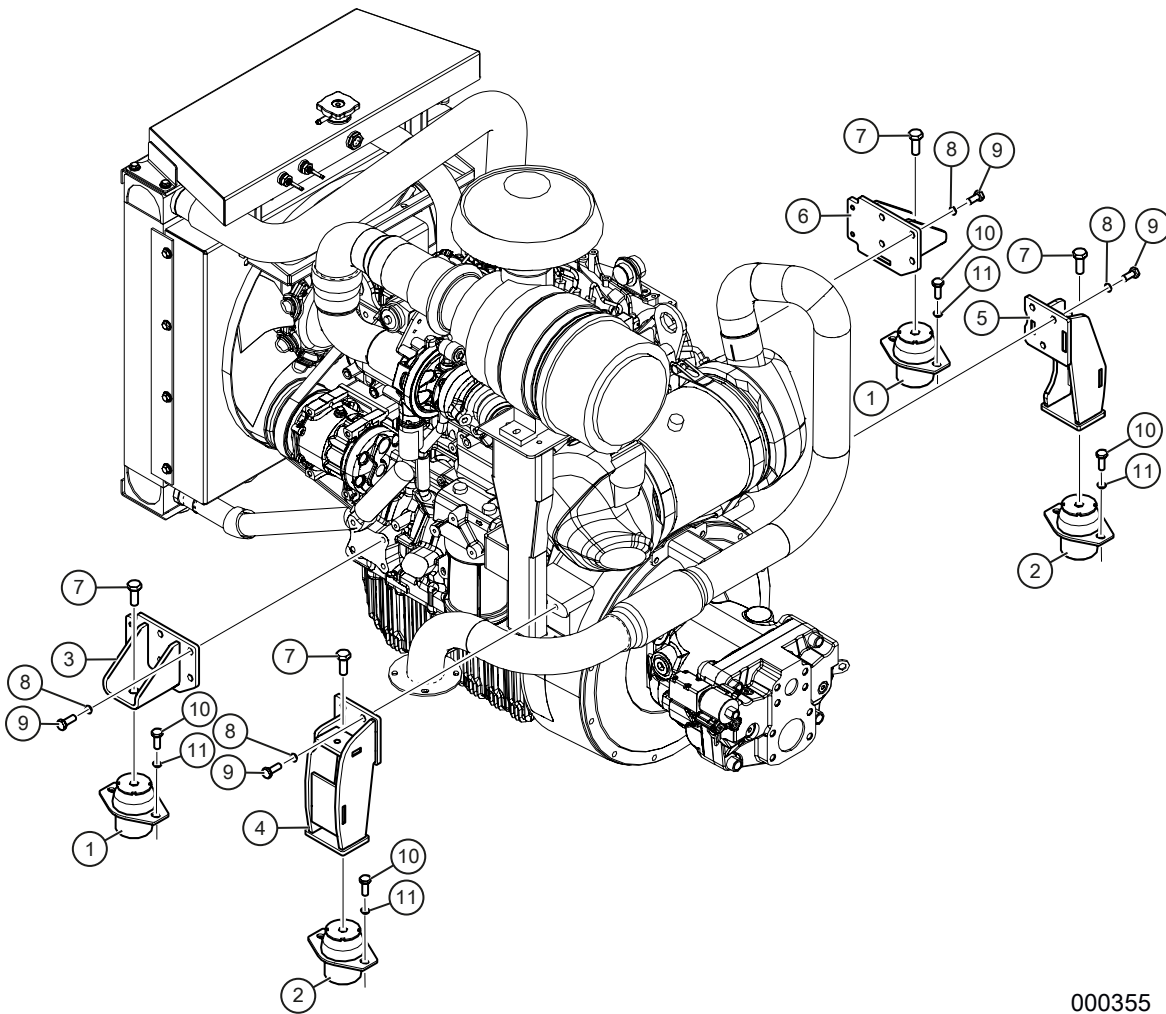
000361

Key to symbols

Pos	Art.	Qty.	Description	Remarks
37			Crane tip equipment, unlock	
38			Winch, in	
39			Winch, out	
40			Fuel tank	
41			Engine	
42			Engine heater	
43			Cab	
44			Accumulator	
45			Parking brake	
46			Horn	
47			Turn indicator	
48			High beam	
49			Low beam	
50			Work lights	
51			Internal light	
52			Windscreen wiper	
53			Windscreen washer	
54			Seat heater	
55			Gear shift control	
56			Return oil filter	
57			Proximity switch	
58			Fire extinguishing system	
59			Rotating beacon	

3 ENGINE

Engine mounts

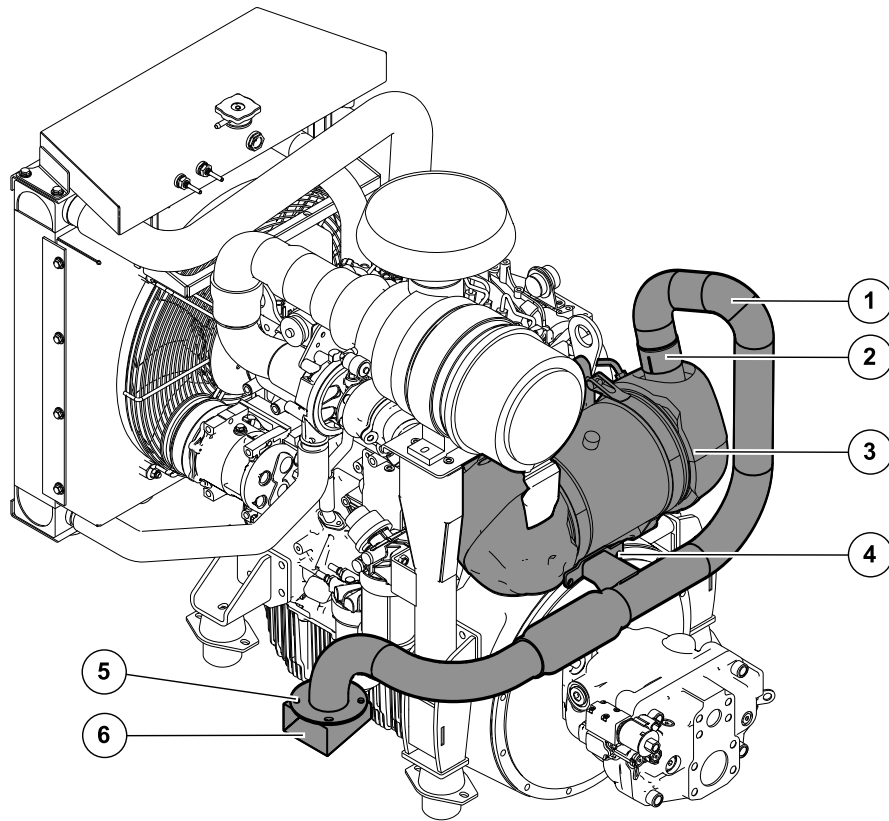


000355

Engine mounts

Pos	Art.	Qty.	Description	Remarks
1	KT-795003	2 pcs	Engine cushion	Front
2	KT-795002	2 pcs	Engine cushion	Rear
3	TE-702108	1 pc	Engine mount	Left front
4	TE-702103	1 pc	Engine mount	Left rear
5	TE-702094	1 pc	Engine mount	Right rear
6	TE-702106	1 pc	Engine mount	Right front
7	09-266040	4 pcs	Flange screw	M6SFT 12x25 8.8 FZB
8	K6163-000	14 pcs	Nordlock washer	M12
9	KT-6067-270	14 pcs	Hex screw	MC6SH 12X30 12.9 OBEH. Use Loctite 270
10	K6077-02	8 pcs	Screw	M6S 10X30 8.8 FZB
11	K6152	8 pcs	Flat washer	BRB M10 FZB

Exhaust system

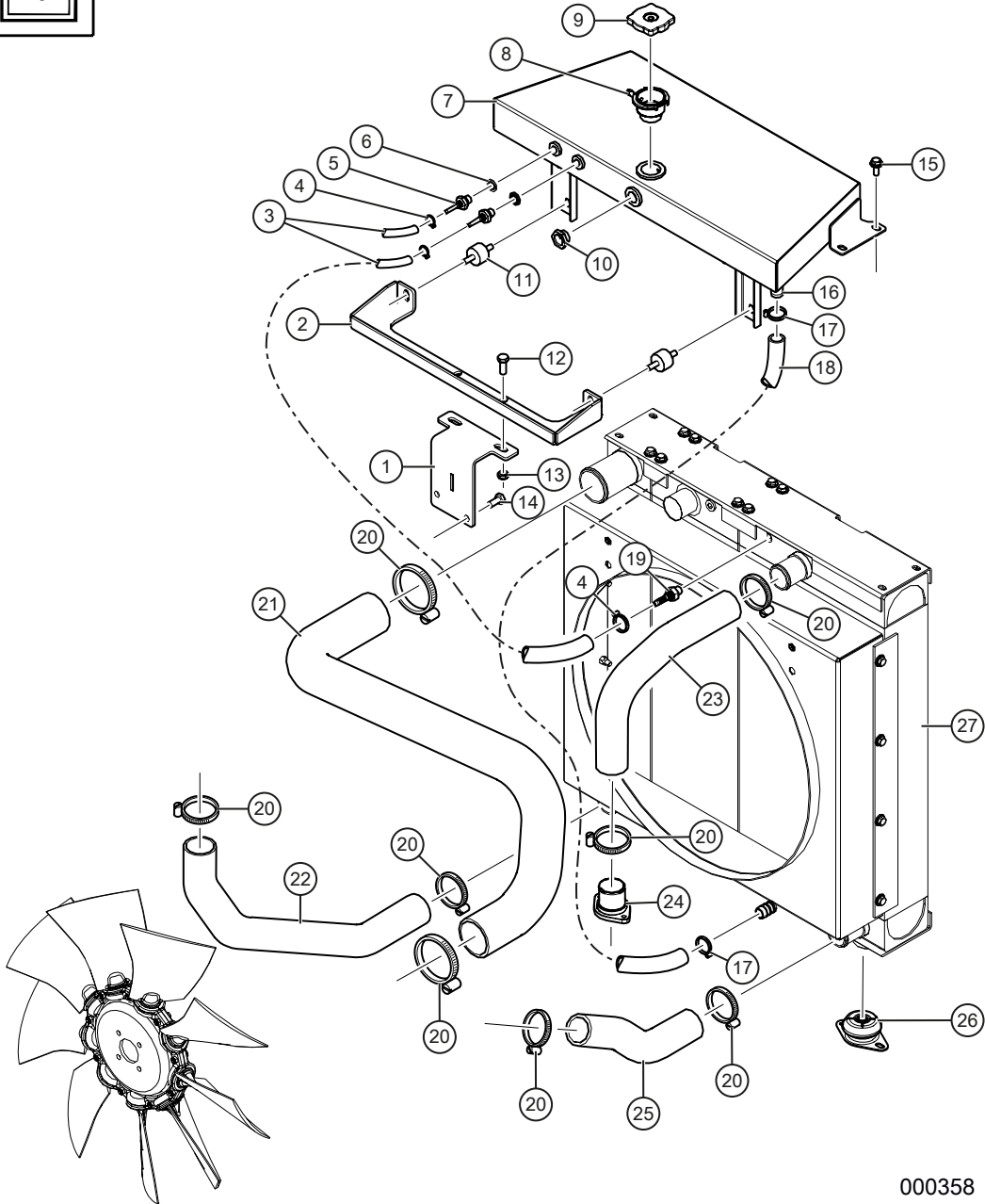


000357

Exhaust system

Pos	Art.	Qty.	Description	Remarks
1	KT-267802	1 pc	Exhaust pipe	Replaces TE-702324
2	KT-185015	1 pc	Pipe clamp	2 3/4" 70 mm
3	KT-765043	1 pc	Particulate filter	
4	KT-6067-262	2 pcs	Hex screw	MC6SH 10x30 12.9
5	K6075-01	4 pcs	Screw	M6S 8X25 8.8 FZB
6	TE-701162	1 pc	Cap exhaust pipe	

Cooling system

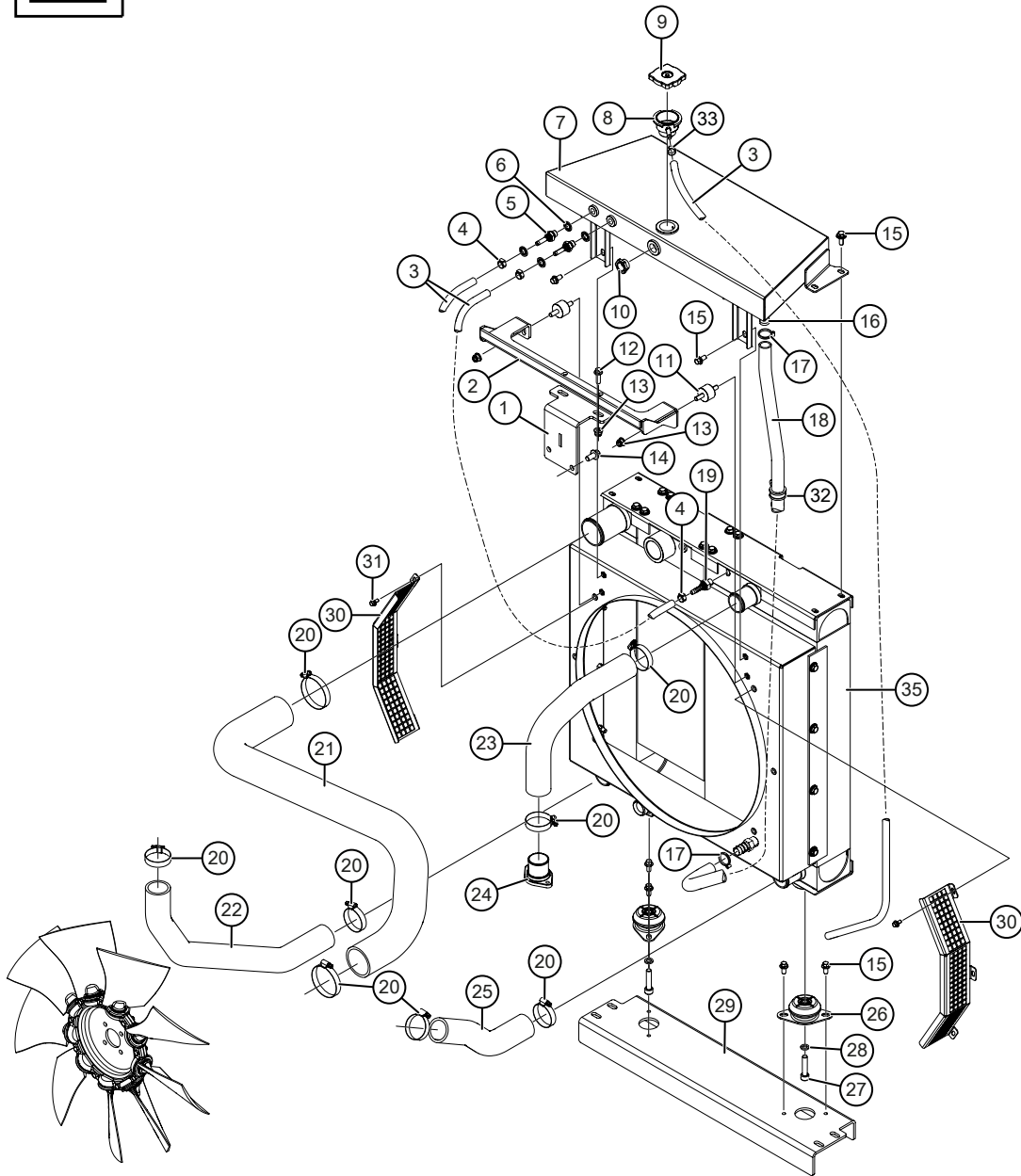


000358

Cooling system

Pos	Art.	Qty.	Description	Remarks
			Cooling system	Valid up to machine T23-016
1	TE-702135	1 pc	Bracket	
2	TE-702136	1 pc	Rod	
3	KT-240502	LM	Fuel hose	8.0x3.0 mm
4	KT-185406	3 pcs	Hose clamp	13 mm
5	KT-50740812	2 pcs	Connection	G1/2" UF-3/4"
6	KT-56010108	2 pcs	Rubber steel washer	R 1/2"
7	TE-702143	1 pc	Expansion tank	
8	KT-791245	1 pc	Radiator cap neck	
9	KT-791244	1 pc	Radiator cap	
10	KT-50991141	1 pc	Sight glass	1/2"
11	KT-765003	2 pcs	Vibration damper	Upper. Use Loctite 270
12	09-265604	2 pcs	Flange screw	M6SF 8x25 8.8 FZB
13	09-265605	2 pcs	Flange lock nut	LM6MF 8 FZB
14	K6077-001	2 pcs	Flange screw	M6SF 10X20 8.8 FZB
15	09-266793	4 pcs	Flange screw	M6SF 8x16 8.8 FZB
16	KT-50740812	1 pc	Hose coupling	G1/2" UF-3/4"
	KT-56010108	1 pc	Rubber steel washer	R 1/2"
17	KT-185104	2 pcs	Hose clamp	15-24 mm
18	KT-790856	1 pc	Water hose elbow	18 mm Eberspächer
19	KT-765001-8	1 pc	Nipple	Ø8 1/4"
20	KT-185111	8 pcs	Hose clamp	50-65 mm
21	KT-765007	1 pc	Hose	Intercooler inlet
22	KT-765006	1 pc	Hose	Turbo intercooler
23	KT-765004	1 pc	Cooler hose	Upper
24	KT-765044	1 pc	Thermostat	
25	KT-765005	1 pc	Cooler hose	Lower
26	KT-765011	2 pcs	Vibration damper	Lower
27	KT-765001	1 pc	Combined cooler	Water/oil/intercooler
-	KT-765001-1	1 pc	Cooling element	Intercooler
-	KT-765001-2	1 pc	Cooling element	Oil
-	KT-765001-3	1 pc	Cooling element	Water
-	KT-765001-4	1 pc	Fan housing	
-	KT-765001-5	1 pc	Mounting plate	Upper
-	KT-765001-6	1 pc	Mounting plate	Lower
-	KT-765001-7	1 pc	Drain plug	M14x1.5

Cooling system

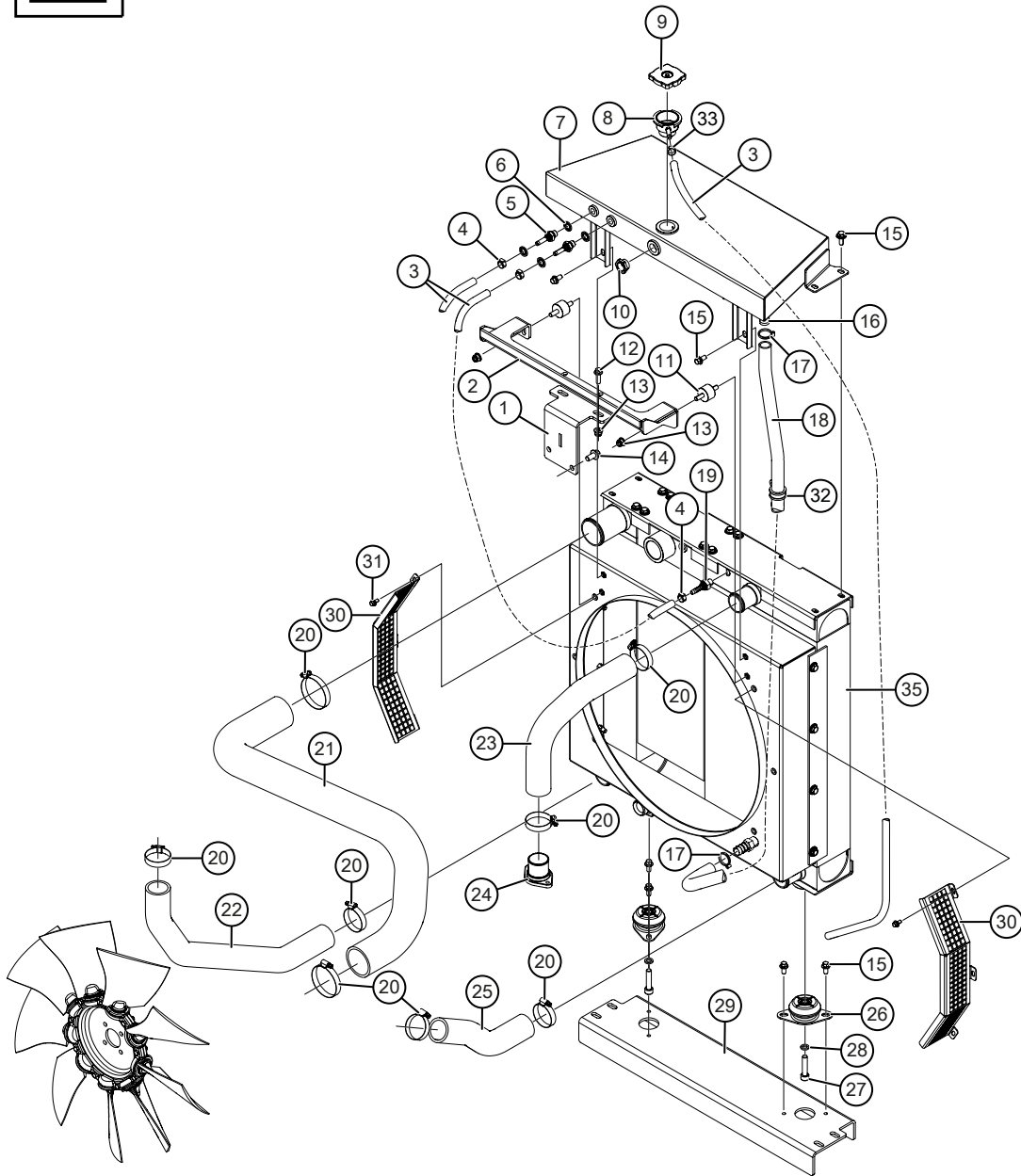
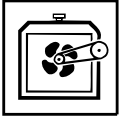


000549

Cooling system

Pos	Art.	Qty.	Description	Remarks
			Cooling system	Valid from machine T23-017
1	TE-702135	1 pc	Bracket	
2	TE-702528	1 pc	Rod	
3	KT-240502	LM	Air bleed hose	8.0x3.0 mm
4	KT-185406	3 pcs	Hose clamp	13 mm
5	KT-42020405	2 pcs	Connection	G1/4" UF-5/16"
6	KT-56010104	2 pcs	Rubber steel washer	R 1/4"
7	TE-702143	1 pc	Expansion tank	
8	KT-791245	1 pc	Radiator cap neck	
9	KT-791244	1 pc	Radiator cap	
10	KT-50991141	1 pc	Sight glass	1/2"
11	KT-765003	2 pcs	Vibration damper	Upper. Use Loctite 270
12	09-265604	2 pcs	Flange screw	M6SF 8x25 8.8 FZB
13	09-265605	4 pcs	Flange lock nut	LM6MF 8 FZB
14	K6077-001	2 pcs	Flange screw	M6SF 10X20 8.8 FZB
15	09-266793	10 pcs	Flange screw	M6SF 8x16 8.8 FZB
16	KT-50740812	1 pc	Hose coupling	G1/2" UF-3/4"
	KT-56010108	1 pc	Rubber steel washer	R 1/2"
17	KT-185104	2 pcs	Hose clamp	15-24 mm
18	KT-790856	1 pc	Water hose elbow	18 mm Eberspächer
19	KT-765001-8	1 pc	Nipple	Ø8 1/4"
20	KT-185111	8 pcs	Hose clamp	50-65 mm
21	KT-765007	1 pc	Hose	Intercooler inlet
22	KT-765006	1 pc	Hose	Turbo intercooler
23	KT-765004	1 pc	Cooler hose	Upper
24	KT-765044	1 pc	Thermostat	
25	KT-765005	1 pc	Cooler hose	Lower
26	KT-765011	2 pcs	Vibration damper	Lower
27	K6067-24	2 pcs	Hex screw	MC6S 10x45 8.8 FZB
28	K6163-003	2 pcs	Locking washer	M10 Nordlock
29	TE-702131	1 pc	Radiator support	
30	TE-703275	2 pcs	Guard fan wheel	
31	09-267710	6 pcs	Flange screw	M6SF 6x12 8.8 FZB
32	KT-176425	1 pc	Rubber clamp	25 mm
33	KT55603157	1 pc	Hose clamp	15.7/13.2
34	KT-765001	1 pc	Combined cooler	Water/oil/intercooler

Cooling system

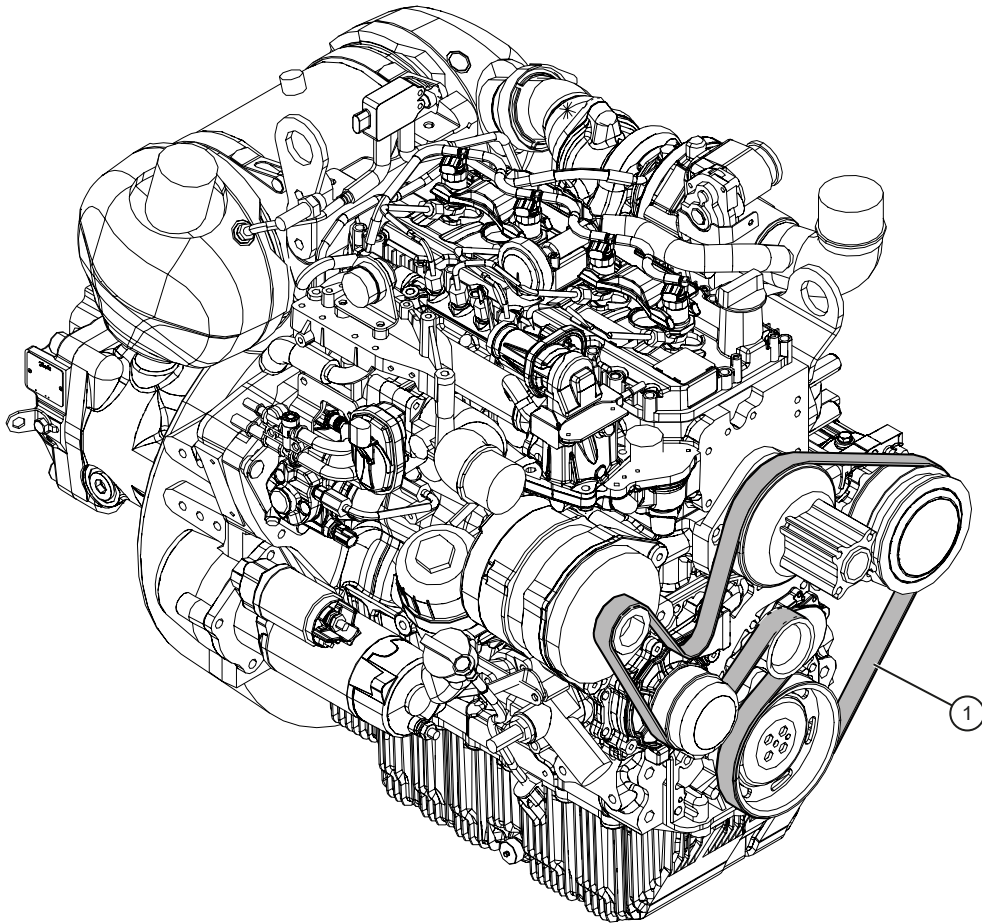


000549

Cooling system

Pos	Art.	Qty.	Description	Remarks
-	KT-765001-1	1 pc	Cooling element	Intercooler
-	KT-765001-2	1 pc	Cooling element	Oil
-	KT-765001-3	1 pc	Cooling element	Water
-	KT-765001-4	1 pc	Fan housing	
-	KT-765001-5	1 pc	Mounting plate	Upper
-	KT-765001-6	1 pc	Mounting plate	Lower
-	KT-765001-7	1 pc	Drain plug	M14x1.5

Drive belts

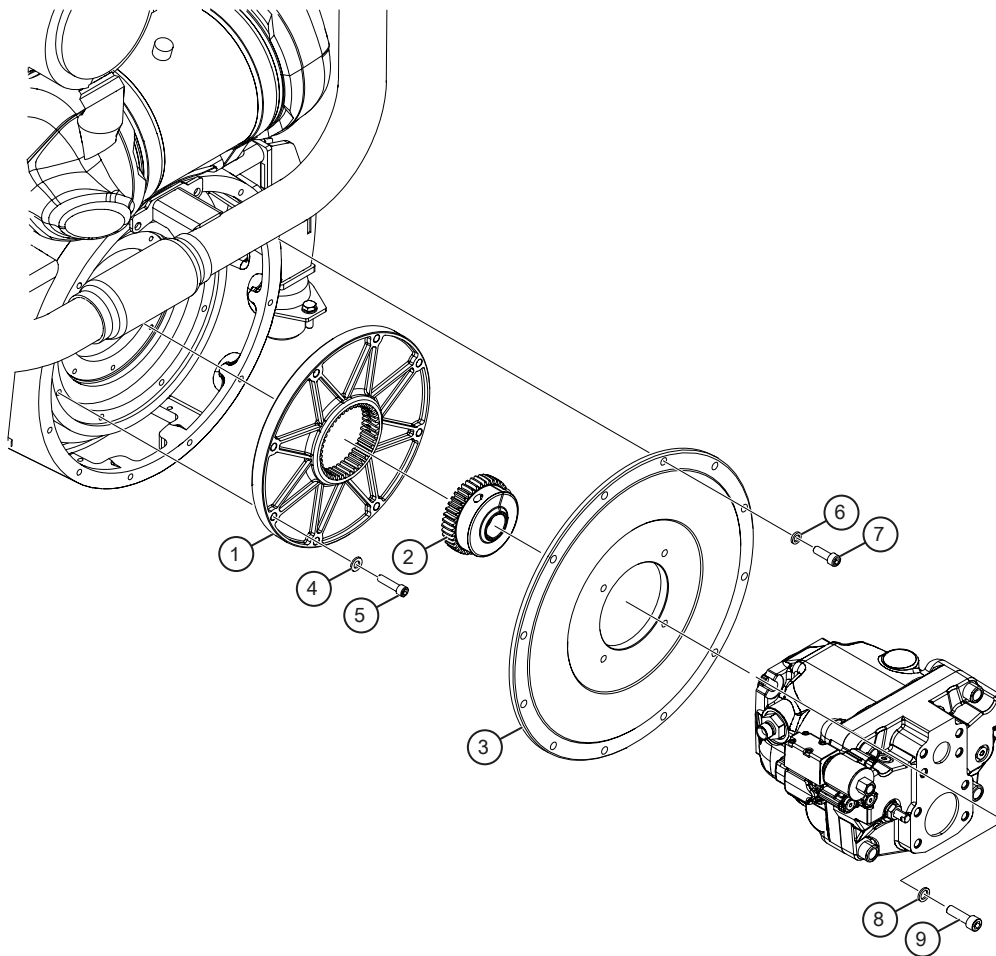


000359

Drive belts

Pos	Art.	Qty.	Description	Remarks
1	KT-765045	1 pc	Fan belt	

Pump connector

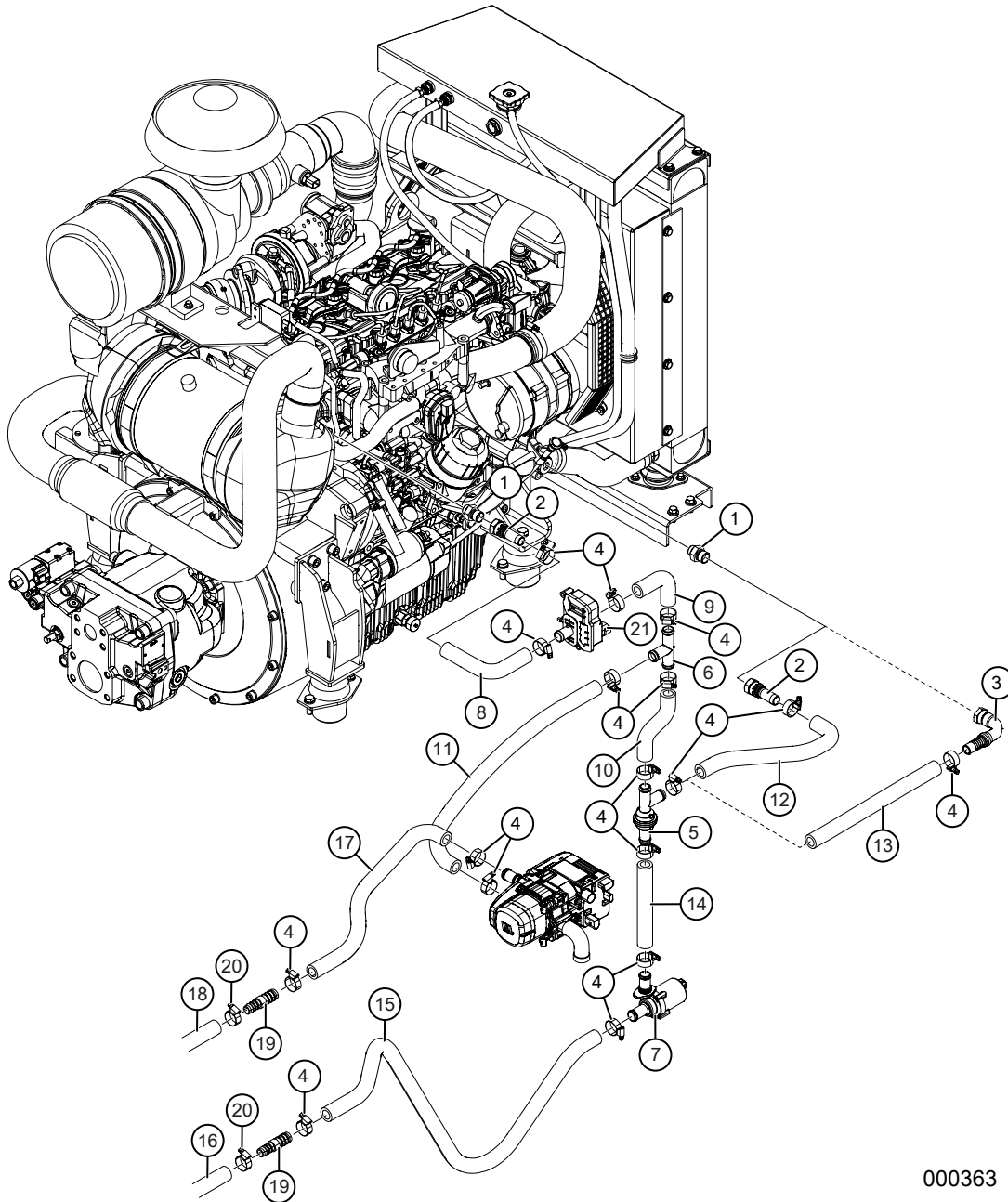


000356

Pump connector

Pos	Art.	Qty.	Description	Remarks
1	KT-765018	1 pc	Flange coupling	
2	KT-795027	1 pc	Hub	
3	KT-795028	1 pc	Pump bracket	
4	K-6152	8 pcs	Flat washer	BRB M10 FZB
5	KT-8001	8 pcs	Screw	UC6S 3/8 UNF X 38 Untr. 12.9. Use Loctite 270
6	K6163-003	12 pcs	Nordlock washer	M10
7	KT-6067-262	12 pcs	Hex screw	MC6S 10X30 12.9
8	KT-267172	4 pcs	Nordlock washer	M12
9	KT-8000	4 pcs	Screw	M6SH 12X40 12.9 UNTR. DIN 933

Heating system (with Eberspächer)

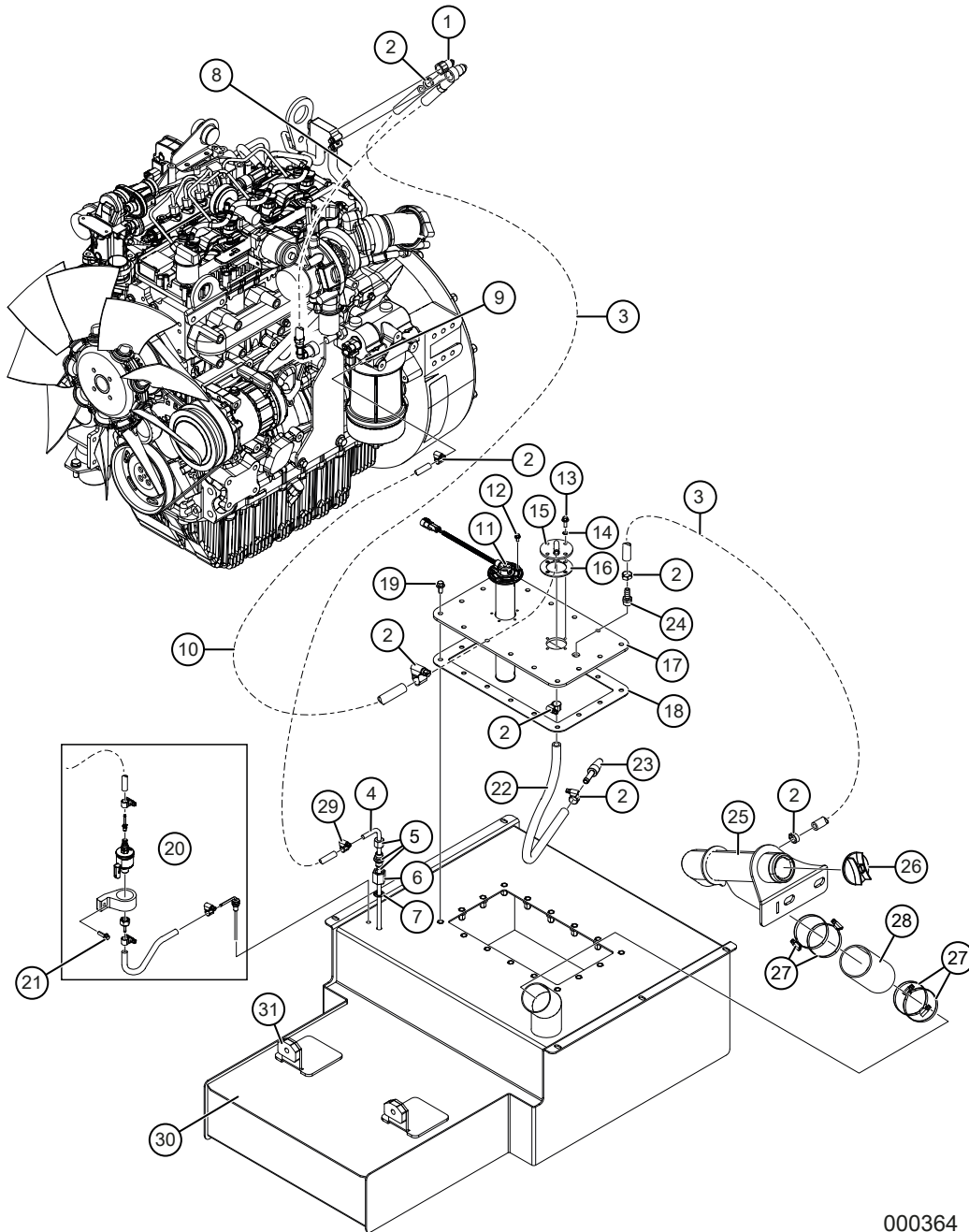


000363

Heating system (with Eberspächer)

Pos	Art.	Qty.	Description	Remarks
1	KT-185105	2 pcs	Adapter	1/2"-3/4" U-U
	KT-56010108	2 pcs	Rubber steel washer	R 1/2"
2	KT-58600812	1 pc/2 pcs	Hose coupling	G 1/2"-IF 3/4"
3	KT-42030812	1 pc	Hose coupling	G 1/2"IF 3/4". Used with hose KT-703578 (item 13).
4	KT-185105	16 pcs	Hose clamp	19-28 mm
5	TE-702921	1 pc	Check valve with restrictor	
6	KT-791241	1 pc	T-pipe	3x20 mm
7	KT-240035	1 pc	Water pump	Eberspächer
	TE-700730	1 pc	Bracket auxiliary pump	
8	KT-703574	1 pc	Hose	Engine out - Water valve. Replaces hose KT-765042-1
9	KT-703575	1 pc	Hose	Water vent T-pipe w/check valve. Replaces hose KT-765042-2
10	KT-703576	1 pc	Hose	T-pipe w/check valve - T-pipe. Replaces hose KT-765042-3
11	KT-703577	1 pc	Hose	T-pipe w/check valve - Heater. Replaces hose KT-765042-4
12	KT-765042-5	1 pc	Hose	T-pipe - Engine In. Older spec. Replaced by hose KT-703578
13	KT-703578	1 pc	Hose	T-pipe - Engine In. New spec. Replaces hose KT-765042-5
14	KT-703579	1 pc	Hose	T-pipe - Water pump elec. Replaces hose KT-765042-6
15	KT-703580	1 pc	Hose	Water pump electrical - joint under cab. Replaces hose KT-765042-7
16	KT-790680	LM	Hose	16 mm. Joint under cab - heater core
17	KT-703582	1 pc	Hose	Heater - joint under cab. Replaces hose KT-765042-9
18	KT-790680	LM	Water hose	16 mm. Heater core - joint under cab
19	KT-7002006	2 pcs	Pipe connector	D 16-19 mm, L=60
20	KT-185104	2 pcs	Hose clamp	15-24 mm
21		1 pc	Water valve, stepless	See <i>Air conditioner ECC kit</i> , page 171

Fuel system

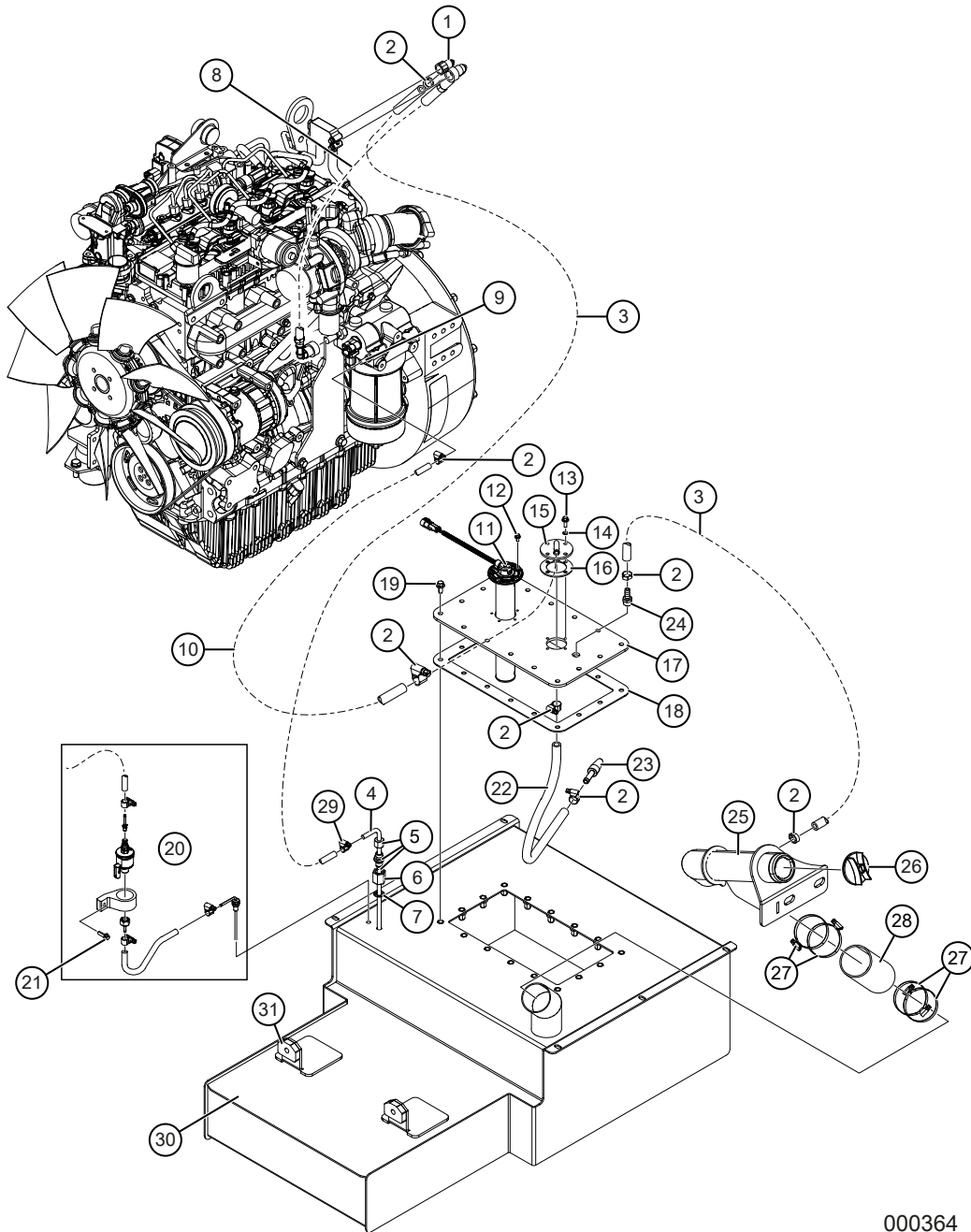


000364

Fuel system

Pos	Art.	Qty.	Description	Remarks
				Up to machine T24-007
1	KT-765037	1 pc	Fuel nipple	90°, ext
2	KT-55603185		Hose clamp	Ø18.5/15.3
3	KT-240210	LM	Fuel hose	10x3.5 mm, L=1000 mm
4	TE-700183	1 pc	Suction pipe fuel	
5	TE-700147-1	1 pc	Ferrule coupling	
6	KT-70110404	1 pc	Adapter	R 1/4"-1/4" I-I
7	KT-56010104	1 pc	Rubber steel washer	R 1/4"
8	TE-703623	1 pc	Fuel hose	L=1450 mm, complete
	KT-765038	2 pcs	Fuel nipple	90°, in. Included in TE-703623
	KT-185102	2 pcs	Hose clamp	11-17 mm. Included in TE-703623
9	KT-58301608	1 pc	Hose coupling	M16x1.5
10	KT-240502	LM	Fuel hose	8.0x3.0 mm
11	KT-791105	1 pc	Fuel level sensor	
	KT-791119	1 pc	Connector plug	
12	09-265731	5 pcs	Flange screw	M6SF 5x10 8.8 FZB
13	09-267257	4 pcs	Flange screw	M6SF 6X16 8.8 FZB
14	KT-56010206	4 pcs	Rubber steel washer	M6
15	TE-702176	1 pc	Fuel connection	
16	KT-702283	1 pc	Gasket	Fuel connection
17	TE-702223	1 pc	Hatch	
18	KT-702280	1 pc	Gasket fuel tank	Use Loctite 3020
19	09-266793	16 pcs	Flange screw	M6SF 8x16 8.8 FZB
20	KT-240036	1 pc	Fuel pump Eberspächer	
*	KT-240036-1		Mounting elements	Eberspächer fuel pump
21	09-266034	1 pc	Flange screw	M6SFT 6x20 8.8 FZB
22	KT-240210	LM	Fuel hose	10x3.5 mm, L=500 mm
23	KT-703138	1 pc	Weight fuel tank	Replaces KT-58600606 and KT-791278
24	KT-50740606	1 pc	Hose coupling	G3/8" ext. Use Loctite 542
25	TE-702168	1 pc	Fuel filler neck	
26	KT-791533	1 pc	Fuel filler cap	Replaces KT-1021813
	TE-702601-1	1 pc	Cover plate rear hood left	Required for tank cap KT-791533
27	KT-185112	4 pcs	Hose clamp	58-75 mm
28	KT-14350032	LM	Tanker hose	2"
29	KT-55603170	1 pc	Hose clamp	17/14.5
30	TE-702117	1 pc	Fuel tank	

Fuel system

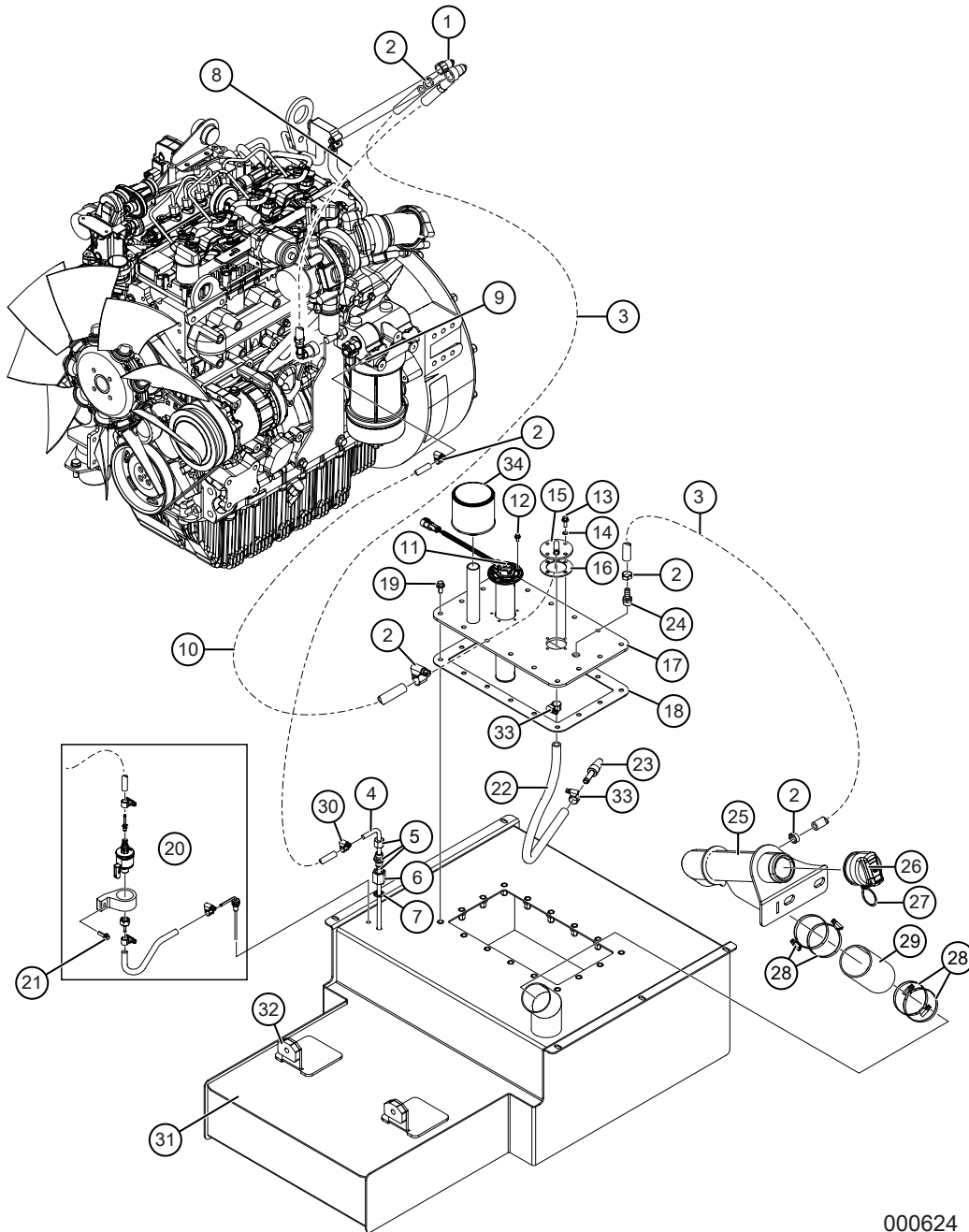


000364

Fuel system

Pos	Art.	Qty.	Description	Remarks
31	TE-702697	2 pcs	Spacer	T=12 mm

Fuel system

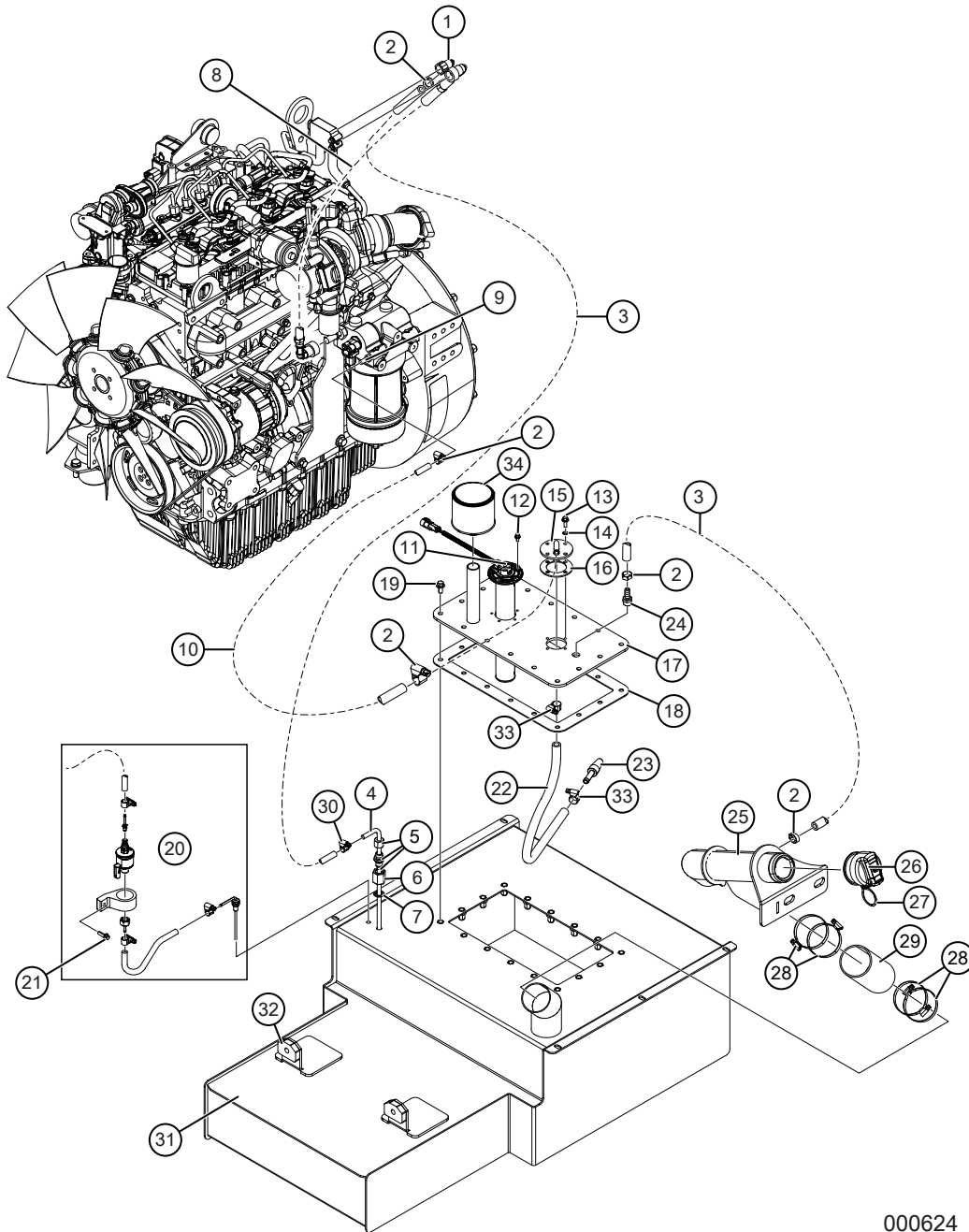


000624

Fuel system

Pos	Art.	Qty.	Description	Remarks
				From machine T24-008
1	KT-765037	1 pc	Fuel nipple	90°, ext
2	KT-55603185	2 pcs	Hose clamp	Ø18.5/15.3
3	KT-240210	LM	Fuel hose	10x3.5 mm, L=1000 mm
4	TE-700183	1 pc	Suction pipe fuel	
5	TE-700147-1	1 pc	Ferrule coupling	
6	KT-70110404	1 pc	Adapter	R 1/4"-1/4" I-I
7	KT-56010104	1 pc	Rubber steel washer	R 1/4"
8	TE-703623	1 pc	Fuel hose	L=1450 mm, complete
	KT-765038	2 pcs	Fuel nipple	90°, in. Included in TE-703623
	KT-185102	2 pcs	Hose clamp	11-17 mm. Included in TE-703623
9	KT-58301608	1 pc	Hose coupling	M16x1.5
10	KT-240502	LM	Fuel hose	8.0x3.0 mm
11	KT-791105	1 pc	Fuel level sensor	
	KT-791119	1 pc	Connector plug	
12	09-265731	5 pcs	Flange screw	M6SF 5x10 8.8 FZB
13	09-267257	4 pcs	Flange screw	M6SF 6X16 8.8 FZB
14	KT-56010206	4 pcs	Rubber steel washer	M6
15	TE-702176	1 pc	Fuel connection	
16	KT-702283	1 pc	Gasket	Fuel connection
17	TE-703662	1 pc	Hatch	
18	KT-702280	1 pc	Gasket fuel tank	Use Loctite 3020
19	09-266793	16 pcs	Flange screw	M6SF 8x16 8.8 FZB
20	KT-240036	1 pc	Fuel pump Eberspächer	
*	KT-240036-1		Mounting elements	Eberspächer fuel pump
21	09-266034	1 pc	Flange screw	M6SFT 6x20 8.8 FZB
22	KT-240210	LM	Fuel hose	10x3.5 mm, L=500 mm
23	KT-703138	1 pc	Weight fuel tank	Replaces KT-58600606 and KT-791278
24	KT-50740606	1 pc	Hose coupling	G3/8" ext. Use Loctite 542
25	TE-703661	1 pc	Fuel filler neck	
26	KT-791534	1 pc	Fuel filler cap	Lockable
27	KT-791536	1 pc	Tether cord fuel cap	
28	KT-185112	4 pcs	Hose clamp	Ø58-75 mm
29	KT-14350032	LM	Tanker hose	2"
30	KT-55603170	1 pc	Hose clamp	17/14.5
31	TE-702117	1 pc	Fuel tank	

Fuel system

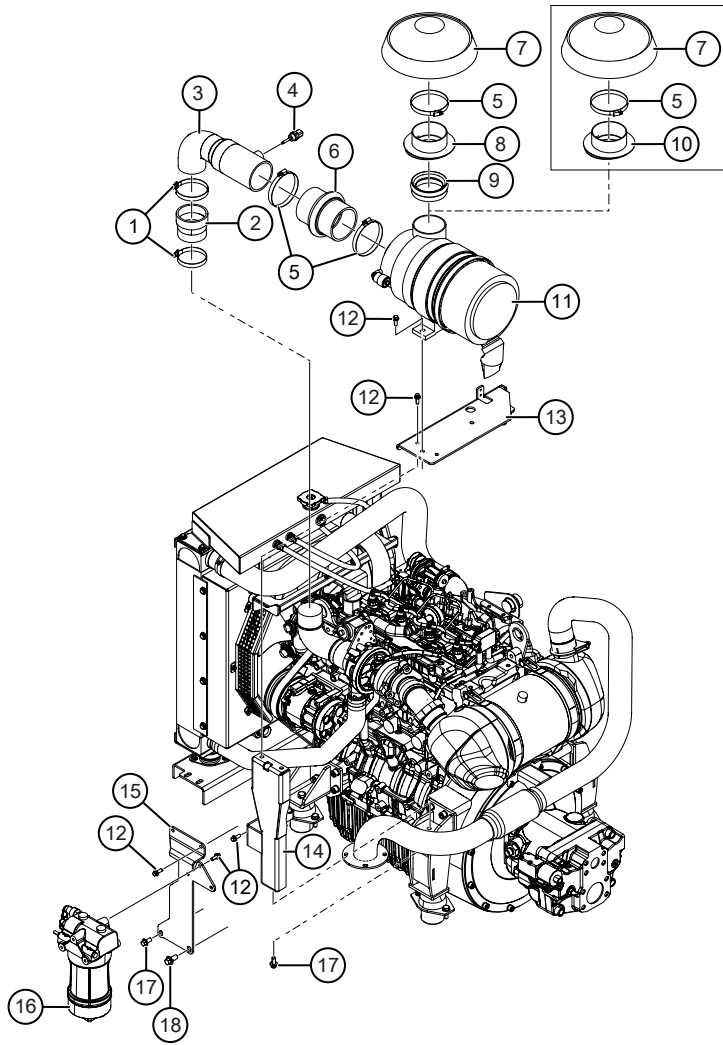


000624

Fuel system

Pos	Art.	Qty.	Description	Remarks
32	TE-702697	2 pcs	Spacer	T=12 mm
33	KT-185104	2 pcs	Hose clamp	Ø15-24 mm
34	KT-791537	1 pc	Breather filter	

Air and fuel filter

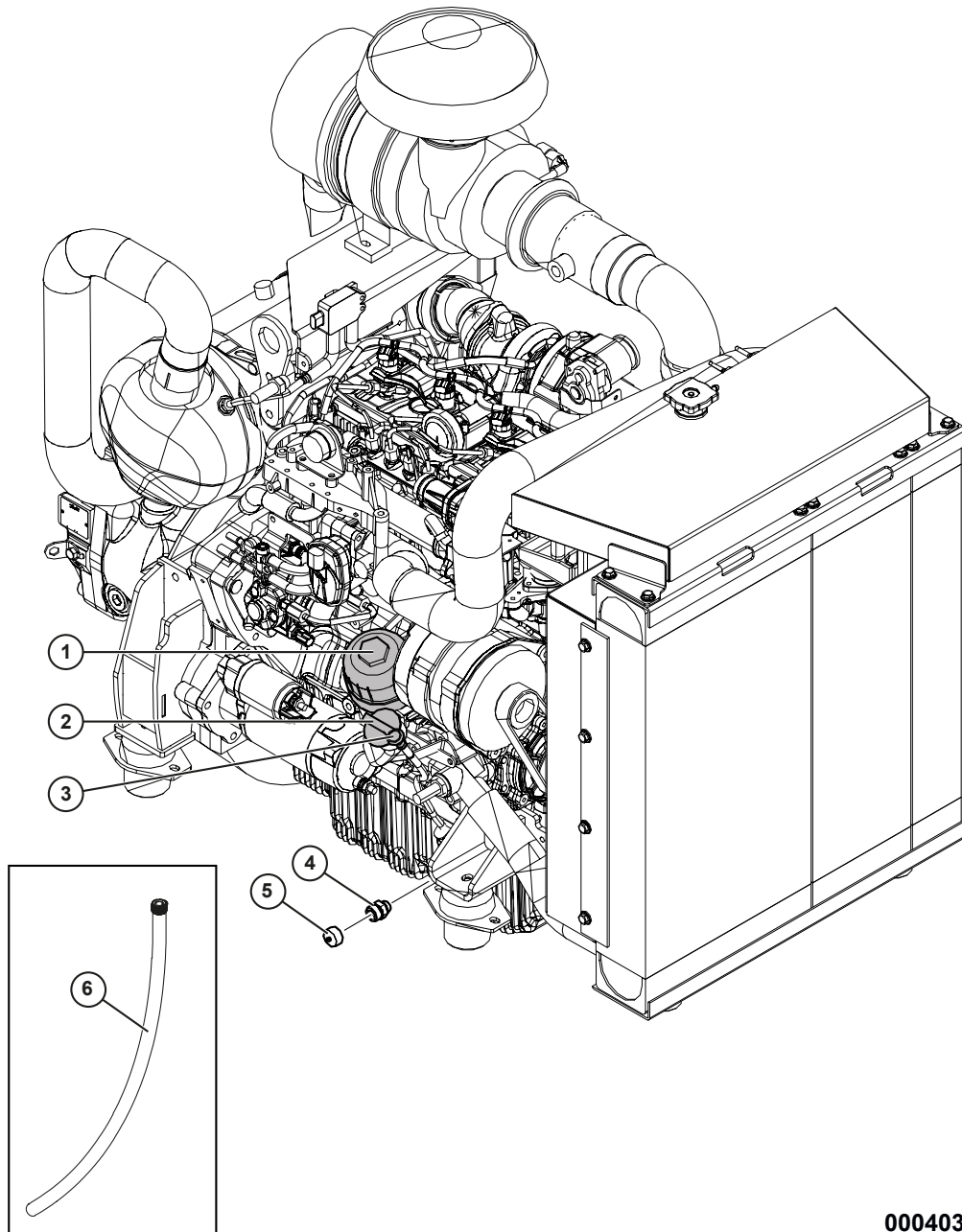


000360

Air and fuel filter

Pos	Art.	Qty.	Description	Remarks
1	KT-185114	2 pcs	ABA clamp 77-95 mm	
2	KT-765009	1 pc	Hose	
3	KT-765008	1 pc	Pipe	
4	KT-765034	1 pc	Temperature sensor	
	KT-765034-1	1 pc	O-ring	
5	KT-185115	3 pcs	Hose clamp	87-112 mm
6	KT-765010	1 pc	Bellows	
7	KT-795024	1 pc	Rain cover	
8	TE-703492	1	Duct intake	From machine T23-033
9	KT-0539	LM	Sealing strip	L=300 mm
10	TE-702224	1 pc	Duct intake	Up to machine T23-032
11	KT-795023	1 pc	Air purifier	Complete
12	09-266036	10 pcs	Flange screw	M6SFT 8x20 8.8 FZB
13	TE-702227	1 pc	Bracket air filter	
14	TE-702187	1 pc	Rod	
15	TE-702190	1 pc	Bracket fuel filter	
16	KT-765046	1 pc	Fuel filter with water separator	Complete
17	K6077-001	2 pcs	Flange screw	M6SF 10X20 8.8 FZB
18	09-266040	1 pc	Flange screw	M6SF 12x25 8.8 FXB

Oil filter and drain



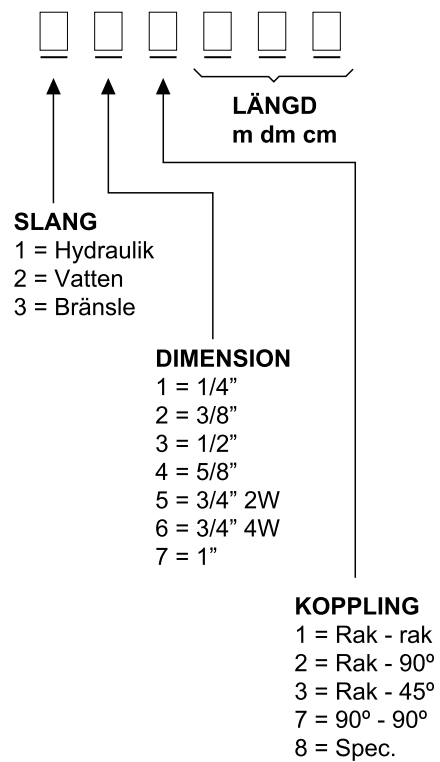
000403

Oil filter and drain

Pos	Art.	Qty.	Description	Remarks
1	KT-765035	1 pc	Engine oil filter	
-	KT-765036	1 pc	Lid	
-	KT-765036-1	1 pc	O-ring	
2	KT-765049	1 pc	Oil filler cap	
3	KT-765047	1 pc	Oil level gauge	
4	KT-765039	1 pc	Adapter	
	KT-765039-1	1 pc	Gasket	
5	KT-59950112	1 pc	Environmental oil plug	3/4"-16 UNF
6	KT-59960126	1 pc	Drain hose	

4 HYDRAULIC SYSTEM

Hose identification

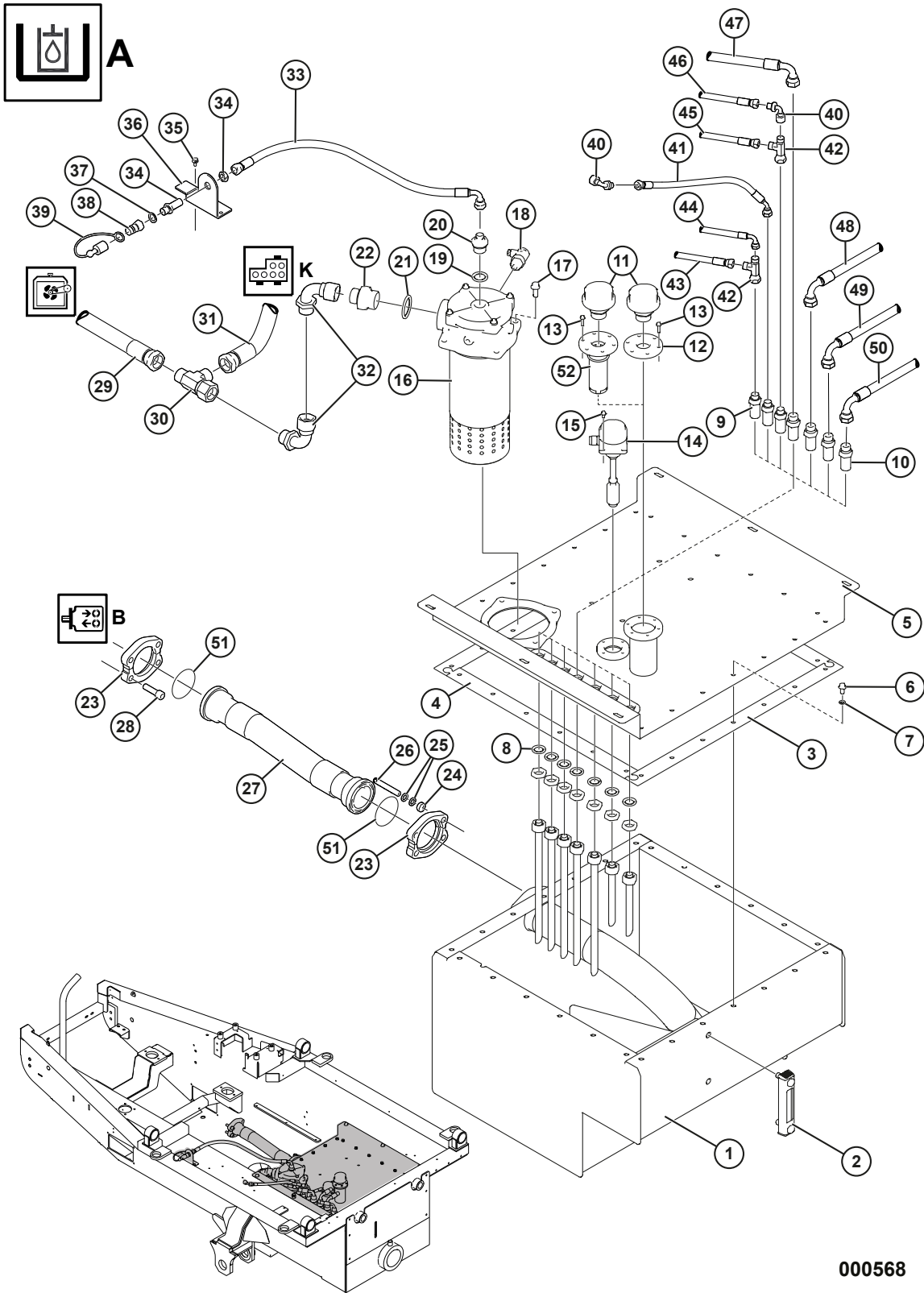


000111

Hose identification

Pos	Art.	Qty.	Description	Remarks
				Use the diagram above to identify the combination of hoses.

Hydraulic tank (A)

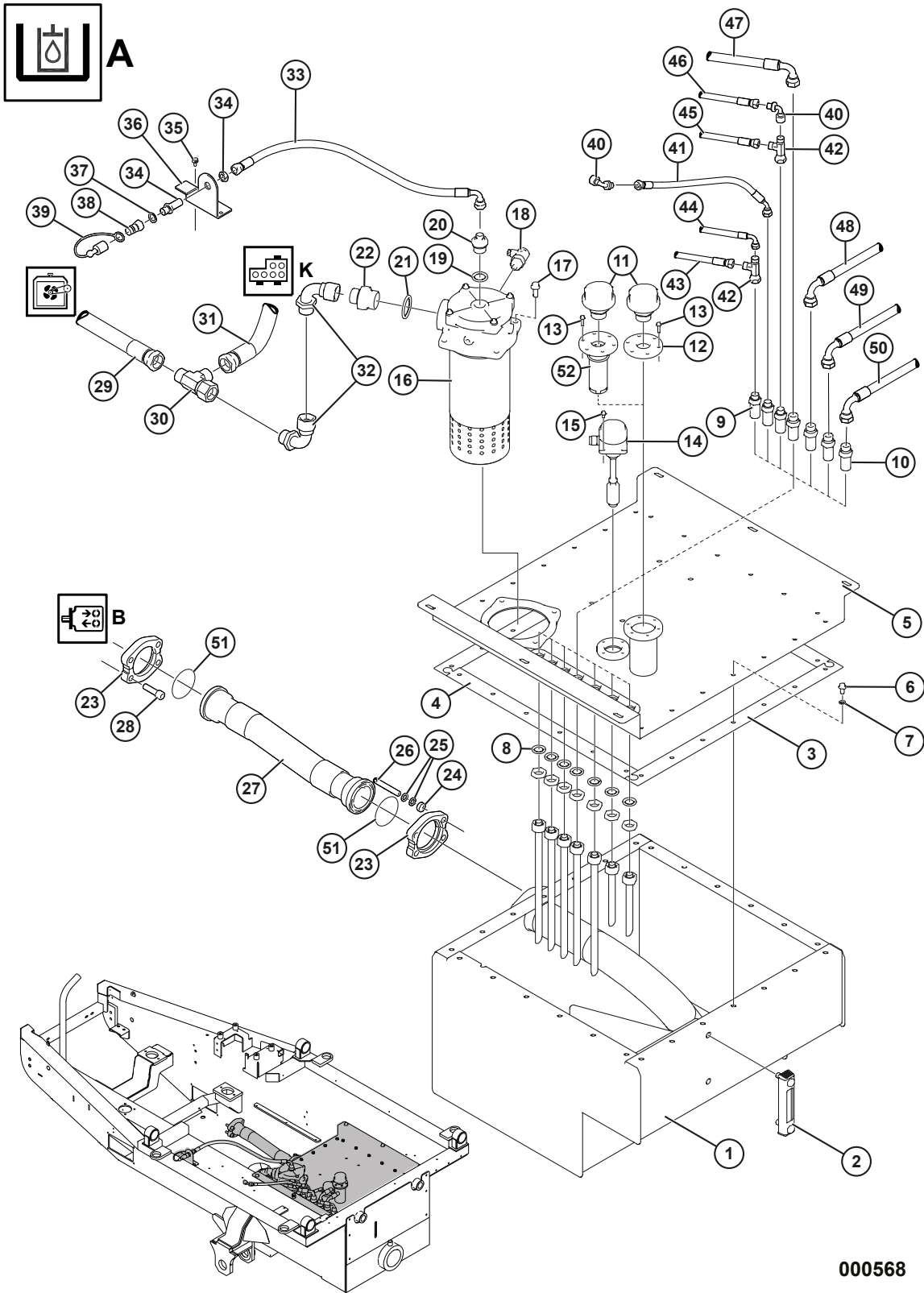


000568

Hydraulic tank (A)

Pos	Art.	Qty.	Description	Remarks
1	TE-702154	1 pc	Hydraulic tank	Up to machine no. T23-019
2	KT-890118	1 pc	Sight glass	
3	KT-702281	2 pcs	Gasket	Tank short side. Use Loctite 3020
4	KT-702282	2 pcs	Gasket	Tank long side. Use Loctite 3020
5	TE-702819	1 pc	Lid	
6	09-266793	26 pcs	Flange screw	M6SF 8x16 8.8 FZB
7	KT-56010208	26 pcs	Rubber steel washer	M8
8	KT-56010222	7 pcs	Rubber steel washer	M22
9	KT-60990073	3 pcs	Bulkhead connector	3/8"-15 L
	KT-61500015	3 pcs	Nut cutting ring	M 15 L
10	KT-60990044	4 pcs	Bulkhead connector	1/2"-15 L
	KT-61500015	4 pcs	Nut cutting ring	M 15 L
11	KT-791305	1 pc	Breather filter	
12	TE-702739	1 pc	Lid	
13	KT-267126	6 pcs	Flange screw	M6SF 5x20 8.8 FZB
14	KT-790976	1 pc	Level switch/temperature sensor	
15	09-265731	4 pcs	Flange screw	M6SF 5x10 8.8 FZB
16	KT-791143	1 pc	Return filter housing	
	KT-791143-2	1 pc	Gasket kit	Return filter housing
	KT-791143-1	1 pc	Lid	
	KT-791143-20	1 pc	O-ring	Lid
	KT-790919	1 pc	Filter insert	
17	09-267440	4 pcs	Flange screw	M6SF 10x25 8.8 FZB
18	KT-790553	1 pc	Indicator	1.2 bar
19	KT-56010112	1 pc	Rubber steel washer	3/8"
20	KT-70020612	1 pc	Rubber steel washer	3/4"
21	KT-56010120	1 pc	Rubber steel washer	1 1/4"
22	KT-70021620	1 pc	Adapter	1"UF-1 1/4"UF
23	KT-55400040	4 pcs	Flange half	SAE 3000 2 1/2"
24	K6131-02	4 pcs	Nut	M6M M12 FZB
25	K6163-000	8 pcs	Nordlock washer	M12
26	KT-267140	4 pcs	Stop screw	P6SS M12x80 45H
27	KT-791185	1 pc	Suction hose	
28	K6080-20	4 pcs	Hex screw	UC6S 1/2"x45" 8.8 FZB
29	TS-172235	1 pc	Hydraulic hose 1 L=2350 mm	1" L=2350 Straight-90°. For cooler
30	KT-74041616	1 pc	T-adapter	1"IR-1"UF-1"UF

Hydraulic tank (A)

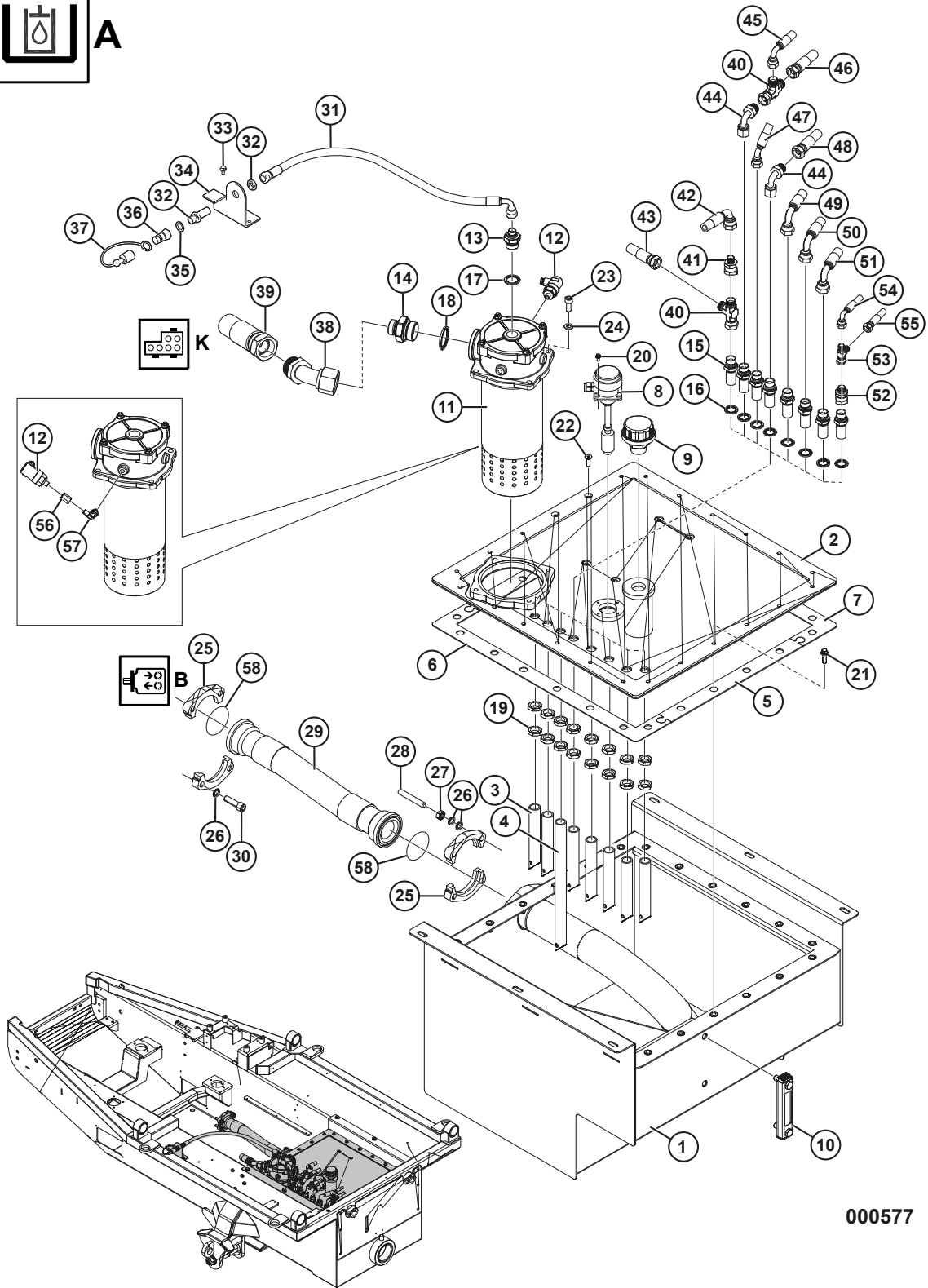


000568

Hydraulic tank (A)

Pos	Art.	Qty.	Description	Remarks
31	TS-158043	1 pc	Hydraulic hose	3/4" L=430 spec. For thermal bypass valve
32	KT-72051616	2 pcs	Angle adapter	1"UF-1"IR 90°
33	TS-122060	1 pc	Hydraulic hose	3/8 L=600 Straight-90°. Filling
34	KT-70900606	1 pc	Bulkhead connector	3/8"UF-3/8"UF
35	09-267446	3 pcs	Flange screw	M6SF 6x12 8.8 FZB
36	TE-702706	1 pc	Bracket	Relocated oil filler
37	KT-56010106	1 pc	Rubber steel washer	3/8"
38	KT-55500206	1 pc	Quick-release coupling	3/8" male
39	KT-55510406	1 pc	Dust guard	3/8"
40	KT-72050404	2 pcs	Angle adapter	1/4"UF-1/4"IR 90°
41	TS-123028	1 pc	Hydraulic hose	3/8" L=280 Straight-45°
42	KT-74040606	2 pcs	T-adapter	3/8"IR-3/8"UF-3/8"UF
43	TS-122049	1 pc	Hydraulic hose	3/8" L=490 Straight-90°
44	TS-118150	1 pc	Hydraulic hose	1/4" L=1500 spec.
45	TS-123058	1 pc	Hydraulic hose	3/8" L=580 Straight-45°
46	TS-128128	1 pc	Hydraulic hose	3/8" L=1280 spec.
47	TS-132050	1 pc	Hydraulic hose	1/2" L=500 Straight-90°
48	TS-132029	1 pc	Hydraulic hose	1/2" L=290 Straight-90°
49	TS-132056	1 pc	Hydraulic hose	1/2" L=560 Straight-90°
50	TS-122050	1 pc	Hydraulic hose	3/8" L=400 Straight-90°
51	KT-56100240	2 pcs	O-ring	ID 69.44 x T 21/3.53
52	TE-703150	1 pc	Oil trap hydraulic tank	Option

Hydraulic tank (A)

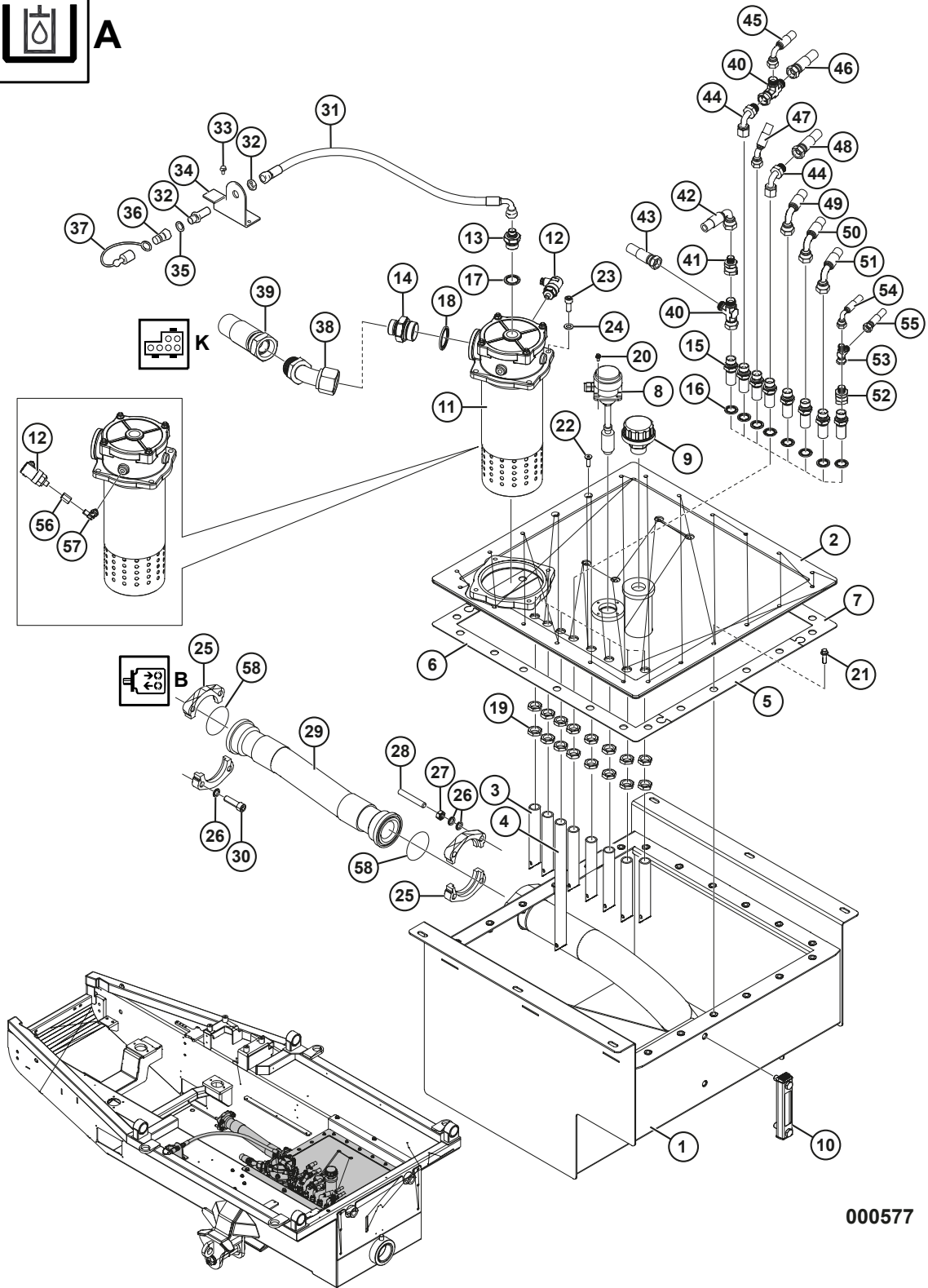


000577

Hydraulic tank (A)

Pos	Art.	Qty.	Description	Remarks
1	TE-702987	1 pc	Hydraulic tank	From machine no. T23-020
2	TE-703011	1 pc	Lid	
3	TE-703195	7 pcs	Return pipe	Short
4	TE-703196	1 pc	Return pipe	Long. Seal with thread seal tape.
5	KT-703457	2 pcs	Gasket	Front/rear. Use Loctite 3020
6	KT-703458	1 pc	Gasket	Left. Use Loctite 3020
7	KT-703459	1 pc	Gasket	Right. Use Loctite 3020
8	KT-790976	1 pc	Level switch/temperature sensor	
9	KT-791305	1 pc	Breather filter	
10	KT-890118	1 pc	Sight glass	
11	KT-791143	1 pc	Return filter housing	
	KT-791143-2	1 pc	Gasket kit	Return filter housing
	KT-791143-1	1 pc	Lid	
	KT-791143-20	1 pc	O-ring	Lid
	KT-790919	1 pc	Filter insert	
12	KT-790553	1 pc	Pressure sensor	1.2 bar
13	KT-70020612	1 pc	Adapter	3/8"UF-3/4"UF
14	KT-70021620	1 pc	Adapter	1"UF-1 1/4"UF
15	KT-70900808	8 pcs	Bulkhead connector	1/2"UF-1/2"UF
16	KT-56010108	8 pcs	Rubber steel washer	1/2"
17	KT-56010112	1 pc	Rubber steel washer	3/4"
18	KT-56010120	1 pc	Rubber steel washer	1 1/4"
19	KT-70900008	8 pcs	Lock nut	1/2"
20	09-265731	4 pcs	Flange screw	M6SF 5x10 8.8 FZB
21	09-265604	22 pcs	Flange screw	M6SF 8x25 8.8 FZB
22	K6085-0016	2 pcs	Countersunk screw	MF6S 8x25 10.9 FZB
23	K6067-26	4 pcs	Hex screw	MC6S 10x25 8.8 FZB
24	K6152	4 pcs	Flat washer	BRB M10 FZB
25	KT-55400040	4 pcs	Flange half	SAE 3000 2 1/2"
26	K6163-000	12 pcs	Nordlock washer	M12
27	K6131-02	4 pcs	Nut	M6M M12 FZB
28	KT-267140	4 pcs	Stop screw	P6SS M12x80 45H
29	KT-791185	1 pc	Suction hose	
30	K6080-20	4 pcs	Hex screw	UC6S 1/2"x45 8.8 FZB
31	TS-122060	1 pc	Hydraulic hose	3/8 L=600 Straight-90°. Filling
32	KT-70900606	1 pc	Bulkhead connector	3/8"UF-3/8"UF

Hydraulic tank (A)

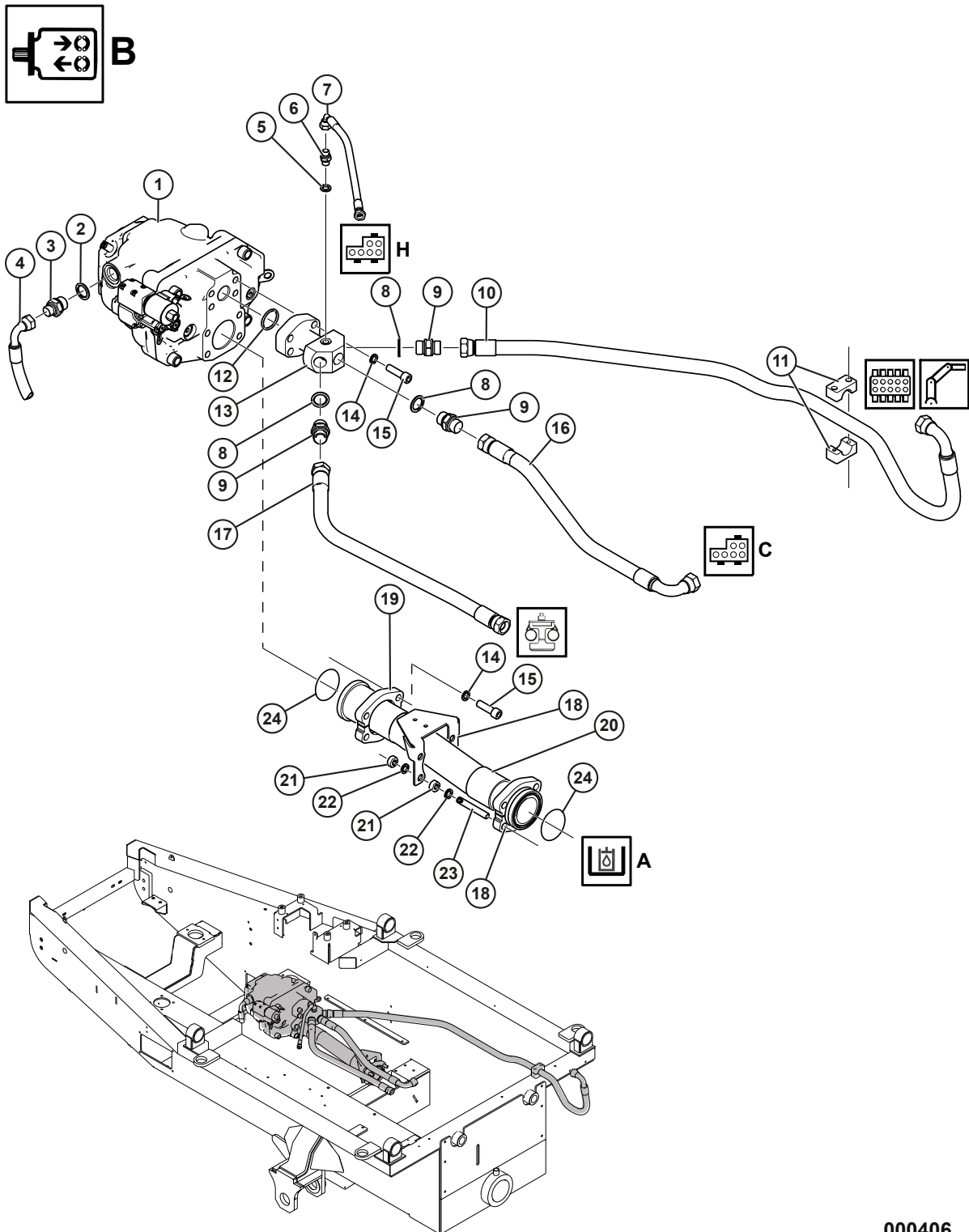


000577

Hydraulic tank (A)

Pos	Art.	Qty.	Description	Remarks
33	09-267446	3 pcs	Flange screw	M6SF 6x12 8.8 FZB
34	TE-702706	1 pc	Bracket	Relocated oil filler
35	KT-56010106	1 pc	Rubber steel washer	3/8"
36	KT-55500206	1 pc	Quick-release coupling	3/8" male
37	KT-55510406	1 pc	Dust guard	3/8"
38	KT-73051616	1 pc	Angle adapter	1"UF-1"IR 45°
39	TS-172070	1 pc	Hydraulic hose	1" L=700 Straight-90°
40	KT-74040808	2 pcs	T-adapter	1/2"IR-1/2"UF 1/2"UF-
41	KT-70080608	1 pc	Adapter	1/2"IR-3/8"UF
42	TS-118115	1 pc	Hydraulic hose	1/4" L=1150 spec.
43	TS-132049	1 pc	Hydraulic hose	1/2" L=490 Straight-90°
44	KT-72050808	2 pcs	Angle adapter	1/2" 90°
45	TS-128600	1 pc	Hydraulic hose	3/8" L=6000 spec.
46	TS-132140	1 pc	Hydraulic hose	1/2" L=1400 Straight-90°
47	TS-123028	1 pc	Hydraulic hose	3/8" L=280 Straight-45°
48	TS-133060-2	1 pc	Hydraulic hose	1/2" L=600 Straight-45°
49	TS-132040	1 pc	Hydraulic hose	1/2" L=400 Straight-90°
50	TS-132066	1 pc	Hydraulic hose	1/2" L=660 Straight-90°
51	TS-128050-2	1 pc	Hydraulic hose	1/2" Spec.
52	KT-70080408	1 pc	Adapter	1/4"UF-1/2"IR
53	KT-740404041	1 pc	T-adapter	1/4"IR-1/4"UF-1/4"UF
54	TS-112100	1 pc	Hydraulic hose	1/4" L=1000 Straight-90°
55	TS-112030	1 pc	Hydraulic hose	1/4" L=300 Straight-90°
56	KT-70110202	1 pc	Adapter	1/8"IF-1/8"IF - Seal with Loctite 542. From machine T24-002.
57	KT-72040202	1 pc	Adjustable angle adapter	1/8"UF-1/8"UF STB. From machine T24-002.
58	KT-56100240	2 pcs	O-ring	ID 69.44 x T 21/3.53

Hydraulic pump (B)

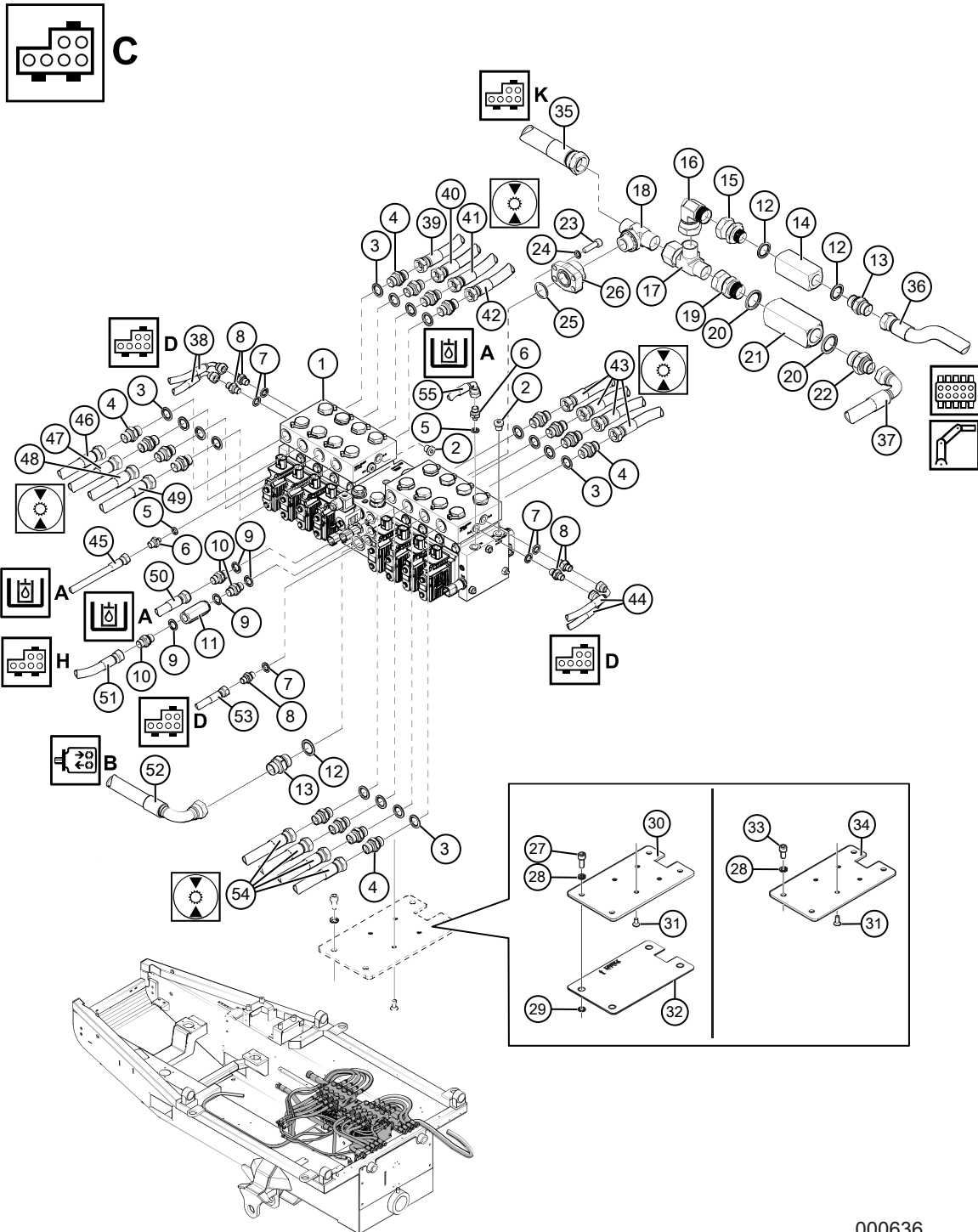


000406

Hydraulic pump (B)

Pos	Art.	Qty.	Description	Remarks
1	KT-791320	1 pc	Pump drive	130cc 24V
-	KT-791320-1		Displacement screw	
2	KT-56010112	1 pc	Rubber steel washer	3/4"
3	KT-70020812	1 pc	Adapter	1/2"U-3/4"UF
4	TS-128128	1 pc	Hydraulic hose	3/8" L=1280 Straight-90°
5	KT-56010104	1 pc	Rubber steel washer	1/4"
6	KT-70020404	1 pc	Adapter	1/4"UF-1/4"UF
7	TS-122028	1 pc	Hydraulic hose	3/8 L=280 Straight-90°
8	KT-56010112	3 pcs	Rubber steel washer	3/4"
9	KT-70021212	3 pcs	Adapter	3/4"UF-3/4"UF
10	TS-162180	1 pc	Hydraulic hose	3/4 L=1800 Straight-90°
11	KT-53900528	2 pcs	Clamp	Simple
12	KT-56100220	1 pc	O-ring	For SAE Flange 1 1/4"
13	KT-703134	1 pc	Distributor block	Replaces KT-701800
14	K6163-000	8 pcs	Nordlock washer	M12
15	K6080-20	8 pcs	Hex screw	U6CS 1/2"x45 8.8 FZB
16	TS-162051	1 pc	Hydraulic hose	3/4 L=510 Straight-90°
17	TS-161075	1 pc	Hydraulic hose	3/4 L=800 Straight-Straight
18	KT-55400040	4 pcs	Flange half	SAE 3000 2 1/2"
19	TE-702737	1 pc	Mounting bracket distributor block	
20	KT-791185	1 pc	Suction hose	
21	K6131-02	8 pcs	Nut	M6M 12 FZB
22	K6163-000	8 pcs	Nordlock washer	M12
23	KT-267140	4 pcs	Stop screw	P6SS M12x80 45H
24	KT-56100240	2 pcs	O-ring	ID 69.44 x T 21/3.53

Drive valve (C)

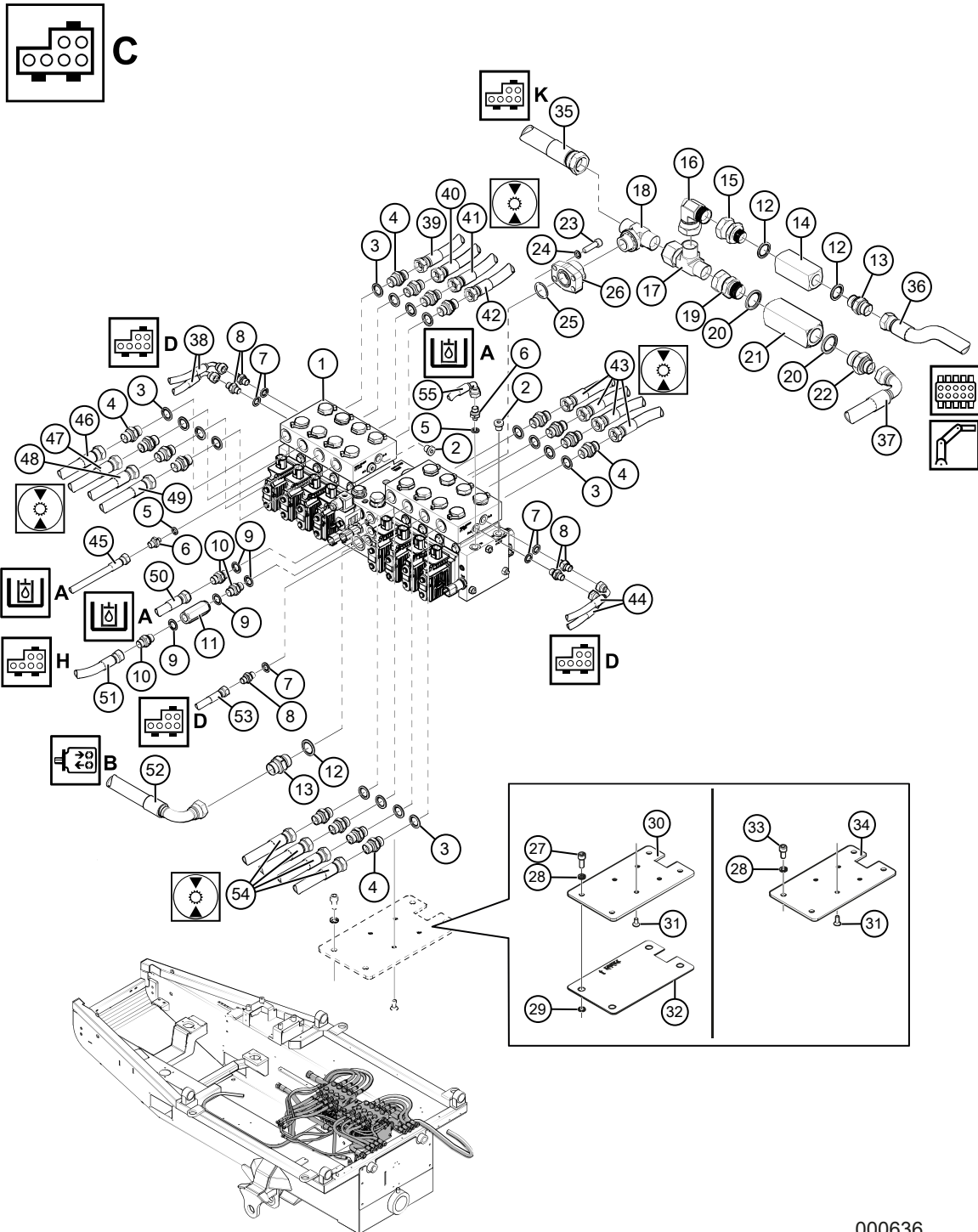


000636

Drive valve (C)

Pos	Art.	Qty.	Description	Remarks
1	KT-791219	1 pc	Drive valve	8WD. Up to machine T23-019. Not T23-016.
	KT-791625	1 pc	Solenoid valve	
	KT-791606	1 pc	Solenoid coil	24VDC
	KT-791453	16 pcs	Power module	Not CAN
1	KT-791433	1 pc	Drive valve	8WD CAN controlled. From Machine T23-020. Also T23-016.
	KT-791625	1 pc	Solenoid valve	
	KT-791606	1 pc	Solenoid coil	24VDC
	KT-240046	16 pcs	Power module	CAN
2	KT-75030004	5 pcs	Hexagonal plug	1/4"
3	KT-56010108	16 pcs	Rubber steel washer	1/2"
4	KT-70020808	16 pcs	Adapter	1/2"UF-1/2"UF
5	KT-56010102	2 pcs	Rubber steel washer	1/8"
6	KT-70020204	2 pcs	Adapter	1/8"UF-1/4"UF
7	KT-56010104	5 pcs	Rubber steel washer	1/4"
8	KT-70020404	5 pcs	Adapter	1/4"UF-1/4"UF
9	KT-56010106	4 pcs	Rubber steel washer	3/8"
10	KT-70020606	3 pcs	Adapter	3/8"UF-3/8"UF
11	KT-790653	1 pc	Non-return valve	3/8", 0.5 bar
12	KT-56010112	3 pcs	Rubber steel washer	3/4"
13	KT-70021212	2 pcs	Adapter	3/4"UF-3/4"UF
14	KT-790913	1 pc	Non-return valve	3/4", 4.5 bar
15	KT-70081216	1 pc	Adapter	3/4"UF-1"IR
16	KT-72031616	1 pc	Angle adapter	1"UF-1"IR 90°
17	KT-74041616	1 pc	T-adapter	1"IR-1"UF-1"UF
18	KT-74131616	1 pc	Adjustable T-adapter	1"UF-1"UF-1"UF STB
19	KT-70081616	1 pc	Adapter	1"UF-1"IR
20	KT-56010116	2 pcs	Rubber steel washer	1"
21	KT-790962	1 pc	Non-return valve	1", 0.35 bar
22	KT-70021216	1 pc	Adapter	3/4"UF-1"UF
23	K6067-20	4 pcs	Hex screw	MC6S 10x35 FZB
24	K6163-003	4 pcs	Locking washer	Nordlock M10
25	KT-56100216	1 pc	O-ring	For SAE flange 1"
26	KT-55410016	1 pc	Threaded flange	1" SAE
27	K6067-26	4 pcs	Hex screw	MC6S 10x25 8.8 FZB
28	K6163-003	4 pcs	Locking washer	Nordlock M10
29	KT-791388	4 pcs	O-ring	11.0x2.5

Drive valve (C)

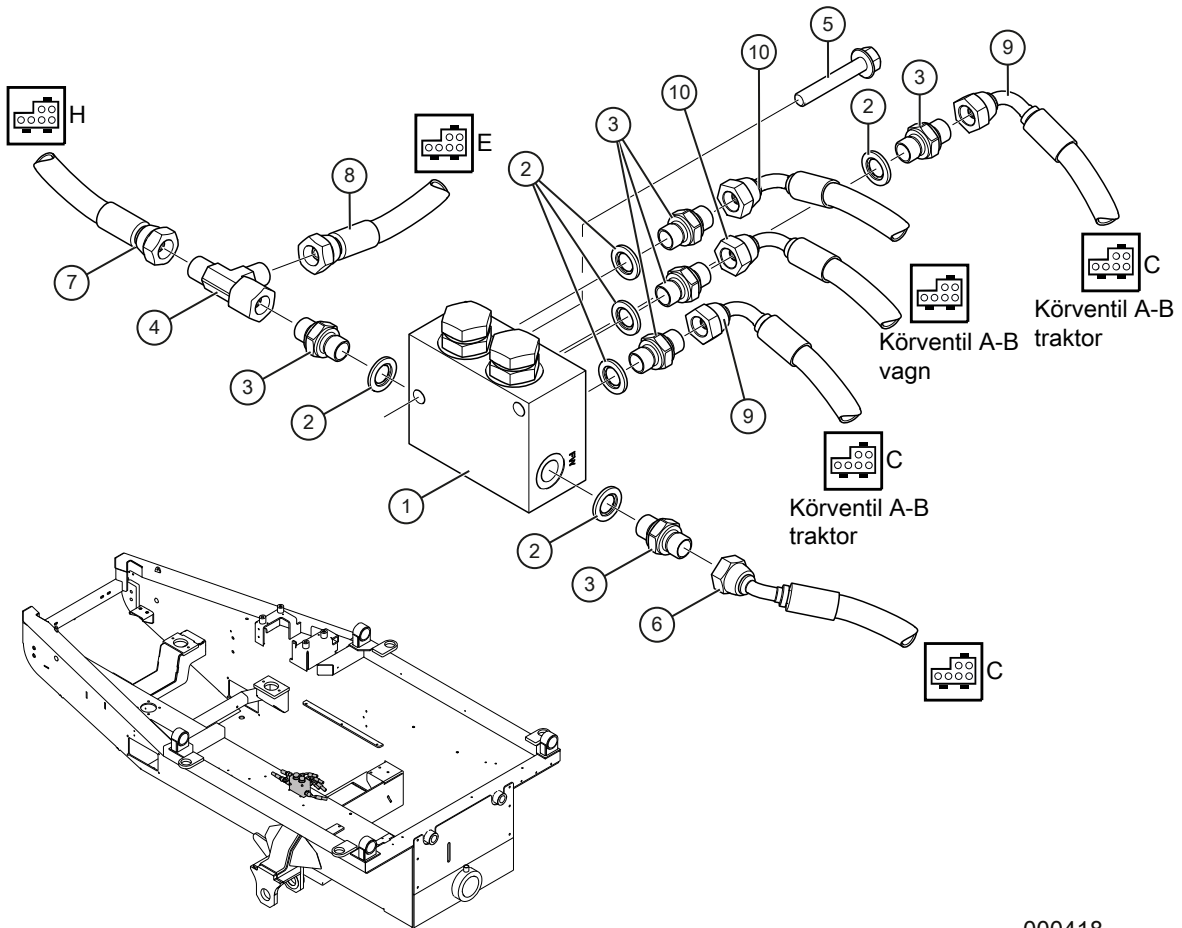
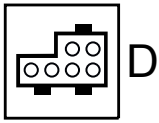


000636

Drive valve (C)

Pos	Art.	Qty.	Description	Remarks
30	TE-702165	1 pc	Mounting plate drive valve	For hydraulic tank TE-702154. Up to machine no. T23-019.
31	K6085-062	4 pcs	Countersunk screw	MF6S 8x16 10.9 FZB
32	TE-703145	1 pc	Plate	For hydraulic tank TE-702154. Up to machine no. T23-019.
33	K6067-18	4 pcs	Hex screw	MC6S 10x20 FZB
34	TE-703160	1 pc	Mounting plate drive valve	For hydraulic tank TE-702987. From machine no. T23-020.
35	TS-171045	1 pc	Hydraulic hose	1" L=450 Straight-Straight
36	TS-151095	1 pc	Hydraulic hose	3/4" L=950 Straight-Straight
37	TS-152065	1 pc	Hydraulic hose	3/4" L=650 Straight-90°
38	TS-112060	2 pcs	Hydraulic hose	1/4" L=600 Straight-90°
39	TS-132250	1 pc	Hydraulic hose	1/2" L=2500 Straight-90°
40	TS-132220	1 pc	Hydraulic hose	1/2" L=2200 Straight-90°
41	TS-132210	1 pc	Hydraulic hose	1/2" L=2100 Straight-90°
42	TS-132205	1 pc	Hydraulic hose	1/2" L=2050 Straight-90°
43	TS-131045-2	4 pcs	Hydraulic hose	1/2" L=450 Straight-Straight
44	TS-112100	2 pcs	Hydraulic hose	1/4" L=1000 Straight-90°
45	TS-112100	1 pc	Hydraulic hose	1/4" L=1000 Straight-90°
46	TS-132185	1 pc	Hydraulic hose	1/2" L=1850 Straight-90°
47	TS-132155	1 pc	Hydraulic hose	1/2" L=1550 Straight-90°
48	TS-132220	1 pc	Hydraulic hose	1/2" L=2200 Straight-90°
49	TS-132220	1 pc	Hydraulic hose	1/2" L=2200 Straight-90°
50	TS-122050	1 pc	Hydraulic hose	3/8" L=400 Straight-90°
51	TS-122157	1 pc	Hydraulic hose	3/8" L=1570 Straight-90°
52	TS-162051	1 pc	Hydraulic hose	3/4" L=510 Straight-90°
53	TS-113045	1 pc	Hydraulic hose	1/4" L=450 Straight-45°
54	TS-131050-2	4 pcs	Hydraulic hose	1/2" L=500 Straight-Straight
55	TS-112030	1 pc	Hydraulic hose	1/4" L=300 Straight-90°

Block valve drain (D)

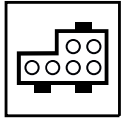


000418

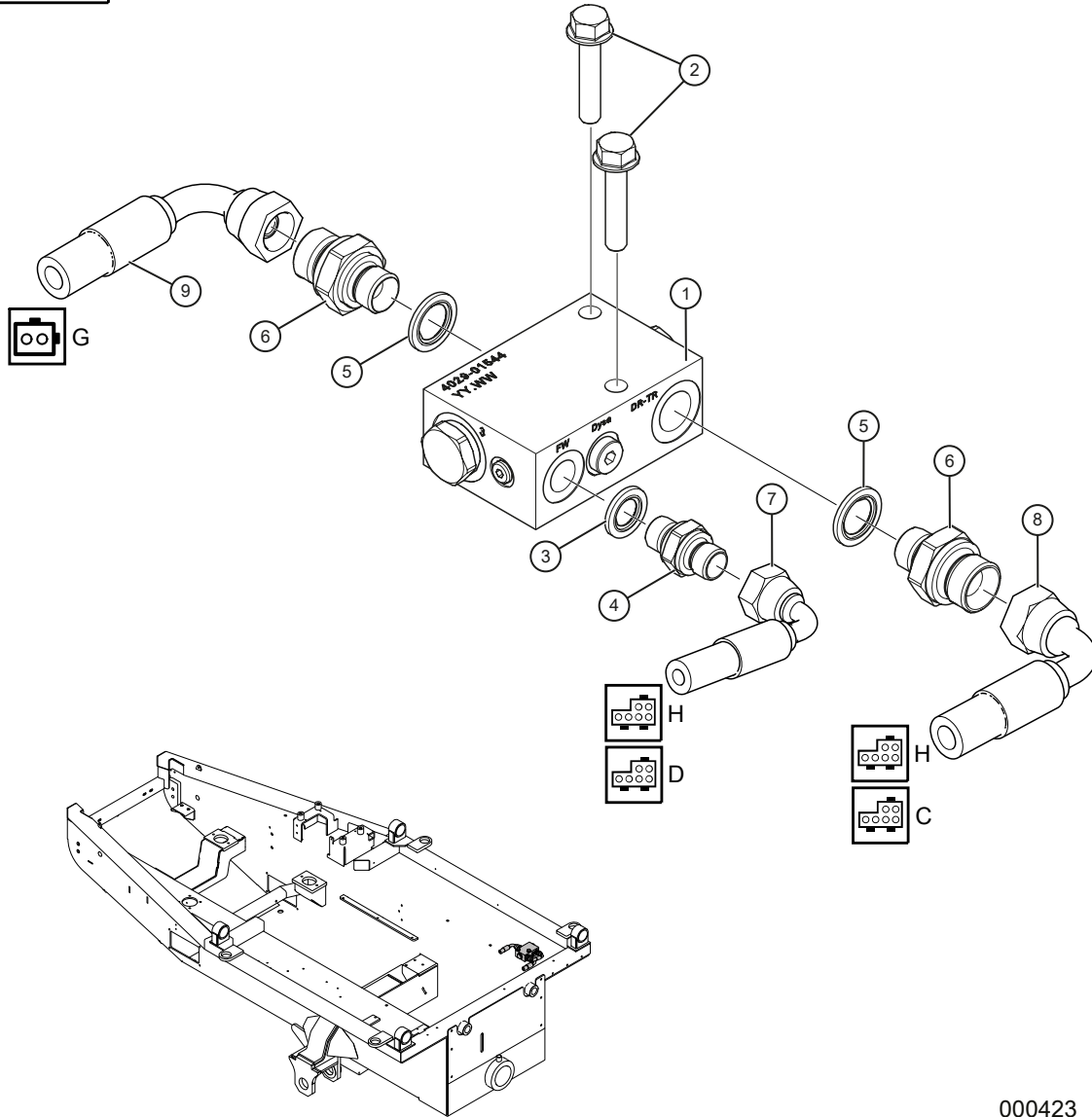
Block valve drain (D)

Pos	Art.	Qty.	Description	Remarks
1	KT-791210	1 pc	Block valve drain	
2	KT-56010104	6 pcs	Rubber steel washer	1/4"
3	KT-70020404	6 pcs	Adapter	1/4"UF-1/4"UF
4	KT-740404041	1 pc	T-adapter	1/4"IR"/UF"/UF
5	09-266194	2 pcs	Flange screw	M6SF 8x50 8.8 FZB
6	TS-113045	1 pc	Hydraulic hose	1/4 L=450 mm Straight-45°
7	TS-112100	1 pc	Hydraulic hose	1/4 L=1000 mm Straight-90°
8	TS-112152	1 pc	Hydraulic hose	1/4 L=1520 mm Straight-90°. Counter pressure block drain *V1*, for Poclain
9	TS-112060	2 pcs	Hydraulic hose	1/4 L=600 mm Straight-90°
10	TS-112100	2 pcs	Hydraulic hose	1/4 L=1000 mm Straight-90°

Valve block drain trailer (E)



E

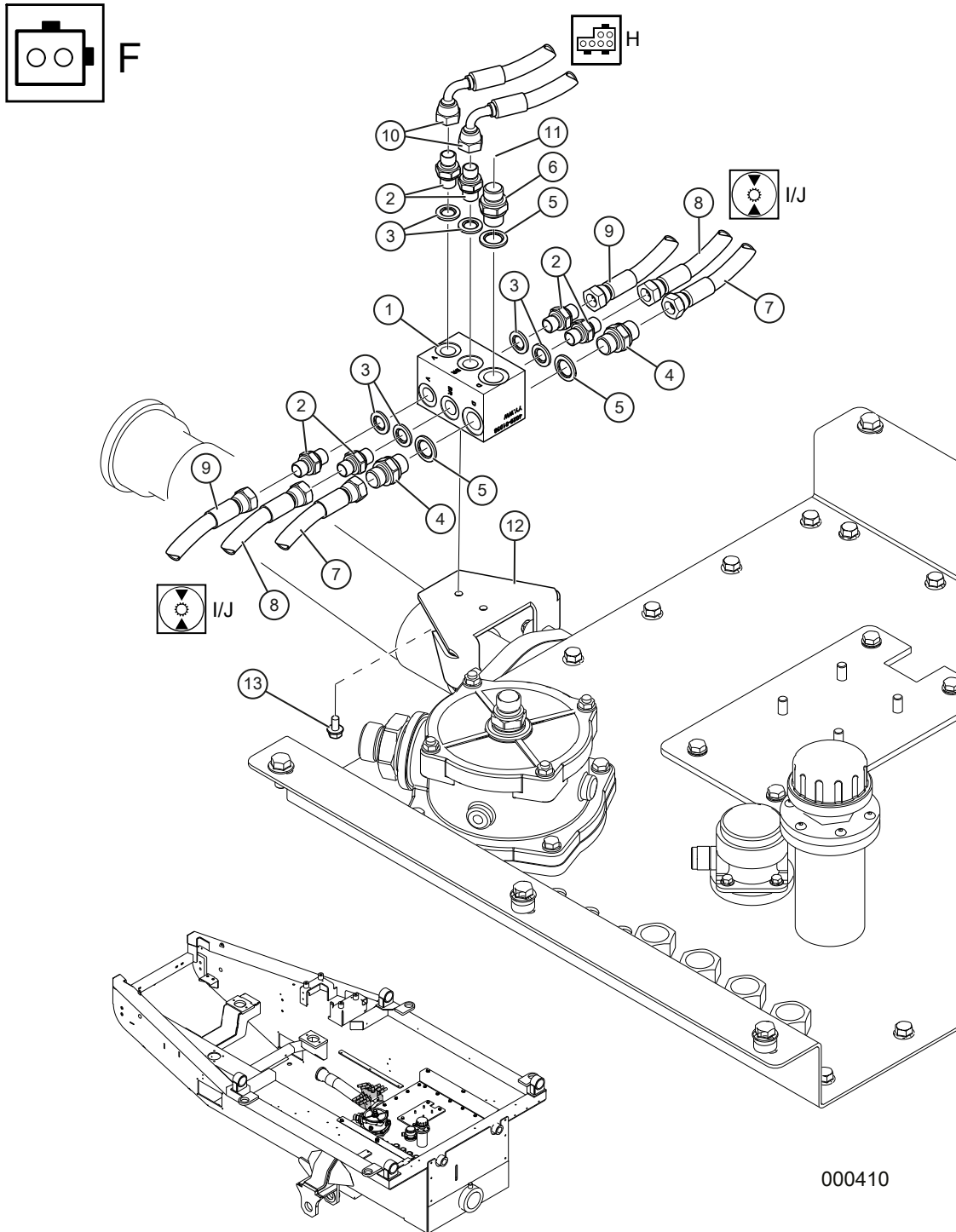


000423

Valve block drain trailer (E)

Pos	Art.	Qty.	Description	Remarks
1	KT-791227	1 pc	Valve block drainage trailer	Complete
2	09-267330	2 pcs	Flange screw	M6SFT 8x40 8.8 FZB
3	KT-56010104	1 pc	Rubber steel washer	1/4"
4	KT-70020404	1 pc	Adapter	1/4"UF-1/4"UF
5	KT-56010106	2 pcs	Rubber steel washer	3/8"
6	KT-70020608	2 pcs	Adapter	3/8"UF-1/2"UF
7	TS-112152	1 pc	Hydraulic hose	1/4" L=1520 mm Straight-90°
8	TS-132060-2	1 pc	Hydraulic hose	1/2" L=600 mm Straight-90°
9	TS-132066	1 pc	Hydraulic hose	1/2" L=660 mm Straight-90°

Distribution block front bogie (F)

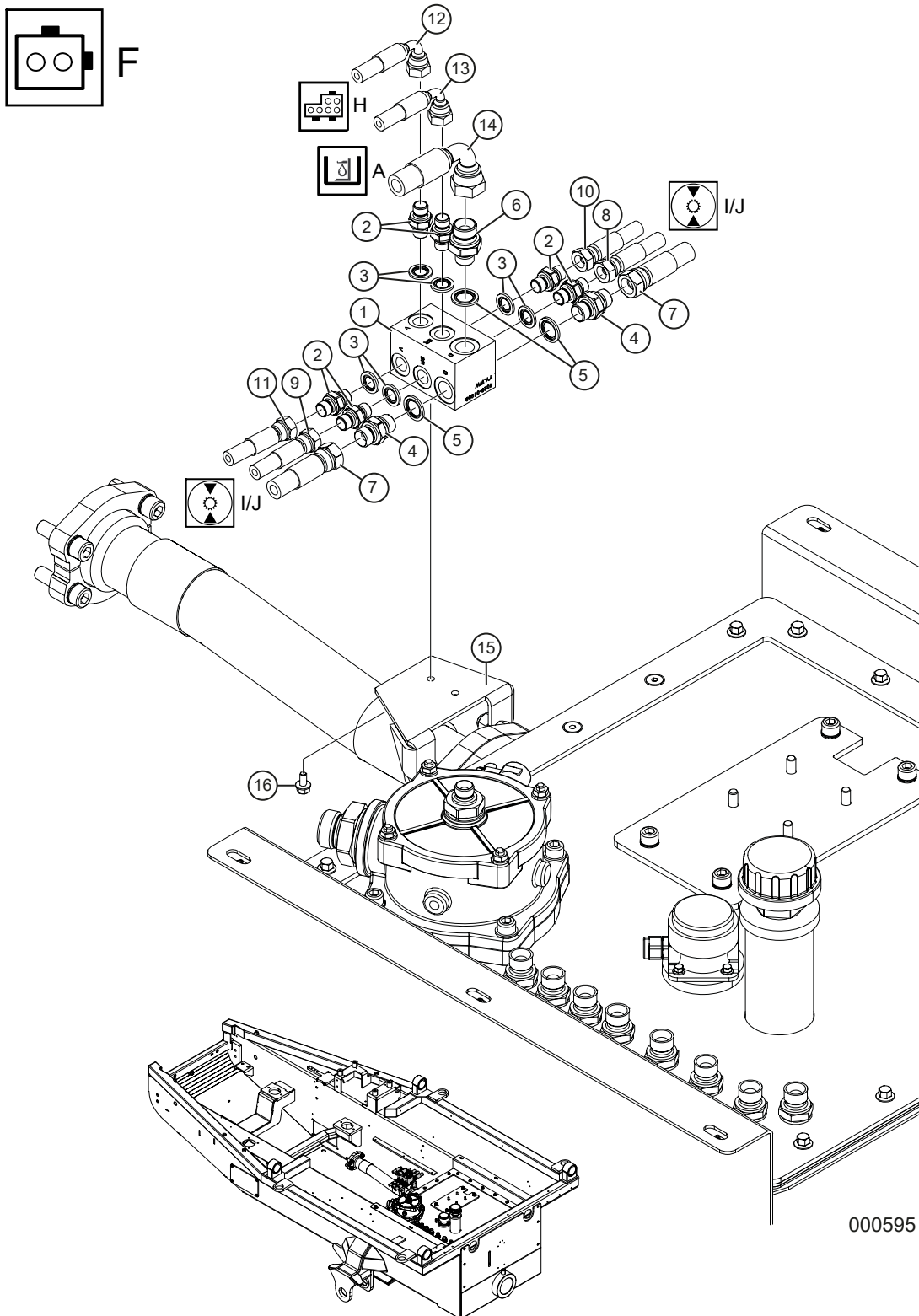


000410

Distribution block front bogie (F)

Pos	Art.	Qty.	Description	Remarks
1	KT-790600	1 pc	Valve block	
2	KT-70020404	6 pcs	Adapter	1/4"UF-1/4"UF
3	KT-56010104	6 pcs	Rubber steel washer	1/4"
4	KT-70020606	2 pcs	Adapter	3/8"UF-3/8"UF
5	KT-56010106	3 pcs	Rubber steel washer	3/8"
6	KT-70020608	1 pc	Adapter	3/8"UF-1/2"UF
7	TS-121150	2 pcs	Hydraulic hose	3/8 L=1500 mm Straight-Straight
8	TS-112150	2 pcs	Hydraulic hose	1/4 L=1500 mm Straight-90°. Brake.
9	TS-112160	2 pcs	Hydraulic hose	1/4 L=1600 mm Straight-90°. Gear
10	TS-112055	2 pcs	Hydraulic hose	1/4 L=550 mm Straight-90°
11	TS-132049	1 pc	Hydraulic hose	1/2" L=490 mm Straight-90°
12	TE-702737	1 pc	Mounting bracket distributor block	
13	09-267446	2 pcs	Flange screw	M6SF 6x12 8.8 FZB

Distribution block front bogie (F)

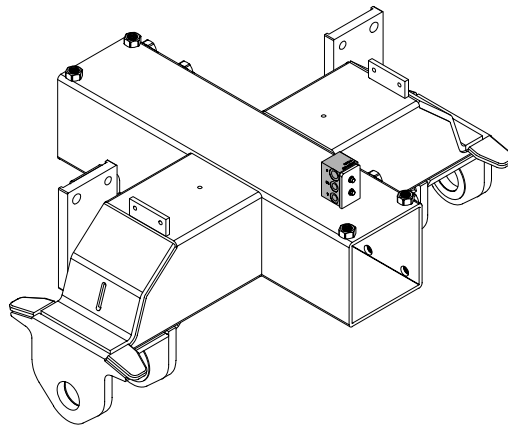
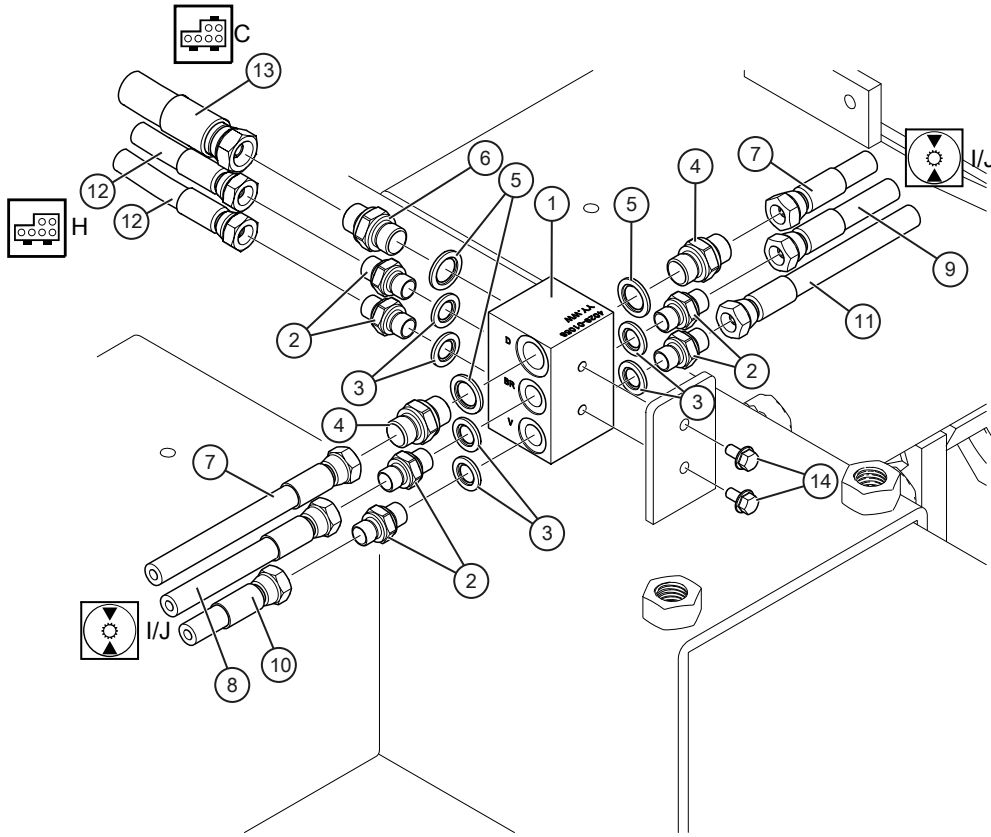
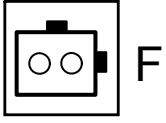


000595

Distribution block front bogie (F)

Pos	Art.	Qty.	Description	Remarks
1	KT-790600	1 pc	Valve block	
2	KT-70020404	6 pcs	Adapter	1/4"UF-1/4"UF
3	KT-56010104	6 pcs	Rubber steel washer	1/4"
4	KT-70020606	2 pcs	Adapter	3/8"UF-3/8"UF
5	KT-56010106	3 pcs	Rubber steel washer	3/8"
6	KT-70020608	1 pc	Adapter	3/8"UF-1/2"UF
7	TS-121165	2 pcs	Hydraulic hose	3/8 L=1650 mm Straight-Straight
8	TS-112130	1 pc	Hydraulic hose	1/4 L=1300 mm Straight-90°. Brake.
9	TS-112120	1 pc	Hydraulic hose	1/4" L=1200 mm Straight-90°. Brake.
10	TS-112205	1 pc	Hydraulic hose	1/4" L=2050 mm Straight-90°. Gear
11	TS-111212	1 pc	Hydraulic hose	1/4" L=2120 mm Straight-Straight. Gear
12	TS-112055	1 pc	Hydraulic hose	1/4 L=550 mm Straight-90°
13	TS-112125-2	1 pc	Hydraulic hose	1/4" L=1250 mm Straight-90°
14	TS-132049	1 pc	Hydraulic hose	1/2" L=490 mm Straight-90°
15	TE-702737	1 pc	Mounting bracket distributor block	
16	09-267446	2 pcs	Flange screw	M6SF 6x12 8.8 FZB

Distributor block rear bogie (G)

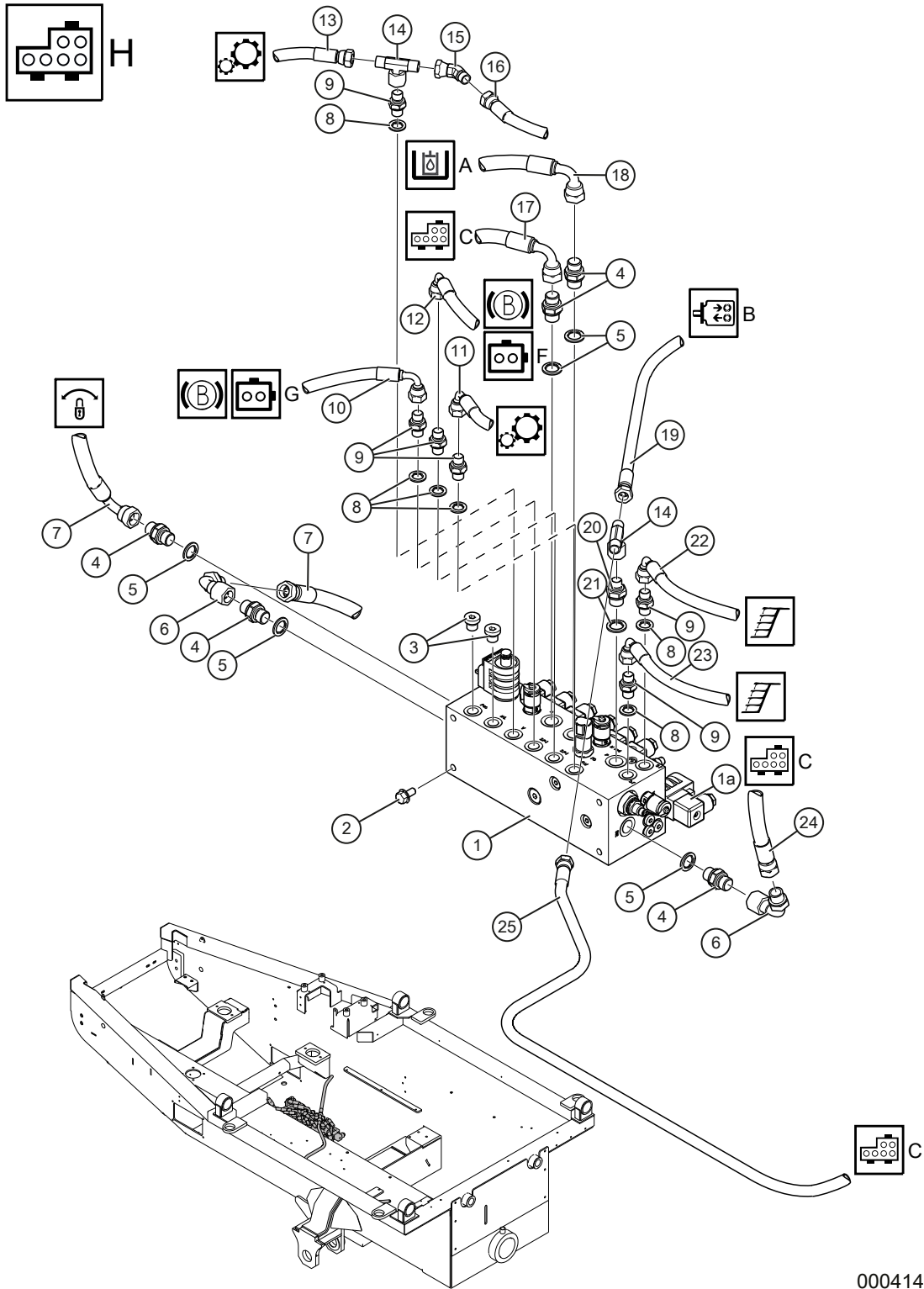


000596

Distributor block rear bogie (G)

Pos	Art.	Qty.	Description	Remarks
1	KT-790600	1 pc	Valve block	
2	KT-70020404	6 pcs	Adapter	1/4"UF-1/4"UF
3	KT-56010104	6 pcs	Rubber steel washer	1/4"
4	KT-70020606	2 pcs	Adapter	3/8"UF-3/8"UF
5	KT-56010106	3 pcs	Rubber steel washer	3/8"
6	KT-70020608	1 pc	Adapter	3/8"UF-1/2"UF
7	TS-123121	2 pcs	Hydraulic hose	3/8" L=1300 Straight-Straight
8	TS-112095	1 pc	Hydraulic hose	1/4" L=950 Straight-90°. Brake
9	TS-112090	1 pc	Hydraulic hose	1/4" L=900 Straight-90°. Brake
10	TS-111170	1 pc	Hydraulic hose	1/4" L=1700 Straight-Straight. Gear
11	TS-112170	1 pc	Hydraulic hose	1/4" L=1700 Straight-90°. Gear
12	TS-111395	2 pcs	Hydraulic hose	1/4" L=3950 Straight-Straight
13	TS-131395	1 pc	Hydraulic hose	1/2" L=3950 Straight-Straight
14	09-267446	2 pcs	Flange screw	M6SF 6x12 8.8 FZB

Pilot block (H)

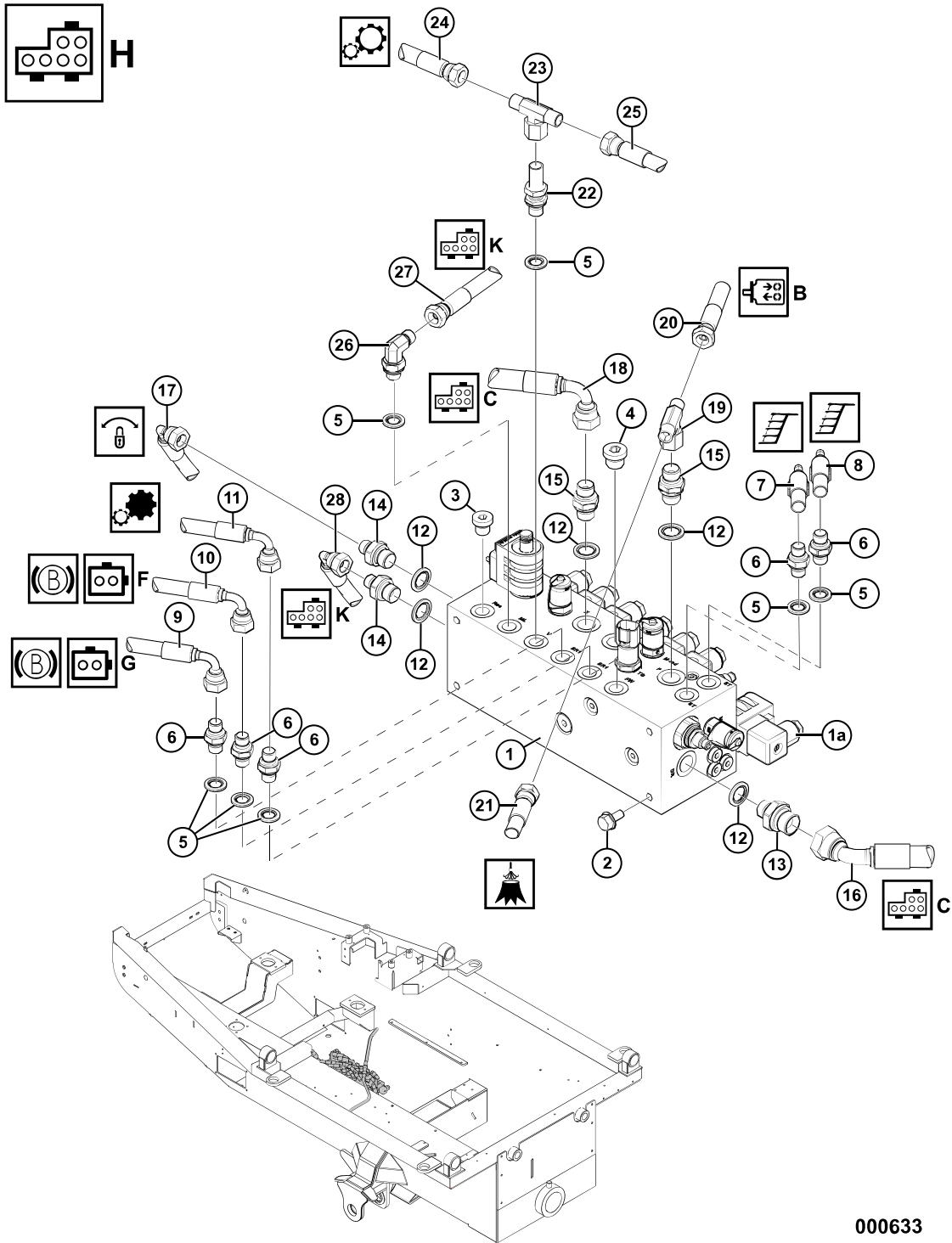


000414

Pilot block (H)

Pos	Art.	Qty.	Description	Remarks
1	KT-791214	1 pc	Pilot block	Complete
-1a	KT-791214-2		Electrically operated directional valve cartridge 4/2	
-	KT-790566-2		Solenoid	12VDC
-	KT-791214-3		Electric solenoid	24V
2	09-266793	4 pcs	Screw	M6S 8x16 8.8 FZB
3	KT-75030004	2 pcs	Hexagonal plug	1/4"
4	KT-70020606	5 pcs	Adapter	3/8"UF-3/8"UF
5	KT-56010106	5 pcs	Rubber steel washer	3/8"
6	KT-72050606	2 pcs	Angle adapter	3/8"UF-3/8"IR 90°
7	TS-112085	2 pcs	Hydraulic hose	1/4" L=850 mm Straight-90°
8	KT-56010104	6 pcs	Rubber steel washer	1/4"
9	KT-70020404	6 pcs	Adapter	1/4"UF-1/4"UF
10	TS-112220	1 pc	Hydraulic hose	1/4" L=2200 mm Straight-90°
11	TS-112152	1 pc	Hydraulic hose	1/4" L=1520 mm Straight-90°
12	TS-112055	1 pc	Hydraulic hose	1/4" L=550 mm Straight-90°
13	TS-112207	1 pc	Hydraulic hose	1/4" L=2070 mm Straight-90°
14	KT-74030404	2 pcs	T-adapter	1/4"UF/UF/IR
15	KT-73030404	1 pc	Angle adapter	1/4"UF-1/4"IR 45°
16	TS-112055	1 pc	Hydraulic hose	1/4" L=550 mm Straight-90°
17	TS-122157	1 pc	Hydraulic hose	3/8" L=1570 mm Straight-90°
18	TS-112130	1 pc	Hydraulic hose	1/4" L=1300 mm Straight-90°
19	TS-122028	1 pc	Hydraulic hose	3/8" L=280 mm Straight-90°
20	KT-70020406	1 pc	Adapter	1/4"UF-3/8"UF
21	KT-56010106	1 pc	Rubber steel washer	3/8"
22	TS-112330	1 pc	Hydraulic hose	1/4" L=3300 mm Straight-90°
23	TS-112317	1 pc	Hydraulic hose	1/4" L=3170 mm Straight-90°
24	TS-132050	1 pc	Hydraulic hose	1/2" L=500 mm Straight-90°
25	TS-118090	1 pc	Hydraulic hose	1/4" L=900 mm spec.

Pilot block (H)

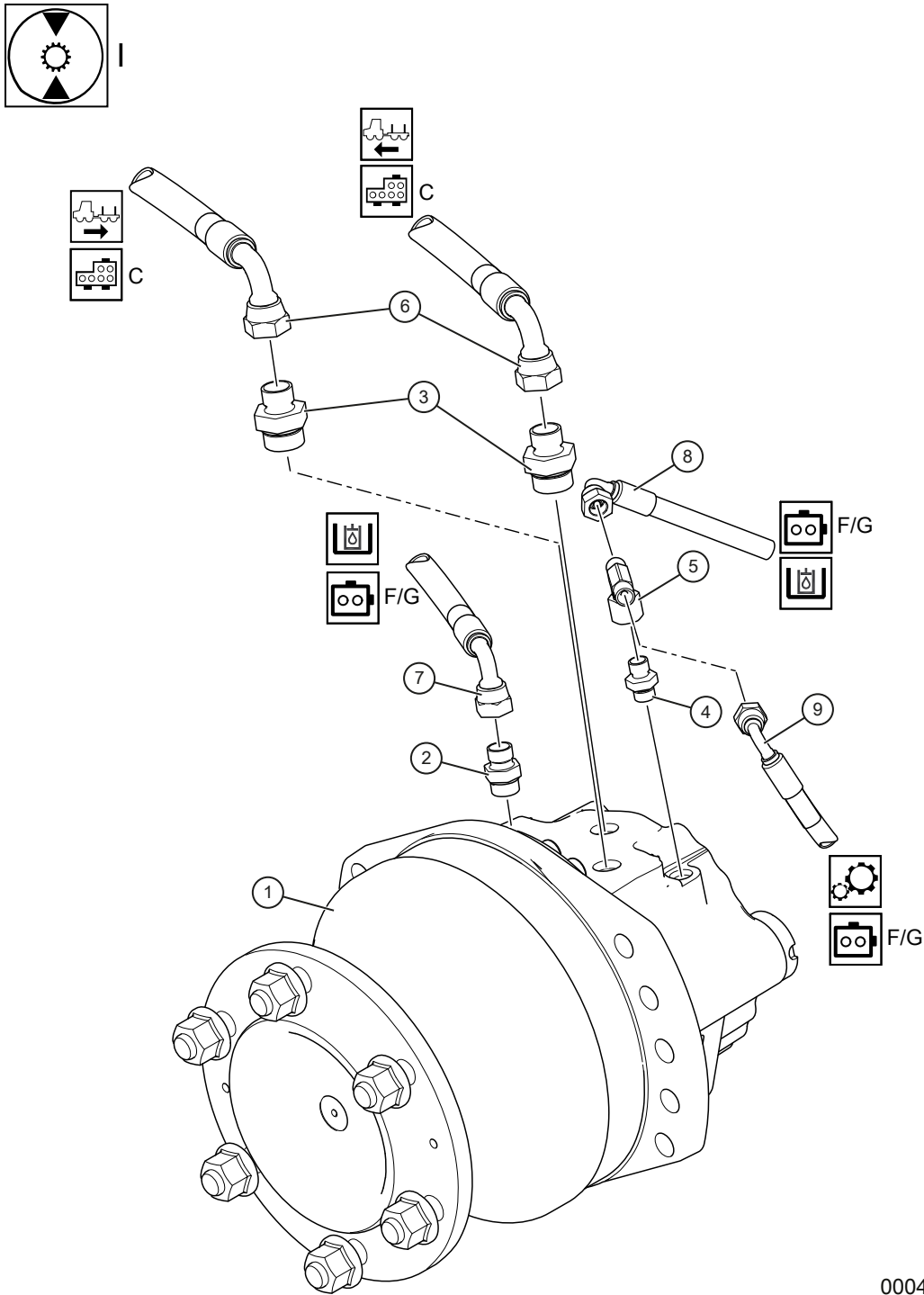


000633

Pilot block (H)

Pos	Art.	Qty.	Description	Remarks
1	KT-791214	1 pc	Pilot block	Complete
-1a	KT-791214-2		Electrically operated directional valve cartridge 4/2	
-	KT-790566-2		Solenoid	12VDC
-	KT-791214-3		Electric solenoid	24V
2	09-266793	4 pcs	Screw	M6S 8x16 8.8 FZB
3	KT-75030004	1 pc	Hexagonal plug	1/4"
4	KT-75030006	1 pc	Hexagonal plug	3/8"
5	KT-56010104	7 pcs	Rubber steel washer	1/4"
6	KT-70020404	5 pcs	Adapter	1/4"UF-1/4"UF
7	TS-112330	1 pc	Hydraulic hose	1/4" L=3300 mm Straight-90°
8	TS-112317	1 pc	Hydraulic hose	1/4" L=3170 mm Straight-90°
9	TS-112220	1 pc	Hydraulic hose	1/4" L=2200 mm Straight-90°
10	TS-112125-2	1 pc	Hydraulic hose	1/4" L=1250 mm Straight-90°
11	TS-112100	1 pc	Hydraulic hose	1/4" L=1000 mm Straight-90°
12	KT-56010106	5 pcs	Rubber steel washer	3/8"
13	KT-70020608	1 pc	Adapter	3/8"UF-1/2"UF
14	KT-70020406	2 pcs	Adapter	1/4"UF-3/8"UF
15	KT-70020606	2 pcs	Adapter	3/8"UF-3/8"UF
16	TS-133060-2	1 pc	Hydraulic hose	1/2" L=600 mm Straight-45°
17	TS-112085	1 pc	Hydraulic hose	1/4" L=850 mm Straight-90°
18	TS-122155-2	1 pc	Hydraulic hose	3/8" L=1550 mm Straight-90°
19	KT-74030606	1 pc	T-adapter	3/8"UF/UF/IR. Used with Urea.
20	TS-122028	1 pc	Hydraulic hose	3/8" L=280 mm Straight-90°
21	TS-118090	1 pc	Hydraulic hose	1/4" L=900 mm spec. Used with Urea.
22	KT-70900404	1 pc	Bulkhead connector	1/4"UF-1/4"UF
23	KT-74030404	1 pc	T-adapter	1/4"UF/UF/IR
24	TS-111220	1 pc	Hydraulic hose	1/4" L=2200 mm Straight-Straight
25	TS-112055	1 pc	Hydraulic hose	1/4" L=550 mm Straight-90°
26	KT-72040404	1 pc	Adjustable angle adapter	1/4"UF-1/4"UF 90° Adj.
27	TS-111055-2	1 pc	Hydraulic hose	1/4" L= 550 mm Straight-Straight
28	TS-112085	1 pc	Hydraulic hose	1/4" L=850 mm Straight-90°

In-wheel motor, wheel w/o brake (I) - welded bogie

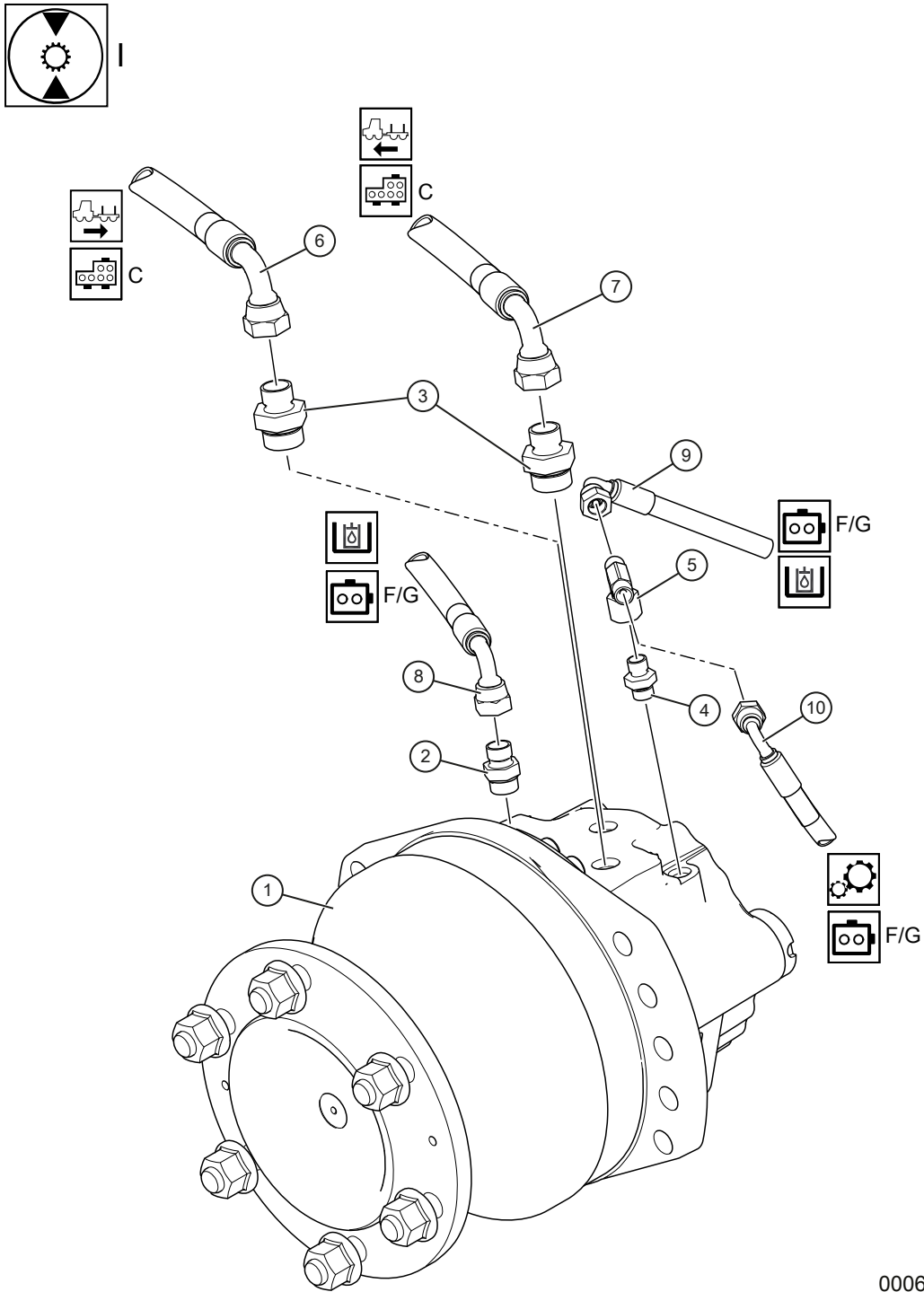


000420

In-wheel motor, wheel w/o brake (I) - welded bogie

Pos	Art.	Qty.	Description	Remarks
1	KT-791225	1 pc	In-wheel motor	Poc 1248cc w/o brake
2	KT-70150612	1 pc	Adapter	3/8"UF-SAE0 3/4"-16UF. Tank
3	KT-70150817	2 pcs	Adapter	1/2"UF-SAE0 1 1/16"UF. Drive
4	KT-70150409	1 pc	Adapter	1/4"UF-9/16"-18UF. Gear
5	KT-74030404	1 pc	T-adapter	1/4"UF/UF/IR. Gear
6	TS-138040	2 pcs	Hydraulic hose	1/2" L=400 mm spec. Drive
7	TS-122040	1 pc	Hydraulic hose	3/8" L=400 mm Straight-90°. Tank
8	TS-112190	1 pc	Hydraulic hose	1/4" L=1900 mm Straight-90°. Gear
9	TS-112180	1 pc	Hydraulic hose	1/4" L=1800 mm Straight-90°. Gear front bogie
	TS-118170	1 pc	Hydraulic hose	1/4" L=1700 mm spec. Gear rear bogie

In-wheel motor, wheel without brake (I) - cast bogie

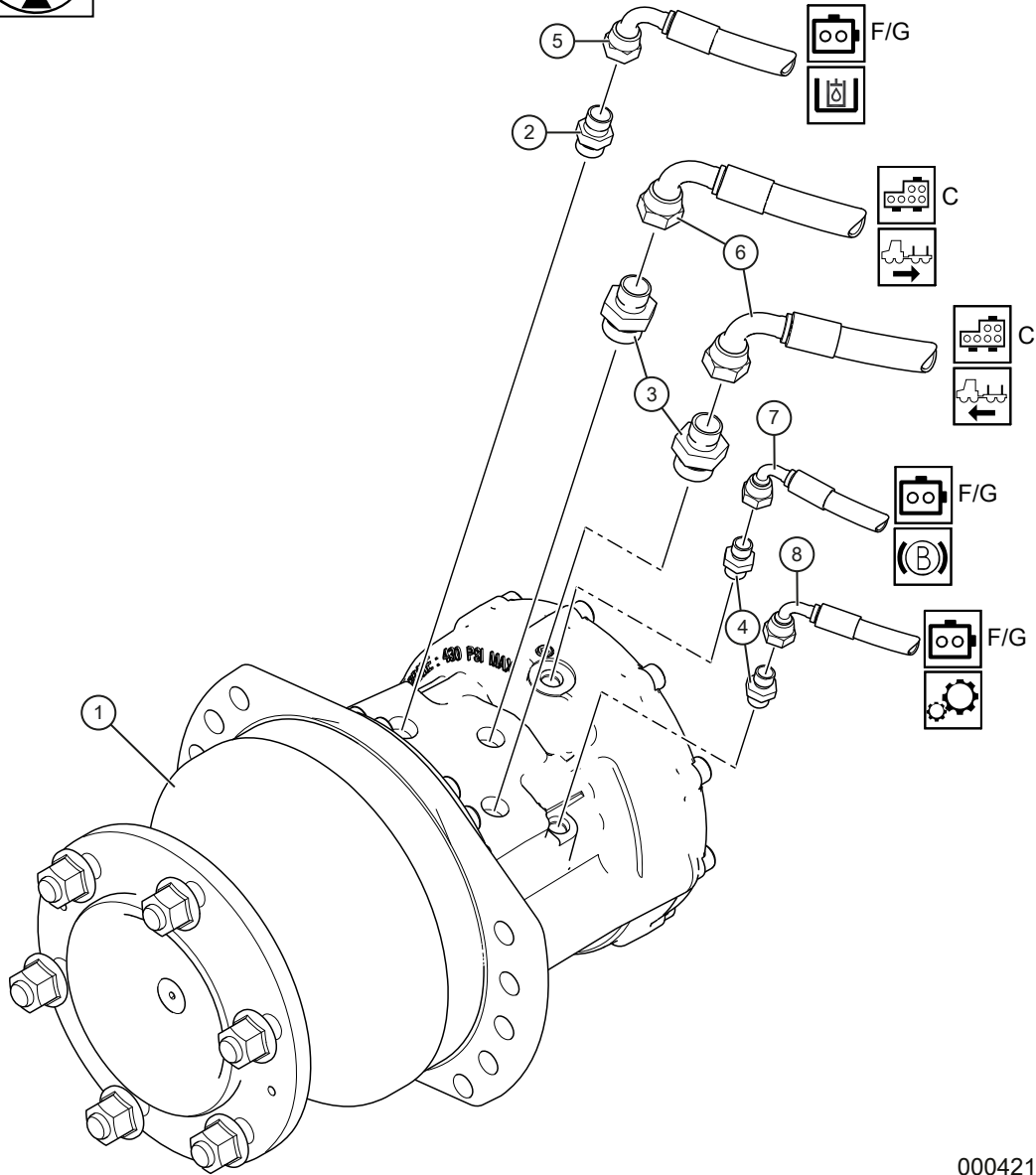
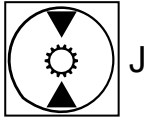


000638

In-wheel motor, wheel without brake (I) - cast bogie

Pos	Art.	Qty.	Description	Remarks
1	KT-791225	1 pc	In-wheel motor	Poc 1248cc w/o brake
2	KT-70150612	1 pc	Adapter	3/8"UF-SAE0 3/4"-16UF. Tank
3	KT-70150817	2 pcs	Adapter	1/2"UF-SAE0 1 1/16"UF. Drive
4	KT-70150409	1 pc	Adapter	1/4"UF-9/16"-18UF. Drive
5	KT-74030404	1 pc	T-adapter	1/4"UF/UF/IR. Gear
6	TS-132210	1 pc	Hydraulic hose	1/2" L=2100 mm Straight-90°. Drive A - Right front
	TS-132185	1 pc	Hydraulic hose	1/2" L=1850 mm Straight-90°. Drive A - Left front
	TS-132140	1 pc	Hydraulic hose	1/2" L=1400 mm Straight-90°. Drive A - Right rear
	TS-132135	1 pc	Hydraulic hose	1/2" L=1350 mm Straight-90°. Drive A - Left rear
7	TS-132220	1 pc	Hydraulic hose	1/2" L=2200 mm Straight-90°. Drive B - Right front
	TS-132250	1 pc	Hydraulic hose	1/2" L=2500 mm Straight-90°. Drive B - Left front
	TS-132140	1 pc	Hydraulic hose	1/2" L=1400 mm Straight-90°. Drive B - Right rear
	TS-132145	1 pc	Hydraulic hose	1/2" L=1450 mm Straight-90°. Drive B - Left rear
8	TS-122040	1 pc	Hydraulic hose	3/8" L=420 mm Straight-90°. Tank
9	TS-112110	1 pc	Hydraulic hose	1/4" L=1100 mm Straight-90°. Gear
10	TS-112205	1 pc	Hydraulic hose	1/4" L=2050 mm Straight-90°. Gear - Right front
	TS-111212	1 pc	Hydraulic hose	1/4" L=2120 mm Straight-Straight. Gear - Left front
	TS-112170	1 pc	Hydraulic hose	1/4" L=1700 mm Straight-90°. Gear - Right rear
	TS-111170	1 pc	Hydraulic hose	1/4" L=1700 mm Straight-Straight. Gear - Left rear

In-wheel motor, wheel with brake (J) - welded bogie

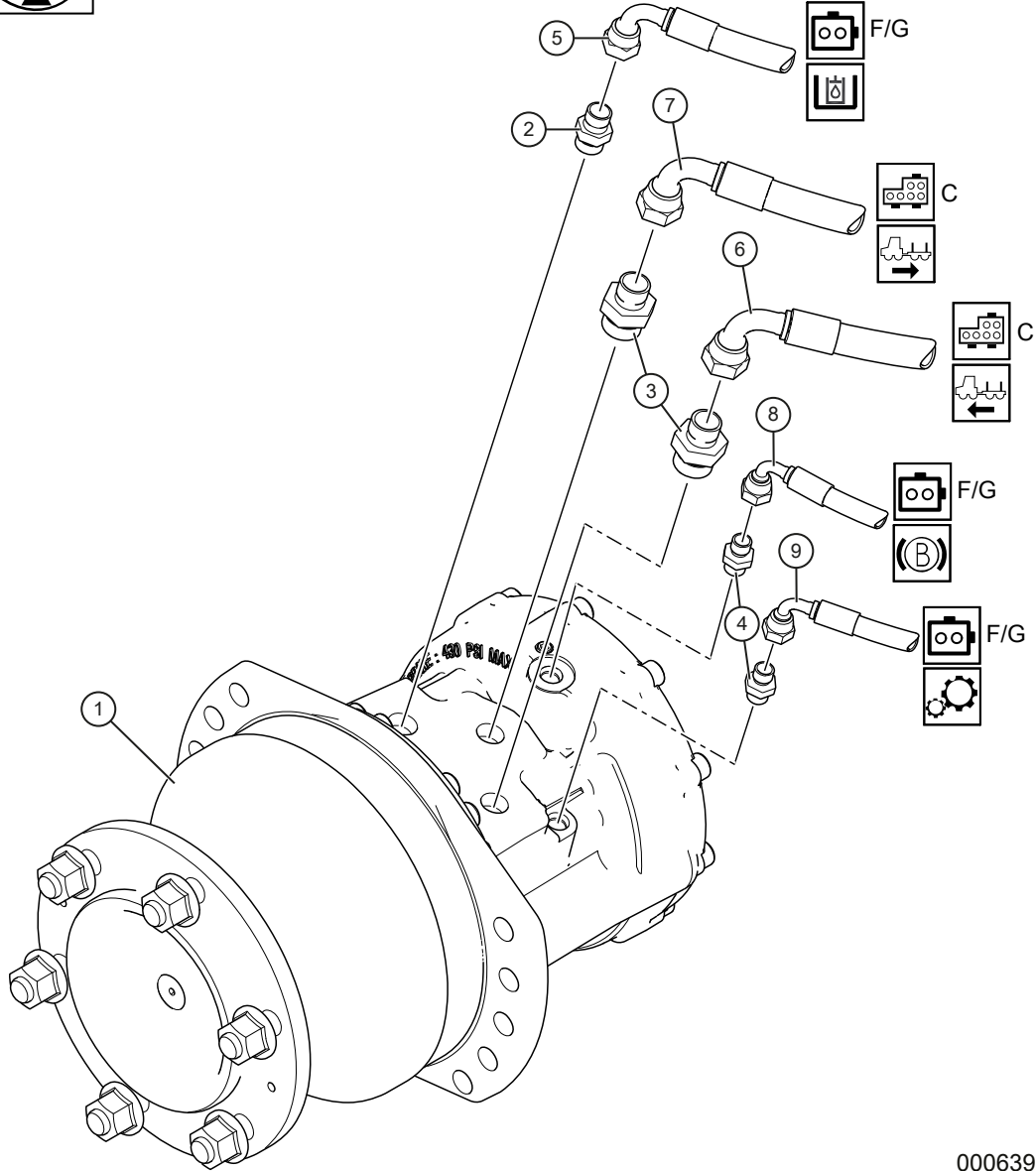
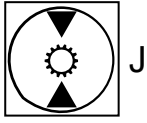


000421

In-wheel motor, wheel with brake (J) - welded bogie

Pos	Art.	Qty.	Description	Remarks
1	KT-791226	1 pc	In-wheel motor	Poc 1248cc with parking brake
2	KT-70150612	1 pc	Adapter	3/8"UF-SAE0 3/4"-16UF. Tank
3	KT-70150817	2 pcs	Adapter	1/2"UF-SAE0 1 1/16"UF. Drive
4	KT-70150409	2 pcs	Adapter	1/4"UF-9/16"-18UF. Brake/ Gear
5	TS-122130	1 pc	Hydraulic hose	3/8" L=1300 mm Straight-90°. Tank front bogie
	TS-127130	1 pc	Hydraulic hose	3/8" L=1300 mm 90°-90°. Tank rear bogie
6	TS-138040	2 pcs	Hydraulic hose	1/2" L=400 mm spec. Drive
7	TS-112150	1 pc	Hydraulic hose	1/4" L=1500 mm Straight-90°. Brake - Right front
	TS-112150	1 pc	Hydraulic hose	1/4" L=1500 mm Straight-90°. Brake - Left front
	TS-113155	1 pc	Hydraulic hose	1/4" L=1550 mm Straight-45°. Brake - Right rear
	TS-113115	1 pc	Hydraulic hose	1/4" L=1150 mm Straight-45°. Brake - Left rear
8	TS-112190	1 pc	Hydraulic hose	1/4" L=1900 mm Straight-90°. Gear front bogie
	TS-112170	1 pc	Hydraulic hose	1/4" L=1700 mm Straight-90°. Gear rear bogie

In-wheel motor, wheel with brake (J) - cast bogie

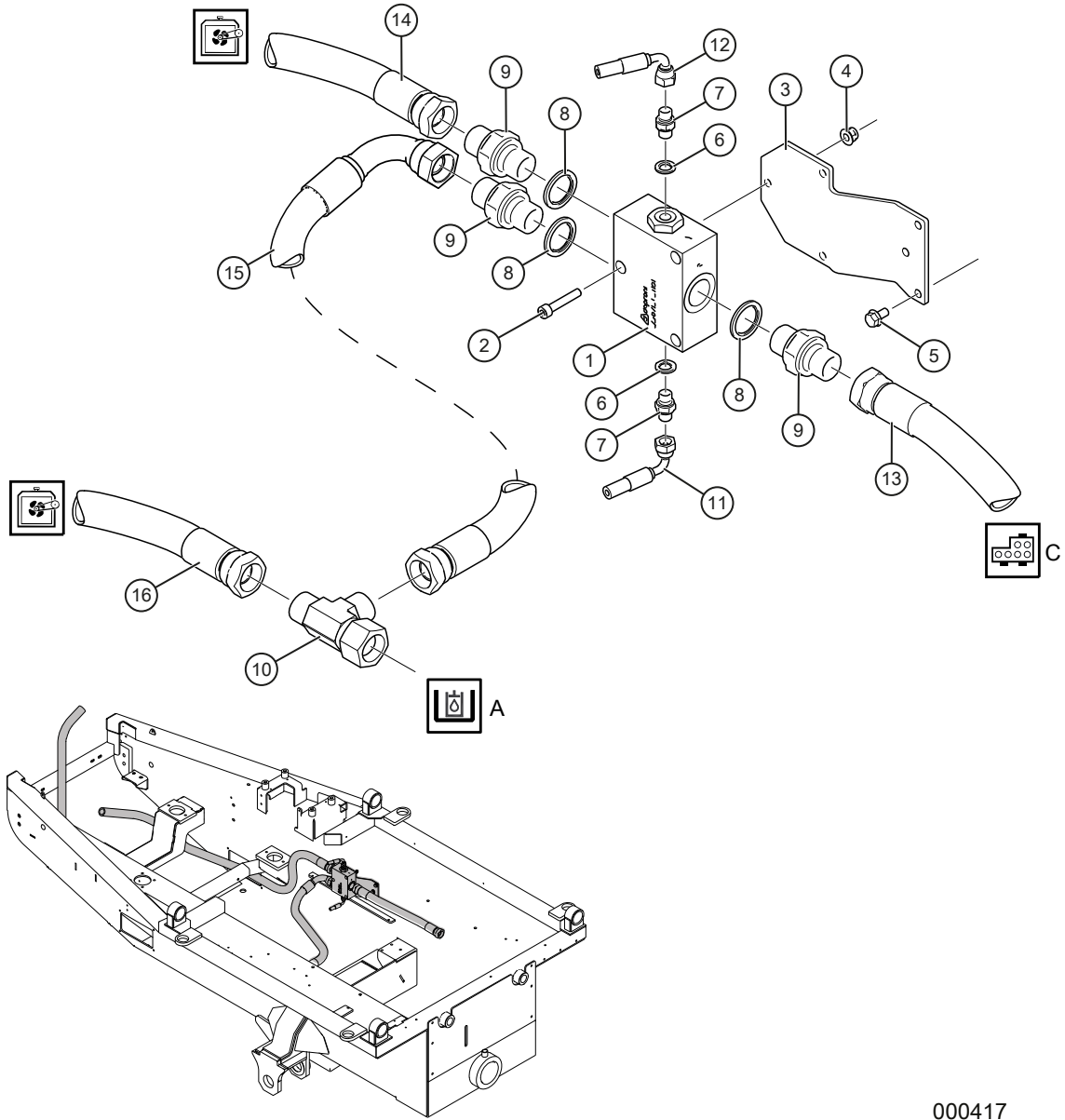
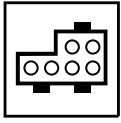


000639

In-wheel motor, wheel with brake (J) - cast bogie

Pos	Art.	Qty.	Description	Remarks
1	KT-791226	1 pc	In-wheel motor	Poc 1248cc with parking brake
2	KT-70150612	1 pc	Adapter	3/8"UF-SAE0 3/4"-16UF. Tank
3	KT-70150817	2 pcs	Adapter	1/2"UF-SAE0 1 1/16"UF. Drive
4	KT-70150409	2 pcs	Adapter	1/4"UF-9/16"-18UF. Brake/ Gear
5	TS-127100	1 pc	Hydraulic hose	3/8" L=1000 mm 90°-90°. Tank
6	TS-132205	1 pc	Hydraulic hose	1/2" L=2050 mm Straight-90°. Drive A - Right front
	TS-132105	1 pc	Hydraulic hose	1/2" L=1050 mm Straight-90°. Drive A - Left front
	TS-132095	1 pc	Hydraulic hose	1/2" L=950 mm Straight-90°. Drive A - Right rear
	TS-132105	1 pc	Hydraulic hose	1/2" L=1050 mm Straight-90°. Drive A - Left rear
7	TS-132220	1 pc	Hydraulic hose	1/2" L=2200 Straight-90°. Drive B - Right front
	TS-132155	1 pc	Hydraulic hose	1/2" L=1550 Straight-90°. Drive B - Left front
	TS-132100	1 pc	Hydraulic hose	1/2" L=1000 Straight-90°. Drive B - Rear bogie
8	TS-112130	1 pc	Hydraulic hose	1/4" L=1300 mm Straight-90°. Brake - Right front
	TS-112120	1 pc	Hydraulic hose	1/4" L=1200 mm Straight-90°. Brake - Left front
	TS-112090	1 pc	Hydraulic hose	1/4" L=900 mm Straight-90°. Brake - Right rear
	TS-112095	1 pc	Hydraulic hose	1/4" L=950 mm Straight-90°. Brake - Left rear
9	TS-112110	1 pc	Hydraulic hose	1/4" L=1100 mm Straight-90°. Gear

Thermostat block (K)

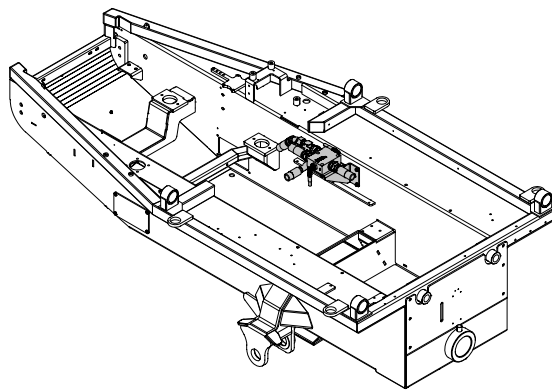
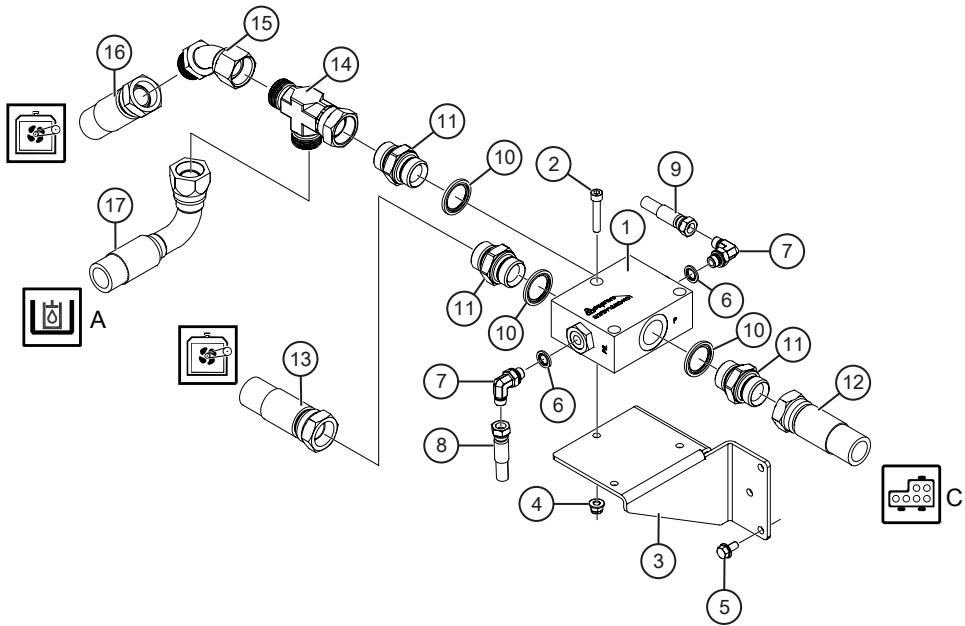
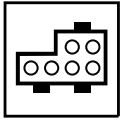


000417

Thermostat block (K)

Pos	Art.	Qty.	Description	Remarks
1	KT-791338	1 pc	Thermostat block	Machine no. T23-006. Not T21-001, T22-001, T22-006 and T22-007.
2	K6066-01	3 pcs	Hex screw	MC6S 8x45
3	TE-702907	1 pc	Bracket	
4	09-265605	3 pcs	Flange lock nut	LM6MF 8 FZB
5	09-266793	3 pcs	Flange screw	M6SF 8x16 8.8 FZB
6	KT-56010104	2 pcs	Rubber steel washer	1/4"
7	KT-70020404	2 pcs	Adapter	1/4"UF-1/4"UF
8	KT-56010116	3 pcs	Rubber steel washer	1"
9	KT-70021616	3 pcs	Adapter	1"UF-1"UF
10	KT-74041616	1 pc	T-adapter	1"IR/UF/UF
11	TS-112055	1 pc	Hydraulic hose	1/4" L=550 Straight-90°
12	TS-112085	1 pc	Hydraulic hose	1/4" L=880 Straight-90°
13	TS-171045	1 pc	Hydraulic hose	1" L=450 Straight-Straight. For drive valve T
14	TS-172180	1 pc	Hydraulic hose	1"L=1800 Straight-90°. For cooler
15	TS-171043	1 pc	Hydraulic hose	1" L=430 Straight-Straight. For thermal bypass valve
16	TS-172235	1 pc	Hydraulic hose	1" L=2350 Straight-90°. For cooler

Thermostat block (K)

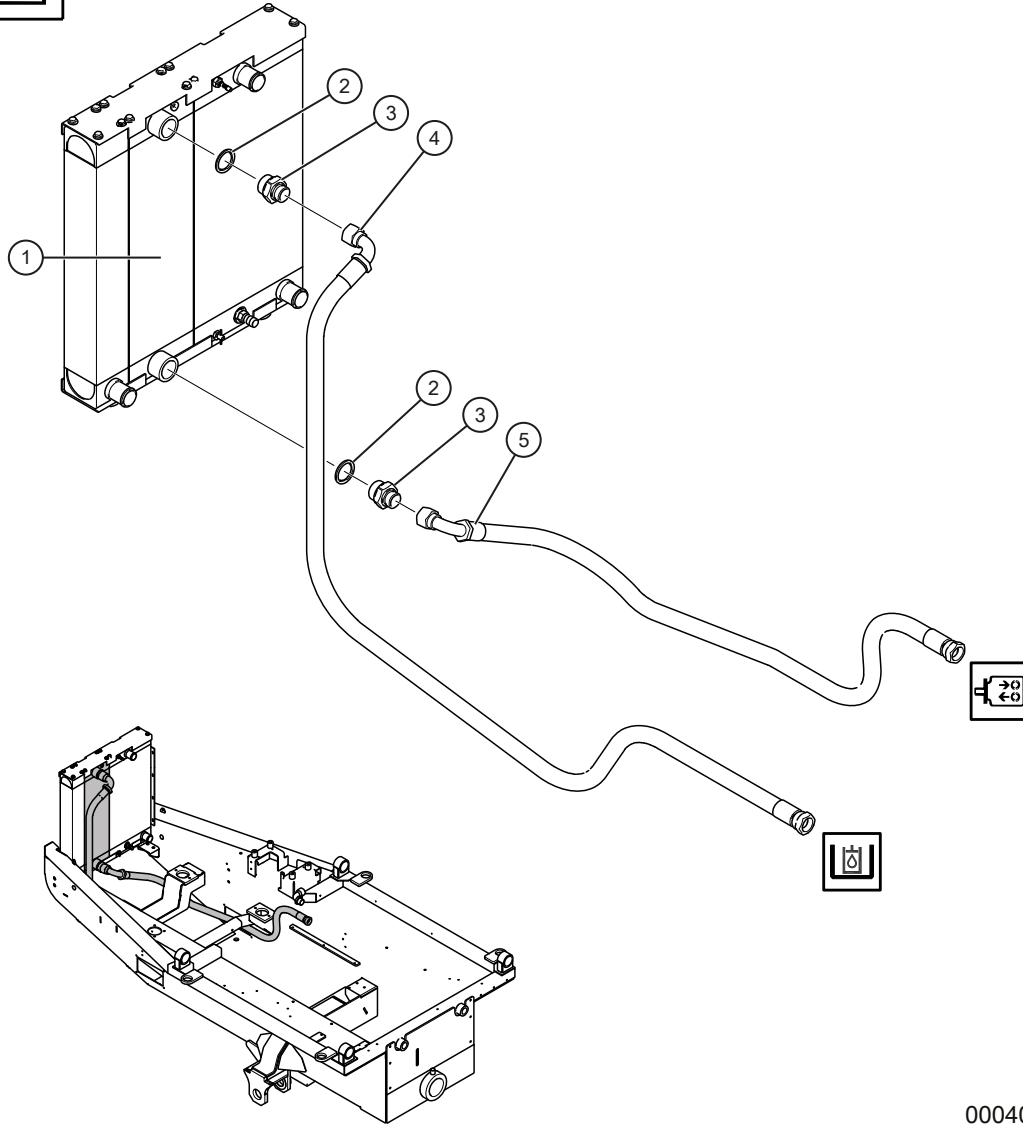


000594

Thermostat block (K)

Pos	Art.	Qty.	Description	Remarks
1	KT-791378	1 pc	Thermostat block	From machine T23-007. Also machines T21-001, T22-001, T22-006 and T22-007.
2	K6066-01	3 pcs	Hex screw	MC6S 8x45
3	TE-703210	1 pc	Bracket	
4	09-265605	3 pcs	Flange lock nut	LM6MF 8 FZB
5	09-266793	3 pcs	Flange screw	M6SF 8x16 8.8 FZB
6	KT-56010104	2 pcs	Rubber steel washer	1/4"
7	KT-72040404	2 pcs	Adjustable angle adapter	1/4"UF-1/4"UF STB
8	TS-111055-2	1 pc	Hydraulic hose	1/4"L=550 Straight-Straight
9	TS-112085	1 pc	Hydraulic hose	1/4" L=850 Straight-90°
10	KT-56010116	3 pcs	Rubber steel washer	1"
11	KT-70021616	3 pcs	Adapter	1"UF-1"UF
12	TS-171045	1 pc	Hydraulic hose	1" L=450 Straight-Straight. For drive valve T
13	TS-172180	1 pc	Hydraulic hose	1"L=1800 Straight-90°. For cooler
14	KT-74041616	1 pc	T-adapter	1"IR-1"UF-1"UF
15	KT-73051616	1 pc	Angle adapter	1"IR-1"UF 45°
16	TS-172235	1 pc	Hydraulic hose	1" L=2350 Straight-90°. For cooler
17	TS-172070	1 pc	Hydraulic hose	1" L=700 Straight-Straight. For hydraulic tank

Hydraulic oil cooler

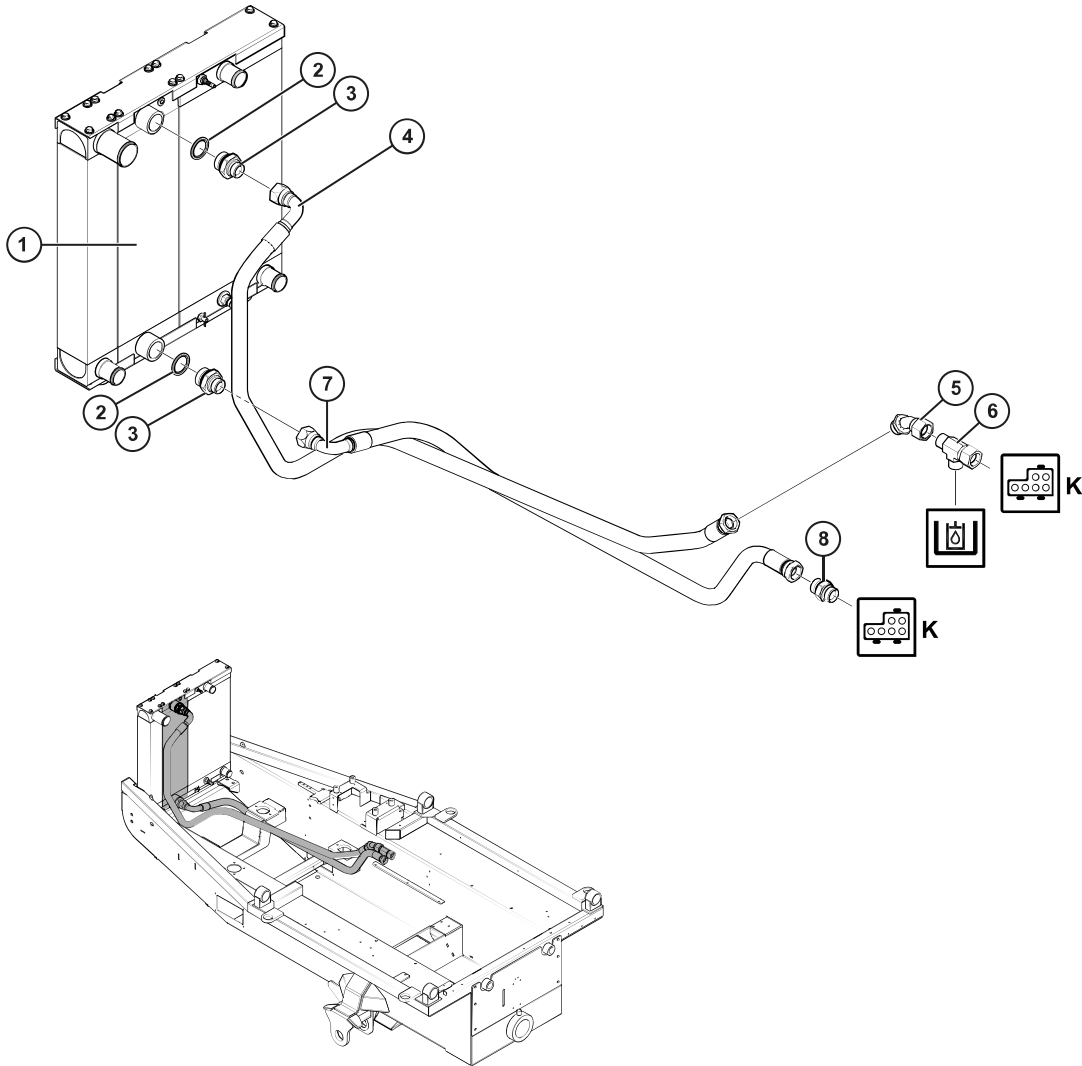
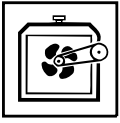


000405

Hydraulic oil cooler

Pos	Art.	Qty.	Description	Remarks
			Hydraulic oil cooler	Up to machine T23-006.
1	KT-765001-2	1 pc	Cooling element	Oil
2	KT-56010120	2 pcs	Rubber steel washer	1 1/4"
3	KT-70021620	2 pcs	Adapter	1"UF-1 1/4"UF
4	TS-172235	1 pc	Hydraulic hose	1" L=2350 mm Straight-90°. For tank
5	TS-172180	1 pc	Hydraulic hose	1" L=1800 mm Straight-90°. For thermal bypass

Hydraulic oil cooler

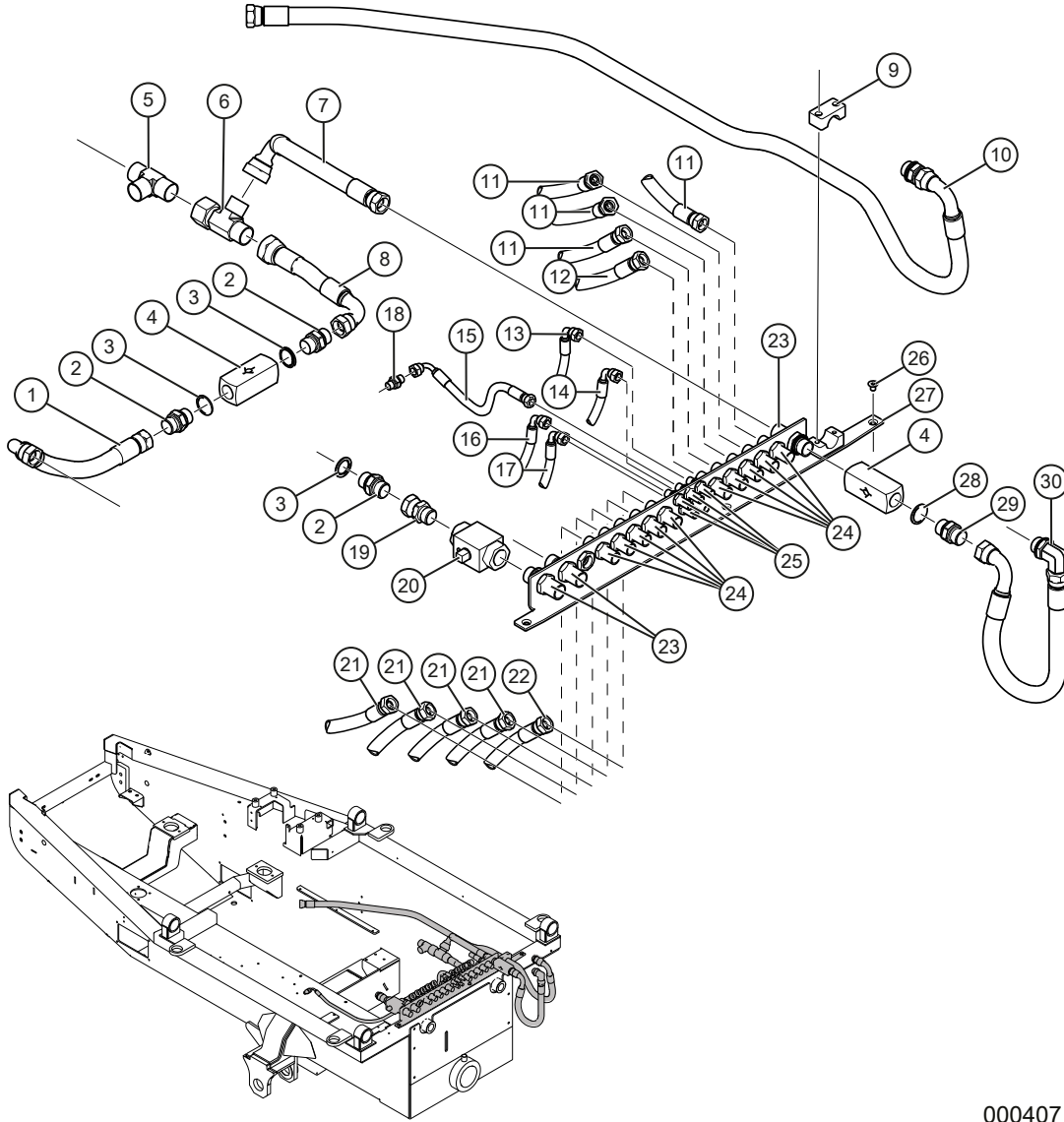


000637

Hydraulic oil cooler

Pos	Art.	Qty.	Description	Remarks
			Hydraulic oil cooler	From machine T23-007.
1	KT-765001-2	1 pc	Cooling element	Oil
2	KT-56010120	2 pcs	Rubber steel washer	1 1/4"
3	KT-70021620	2 pcs	Adapter	1"UF-1 1/4"UF
4	TS-172235	1 pc	Hydraulic hose	1" L=2350 mm Straight-90°
5	KT-73051616	1 pc	Angle adapter	1"UF-1"UF 45°
6	KT-74041616	1 pc	T-adapter	1"IR-1"UF-1"UF
7	TS-172180	1 pc	Hydraulic hose	1" L=1800 mm Straight-90°
8	KT-70021616	1 pc	Adapter	1"UF-1"UF

Bulkhead connector

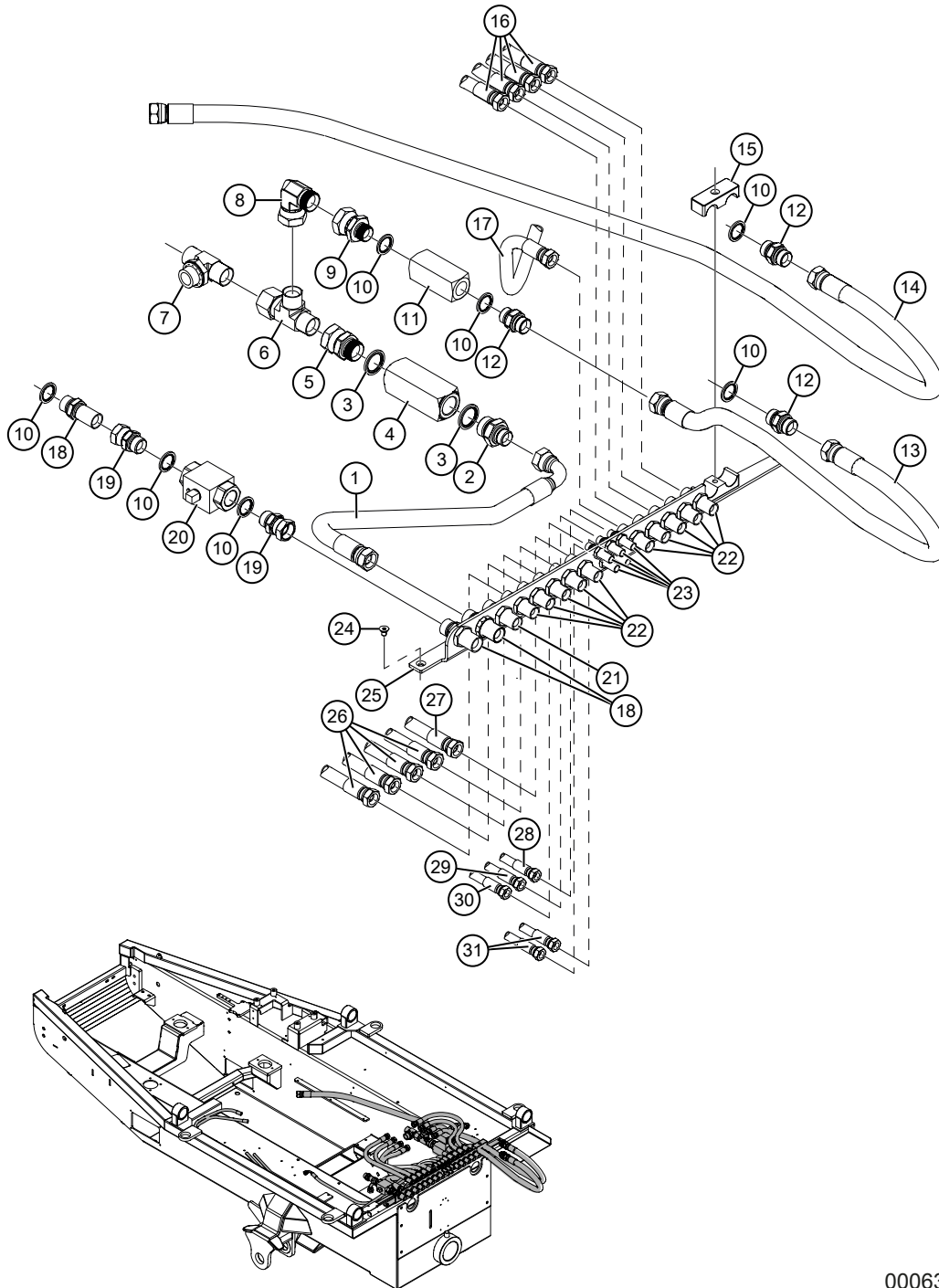


000407

Bulkhead connector

Pos	Art.	Qty.	Description	Remarks
1	TS-152021	1 pc	Hydraulic hose	3/4" L=210 mm Straight-90°
2	KT-70021212	3 pcs	Adapter	3/4"UF-3/4UF"
3	KT-56010112	3 pcs	Rubber steel washer	3/4"
4	KT-790913	2 pcs	Non-return valve	3/4" 4.5 bar
5	KT-74011616	1 pc	T-adapter	1" UF/UF/UF
6	KT-74041616	1 pc	T-adapter	1"UF/IR/UF
7	TS-158023	1 pc	Hydraulic hose	3/4" L=200 mm spec.
8	TS-158013	1 pc	Hydraulic hose	3/4" L=130 mm spec.
9	KT-53900528	2 pcs	Pipe clamp	28 mm
10	TS-162180	1 pc	Hydraulic hose	3/4" L=1800 mm Straight-90°
11	TS-132033	4 pcs	Hydraulic hose	1/2" L=330 mm Straight-90°
12	TS-132058	1 pc	Hydraulic hose	1/2" L=580 mm Straight-90°
13	TS-112220	1 pc	Hydraulic hose	1/4" L=2200 mm Straight-90°
14	TS-113140	1 pc	Hydraulic hose	1/4" L=1400 mm Straight-45°
15	TS-112095	1 pc	Hydraulic hose	1/4" L=950 mm Straight-90°
16	TS-112207	1 pc	Hydraulic hose	1/4" L=2070 mm Straight-90°
17	TS-113140	1 pc	Hydraulic hose	1/4" L=1400 mm Straight-45°
18	KT-70020404	1 pc	Adapter	1/4"UF-1/4"UF
19	KT-70081212	1 pc	Adapter	3/4"UF-3/4"IR
20	KT-80311212	1 pc	Ball valve	3/4"
21	TS-133047	4 pcs	Hydraulic hose	1/2" L=470 mm Straight-45°
22	TS-132029	1 pc	Hydraulic hose	1/2" L=290 mm Straight-90°
23	KT-70901212	3 pcs	Bulkhead connector	3/4"UF-3/4"UF
24	KT-70900808	10 pcs	Bulkhead connector	1/2"UF-1/2"UF
25	KT-70900404	5 pcs	Bulkhead connector	1/4"UF-1/4"UF
26	K6085-064	3 pcs	Screw	MF6S 8x12 10.9 FZB
27	TE-702153	1 pc	Sheet metal bulkheads	
28	KT-56010112	1 pc	Rubber steel washer	3/4"
29	KT-70021212	1 pc	Adapter	3/4"UF-3/4"UF
30	TS-152060	1 pc	Hydraulic hose	3/4" L=600 mm Straight-90°

Bulkhead connector

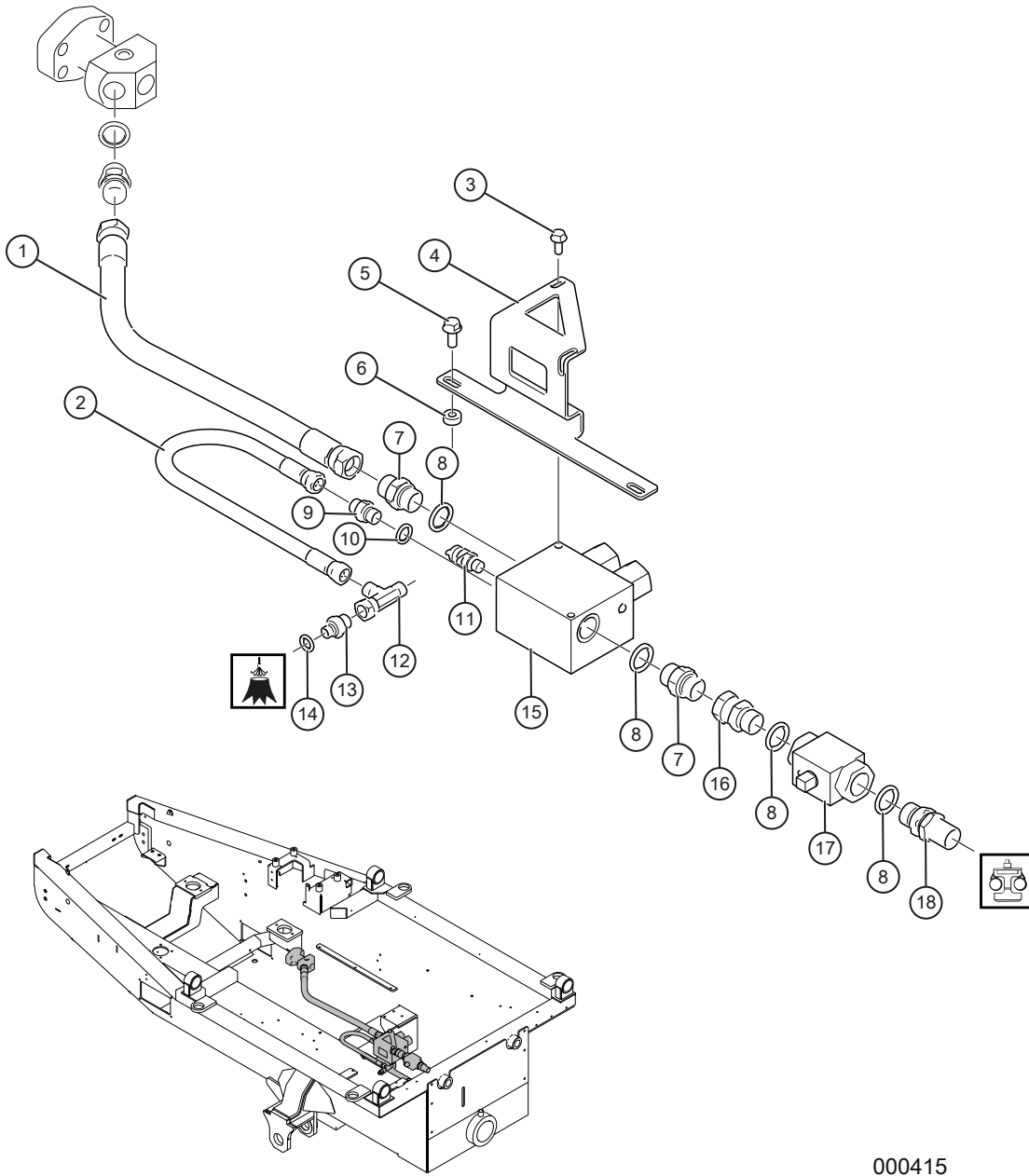


000634

Bulkhead connector

Pos	Art.	Qty.	Description	Remarks
1	TS-152065	1 pc	Hydraulic hose	3/4" L=650 mm Straight-90°
2	KT-70021216	1 pc	Adapter	3/4"UF-1"UF
3	KT-56010116	2 pcs	Rubber steel washer	1"
4	KT-790692	1 pc	Non-return valve	1" 0.35 bar
5	KT-70081616	1 pc	Adapter	1"UF-1"IR
6	KT-74041616	1 pc	T-adapter	1"IR/UF/UF
7	KT-74131616	1 pc	Adjustable T-adapter	1"UF/UF/UF Stb
8	KT-72031616	1 pc	Angle adapter	1"UF-1"IR 90°
9	KT-70081216	1 pc	Adapter	3/4"UF-1"IR
10	KT-56010112	7 pcs	Rubber steel washer	3/4"
11	KT-790913	1 pc	Non-return valve	3/4" 4.5 bar
12	KT-70021212	3 pcs	Adapter	3/4"UF-3/4"UF
13	TS-151095	1 pc	Hydraulic hose	3/4" L=950 Straight-Straight
14	TS-151200-4	1 pc	Hydraulic hose	3/4" L=2000 Straight-Straight
15	KT-53904426	2 pcs	Double clamp	26 mm
16	TS-131045-2	4 pcs	Hydraulic hose	1/2" L=450 Straight-Straight
17	TS-132066	1 pc	Hydraulic hose	1/2" L=660 Straight-90°
18	KT-70901212	3 pcs	Bulkhead connector	3/4"UF-3/4"UF
19	KT-70081212	2 pcs	Adapter	3/4"UF-3/4"IR
20	KT-80311212	1 pc	Ball valve	3/4"
21	KT-70901010	1 pc	Bulkhead connector	5/8"UF-5/8"UF
22	KT-70900808	10 pcs	Bulkhead connector	1/2"UF-1/2"UF
23	KT-70900404	5 pcs	Bulkhead connector	1/4"UF-1/4"UF
24	K6085-064	3 pcs	Screw	MF6S 8x12 10.9 FZB
25	TE-702153	1 pc	Sheet metal bulkheads	
26	TS-131050-2	4 pcs	Hydraulic hose	1/2" L=500 Straight-Straight
27	TS-132040	1 pc	Hydraulic hose	1/2" L=400 Straight-90°
28	TS-112220	1 pc	Hydraulic hose	1/4" L=2200 Straight-90°
29	TS-112095	1 pc	Hydraulic hose	1/4"L=950 Straight-90°
30	TS-111220	1 pc	Hydraulic hose	1/4" L=2200 Straight-Straight
31	TS-113160-2	2 pcs	Hydraulic hose	1/4" L=1600 Straight-45°

Reducing piece

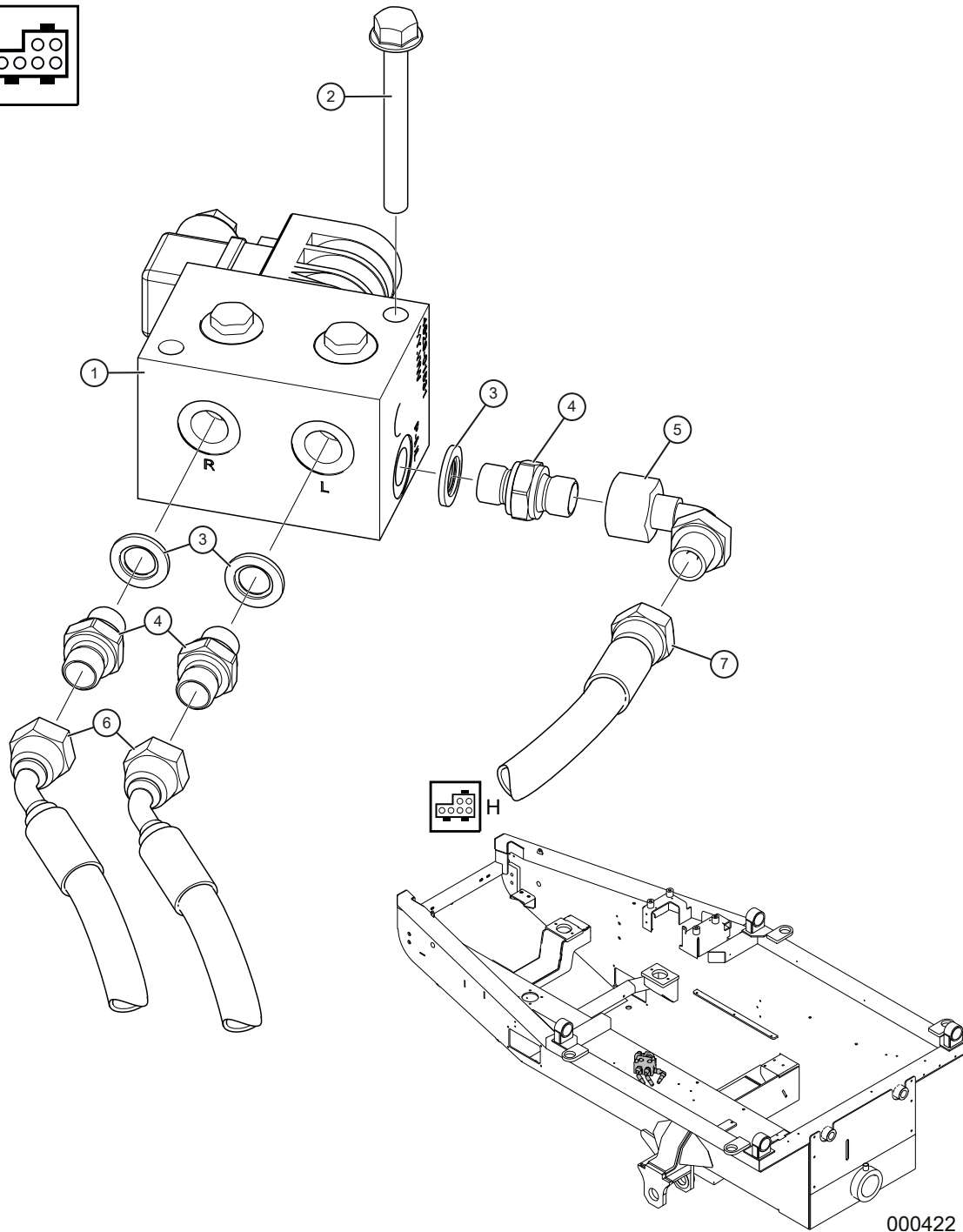
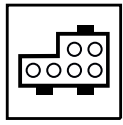


000415

Reducing piece

Pos	Art.	Qty.	Description	Remarks
1	TS-161075	1 pc	Hydraulic hose	3/4" L=800 mm Straight-Straight
2	TS-123050	1 pc	Hydraulic hose	3/8" L=500 mm Straight-45°
3	09-266036	2 pcs	Flange screw	M6SFT 8x20 8.8 FZB
4	TE-702747	1 pc	Support for reducing piece	
5	09-267027	2 pcs	Flange screw	M6SF 10x25 8.8 FZB
6	TE-701235	2 pcs	Spacer engine hood	
7	KT-70021212	2 pcs	Adapter	3/4"UF-3/4"UF
8	KT-56010112	4 pcs	Rubber steel washer	3/4"
9	KT-70020606	1 pc	Adapter	3/8"UF-3/8"UF
10	KT-56010106	1 pc	Rubber steel washer	3/8"
11	KT-83010004	1 pc	Measuring nipple	M16x2-1/4"UF
12	KT-74040606	1 pc	T-adapter	3/8"UF/IR/UF
13	KT-70020406	1 pc	Adapter	1/4"UF-3/8"UF
14	KT-56010104	1 pc	Rubber steel washer	1/4"
15	KT-791202	1 pc	Pressure limiting valve	
-	KT-791202-1	1 pc	Valve block	
-	KT-791202-2	2 pcs	Logic valve	
-	KT-791202-3	3 pcs	Throttle plug	M6x0.6
-	KT-791202-4	1 pc	Reducing valve	
-	KT-790559	1 pc	Measuring nipple	R 1/4"
16	KT-70081212	1 pc	Adapter	3/4"UF-3/4"IR
17	KT-80311212	1 pc	Ball valve	3/4"
18	KT-70901212	1 pc	Bulkhead connector	3/4"UF-3/4"UF

Valve block, articulation lock

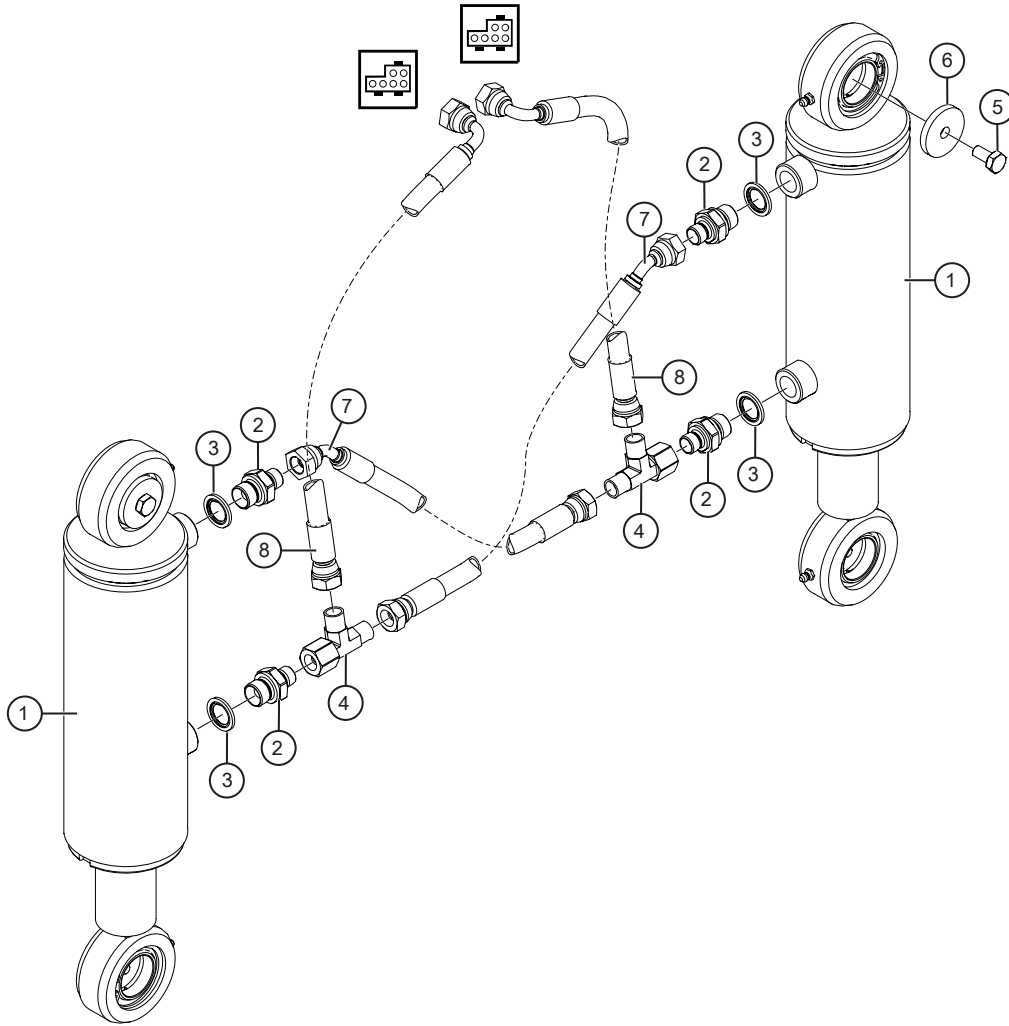


000422

Valve block, articulation lock

Pos	Art.	Qty.	Description	Remarks
1	KT-791217	1 pc	Articulation lock block	
*	KT-791217-1	1 pc	Directional control valve	2/2
2	09-267713	2 pcs	Flange screw	M6SF 8x70 8.8 FZB
3	KT-56010104	3 pcs	Rubber steel washer	1/4"
4	KT-70020404	3 pcs	Adapter	1/4"UF-1/4"UF
5	KT-72050404	1 pc	Angle adapter	1/4"UF-1/4"IR 90°
6	TS-113160-2	2 pcs	Hydraulic hose	1/4" L=1600 mm Straight-45°
7	TS-112090	1 pc	Hydraulic hose	1/4" L=900 mm Straight-90°

Articulation lock cylinders

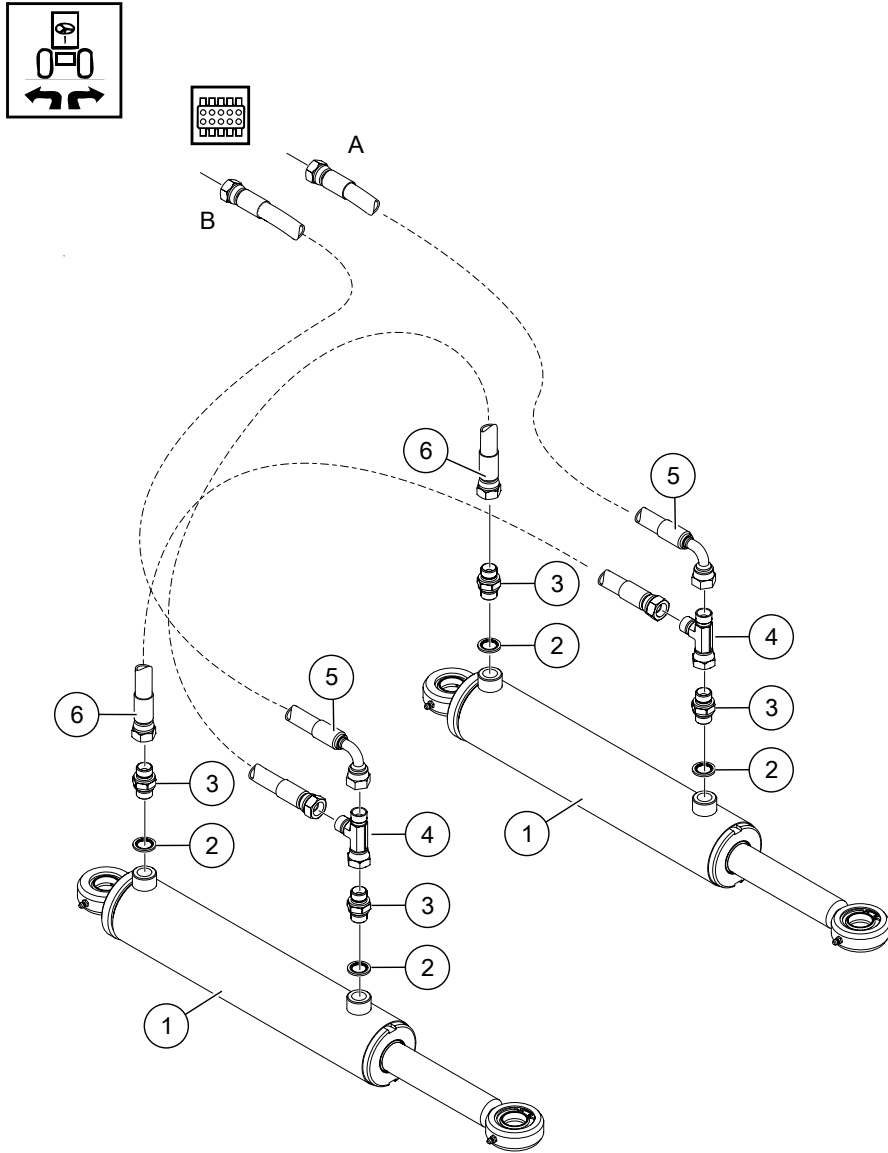


000632

Articulation lock cylinders

Pos	Art.	Qty.	Description	Remarks
1	KT-790851	2 pcs	Articulation lock cylinder	
	KT-790851-1		Gasket kit	Articulation lock cylinder KT-790851
2	KT-70020406	4 pcs	Adapter	1/4" UF-3/8"UF
3	KT-56010106	4 pcs	Rubber steel washer	3/8"
4	KT-740404041	2 pcs	T-adapter	1/4" IR/UF/UF
5	K6074-09	4 pcs	Screw	M6S 8x16 FZB
6	TE-700243	4 pcs	Washer	Articulation lock cylinder
7	TS-113027	2 pcs	Hydraulic hose	1/4" L=270 Straight-45°
8	TS-112030	2 pcs	Hydraulic hose	1/4" L=300 Straight-90°

Steering cylinders

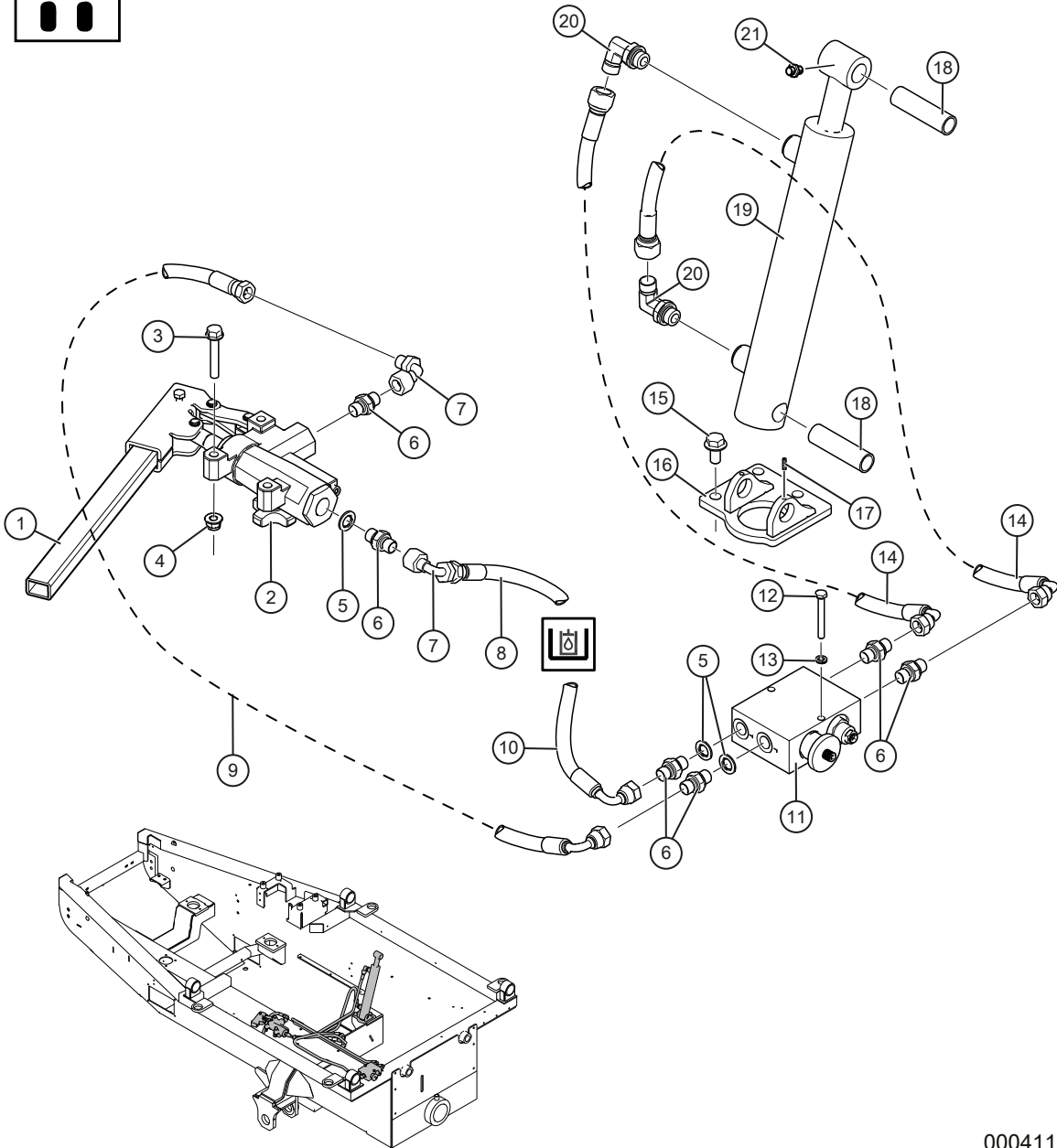
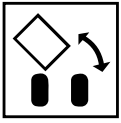


000562

Steering cylinders

Pos	Art.	Qty.	Description	Remarks
1	KT-791075	2 pcs	Steering cylinder	Replaced by KT-791678
	KT-791678	1 pc/2 pcs	Steering cylinder	Replaces KT-791075. Reinforced lug. Trailer part lug may need to be modified
	KT-791462	1 pc	Steering cylinder	With angle sensor
-	KT-791075-1		Gasket kit	Steering cylinder KT-791075 + KT-791678 + KT-791462
2	KT-56010106	4 pcs	Rubber steel washer	3/8"
3	KT-70020606	4 pcs	Adapter	3/8"UF-UF
4	KT-74040606	2 pcs	L-Adapter	3/8" IR-UF-UF
3	TS-122090	2 pcs	Hydraulic hose	3/8" L=900mm Straight-90°
4	TS-127075	2 pcs	Hydraulic hose	3/8" L=750mm Straight-Straight

Cab lift, valve and pump

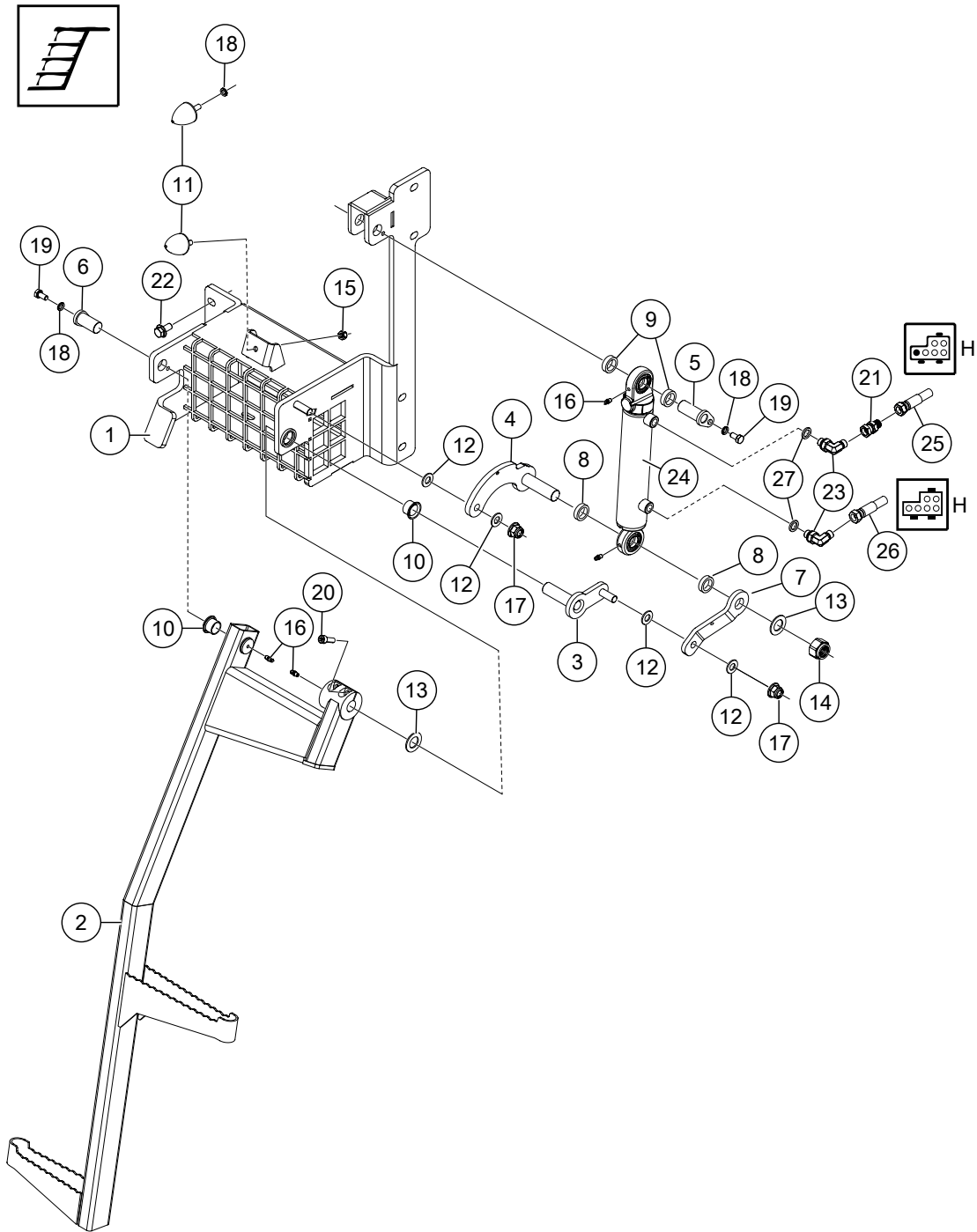


000411

Cab lift, valve and pump

Pos	Art.	Qty.	Description	Remarks
1	KT-790602	1 pc	Lever for hand pump	
2	KT-790601	1 pc	Hand pump	20ccm/twin stroke
3	09-266194	3 pcs	Flange screw	M6SF 8x50 8.8 FZB
4	09-265505	3 pcs	Lock nut	LM6MF 8 FZB
5	KT-56010104	6 pcs	Rubber steel washer	1/4"
6	KT-70020404	6 pcs	Adapter	1/4"UF-1/4"UF
7	KT-72050404	2 pcs	Angle adapter	1/4"UF-1/4IR 90°
8	TS-123032	1 pc	Hydraulic hose	3/8" L=320 mm Straight-45°
9	TS-112095	1 pc	Hydraulic hose	1/4" L=950 mm Straight-90°
10	TS-118177	1 pc	Hydraulic hose	1/4" L=1770 mm spec
11	KT-790603	1 pc	Valve block	
12	09-266779	2 pcs	Screw	M6S 6x50 FZB
13	KT-785036	2 pcs	Locking washer	Nordlock M6
14	TS-118177	2 pcs	Hydraulic hose	1/4" L=1770 mm
15	K6077-001	3 pcs	Flange screw	M6SF 10x20 8.8 FZB
16	TE-700303	1 pc	Lower bracket cab cylinder	
17	K6030-5	2 pcs	Stop screw hex	SK6SS 5 x 6
18	TE-700307	2 pcs	Pin cab cylinder	
19	KT-791205	1 pc	Hydraulic cylinder	
20	KT-72040606	2 pcs	Adjustable adapter	3/8"UF-3/8"UF 90° Stb
	KT-56010106	2 pcs	Rubber steel washer	3/8"
21	K6129	1 pc	Nut	M6M 6 FZB
	T4099298	1 pc	Stop screw	P6SS M6x16

Ladder

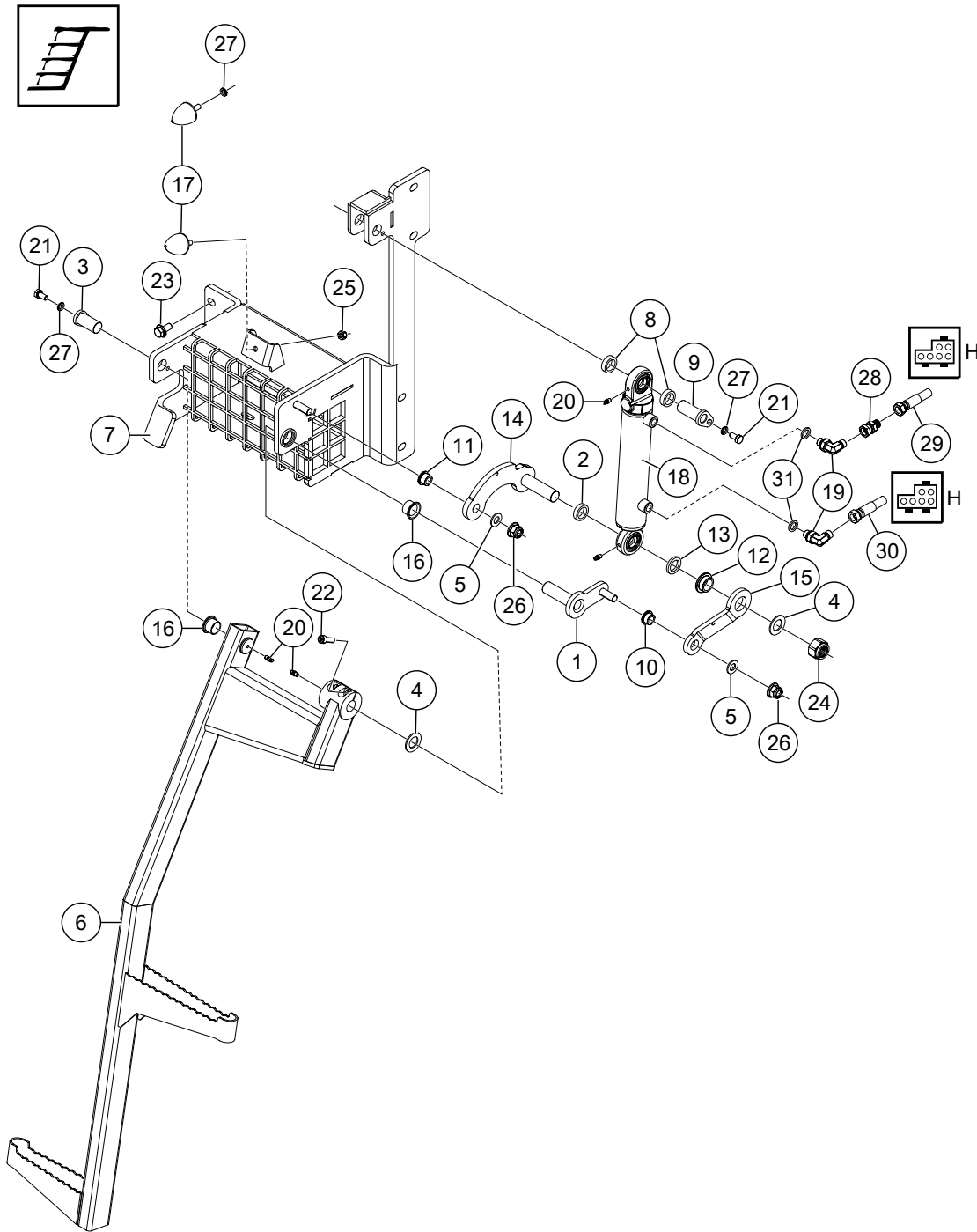


000453

Ladder

Pos	Art.	Qty.	Description	Remarks
	TE-710040		Ladder	Up to machine T23-028
1	TE-701681	1 pc	Bracket	
2	TE-701678	1 pc	Ladder	
3	TE-701509	1 pc	PTO shaft	
4	TE-701523	1 pc	Shaft	
5	TE-701685	1 pc	Pin	
6	TE-701554	1 pc	Pin	
7	TE-701529	1 pc	Link	
8	TE-701528	2 pcs	Spacer	Lower
9	TE-701684	2 pcs	Spacer	Upper
10	KT-791018	2 pcs	Sliding bearing	
11	KT-791025	2 pcs	Rubber stop	
12	TE-701565	4 pcs	Thrust washer	24x12.3x2 Bronze
13	TE-701564	2 pcs	Thrust washer	35x20.2x2 Bronze
14	K6135-12	1 pc	Lock nut	LM6M M20 8 FZB
15	K6134	1 pc	Lock nut	LM6M M8 8 FZB
16	KT-4600-100	4 pcs	Grease nipple	Straight M6
17	09-266030	2 pcs	Flange lock nut	LM6MF M12 8 FZB
18	K6163-004	3 pcs	Nordlock washer	M8
19	K6074-09	2 pcs	Hexagon head screw	M8x16
20	KT-6067-284	2 pcs	Hex screw	MC6S 8x25 12.9 Untr.
21	TE-702738	1 pc	Adapter with restrictor	1/4"-1/4" UF-IR
22	09-265702	6 pcs	Flange screw	M6SF 10x20 8.8 FZB
23	KT-72040404	2 pcs	Adjustable angle adapter	1/4"-1/4" 90° STB U-U
24	KT-791019	1 pc	Hydraulic cylinder	
	KT-791019-1	1 pc	Gasket set	
25	TS-112330	1 pc	Hydraulic hose	1/4" L=3300 mm
26	TS-112317	1 pc	Hydraulic hose	1/4" L=3170 mm
27	KT-56010104	2 pcs	Rubber steel washer	1/4"

Ladder

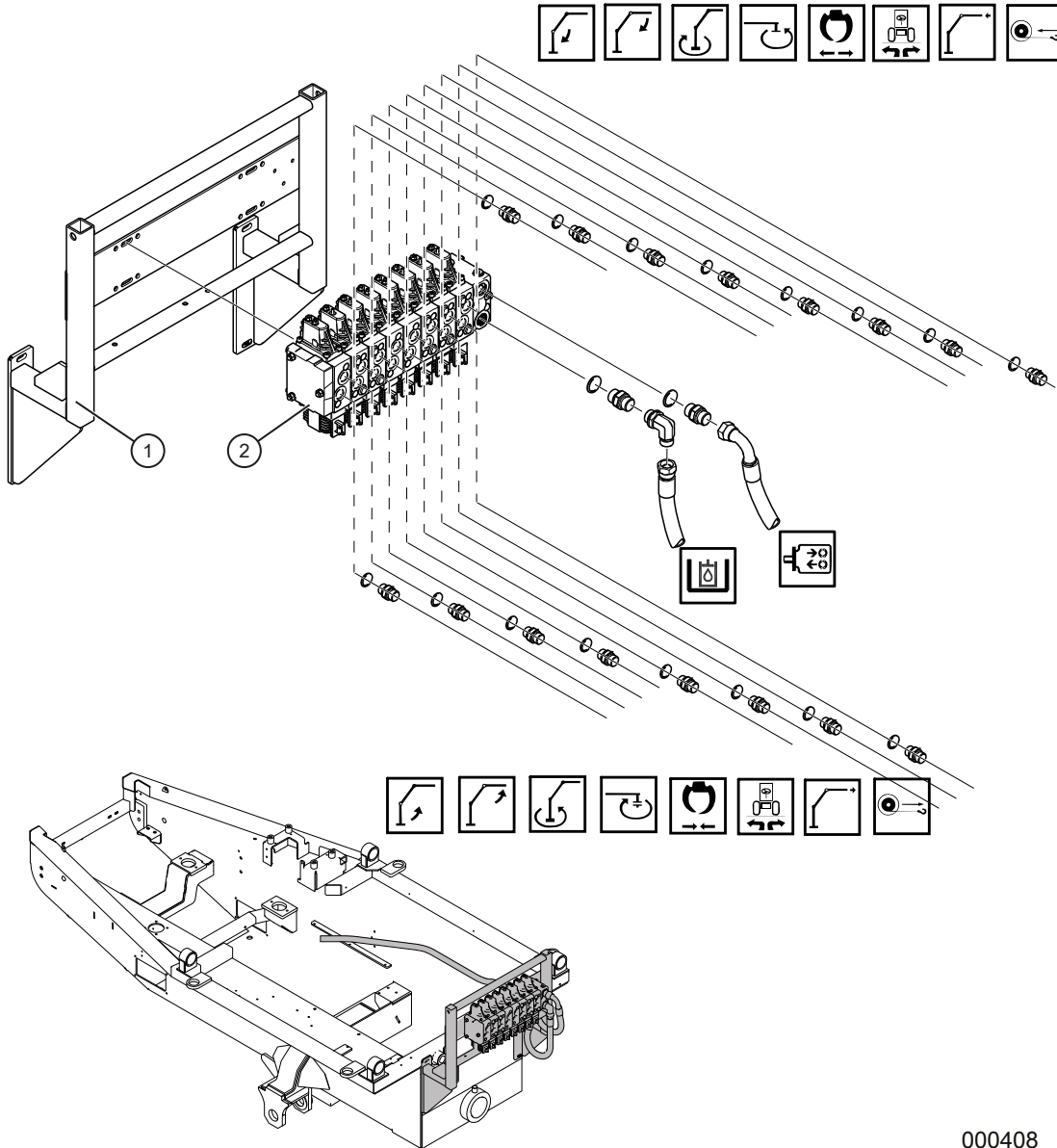
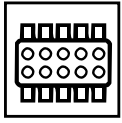


000576

Ladder

Pos	Art.	Qty.	Description	Remarks
	TM-710157		Ladder	From machine T23-029
1	TE-701509	1 pc	PTO shaft	
2	TE-701528	1 pc	Spacer	Lower
3	TE-701554	1 pc	Pin	
4	TE-701564	2 pcs	Thrust washer	35x20.2x2 Bronze
5	TE-701565	2 pcs	Thrust washer	24x12.3x2 Bronze
6	TE-701678	1 pc	Ladder	
7	TE-701681	1 pc	Bracket	
8	TE-701684	2 pcs	Spacer	Upper
9	TE-701685	1 pc	Pin	
10	KT-703485	1 pc	Bronze bushing	12/8.5 mm
11	KT-703486	1 pc	Bronze bushing	12/10.5 mm
12	KT-703487	1 pc	Bronze bushing	20/8.5 mm
13	TE-703488	1 pc	Spacer	Lower
14	TE-703489	1 pc	Shaft	
15	TE-703491	1 pc	Link	
16	KT-791018	2 pcs	Sliding bearing	
17	KT-791025	2 pcs	Rubber stop	
18	KT-791019	1 pc	Hydraulic cylinder	
	KT-791019-1	1 pc	Gasket set	
19	KT-72040404	2 pcs	Adjustable angle adapter	1/4"-1/4" 90° STB U-U
20	KT-4600-100	4 pcs	Grease nipple	Straight M6
21	K6074-09	2 pcs	Hexagon head screw	M8x16
22	KT-6067-284	2 pcs	Hex screw	MC6S 8x25 12.9 Untr.
23	09-265702	6 pcs	Flange screw	M6SF 10x20 8.8 FZB
24	K6135-12	1 pc	Lock nut	LM6M M20 8 FZB
25	K6134	1 pc	Lock nut	LM6M M8 8 FZB
26	09-266030	2 pcs	Flange lock nut	LM6MF M12 8 FZB
27	K6163-004	3 pcs	Nordlock washer	M8
28	TE-702738	1 pc	Adapter with restrictor	1/4"-1/4" UF-IR
29	TS-112330	1 pc	Hydraulic hose	1/4" L=3300 mm
30	TS-112317	1 pc	Hydraulic hose	1/4" L=3170 mm
31	KT-56010104	2 pcs	Rubber steel washer	1/4"

Crane valve with connections

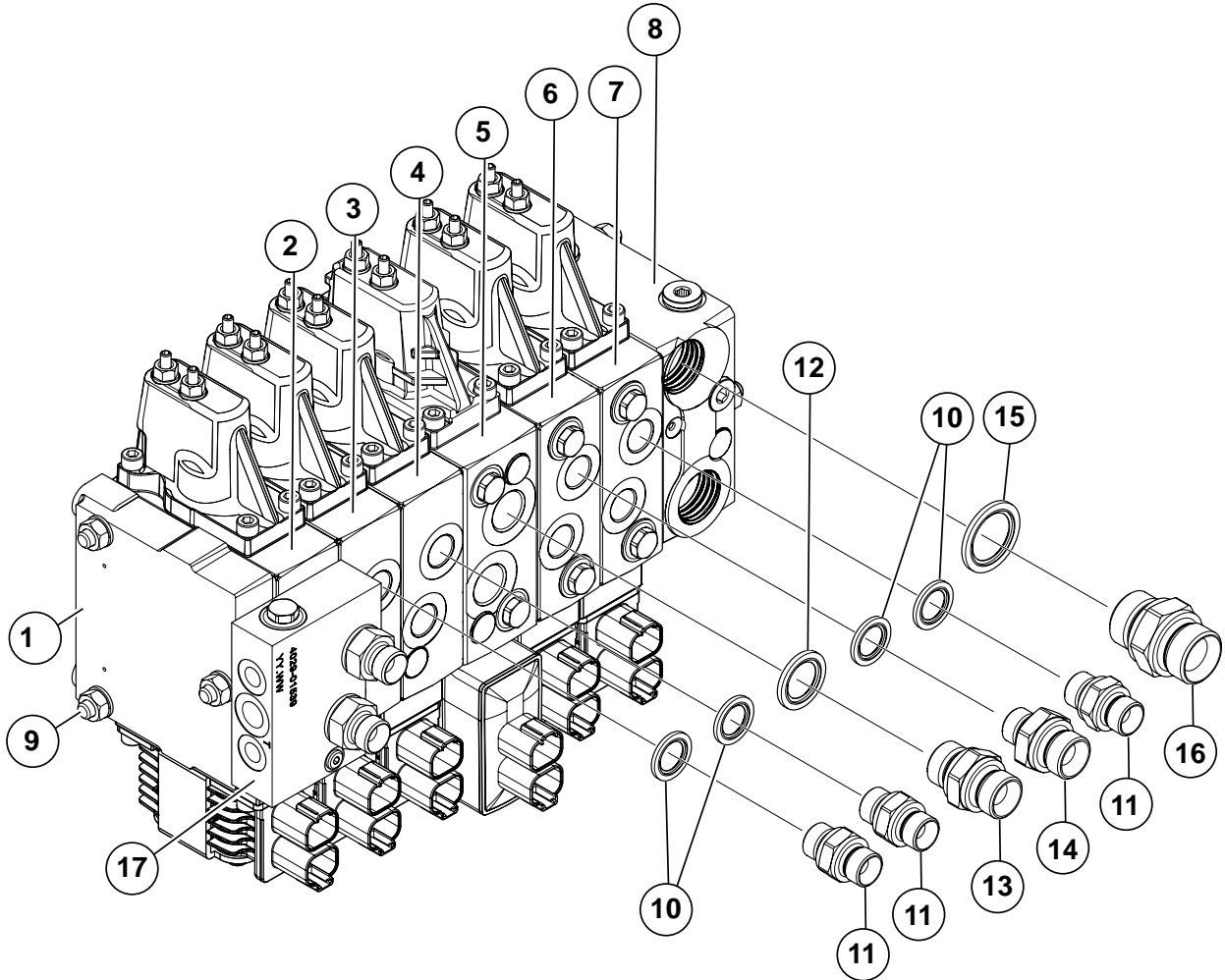
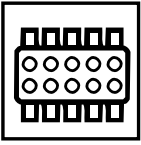


000408

Crane valve with connections

Pos	Art.	Qty.	Description	Remarks
1		1 pc	Mounting frame valve assembly, without rubber cover	See <i>Frame valve assembly, without rubber cover</i> , page 145.
		1 pc	Bracket valve assembly, with rubber cover	See <i>Frame valve assembly, without rubber cover</i> , page 147.
2	KT-791207		Crane valve	P40. CT/CW, FT/FW. See <i>Crane valve - P40 - CT/CW/FT/FW</i> , page 101.
	KT-791307		Crane valve	P40 with option. CT/CW, FT/FW. See <i>Crane valve - P40 - CT/CW/FT/FW</i> , page 105.

Crane valve - P40 - CT/CW/FT/FW

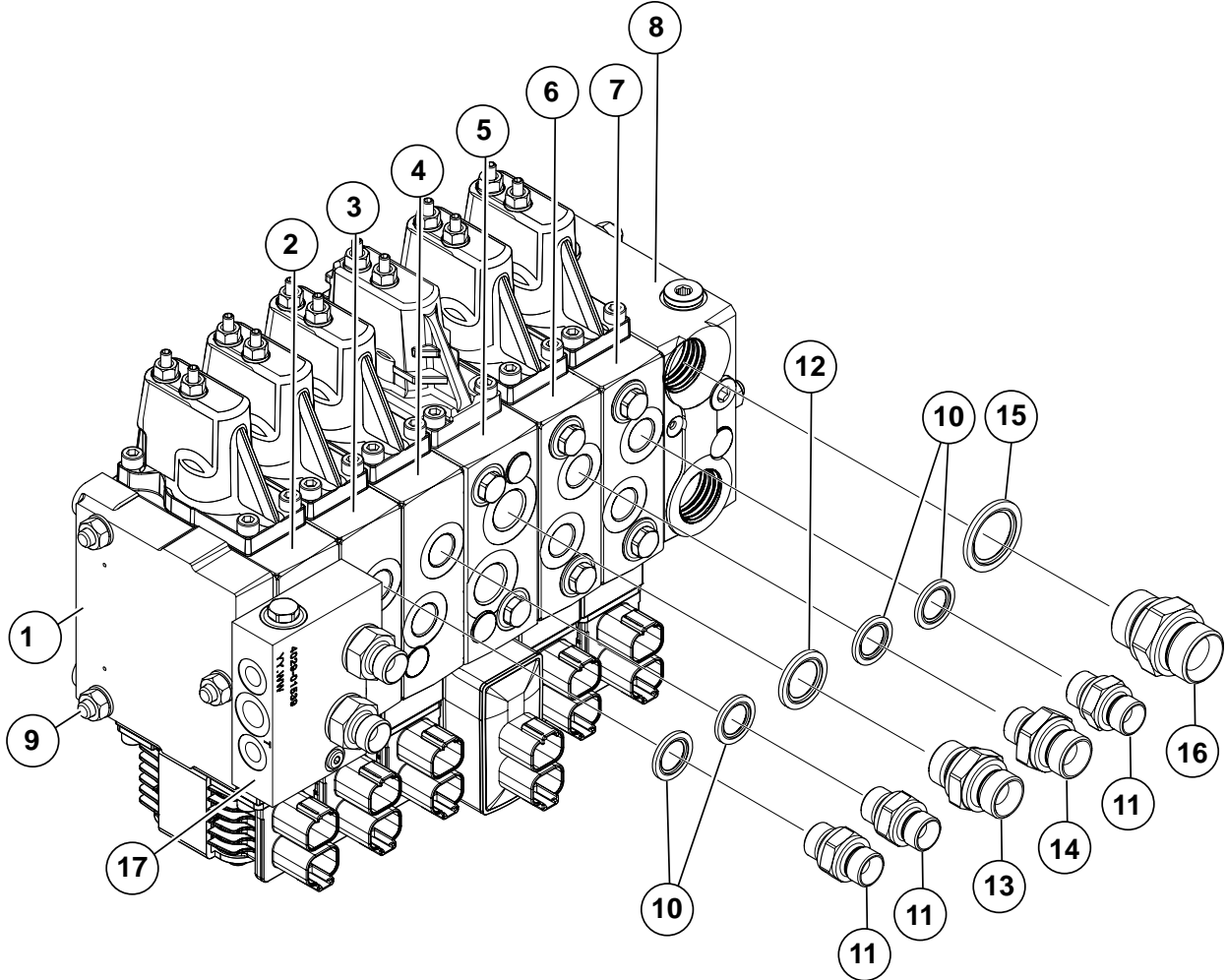
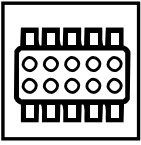


000580

Crane valve - P40 - CT/CW/FT/FW

Pos	Art.	Qty.	Description	Remarks
	KT-791207	1 pc	Crane valve	PVG16 6 Complete
1	KT-790754	1 pc	End plate	PVG16
2	KT-791222	1 pc	Basic module	Slew/Machine PVG16
	KT-240032		Power module	
	KT-791223		Lever housing	
	KT-791318		Main spool	25 L/min
	KT-791213		Cable	
	KT-791425		Termination resistor	
	KT-790887	1 pc	Plastic plug	
3	KT-791222	1 pc	Basic module	Grapple PVG16
	KT-240032		Power module	
	KT-791223		Lever housing	
	KT-791304		Main spool	65 l/min
	KT-791213		Cable	
	KT-790887	1 pc	Plastic plug	
4	KT-791222	1 pc	Basic module	Rotator PVG16
	KT-240032		Power module	
	KT-791223		Lever housing	
	KT-791317		Main spool	10 l/min
	KT-791213		Cable	
	KT-790887	1 pc	Plastic plug	
5	KT-790960	1 pc	Basic module	Stick PVG32
	KT-240033		Power module	
	KT-791424		Lever housing	
	KT-791423		Main spool	40 l/min
	KT-790725		Relief valve A-port	210 bar
	KT-790725		Relief valve B-port	210 bar
	KT-791213		Cable	
	KT-790887	2 pcs	Plastic plug	
6	KT-791303	1 pc	Basic module	Boom PVG16
	KT-240032		Power module	
	KT-791223		Lever housing	
	KT-791224		Main spool	40 l/min
	KT-791319		Relief valve A-port	100 bar
	KT-791281		Relief valve B-port	190 bar
	KT-791213		Cable	

Crane valve - P40 - CT/CW/FT/FW

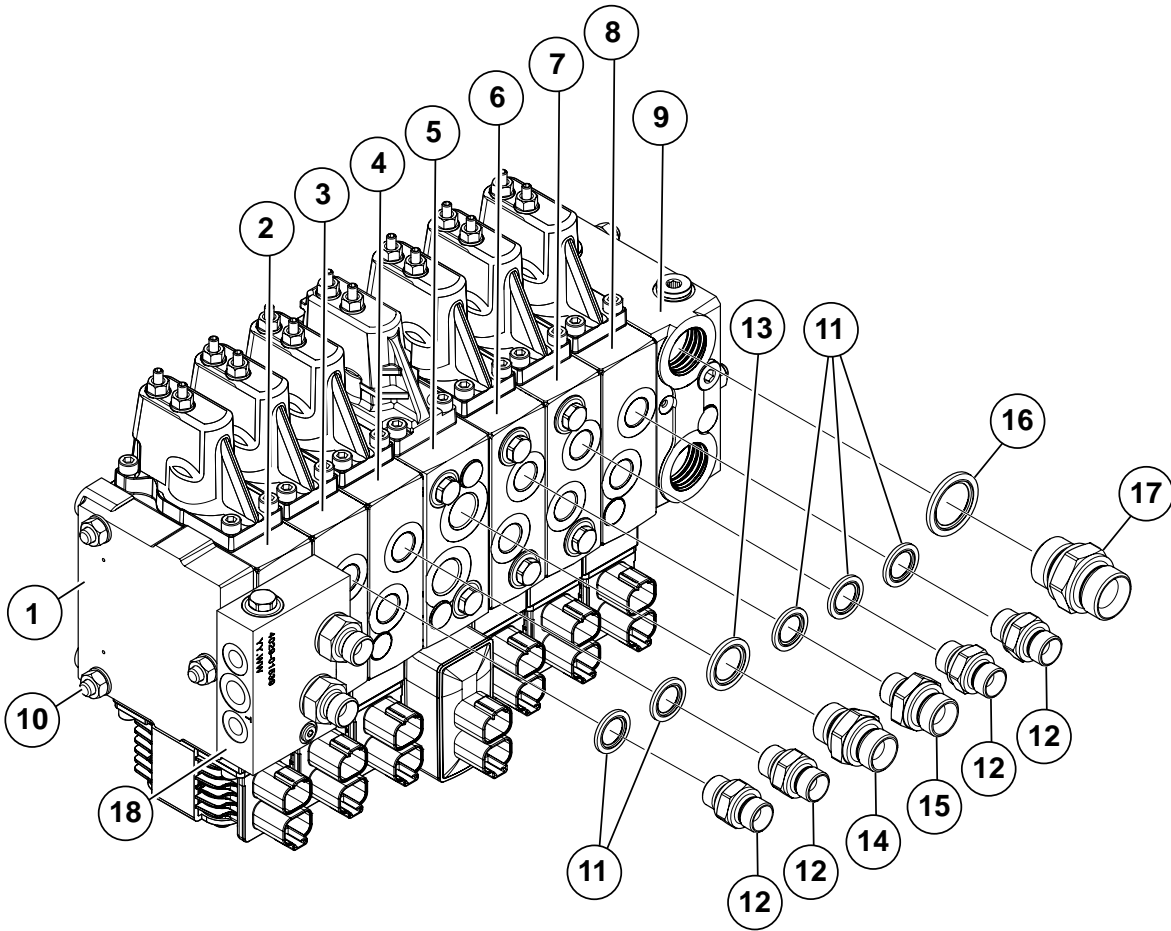
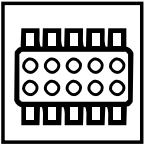


000580

Crane valve - P40 - CT/CW/FT/FW

Pos	Art.	Qty.	Description	Remarks
	KT-790887	1 pc	Plastic plug	
7	KT-791303	1 pc	Basic module	Crane Slew PVG16
	KT-240032		Power module	
	KT-791223		Lever housing	
	KT-791318		Main spool	25 L/min
	KT-791102		Relief valve A-port	140 bar
	KT-791102		Relief valve B-port	140 bar
	KT-791213		Cable	
	KT-790887	1 pc	Plastic plug	
8	KT-790818	1 pc	Frame side	Inlet
9	KT-790977		Draw rod	Including O-rings/seals
10	KT-56010106	8 pcs	Rubber steel washer	3/8"
11	KT-70020606	6 pcs	Adapter	3/8"UF-3/8"UF
12	KT-56010108	2 pcs	Rubber steel washer	1/2"
13	KT-70020808	2 pcs	Adapter	1/2"UF-1/2"UF
14	KT-70020608	2 pcs	Adapter	3/8"UF-1/2"UF
15	KT-56010112	2 pcs	Rubber steel washer	3/4"
16	KT-70021212	2 pcs	Adapter	3/4"UF-3/4"UF
17	KT-791228	1 pc	External relief block	
	KT-790011		Relief valve A-port	160 bar
	KT-790011		Relief valve B-port	160 bar

Crane valve - P40 - CT/CW/FT/FW

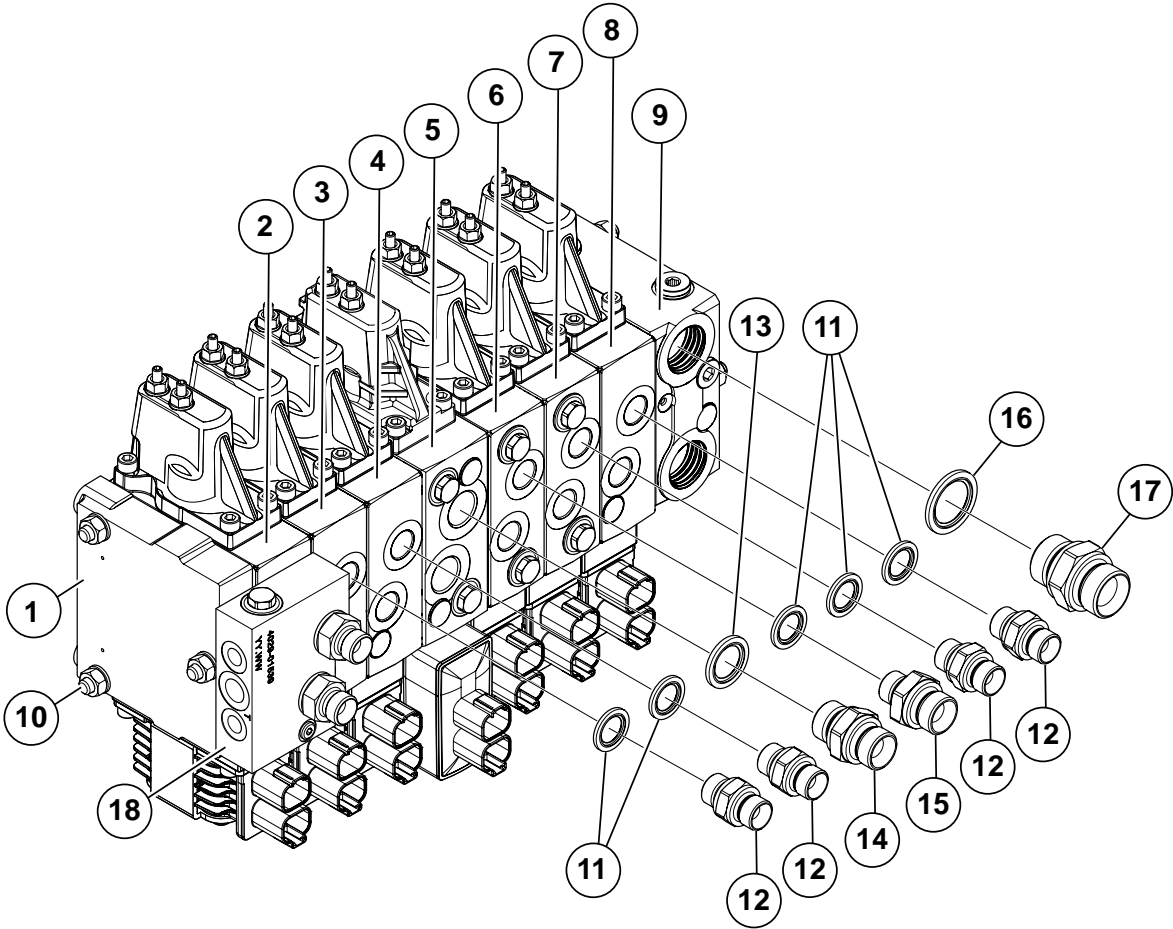
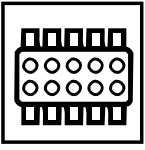


000581

Crane valve - P40 - CT/CW/FT/FW

Pos	Art.	Qty.	Description	Remarks
	KT-791307	1 pc	Crane valve	PVG16 7 Complete
1	KT-790754	1 pc	End plate	PVG16
2	KT-791222		Basic module	Slew/Machine PVG16
	KT-240032		Power module	
	KT-791223		Lever housing	
	KT-791318		Main spool	25 L/min
	KT-791213		Cable	
	KT-791425		Termination resistor	
	KT-790887	1 pc	Plastic plug	
3	KT-791222		Basic module	Grapple PVG16
	KT-240032		Power module	
	KT-791223		Lever housing	
	KT-791304		Main spool	65 l/min
	KT-791213		Cable	
	KT-790887	1 pc	Plastic plug	
4	KT-791222		Basic module	Rotator PVG16
	KT-240032		Power module	
	KT-791223		Lever housing	
	KT-791317		Main spool	10 l/min
	KT-791213		Cable	
	KT-790887	1 pc	Plastic plug	
5	KT-790960		Basic module	Stick PVG32
	KT-240033		Power module	
	KT-791424		Lever housing	
	KT-791423		Main spool	40 l/min
	KT-790725		Relief valve A-port	210 bar
	KT-790725		Relief valve B-port	210 bar
	KT-791213		Cable	
	KT-790887	2 pcs	Plastic plug	
6	KT-791303		Basic module	Boom PVG16
	KT-240032		Power module	
	KT-791223		Lever housing	
	KT-791224		Main spool	40 l/min
	KT-791319		Relief valve A-port	100 bar
	KT-791281		Relief valve B-port	190 bar
	KT-791213		Cable	

Crane valve - P40 - CT/CW/FT/FW



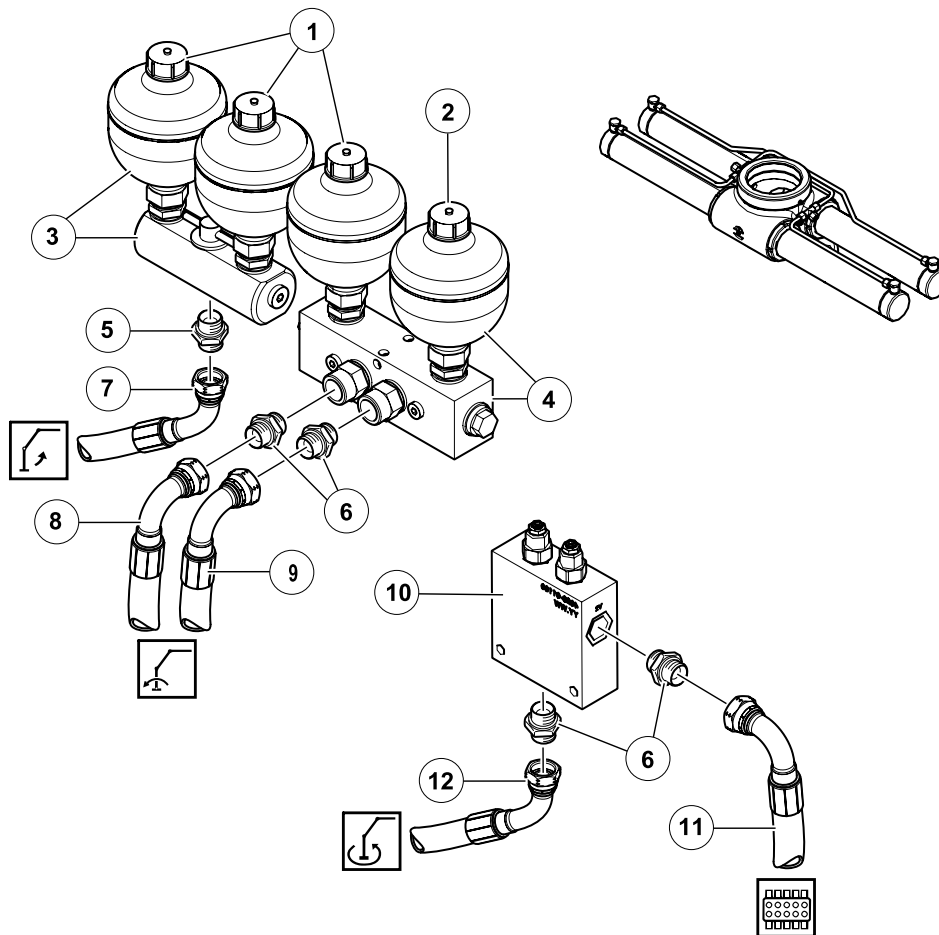
000581

Crane valve - P40 - CT/CW/FT/FW

Pos	Art.	Qty.	Description	Remarks
	KT-790887	1 pc	Plastic plug	
7	KT-791303		Basic module	Crane Slew PVG16
	KT-240032		Power module	
	KT-791223		Lever housing	
	KT-791318		Main spool	25 L/min
	KT-791102		Relief valve A-port	140 bar
	KT-791102		Relief valve B-port	140 bar
	KT-791213		Cable	
	KT-790887	1 pc	Plastic plug	
8	KT-791222		Basic module	Option PVG16
	KT-240032		Power module	
	KT-791223		Lever housing	
	KT-791224		Main spool	40 l/min
	KT-791213		Cable	
	KT-790887	1 pc	Plastic plug	
9	KT-790818	1 pc	Frame side	Inlet
10	KT-790977		Draw rod	Including O-rings/seals
11	KT-56010106	10 pcs	Rubber steel washer	3/8"
12	KT-70020606	8 pcs	Adapter	3/8"UF-3/8"UF
13	KT-56010108	2 pcs	Rubber steel washer	1/2"
14	KT-70020808	2 pcs	Adapter	1/2"UF-1/2"UF
15	KT-70020608	2 pcs	Adapter	3/8"UF-1/2"UF
16	KT-56010112	2 pcs	Rubber steel washer	3/4"
17	KT-70021212	2 pcs	Adapter	3/4"UF-3/4"UF
18	KT-791428	1 pc	External relief block	
	KT-790011		Relief valve A-port	160 bar
	KT-790011		Relief valve B-port	160 bar

5 CRANE

Accumulators and overcentre valve

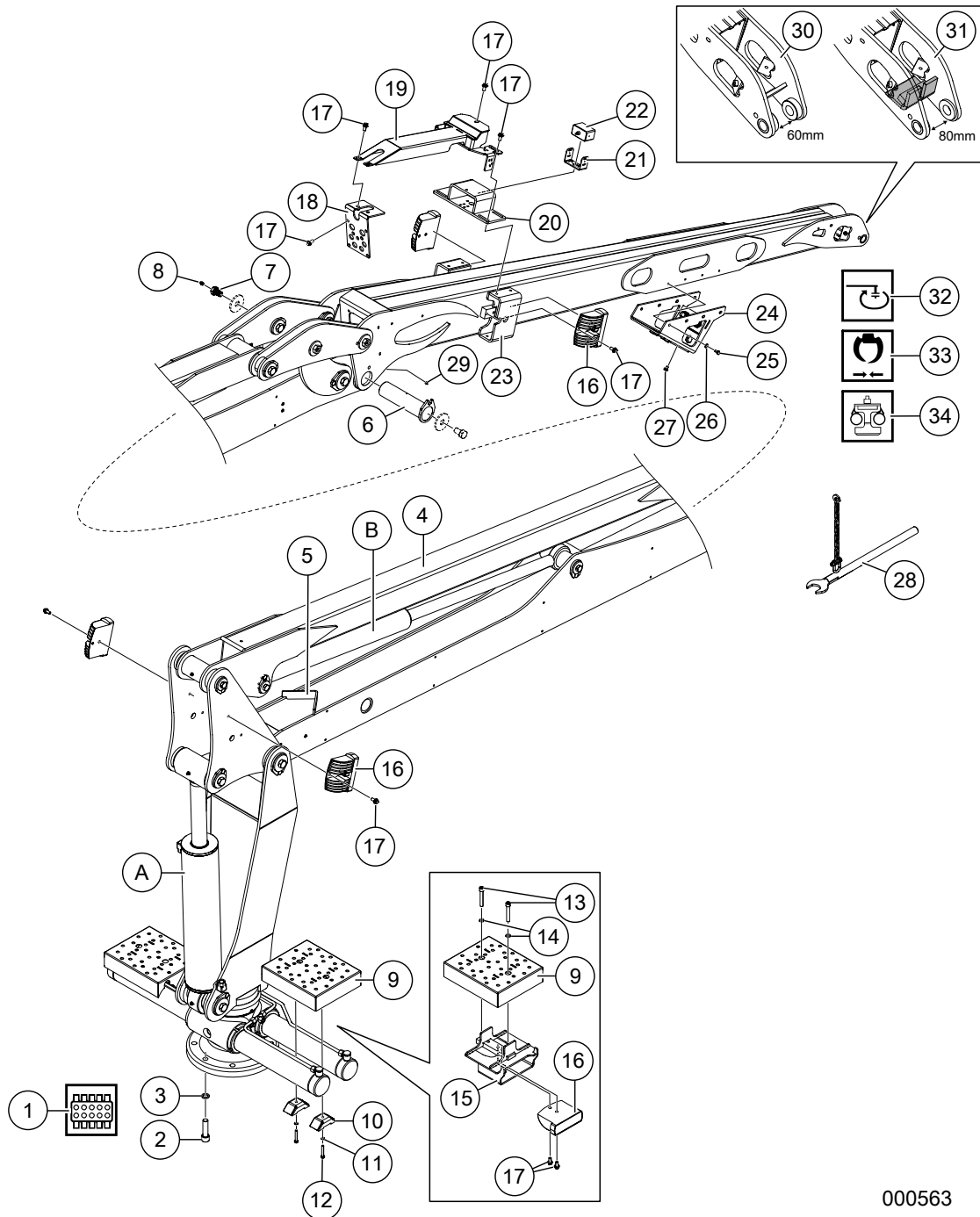


000114

Accumulators and overcentre valve

Pos	Art.	Qty.	Description	Remarks
1	KT-791197	3 pcs	Accumulator	4.0 MPa. Extra equipment
2	KT-791198	1 pc	Accumulator	5.5 MPa. Extra equipment
3	KT-791110	1 pc	Load absorber crane LD 650	Extra equipment
4	KT-791111	1 pc	Sway damper crane 652	Extra equipment
5	KT-70020808	1 pc	Adapter	1/2"UF-1/2"UF
6	KT-70020608	4 pcs	Adapter	3/8"UF-1/2"UF
7	TS-133170	1 pc	Hydraulic hose	1/2" L=1700 mm
8	TS-128070	1 pc	Hydraulic hose	3/8" L=700 mm
9	TS-128055	1 pc	Hydraulic hose	3/8" L=550 mm
10	KT-791100	1 pc	Overcenter w Crossover, double relief	
	KT-791101	1 pc	Standard housing	1/2" to the overcentre
	KT-790605	1 pc	Overcentre valve	3:1 set 130 bar
	KT-791102	2 pcs	Relief valve	140 bar
11	TS-122095	1 pc	Hydraulic hose	3/8" L=950 mm
12	TS-122060	1 pc	Hydraulic hose	3/8" L=600 mm

Crane P40 Combi/Harvester

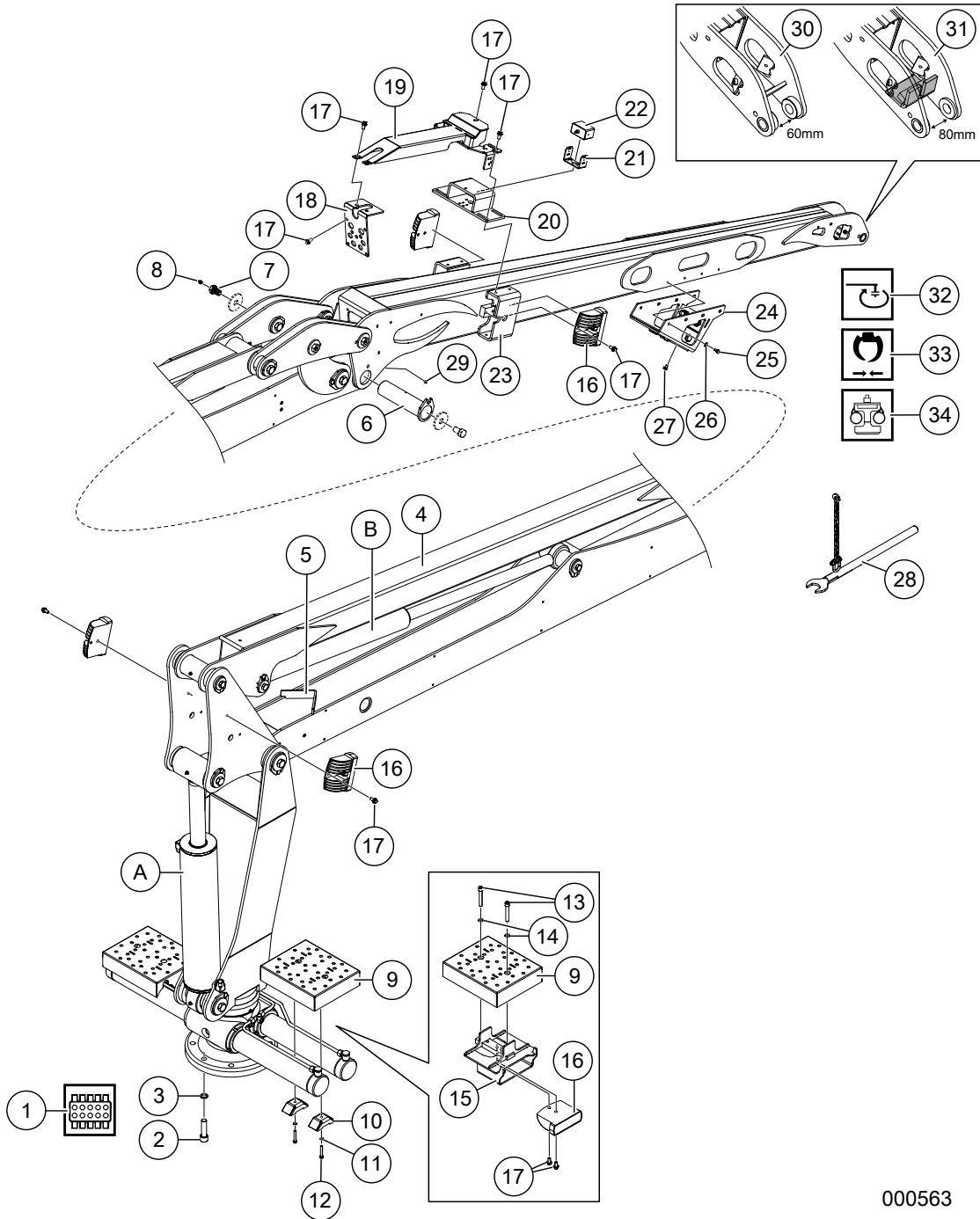


000563

Crane P40 Combi/Harvester

Pos	Art.	Qty.	Description	Remarks
				The parts below are modified by Terri, for other spare parts see the subcontractor documentation for crane P40.
1		1 pc	Crane valve	See <i>Crane valve with connections</i> , page 99.
2	09-267810	1 pc	Hex screw	MC6S 20x75 10.9 FZB
	09-267808	1 pc	Screw	M6SH 20x75 10.9 FZB
3	K6163-0020	8 pcs	Nordlock washer	M20
4	TE-702559	1 pc	Rod	
5	TE-702824	1 pc	Guide plate	Welded
6	TE-702232	1 pc	Axle	
7	TE-702261	1 pc	Lubrication screw	M6S 20x30 8.8 FZB
8	KT-59020007	1 pc	Grease nipple	1/8"
9	TE-702775	2 pcs	Step guard	
10	TE-700309	4 pcs	Bracket	
11	K6163-004	4 pcs	Nordlock washer	M8
12	K6076-330	4 pcs	Screw	M6S 8x50 8.8 FZB
13	09-266960	4 pcs	Hex screw	MC6S 12x75 8.8 FZB
14	K6163-000	4 pcs	Nordlock washer	M12
15	TE-702778	2 pcs	Guard work lights	
16	KT-791146	6 pcs	Work light	LED
17	09-265702	21 pcs	Flange screw	M6SFT 10x20 8.8 FZB
18	TE-702873	1 pc	Bulkhead plate	
	KT-70901010		Bulkhead connector	5/8"UF-5/8"UF
	KT-70900606		Bulkhead connector	3/8"UF-3/8"UF
	KT-70900808		Bulkhead connector	1/2"UF-1/2"UF
	KT-70901212		Bulkhead connector	3/4"UF-3/4"UF
	KT-70900404		Bulkhead connector	1/4"UF-1/4"UF
	KT-55522316		Quick-release coupling	1" Female
	KT-55520716V		Gasket kit quick-release coupling	1"
	KT-55522216		Quick-release coupling	1" Male
	KT-55520308		Quick-release coupling	1/2" female
	KT-55520708V		Gasket kit quick-release coupling	1/2"
	KT-55520208		Quick-release coupling	1/2" Male
	KT-55500304		Quick-release coupling	1/4" female
	KT-55500204		Quick-release coupling	1/4" Male
19	TE-702874	1 pc	Cable guard	Work lights/camera
20	TE-702430	1 pc	Camera mount	
21	TE-702438	1 pc	Mount	

Crane P40 Combi/Harvester

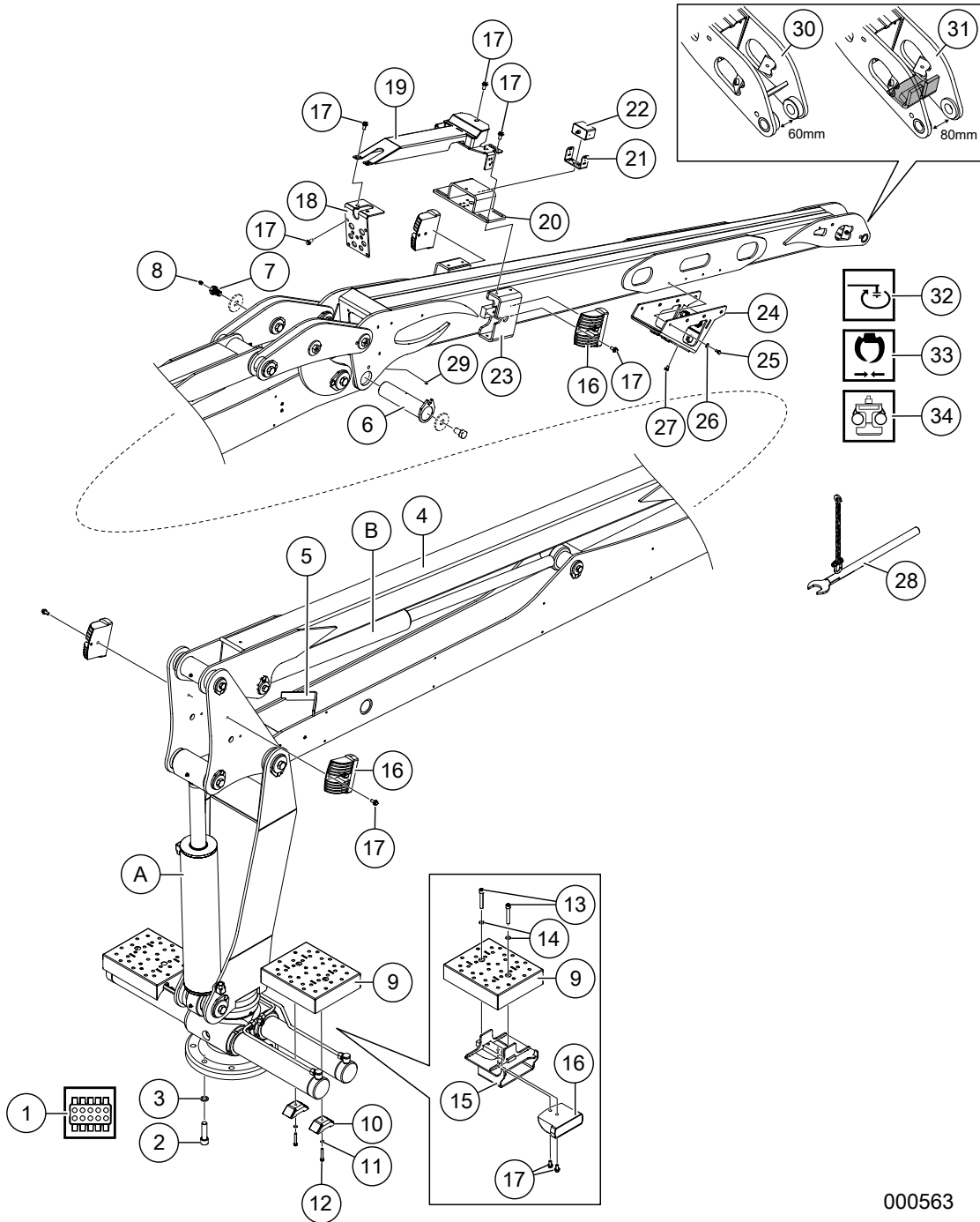


000563

Crane P40 Combi/Harvester

Pos	Art.	Qty.	Description	Remarks
22	KT-791116-2	1 pc	Camera/Reversing camera	HD
23	TE-702588	2 pcs	Guard work lights	
24	TE-702696	1 pc	Hose bracket	
	KT-70900606		Bulkhead connector	3/8"UF-3/8"UF
	KT-70900808		Bulkhead connector	1/2"UF-1/2"UF
	KT-70900404		Bulkhead connector	1/4"UF-1/4"UF
	KT-791014	1 pc	Splice connector	
	KT-791013	1 pc	Crimp connector	
	KT-790961	9 pcs	Pin male	
	KT-790949	1 pc	Splice connector	
	KT-791013	1 pc	Crimp connector	
	KT-15519378	1 pc	Cable gland	
	KT-14450765	9 pcs	Crimp contact	
25	K6074-09	8 pcs	Screw	M6S 8x16 FZB
26	K6151	8 pcs	Flat washer	BRB M8 FZB
27	09-265597	1 pc	Flange screw	M6SF 8x12
28	TE-702800	1 pc	Tool for tightening of quick-release connectors	
29	KT-791184	1 pc	Hexagonal plug	EXT tapered
30	TE-702557	1 pc	Stick	60 mm. Unbraked/single braked link
31	TE-702556	1 pc	Stick	80 mm. Dual braked link
32		1 pc	Rotator	See <i>Rotator</i> , page 127.
		1 pc	Link	See <i>Link/Slewing damper</i> , page 121.
		1 pc	Axle	See <i>Axle</i> , page 125.
33		1 pc	Grapple	See sub-supplier documentation
34	KT-785000	1 pc	Log Max 928 unit/Logmate 500	See <i>Log Max 928, felling link</i> , page 215
	KT-785000-2	1 pc	Log Max 2000T unit/Logmate 510	See <i>Log Max 2000T, felling link</i> , page 217
			HOSES	
1-A	TS-131155	1 pc	Hydraulic hose	1/2" L=1500 R-R. Lift cylinder -
	TS-131115	1 pc	Hydraulic hose	1/2" L=1150 R-R. Lift cylinder +
1-B	TS-131246	2 pcs	Hydraulic hose	1/2" L=2460 R-R. Tilt cylinder
1-18	TS111570	2 pcs	Hydraulic hose	1/4" L=5700 R-R.
	TS-121570	2 pcs	Hydraulic hose	3/8" L=5700 R-R.
	TS-131610	1 pc	Hydraulic hose	1/2" L=6100 R-R
	TS-141605	1 pc	Hydraulic hose	5/8" L=6050 R-R
	TS-161620	1 pc	Hydraulic hose	3/4" L=6200 R-R. Pressure

Crane P40 Combi/Harvester

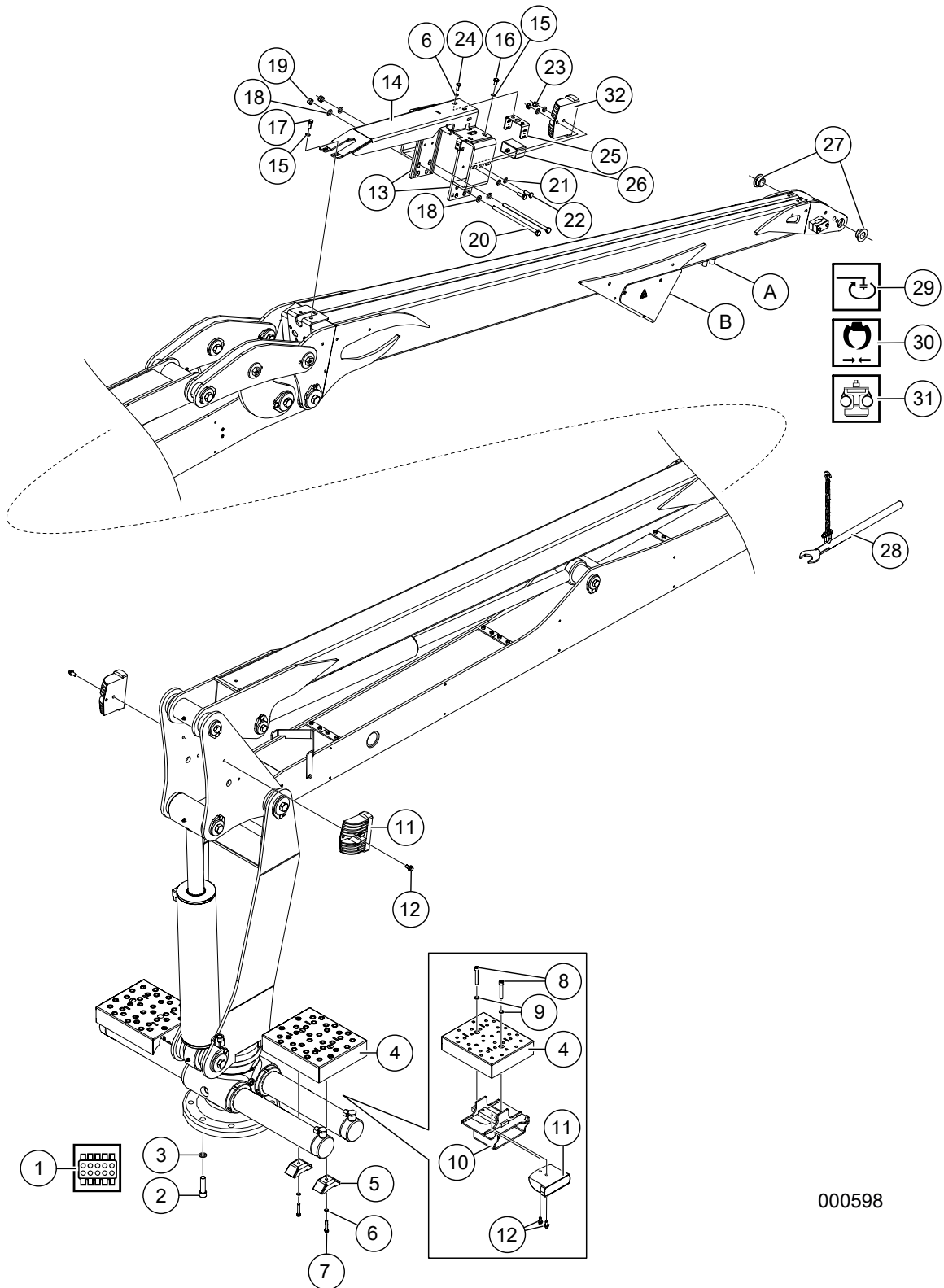


000563

Crane P40 Combi/Harvester

Pos	Art.	Qty.	Description	Remarks
	TS-161620	1 pc	Hydraulic hose	3/4" L=6200 R-R. Return
18-24	TS-118215	2 pcs	Hydraulic hose	1/4" L=2150 R-90 3/8". Rotator
	TS-122210	2 pcs	Hydraulic hose	3/8" L=2100 R-90 3/8". Grapple
	TS-131195	1 pc	Hydraulic hose	1/2" L=1950 R-R. Overflow
	TS-148165	1 pc	Hydraulic hose	5/8" L=1650 R-post. Electricity
	TS-151190	2 pcs	Hydraulic hose	3/4" L=1900 R-R
	TS-111195	1 pc	Hydraulic hose	1/4" L=1950 R-R. Urea
24-32	TS-123110	4 pcs	Hydraulic hose	3/8" L=1100 R-45. Rotator
24-34			Hydraulic hose	See <i>Log Max 2000T, felling link</i> , page 217
24-33	TS-121045	1 pc	Hydraulic hose	3/8" L=450 R-R. Grapple
	TS-121080	1 pc	Hydraulic hose	3/8" L=800 R-R. Grapple

Crane P40 Combi/Harvester

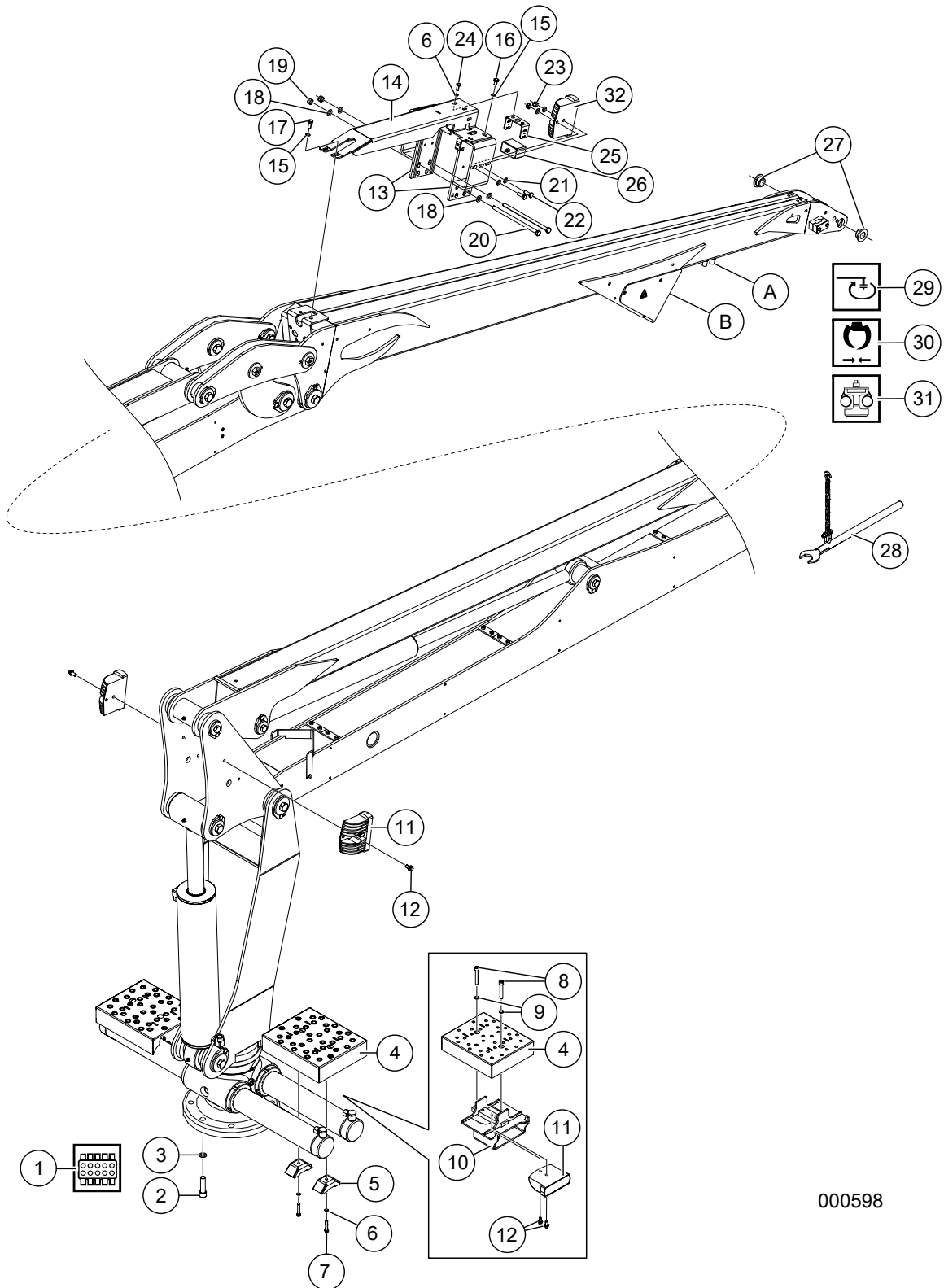


000598

Crane P40 Combi/Harvester

Pos	Art.	Qty.	Description	Remarks
				The parts below are modified by Terri, for other spare parts see the subcontractor documentation for crane P40.
1		1 pc	Crane valve	See <i>Crane valve with connections</i> , page 99.
2	09-267810	7 pcs	Hex screw	MC6S 20x75 10.9 FZB
	09-267808	1 pc	Screw	M6SH 20x75 10.9 FZB
3	K6163-0020	8 pcs	Nordlock washer	NL M20
4	TE-702775	2 pcs	Step guard	
5	TE-700309	4 pcs	Bracket	
6	K6163-004	6 pcs	Nordlock washer	NL M8
7	K6076-2	4 pcs	Screw	M6S 8x45 8.8 FZB
8	09-266960	4 pcs	Hex screw	MC6S 12x75 8.8 FZB
9	K6163-000	4 pcs	Nordlock washer	NL M12
10	TE-702778	2 pcs	Guard work lights	
11	KT-791146	4 pcs	Work light	LED
12	09-265702	6 pcs	Flange screw	M6SFT 10x20 8.8 FZB
13	TE-703218	2 pcs	Guard work lights	
14	TE-703226	1 pc	Guard, hose	
15	K6163-003	6 pcs	Nordlock washer	NL M10
16	K6077-01	4 pcs	Screw	M6S 10x16 8.8 FZB
17	K6078-02	2 pcs	Screw	M6S 10x25 8.8 FZB
18	K6152-050	4 pcs	Flat washer	BRB M12 FZB
19	K6135-1	2 pcs	Lock nut	M6M 12 Nyloc
20	09-267589	2 pcs	Screw	M6S 12x230 8.8 FZB
21	K6152	8 pcs	Flat washer	BRB M10 FZB
22	K6077-02	4 pcs	Screw	M6S 10x30 8.8 FZB
23	K6135	4 pcs	Lock nut	LM6M 10 8 FZB
24	K6075	2 pcs	Screw	M6S 8x20 8.8 FZB
25	TE-702438	1 pc	Mount	
26	KT-791116-2	1 pc	Camera/Reversing camera	HD
27	KT-791434	2 pcs	Spacer sleeve	Crane tip
28	TE-702800	1 pc	Tool for tightening of quick-release connectors	
29		1 pc	Rotator	See <i>Rotator</i> , page 127.
		1 pc	Link	See <i>Link/Slewing damper</i> , page 121.
		1 pc	Axle	See <i>Axle</i> , page 125.
30		1 pc	Grapple	See sub-supplier documentation
31	KT-785000-2	1 pc	Log Max 2000T unit/Logmate 510	See <i>Log Max 2000T, felling link</i> , page 217
32	KT-791551	2 pcs	Work lights	LED

Crane P40 Combi/Harvester

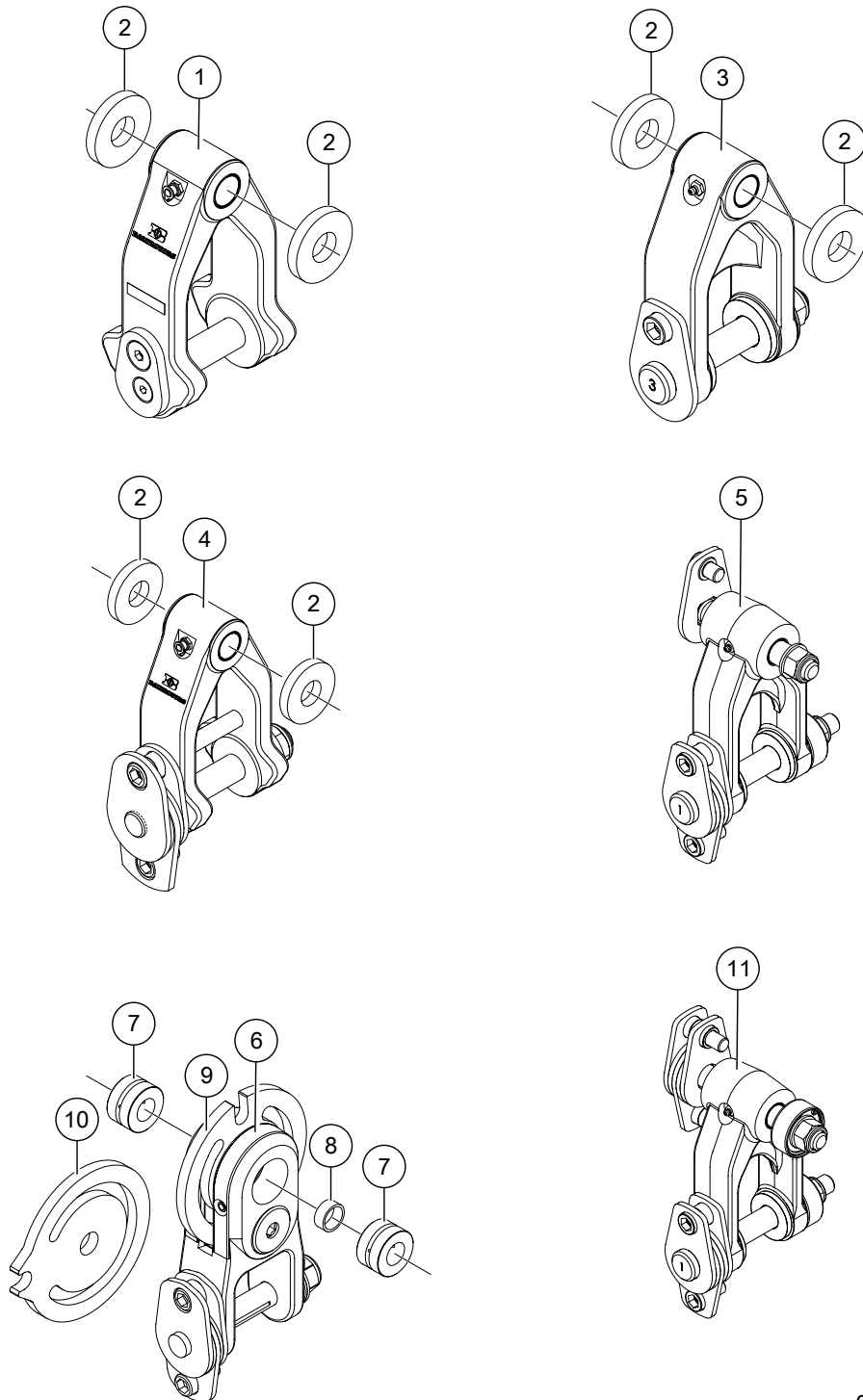


000598

Crane P40 Combi/Harvester

Pos	Art.	Qty.	Description	Remarks
			HOSES	
A-29	TS-122110	4 pcs	Hydraulic hose	3/8" L=1100 Straight-90°. Rotator
29-30	TS-121045	1 pc	Hydraulic hose	3/8" L=450 Straight-Straight. Grapple
	TS-121080	1 pc	Hydraulic hose	3/8" L=800 Straight-Straight Grapple
B-31			Hydraulic hose	See <i>Log Max 2000T, felling link</i> , page 217

Link/Slewing damper

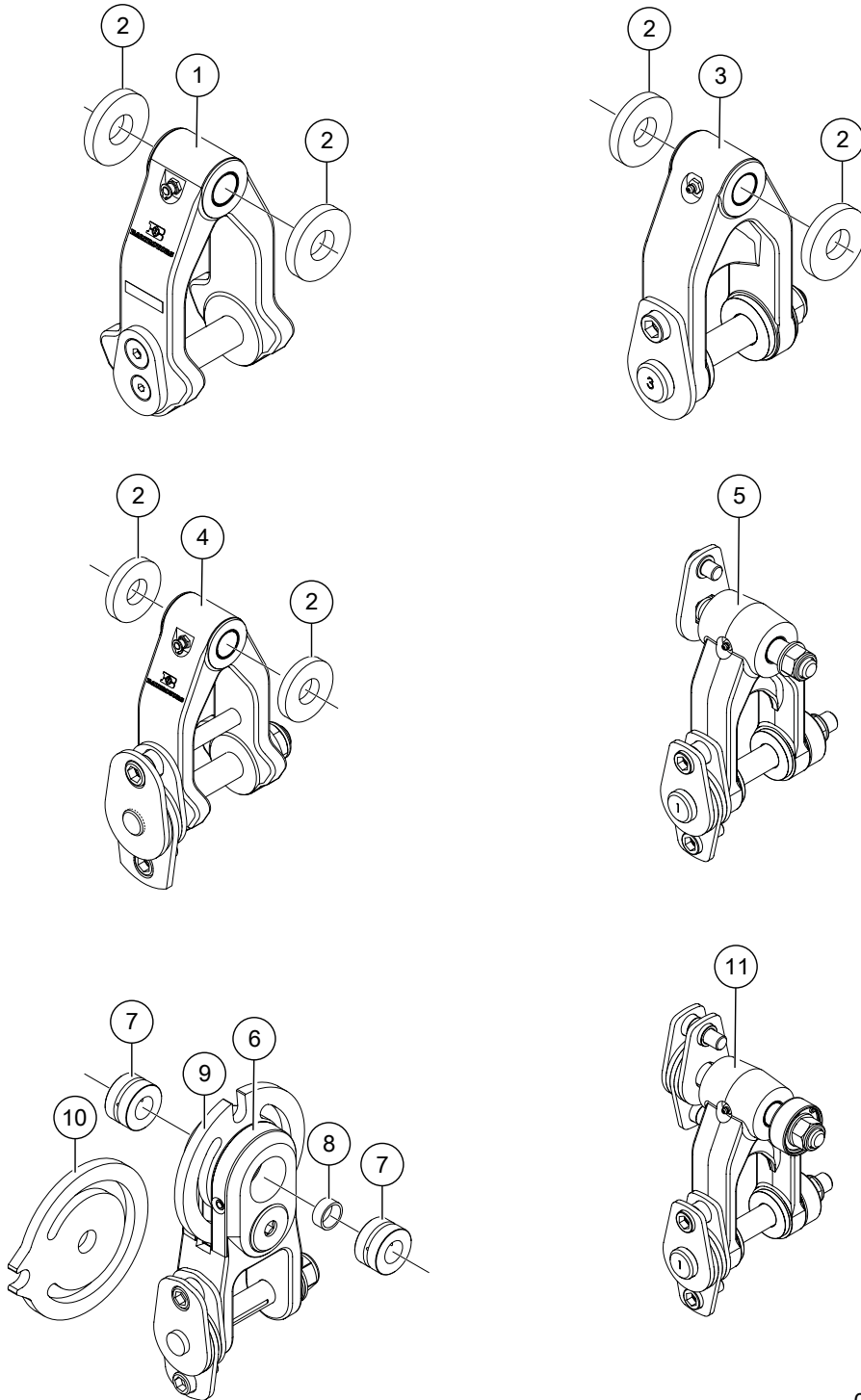


000566

Link/Slewing damper

Pos	Art.	Qty.	Description	Remarks
1	KT-790636	1 pc	Link	Unbraked
-	KT-791419	2 pcs	Bushing	
2	KT-791435	2 pcs	Spacer	T=10 mm. At crane tip 80 mm.
3	KT-791422	1 pc	Link	Unbraked
-	KT-791337-10	2 pcs	Bushing	
-	KT-791422-1	1 pc	Axle	Kit, lower - Unbraked
-	KT-791422-2	1 pc	Axle	Kit, upper - Unbraked
-	KT-791422-3	1 pc	Bolt kit	Unbraked
4	KT-MB21755	1 pc	Link	Single braked
-	KT-791419	2 pcs	Bushing	
-	KT-790539	1 pc	Axle with brake	
-	KT-791493	1 pc	Plate for brake	
-	KT-790540	1 pc	Plate with brake	
5	KT-791421	1 pc	Link	Single braked
-	KT-791337-10	2 pcs	Bushing	
-	KT-791422-2	1 pc	Axle	Kit, upper - Unbraked
-	KT-791422-3	1 pc	Bolt kit	Upper axle - Unbraked
-	KT-791337-1	1 pc	Brake pad	Kit
-	KT-791337-8	1 pc	Axle	Kit, lower - Braked
-	KT-791337-4	1 pc	Bolt kit	Upper, lower axle - Brake
-	KT-791337-5	1 pc	Bolt kit	Lower, lower axle - Brake
-	KT-791337-6	1 pc	Washer kit	
-	KT-791337-7	1 pc	Washer	Magnetic
6	KT-790995	1 pc	Link	Dual braked
-	KT-790995-1	2 pcs	Brake pad	
-	KT-790685-1	2 pcs	Brake pad	
-	KT-790685-3	1 pc	Pin	
7	TE-701949	2 pcs	Bushing	
-	KT-791342	2 pcs	Bushing	Applies to machine 53. D=30
8	TE-701950	1 pc	Spacer ring	
9	KT-790995-4	1 pc	Brake disc	Combi
10	TE-702774	1 pc	Brake disc	Harvester
11	KT-791337	1 pc	Link	Dual braked
-	KT-791337-10	2 pcs	Bushing	
-	KT-791337-1	2 pcs	Brake pad	Kit
-	KT-791337-2	1 pc	Bolt kit	Upper, upper axle - Brake

Link/Slewing damper

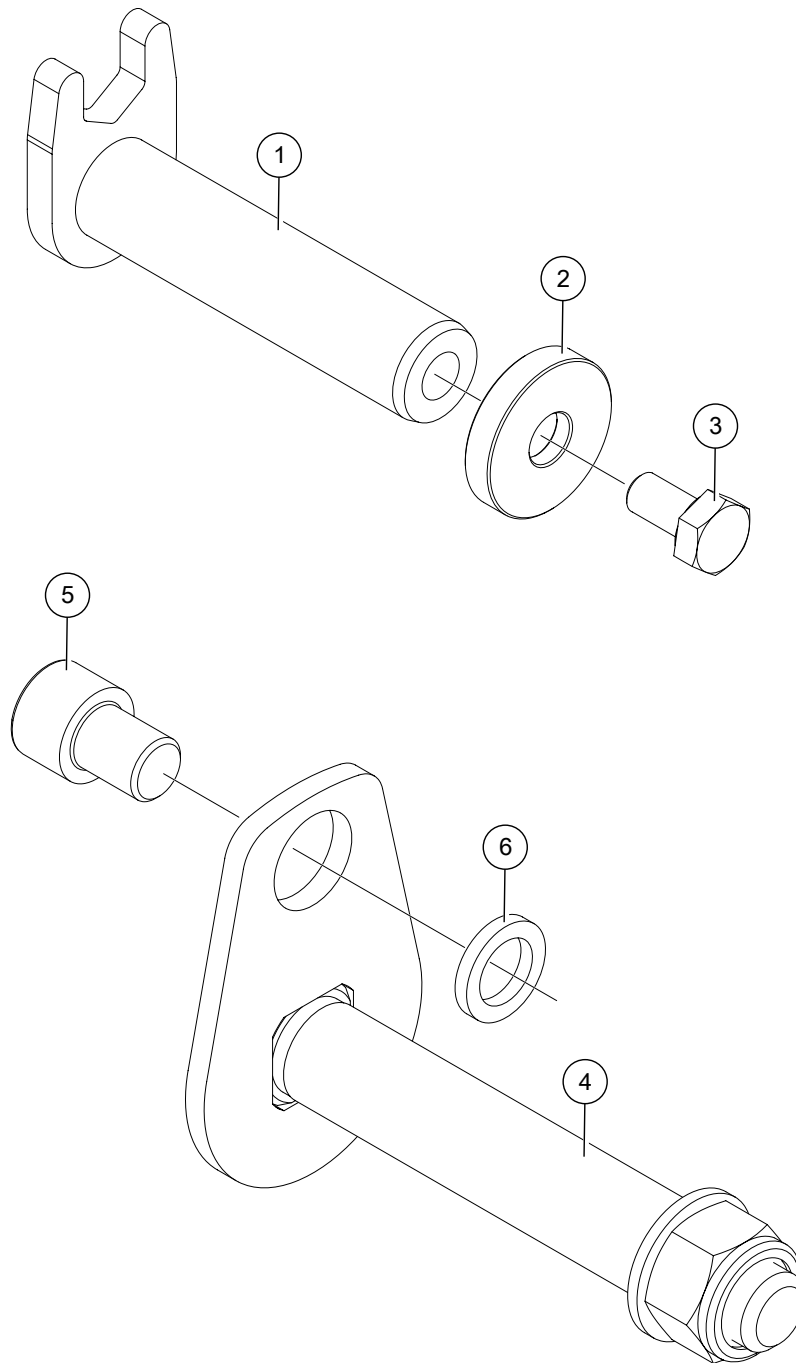


000566

Link/Slewing damper

Pos	Art.	Qty.	Description	Remarks
-	KT-791337-3	1 pc	Bolt kit	Lower, upper axle - Brake
-	KT-791337-4	1 pc	Bolt kit	Upper, lower axle - Brake
-	KT-791337-5	1 pc	Bolt kit	Lower, lower axle - Brake
-	KT-791337-6	1 pc	Washer kit	
-	KT-791337-7	2 pcs	Washer	Magnetic
-	KT-791337-8	1 pc	Axle	Kit, Lower - Brake
-	KT-791337-9	1 pc	Axle	Kit, Upper - Brake

Axle

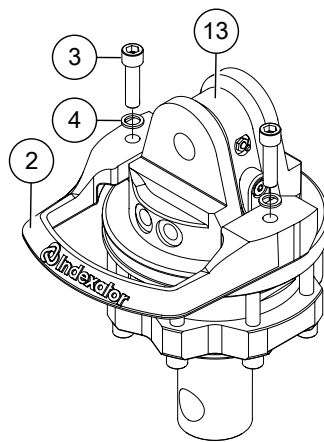
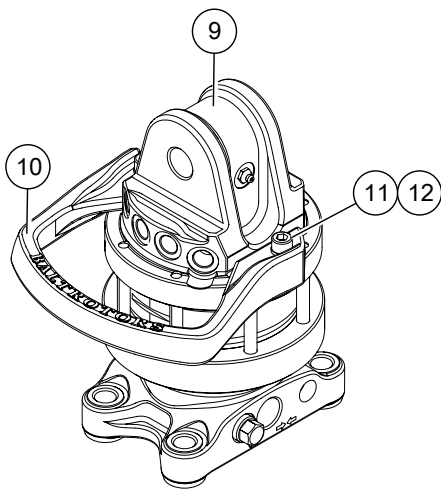
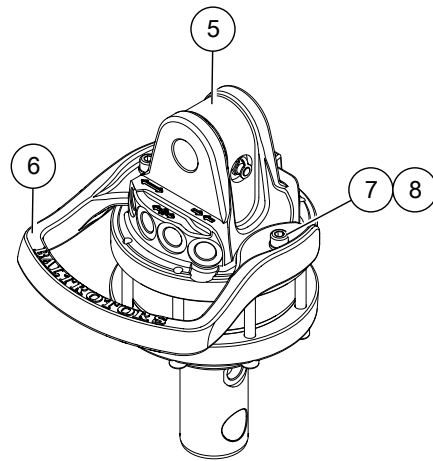
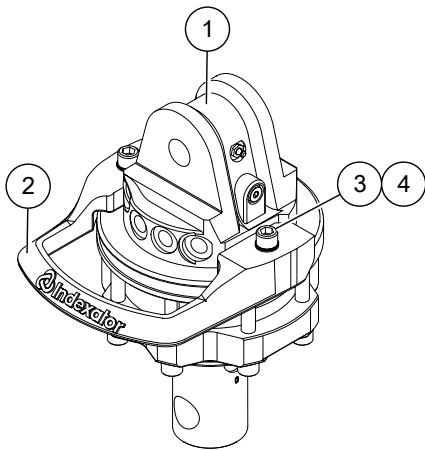


000574

Axle

Pos	Art.	Qty.	Description	Remarks
1	KT-791052	1 pc	Axle	
2	KT-790531	1 pc	Locking washer	
3	K6077-114	1 pc	Screw	M6S 12x20 8.8 FZB
4	KT-791432	1 pc	Axle	
5	09-267641	1 pc	Hex screw	MC6S 16x20 8.8 FZB
6	K6163-002	1 pc	Nordlock washer	M16

Rotator



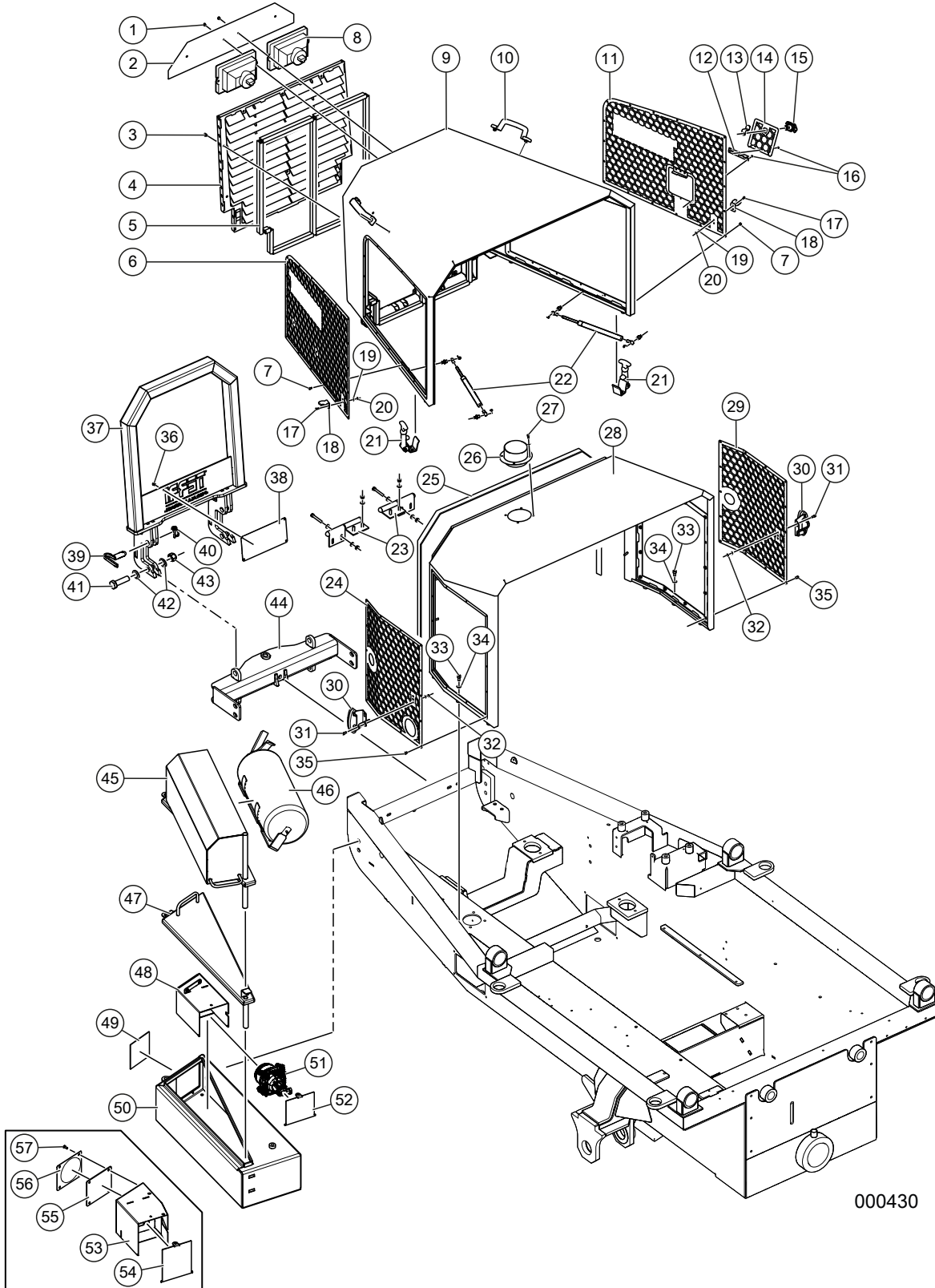
000567

Rotator

Pos	Art.	Qty.	Description	Remarks
1	TE-703517	1 pc	Rotator	Combi. Ø63
	KT-790837-2	1 pc	Gasket kit	
2	KT-790837-1	1 pc	Hose guard	
3	KT100079	2 pcs	Hex screw	MC6S 12x45 12.9 UNTR
4	K6163-000	2 pcs	Nordlock washer	M12
5	KT-790515	1 pc	Rotator	Forwarder. Ø50
	KT-790515-1	1 pc	Gasket kit	
6	KT-790516	1 pc	Hose guard	
7	KT-6067-290	2 pcs	Hex screw	MC6S 8x30 12.9 OBEH
8	K6162-01	2 pcs	Spring washer	FBB M8
9	KT-791159	1 pc	Rotator	Combi/Forwarder. Ø63
	TE-791159	1 pc	Gasket kit	
10	KT-791240	1 pc	Hose guard	
11	K6067-19	2 pcs	Hex screw	MC6S 10x30 FZB
12	K6162-02	2 pcs	Spring washer	FBB 10
13	TE-703518	1 pc	Rotator	Harvester
	KT-790837-2	1 pc	Gasket kit	

6 FRAME AND BODY

Hood, hinges and battery shelf

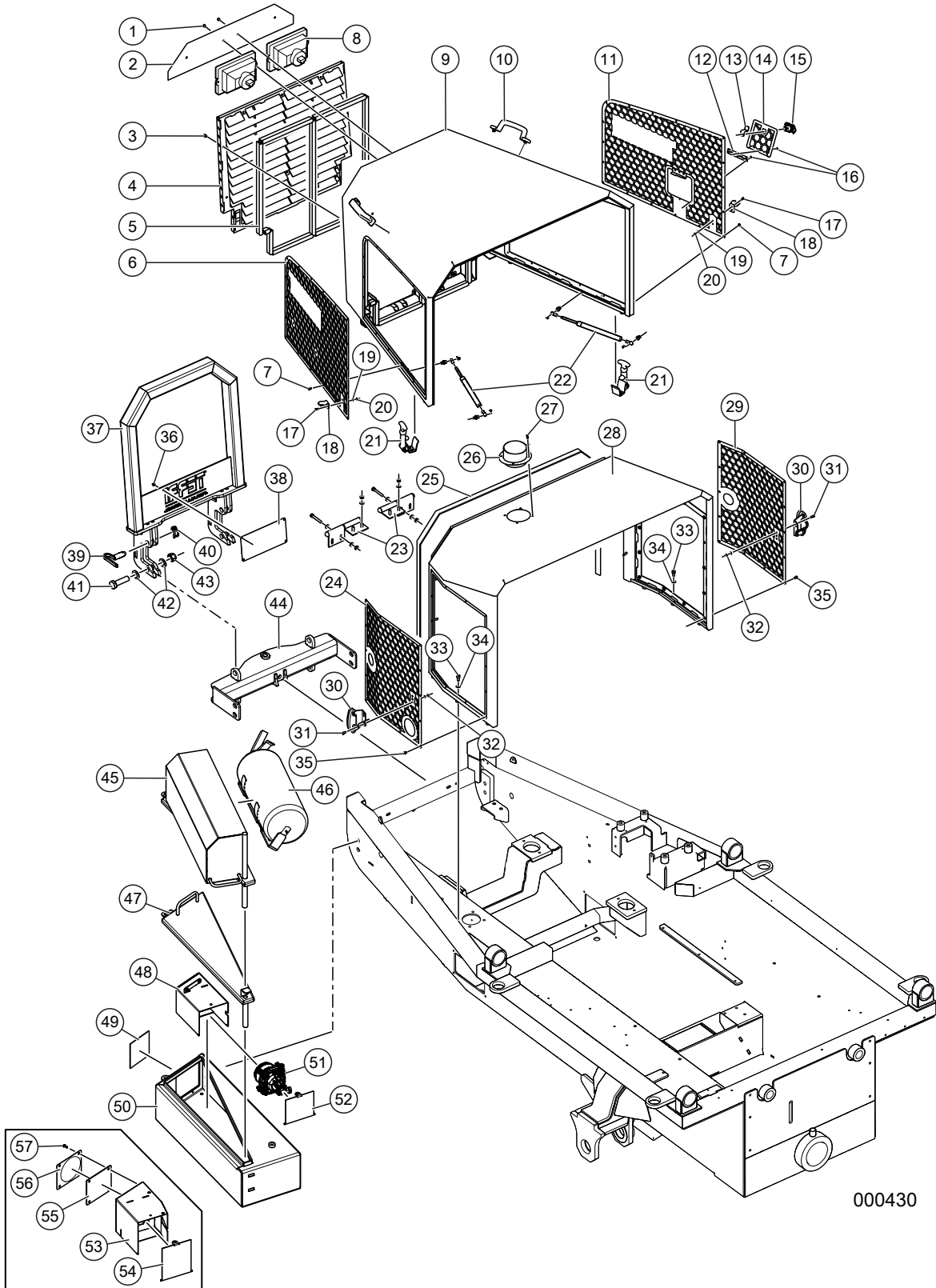


000430

Hood, hinges and battery shelf

Pos	Art.	Qty.	Description	Remarks
1	K6062-1	4 pcs	Hex screw	MC6S 6x12 FZB
2	TE-702614	1 pc	Cover plate behind grille	
3	81-0249-FZB	6 pcs	Hex screw	MC6S 6x10 FZB
4	TE-702653	1 pc	Grille	
5	T3999042	3 m	Edge moulding	
6	TE-702584	1 pc	Cover plate	Left
7	K6062-02	50 pcs	Hex screw	MC6S 5x10 FZB
8		2 pcs	Headlight	See <i>Lighting and wiper motors</i> , page 205
-		2 pcs	Bulb H4 12V	See <i>Lighting and wiper motors</i> , page 205
9	TE-702544	1 pc	Hood	Front
	TE-702546	2 pcs	Hinge bracket	
10	KT-890056	2 pcs	Pull handle	
11	TE-702647	1 pc	Cover plate	Right
12	TE-702651	1 pc	Hinge	
13	TE-702648	1 pc	Locking hook, hood	
14	TE-702639	1 pc	Hatch	
15	KT-791284	1 pc	Compression lock	
16	K6206-06	6 pcs	Rivet	3.2X8 Al/St BLACK
17	09-267804	4 pcs	Screw	M6S 4x10
18	KT-0146.125	2 pcs	Hood lock	
19	09-267054	4 pcs	Flat washer	BRB M4
20	K6133-1	4 pcs	Lock nut	Nyloc M4 FZB
21	KT-0146.125	2 pcs	Hood lock	
22	T53033	2 pcs	Gas cylinder, hood	
	T6493506	4 pcs	Swivel joint	M6/M8
	09-267024	4 pcs	Bracket, ball fitting	M8
23	TE-710019	1 pc	Hood hinge	Kit
-	TE-700347	2 pcs	Hood hinge	Hood section
-	TE-700348	2 pcs	Hood hinge	Chassis
	09-266195	4 pcs	Flange screw	M6SF 8x60 8.8 FZB
	09-265139	12 pcs	Flat washer	BRB M8
	K6134	8 pcs	Lock nut	LM6M M8 8 FZB
24	TE-702601	1 pc	Cover plate	Left. For fuel cap KT-1021813.
	TE-702601-1	1 pc	Cover plate	Left. For fuel cap KT-791533. Up to machine T24-007
	TE-702601-1	1 pc	Cover plate	Left. For fuel cap KT-791534. From machine T24-008
25	K7604-21	LM	Sealing strip	20x4

Hood, hinges and battery shelf



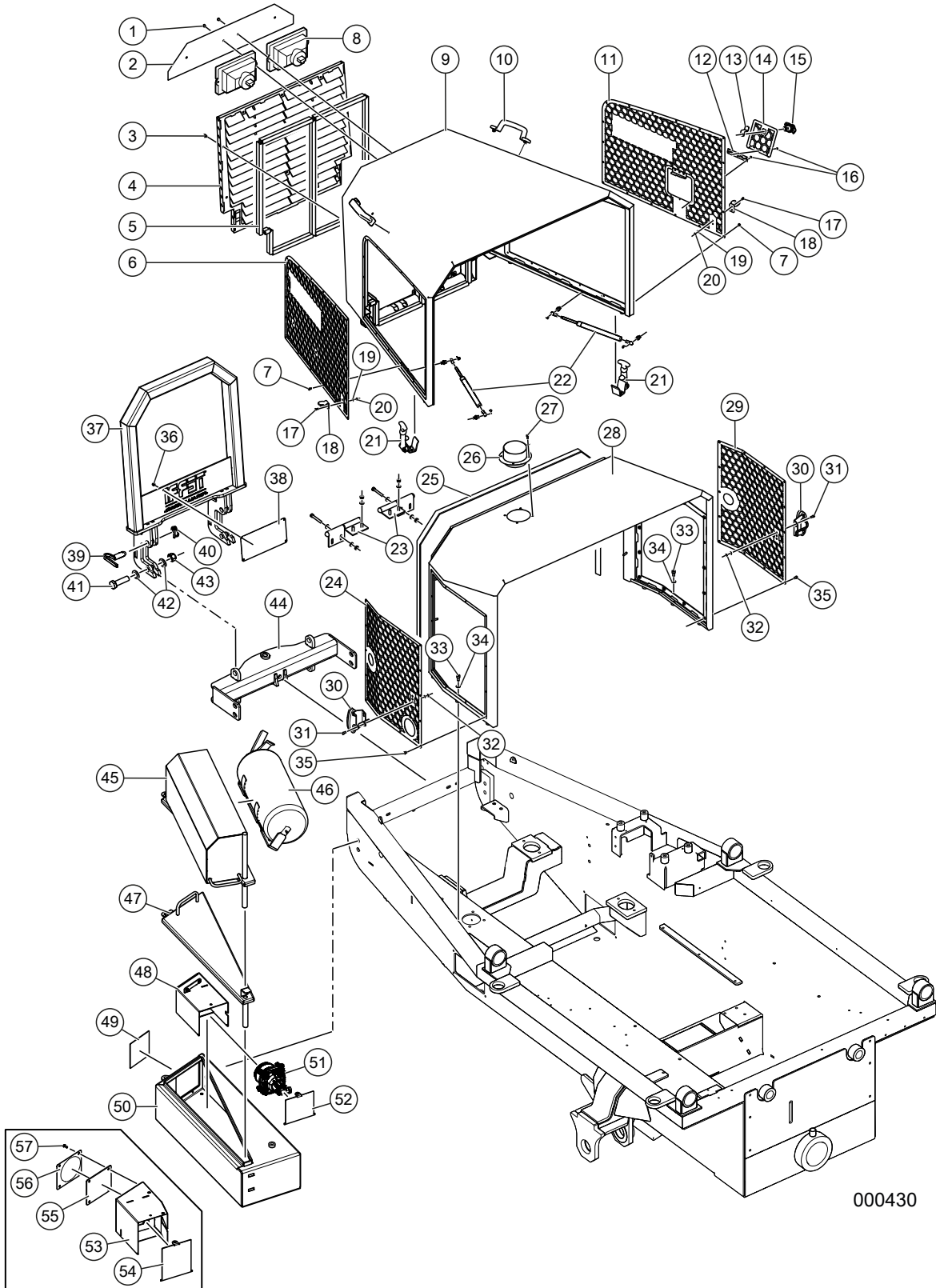
000430

Hood, hinges and battery shelf

Pos	Art.	Qty.	Description	Remarks
26		1 pc	Duct intake	- See <i>Air and fuel filter</i> , page 31.
27	09-267710	4 pcs	Flange screw	M6S 5x12 8.8 FZB
28	TE-702513	1 pc	Rear engine hood	Incl. item 26 and 32
29	TE-702600	1 pc	Cover plate	Right
30	KT-791103	2 pcs	Positioning light	LED. White with reflector
31	K6065-601	4 pcs	Hex screw	MC6S 5x16 8.8 FZB
32	09-267591	4 pcs	Lock nut	LM6M M5
33	K6065	6 pcs	Hex screw	MC6S 8x16
34	K6151	6 pcs	Flat washer	BRB M8
	TE-701235	6 pcs	Spacer engine hood	
35	K6068-071	14 pcs	Screw	K6S 6x12
36	K6062-1	4 pcs	Hex screw	MC6S 6X12 FZB
37	TE-701977	1 pc	Bar, foldable	Extra equipment
38	TE-701391	1 pc	Cover plate for grille logo	Machine with bull bar
39	TE-701982	2 pcs	Pin	
40	KT-123120	2 pcs	Pin	TRSP 6x42
41	09-265439	2 pcs	Screw	M6S 20X80 8.8 FZB
42	K6152-07	4 pcs	Flat washer	BRB M20 FZB
43	K6135-12	2 pcs	Lock nut	Nyloc M20
44	TE-701985	1 pc	Drawbar	
	TE-700409	1 pc	Pin for drawbar	
45	TE-702285	1 pc	Cover with bracket for fire extinguisher	Left. Machine with additional fire extinguisher
	TE-702284	1 pc	Cover with bracket for fire extinguisher	Right. Machine with additional fire extinguisher
46	KT-791177	2 pcs	Fire extinguisher	Foam 9 kg. Machine with additional fire extinguisher
47	TE-701820	1 pc	Lid	Left
	TE-701881	1 pc	Lid	Right
48	TE-701849	1 pc	Lamp housing	Left. Machine with relocated headlights. Up to machine T23-028. Not T23-024
	TE-701884	1 pc	Lamp housing	Right. Machine with relocated headlights. Up to machine T23-028. Not T23-024
49	KT-701858	2 pcs	Lamp glass	Machine with relocated headlights. Up to machine T23-028. Not T23-024
	TE-702047	2 pcs	Cover plate for lamp in tool box	Machine without relocated headlights. Up to machine T23-028. Not T23-024
50	TE-701813	1 pc	Toolbox	Left
	TE-701862	1 pc	Toolbox	Right
51	KT-791118	2 pcs	High/low beam headlight 12/24V	Machine with relocated headlights, see <i>Lighting and wiper motors</i> , page 205
		2 pcs	H7 bulb, 12V	See <i>Lighting and wiper motors</i> , page 205

	KT-791118-1	1 pc	Assembly kit	
52	TE-701857	2 pcs	Cover lamp housing	Up to machine T23-028. Not T23-024

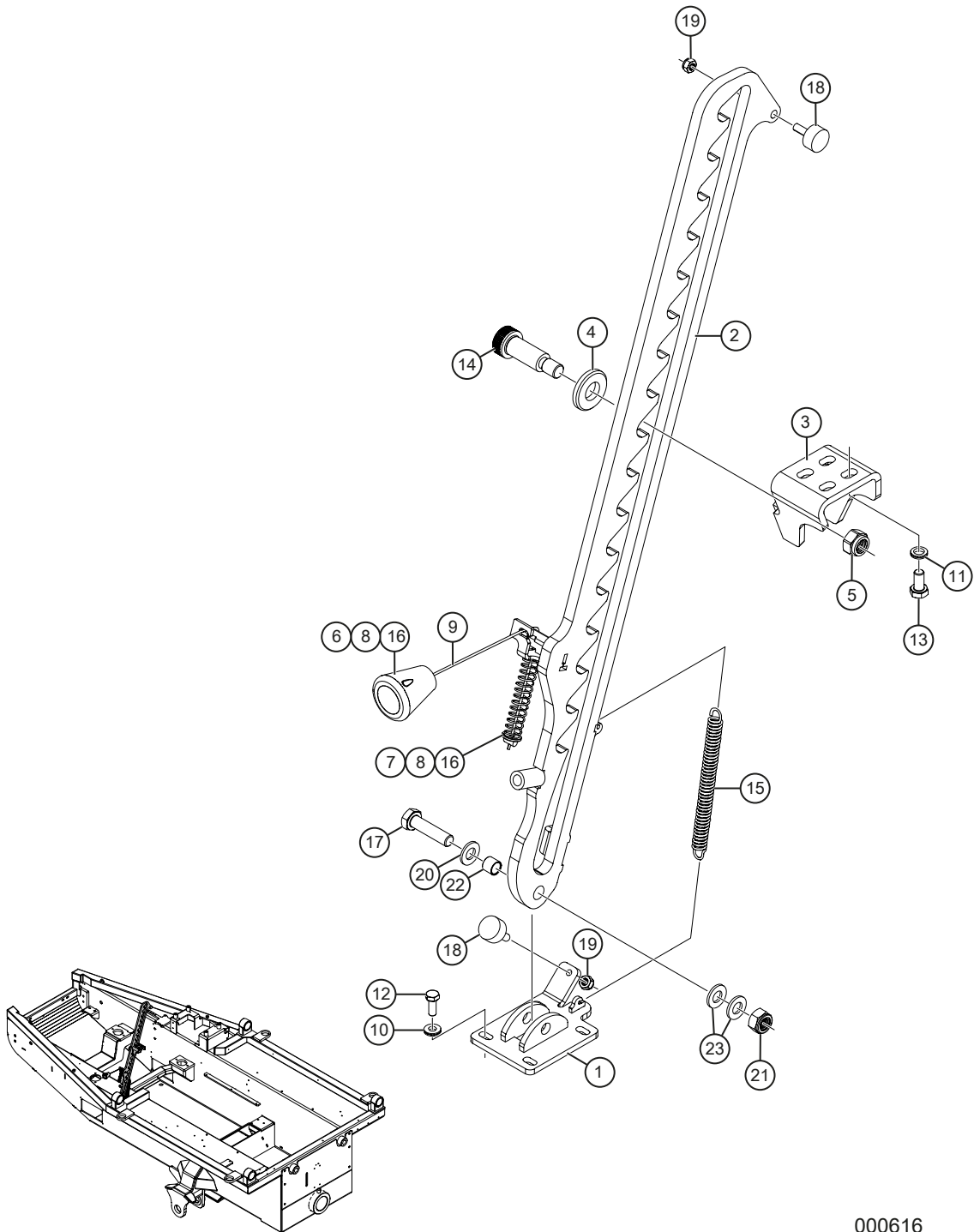
Hood, hinges and battery shelf



Hood, hinges and battery shelf

Pos	Art.	Qty.	Description	Remarks
53	TE-703367	1 pc	Lamp housing	Left. Machine with relocated headlights. From T23-024. Not T23-025, T23-026, T23-027 and T23-028.
	TE-703368	1 pc	Lamp housing	Right. Machine with relocated headlights. From T23-024. Not T23-025, T23-026, T23-027 and T23-028.
54	TE-703380	2 pcs	Cover lamp housing	Machine with relocated headlights. From T23-024. Not T23-025, T23-026, T23-027 and T23-028.
	K6077-08	2 pcs	Screw	M6S 6x10 8.8 FZB
	KT-785036	2 pcs	Nordlock washer	M6
55	KT-703374	2 pcs	Lamp glass	From T23-024. Not T23-025, T23-026, T23-027 and T23-028.
56	703375	2 pcs	Sheet metal cover	From T23-024. Not T23-025, T23-026, T23-027 and T23-028.
57	81-0483-FZB	16 pcs	Screw	K6S 6x16 FZB. From T23-024. Not T23-025, T23-026, T23-027 and T23-028.

Cab lock

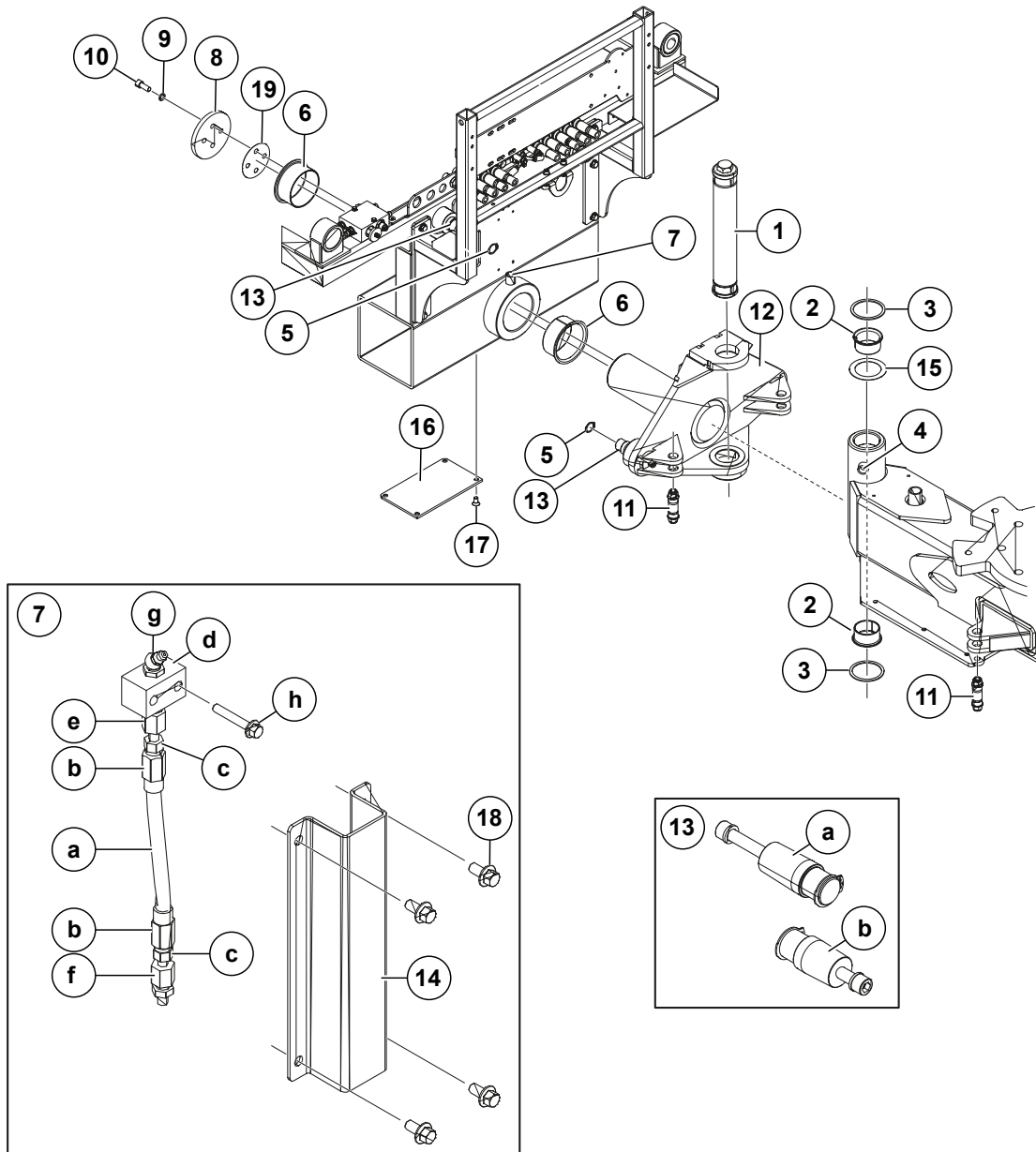


000616

Cab lock

Pos	Art.	Qty.	Description	Remarks
	TM-702945		Cab lock	Complete. First machine T23-016.
1	TE-702936	1 pc	Bracket	
2	TE-702932	1 pc	Arm	
3	TE-702946	1 pc	Bracket	
4	TE-702944	1 pc	Plastic washer	
5	K6135-1	1 pc	Lock nut	M6M 12 Nyloc
6	09-267315	1 pc	Tapered knob	
7	09-267313	1 pc	Compression spring	
8	KT-791381	2 pcs	Locking nipple	10x5.5x2
9	K6626-61	1 pc	Steel wire	Ø2
10	09-267189	4 pcs	Locking washer	Nordlock M6
11	K6163-004	4 pcs	Locking washer	Nordlock M8
12	KT-6070-03	4 pcs	Screw	M6S 6x16 8.8 FZB
13	K6074-09	4 pcs	Screw	M6S 8x16 8.8 FZB
14	09-267316	1 pc	Reamed bolt	16x35/M12 12.9
15	09-267314	1 pc	Tension spring	1.8x12x87.2
16	KT-702954	2 pcs	Assembly washer	T=2
17	K6078-02	2 pcs	Screw	M6S 10x40 8.8 FZB
18	KT-791380	2 pcs	Shock absorber	
19	K6133	1 pc	Lock nut	M6M 6 Nyloc
20	K6152	1 pc	Flat washer	BRB M10 FZB
21	K6135	1 pc	Lock nut	M6M 10 Nyloc
22	KT-791379	1 pc	Sliding bearing	10/12x10
23	TE-703133	2 pcs	Thrust washer	20x10.3x2 Bronze

Frame joint/Steering joint

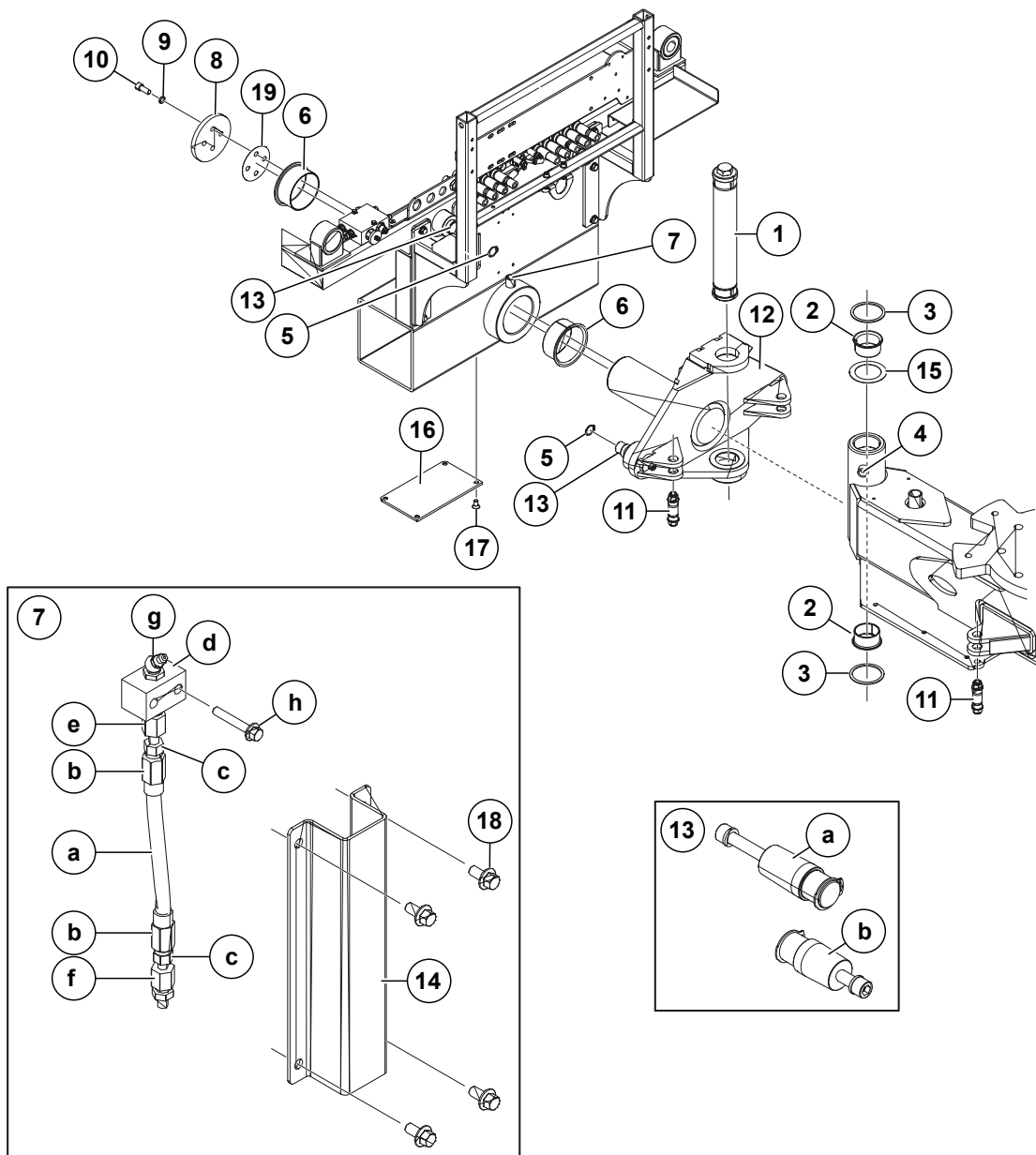


000575

Frame joint/Steering joint

Pos	Art.	Qty.	Description	Remarks
1	KT-790989	1 pc	Expander shaft	Tightening torque 500 Nm
-	KT-790989-1	1 pc	Sleeve	Std
-	KT-790989-3	1 pc	Washer	
-	KT-790989-4	1 pc	KM nut	Tightening torque 500 Nm
-	KT-790989-5	1 pc	Screw	M24 HEX 36
	KT-790989-2	1 pc	Sleeve	TDC
2	KT-50542	2 pcs	Bushing	
3	KT-701010	2 pcs	Thrust washer	
4	KT-4600-100	1 pc	Grease nipple	Straight M6
5	09-268054	2 pcs	Retaining ring	SGA 30
6	KT-50541	2 pcs	Bushing, tension bearing	
7	TE-710023	1 pc	Extended grease nipple	Complete
7a	KT-2410010103	0.11 m	High-pressure hose	Included in TE-710023
7b	KT-2420002203	2 pcs	Screw sleeve for high-pressure hose	Included in TE-710023
7c	KT-2420200620	2 pcs	Straight pipe socket	Included in TE-710023
7d	KT-2435200201	1 pc	Grease panel	Included in TE-710023
7e	KT-61710602	1 pc	Straight coupling	R ext. Included in TE-710023
7f	KT-61720606	1 pc	Straight coupling	MK ext. Included in TE-710023
7g	KT-59020009	1 pc	Grease nipple	45 degree 1/8". Included in TE-710023
7h	81-0239	2 pcs	Screw	MF6S 5x30 FZB. Included in TE-710023
8	TE-700091	1 pc	Drag washer	
9	K6163-000	4 pcs	Nordlock washer	M12
10	KT-6067-270	4 pcs	Hex screw	MCS65 12x30 12.9 Untr. Use lock fluid and torque XX Nm
11	KT-790990	4 pcs	Expander shaft	Steering cylinder
-	KT-790990-1	4 pcs	Sleeve	Std
-	KT-790990-3	4 pcs	Flange nut	M6MF 14
	KT-790990-2	4 pcs	Sleeve	TDC
12	TE-701000	4 pcs	Hitch pin for relocated articulated lock	
13	TE-710205	2 pcs	Repair kit	1 kit per cylinder. Replaces TE-710131
a	KT-703692	1 pc	Cylinder pin	Included in TE-710205
	09-268054	1 pc	Retaining ring	SGA 30. Included in TE-710205
	KT-785011	1 pc	Hex screw	MC6S 12x80 12.9. Included in TE-710205
	K6163-000	1 pc	Nordlock washer	M12 Included in TE-710205
b	KT-703693	1 pc	Cylinder pin	Included in TE-710205
	09-268054	1 pc	Retaining ring	SGA 30. Included in TE-710205
	09-267691	1 pc	Hex screw	MC6S 12x40 12.9. Included in TE-710205

Frame joint/Steering joint

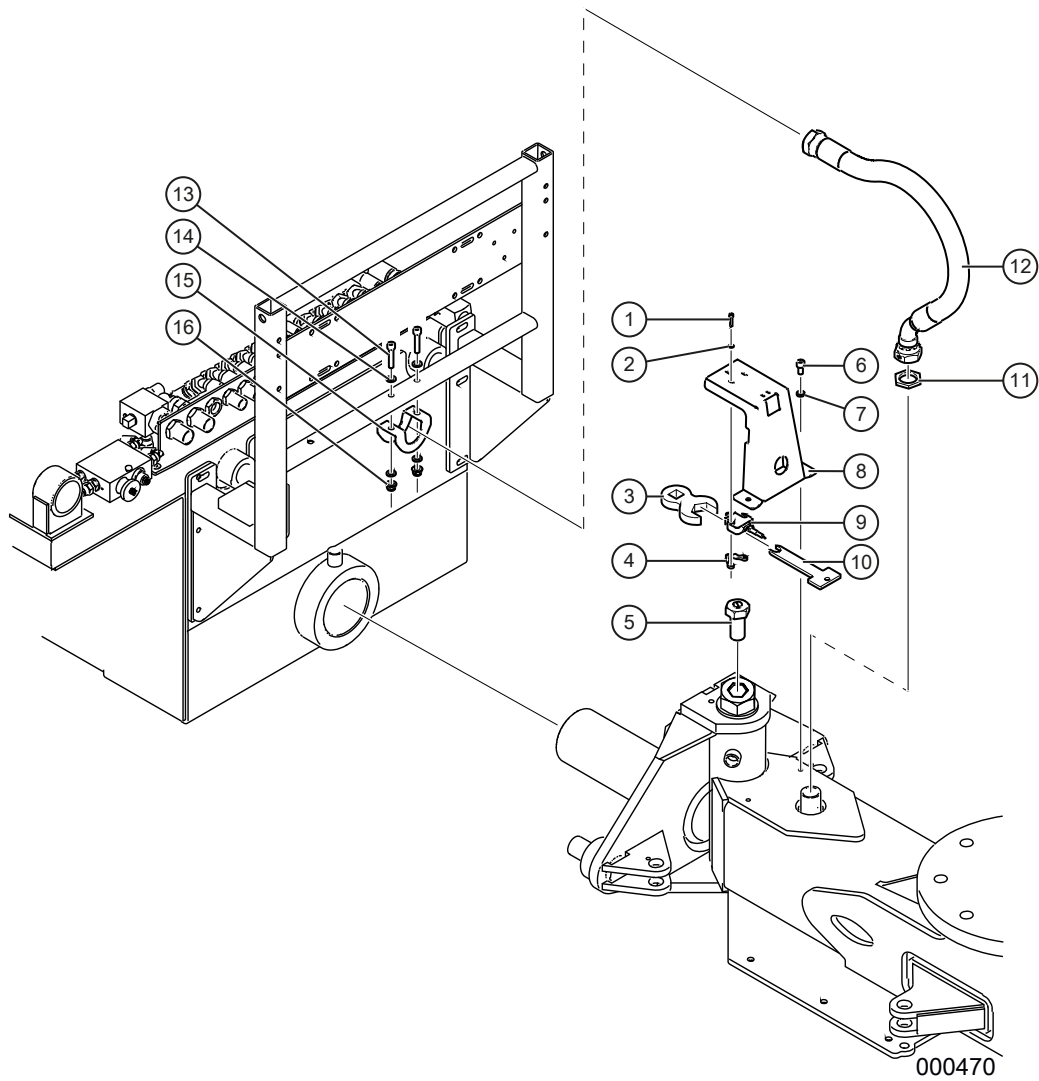


000575

Frame joint/Steering joint

Pos	Art.	Qty.	Description	Remarks
	K6163-000	1 pc	Nordlock washer	M12 Included in TE-710205
14	TE-701847	1 pc	Cover grease hose	
15	TE-701092	1 pc	Shims	T=0.2 mm
	TE-701093	1 pc	Shims	T=0.5 mm
	TE-701094	1 pc	Shims	T=1.0 mm
16	TE-701630	1 pc	Cover hitch pin	
17	K6058-40	4 pcs	Hex screw	MF6S 10x20 8.8 FZB
18	09-265543	4 pcs	Flange screw	M6SF 6x12 8.8 FZB
19	TE-701095	1 pc	Shims	T=0.2
	TE-701096	1 pc	Shims	T=0.5
	TE-701097	1 pc	Shims	T=0.15

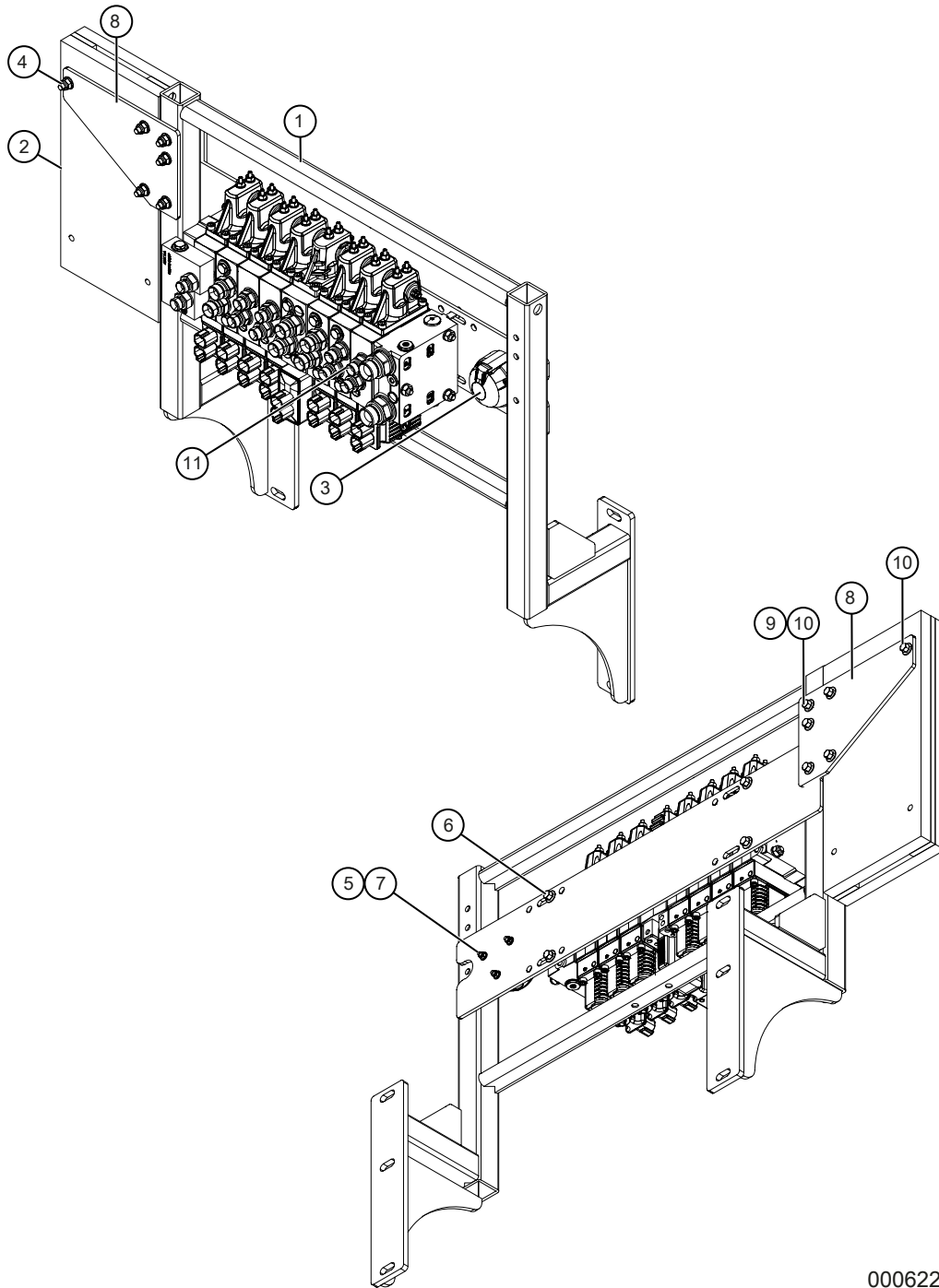
Articulation sensor and protective hose for lighting cable



Articulation sensor and protective hose for lighting cable

Pos	Art.	Qty.	Description	Remarks
1	09-267055	3 pcs	Hex screw, stainless	MC6S 4x20 A2
2	09-267054	3 pcs	Flat washer, stainless	BRB M4 A2
3	TE-703071	1 pc	Extension for torque wrench	Assembly/adjustment tool
4	TE-702950	1 pc	Screw sheet	
5	TE-702949	1 pc	Bolt with magnet	
6	K6065	2 pcs	Hex screw	MC6S 8X16 FZB
7	K6163-004	2 pcs	Nordlock washer	M8
8	TE-702952	1 pc	Bracket for angle sensor, combi/ forwarder	
9	KT-791367	1 pc	Angle sensor	
10	TE-702951	1 pc	Centring tool	Assembly/adjustment tool
11	KT-70900016	1 pc	Lock nut	G 1" thread
12	TS-273056	1 pc	Electric hose	L=565 mm
13	K6066	2 pcs	Hex screw	MC6S 8X40 FZB
14	K6151	4 pcs	Flat washer	BRB M8 FZB
15	TE-703754	1 pc	Bracket hose cable guard	Replaces TE-702894
16	09-265605	2 pcs	Flange lock nut	M8 (LM6MF 8 FZB)

Frame valve assembly, without rubber cover

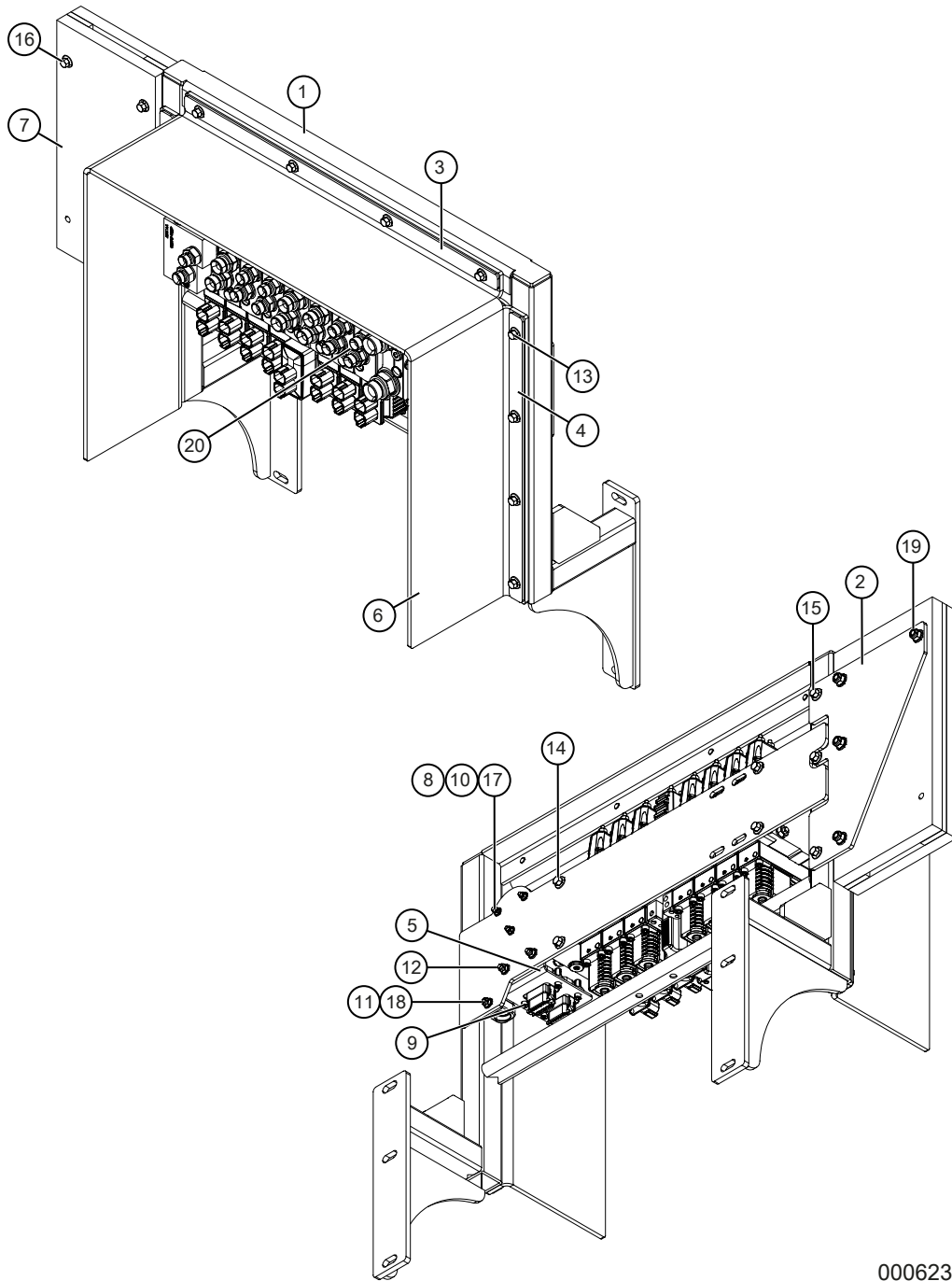


000622

Frame valve assembly, without rubber cover

Pos	Art.	Qty.	Description	Remarks
	TE-710187		Frame valve assembly, without rubber cover	Complete. Up to machine T24-001. Not T23-027.
1	TE-702376	1	Mounting frame valve assembly, without rubber cover	
2	KT-700661	1	Retainer saw box	
3	KT-082002	1	Trailer socket	
4	09-265605	6	Flange lock nut	LM6MF M8 FZB
5	09-266027	3	Flange lock nut	LM6MF M5 FZB
6	K6065-25	4	Hex screw	M6SF 8x20 8.8 FZB
7	09-267326	3	Hex screw	MC6S 5x35 8.8 FZB
8	TE-701441	2	Holder chain saw box	
9	K6151	6	Flat washer	BRB M8 FZB
10	09-267713	6	Flange screw	M6SF 8x70 8.8 FZB
11		1	Crane valve	See <i>Crane valve with connections.</i>

Frame valve assembly, without rubber cover

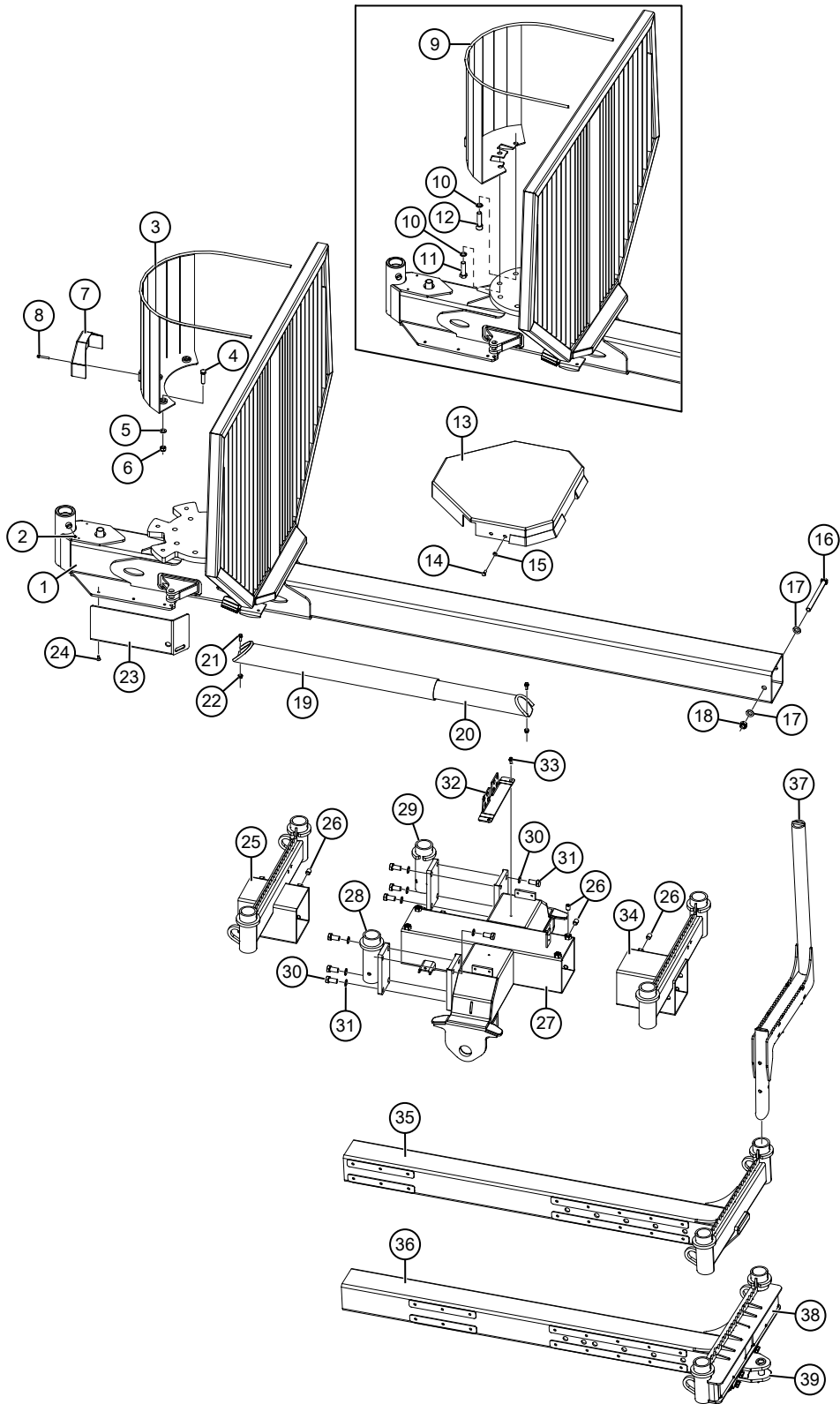


000623

Frame valve assembly, without rubber cover

Pos	Art.	Qty.	Description	Remarks
	TE-710149		Frame valve assembly, without rubber cover	Complete. From machine T24-002. Also T23-027.
1	TE-703447	1	Mounting frame valve assembly, for rubber cover	
2	TE-703451	1	Mounting plate chainsaw holder	
3	TE-703453	1	Mounting plate rubber cover	Upper
4	TE-703452	2	Mounting plate rubber cover	Sida
5	TE-703455	1	Bracket , electrical contact	
6	KT-791465	1	Rubber cover for valve assembly	T=6 mm
7	KT-700661	1	Retainer saw box	
8	KT-082002	1	Trailer socket	
9	K6065-601	4	Hex screw	MC6S 5x16 8.8 FZB
10	09-267326	3	Hex screw	MC6S 5x35 8.8 FZB
11	K6062-11	1	Hex screw	MC6S 6x16 8.8 FZB
12	09-266034	2	Flange screw	M6SF 6x20 8.8 FZB
13	09-266793	12	Flange screw	M6SF 8x16 8.8 FZB
14	09-266036	4	Flange screw	M6SF 8x20 8.8 FZB
15	09-267708	3	Flange screw	M6SF 8x25 8.8 FZB
16	09-266195	4	Flange screw	M6SF 8x60 8.8 FZB
17	09-266027	3	Flange lock nut	LM6MF M5 FZB
18	09-266028	3	Flange lock nut	LM6MF M6 FZB
19	09-265605	4	Flange lock nut	LM6MF M8 FZB
20		1	Crane valve	See <i>Crane valve with connections.</i>

Trailer

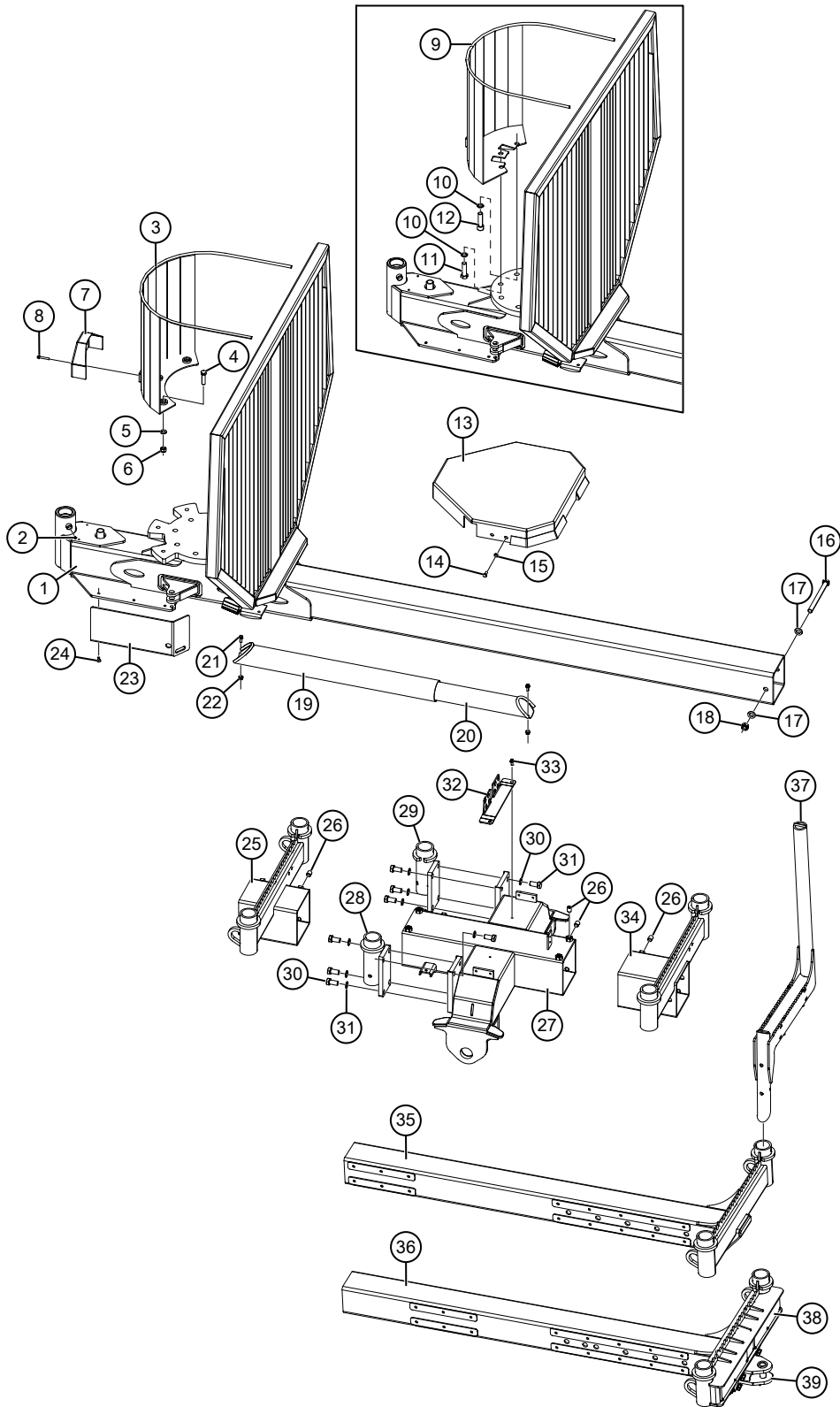


000620

Trailer

Pos	Art.	Qty.	Description	Remarks
1	TE-702245	1 pc	Centre beam	P30T
	TE-702373	1 pc	Centre beam	Extended. P30T
	TE-701195	1 pc	Centre beam	P40/P40T. Older design
	TE-702374	1 pc	Centre beam	Extended. P40/P40T. Older design
	TE-703483	1 pc	Centre beam	P40/P40T. New spec.
	TE-704010	1 pc	Centre beam	P40/P40T. New spec. For steering cylinder with sensor.
	TE-703484	1 pc	Centre beam	Extended. P40/P40T. New spec.
	TE-704011	1 pc	Centre beam	Extended. P40/P40T. New spec. For steering cylinder with sensor.
2	KT-4600-100	1 pc	Grease nipple	M6, straight
3	TE-703475	1 pc	Hose guard crane foot	P40/P40T. New spec.
4	K6077-202	3 pcs	Screw	M6S 16x60 8.8 FZB
5	K6152-051	3 pcs	Flat washer	BRB M16 FZB
6	K6135-11	3 pcs	Lock nut	M6M 16 Nylock
7	TE-703238	1 pc	Cover valve manifold	P30T
	TE-703236	1 pc	Cover valve manifold	P40/P40T
8	09-266194	2 pcs	Flange screw	M6SF 8x50 8.8 FZB
9	TE-700685	1 pc	Hose guard crane foot	P30T
	TE-701511	1 pc	Hose guard crane foot	P40/P40T. Older design
10	K6163-0020	8 pcs	Locking washer	Nordlock M20
11	KT-266883	1 pc	Screw	M6S 20x70 10.9 FXB
12	09-267810	7 pcs	Hex screw	MC6S 20x75 10.9 FZB
13	TE-702116	1 pc	Cover bogie bunk	
14	K6078-02	4 pcs	Screw M10x25 S	M6S 10x25 8.8 FZB
15	K6152	4 pcs	Flat washer	BRB M10 FZB
16	K6077-30	1 pc	Screw	M6S 20x220 8.8 FZB.
	KT100024	1 pc	Screw	M6S 20x240 8.8 FZB. For extra bunk
17	K6152-07	2 pcs	Flat washer	BRB M20 FZB
18	K6135-12	2 pcs	Lock nut	M6M 20 Nyloc
19	TE-604388	2 pcs	Telescopic pipe	Front
	TE-700271	2 pcs	Telescopic pipe	Front. Extended trailer
20	TE-604387	2 pcs	Telescopic pipe rear	Rear
	TE-700270	2 pcs	Telescopic pipe rear	Rear. Extended trailer
21	09-267440	4 pcs	Flange screw	M6SF 10x25 8.8 FZB
22	09-266029	4 pcs	Flange lock nut	M6MF 10 8 FZB
23	TE-700749	1 pc	Protective cover steering cylinder	Left
	TE-700750	1 pc	Protective cover steering cylinder	Right. For steering cylinder without sensor

Trailer

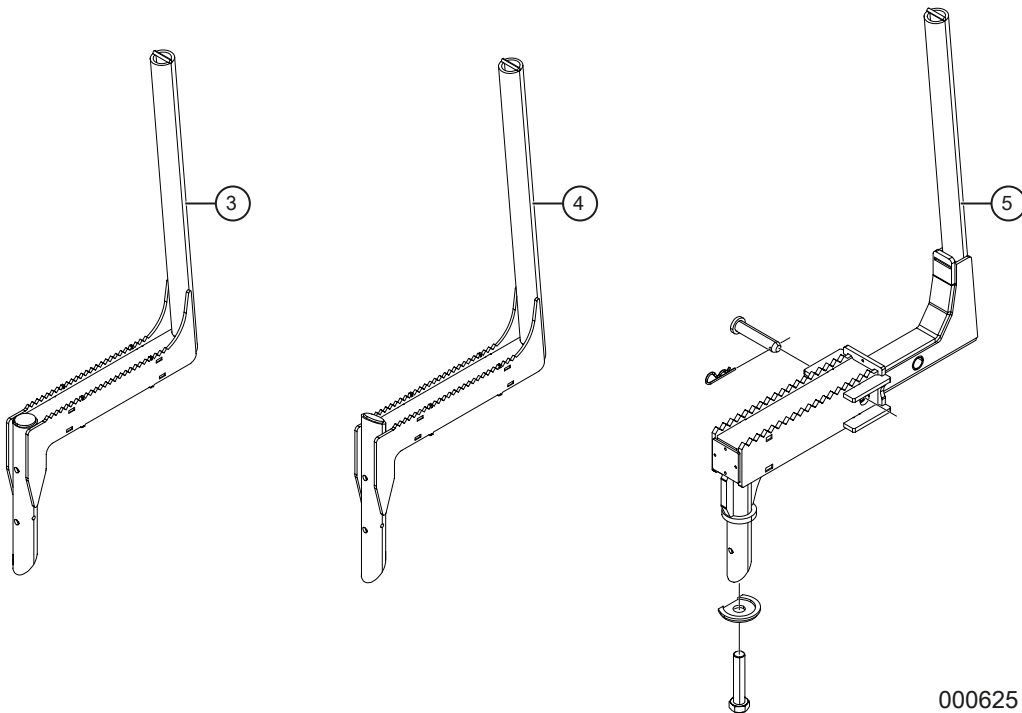
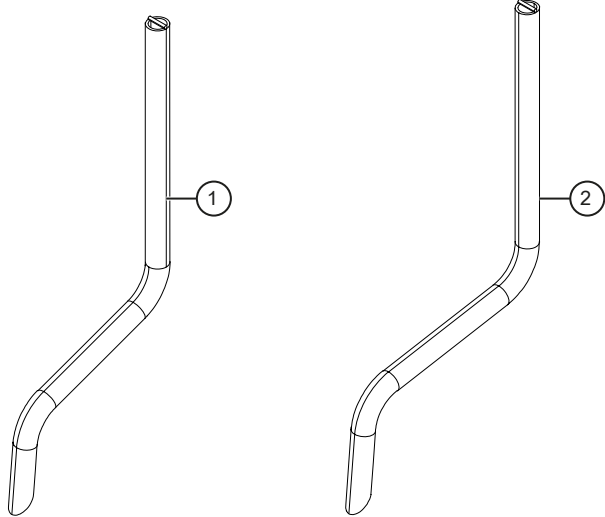


000620

Trailer

Pos	Art.	Qty.	Description	Remarks
	TE-703978	1 pc	Protective cover steering cylinder	Right. For steering cylinder with sensor
24	K6058-40	6 pcs	Screw	MF6S 10x20 10.9 FZB
25	TE-702019	1 pc	Bunk	Round sleeves
26	09-266029	14/17 pcs	Stop screw	P6SS 10x20 10.9 FZB
27	TE-702687	1 pc	Bogie bunk	Machined
28	TE-702025	1 pc	Stake bracket	Left
29	TE-702026	1 pc	Stake bracket	Right
30	K6163-0020	8 pcs	Locking washer	Nordlock M20
31	K6077-31	8 pcs	Screw	M6S 20x40 8.8 FZB
32	TE-702254	1 pc	Sheet metal bulkheads	
33	K6077-001	2 pcs	Flange screw	M6SF 10x20 8.8 FZB
34	TE-702029	1 pc	Extra bunk	Extra equipment
35	TE-702030	1 pc	Rear bunk	Without lighting
36	TE-702397	1 pc	Rear bunk	With lighting
37		6/8 pcs	Stake	See <i>Stake</i> , page 153.
38			Lighting	See <i>Lighting and wiper motors</i> , page 205.
39			Towing hook	See <i>Towing hook</i> , page 221.

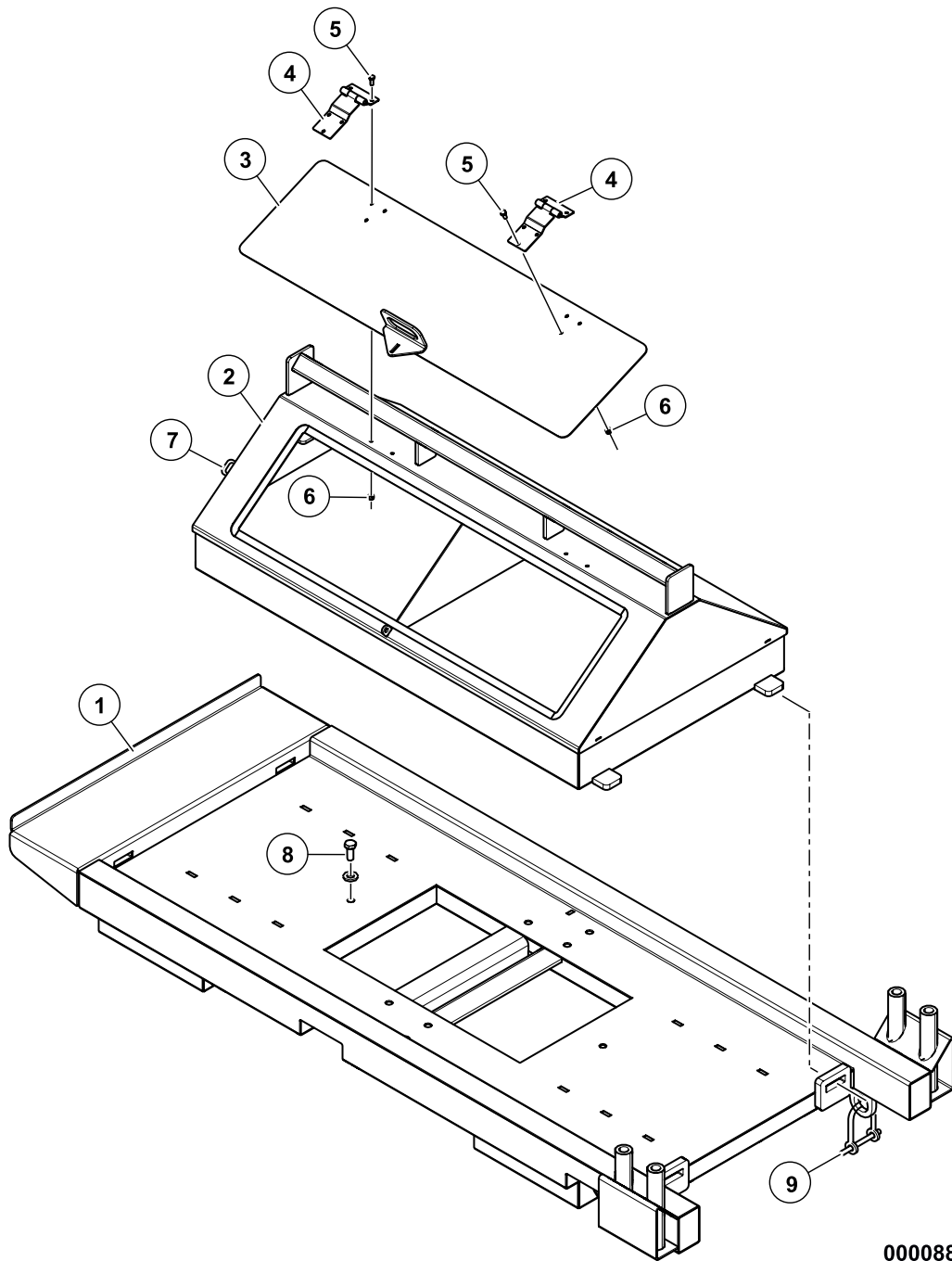
Stake



Stake

Pos	Art.	Qty.	Description	Remarks
1	TE-700066	6/8 pcs	Stake	Tracked machine.
2	TE-701375	6/8 pcs	Stake	Wheeled machine.
3	TE-702444	6/8 pcs	Stake	Wheeled machine. Widened, without horn. 8 pcs. with extended trailer
4	TE-701959	6/8 pcs	Stake	Wheeled machine. Widened, with horn. 8 pcs. with extended trailer
5	TE-702470	6/8 pcs	Stake	Wheeled machine. Telescopic. 8 pcs. with extended trailer
-	TE-702471	1 pc	Inner part	Included in TE-702470
-	TE-702472	1 pc	Outer part	Included in TE-702470
-	TE-702488	1 pc	Cup, tensioning pipe	Included in TE-702470
-	TE-702492	1 pc	Pin	Included in TE-702470
-	KT-2326	1 pc	Cotter pin	Part of TE-702470. 5 mm
-	09-266309	1 pc	Screw	M6S 30x150 8.8 FZB. Included in TE-702470

Counterweight with toolbox

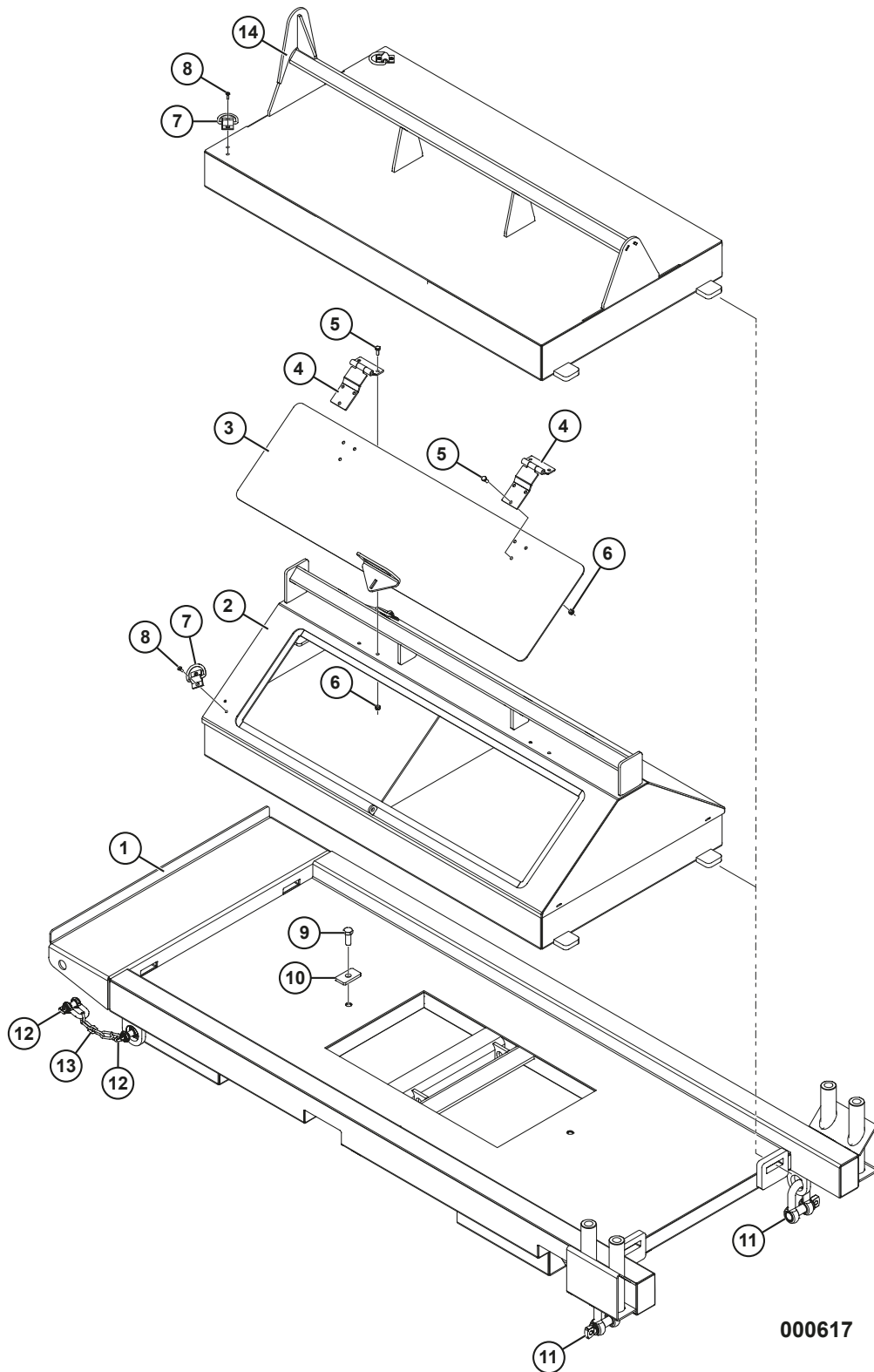


00088

Counterweight with toolbox

Pos	Art.	Qty.	Description	Remarks
1	TE-701481	1 pc	Lower part counterweight	
2	TE-701500	1 pc	Upper part counterweight	With toolbox. Up to machine T23-030.
3	TE-701499	2 pcs	Lid for tool box	
4	KT-0447R	2 pcs	Hinge	
5	K6075	10 pcs	Screw	M6S 8X20 8.8 FZB ISO 4017
6	K6134	10 pcs	Lock nut	Nyloc M8 FZB
7	KT-500220	2 pcs	Lashing ring	
8	K6077-201	1 pc	Screw	M6SH 16X40 8.8 FZB
	TE-701542	1 pc	Washer counterweight	
9	KT-791026	4 pcs	Shackle	

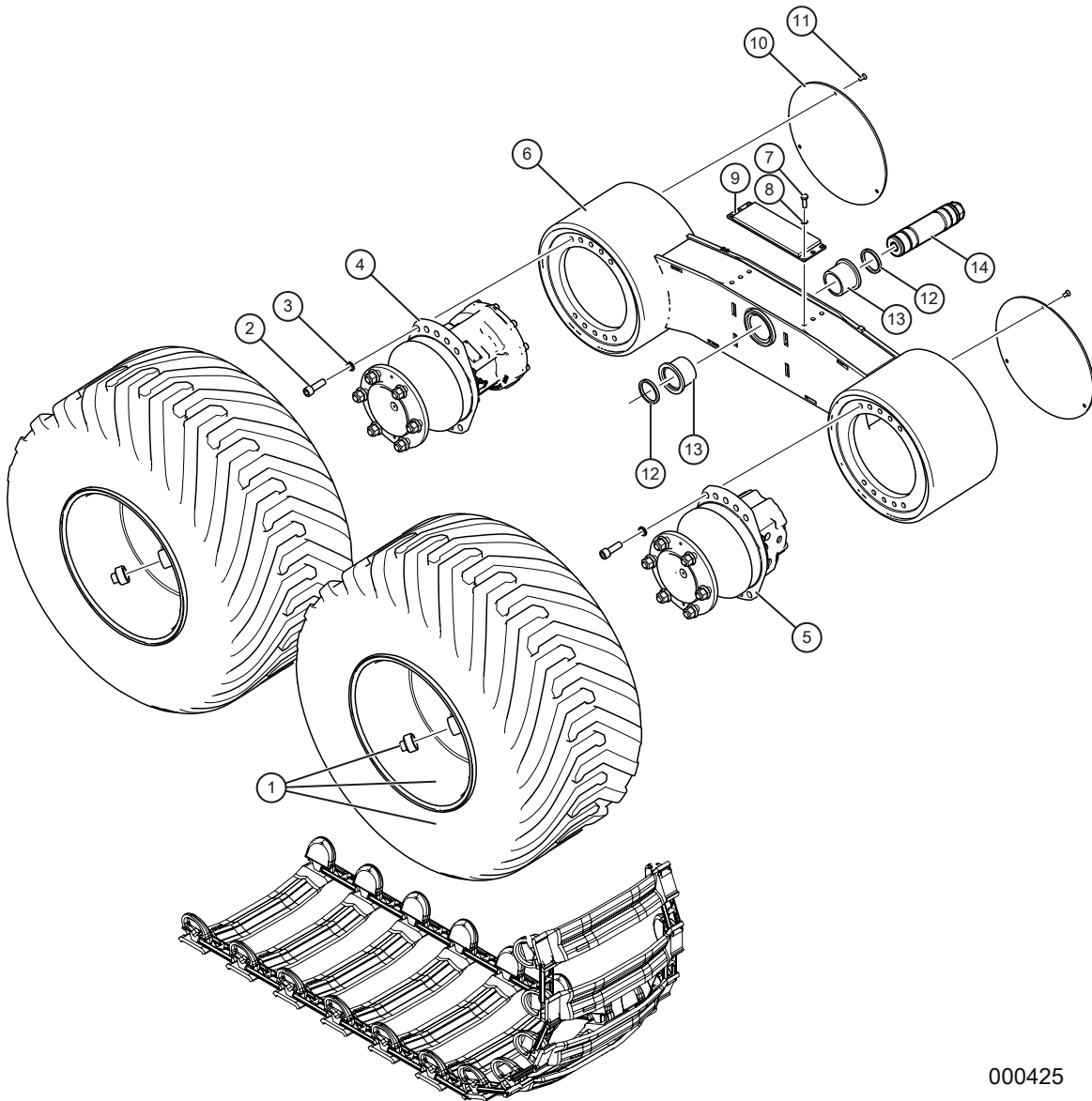
Counterweight with/without toolbox



Counterweight with/without toolbox

Pos	Art.	Qty.	Description	Remarks
1	TE-703742	1 pc	Lower part counterweight	Replaces TE-701481
2	TE-703873	1 pc	Upper part counterweight	With toolbox. Replaces TE-701481 From T23-032.
3	TE-701499	2 pcs	Lid for tool box	
4	KT-0447R	2 pcs	Hinge	
5	K6075	10 pcs	Screw	M6S 8x20 8.8 FZB
6	KT-267899	10 pcs	Lock nut	M8 FZB
7	KT-267855	2 pcs	Lashing ring	
8	K6085-001	4 pcs	Screw	MF6S 6x20 10.9 FZB
9	K6077-201	1 pc	Screw	M6SH 16x40 8.8 FZB
10	TE-701542	1 pc	Washer counterweight	
11	KT-791026	2 pcs	Shackle	
12	KT-267295	4 pcs	Shackle	
13	TE-703633	2 pcs	Chain	6 links
14	TE-703969	1 pc	Upper part counterweight	Without tool box. Replaces TE-702873

Wheel suspension, welded bogie - Poclain

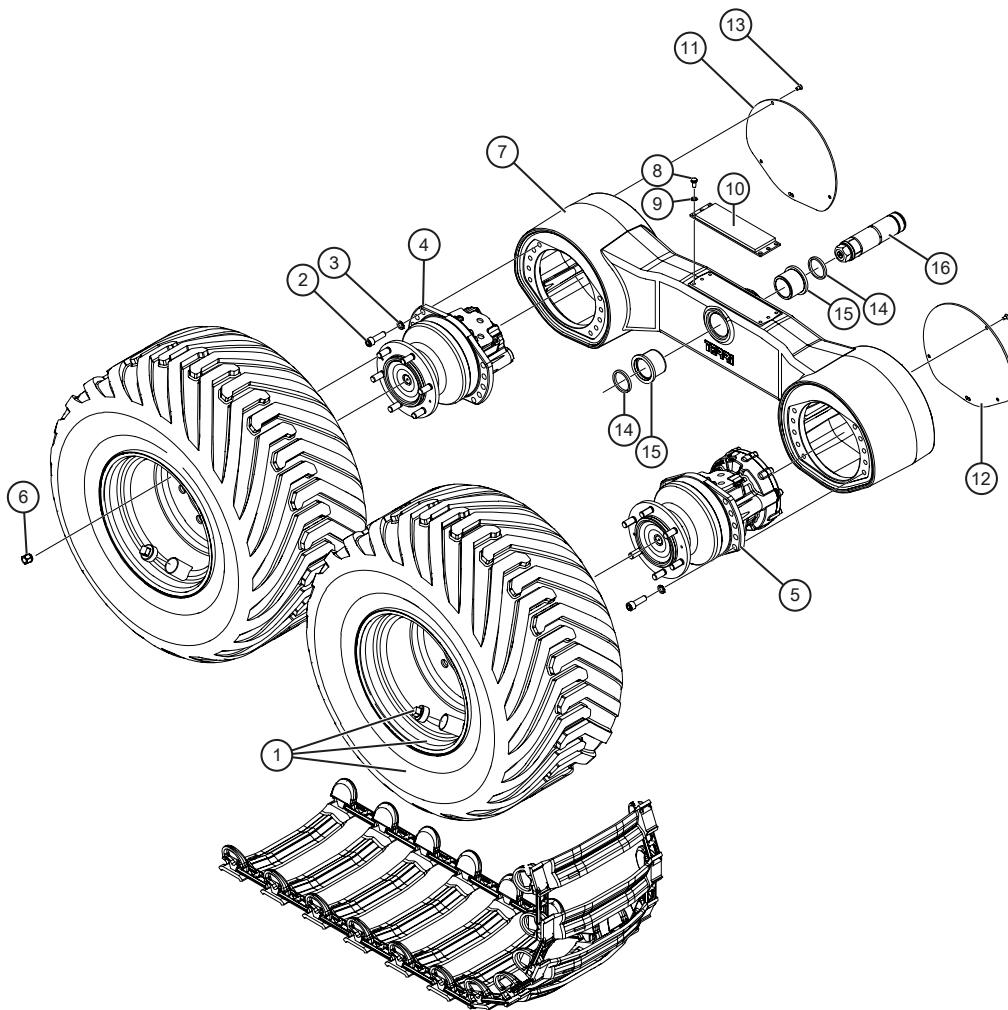


000425

Wheel suspension, welded bogie - Poclairn

Pos	Art.	Qty.	Description	Remarks
1	KT-791186H	2 pcs	Wheel complete	Right, Poclairn Reinforced
1	KT-791186V	2 pcs	Wheel complete	Left, Poclairn Reinforced
-	KT-791046	2 pcs	Tyre	TVS 500/50-17
-	KT-790967	2 pcs	IMP & inner tube	500/50-17
-	KT-791326	2 pcs	Rim	Reinforced, Red, Poclairn 8WD
-	KT-791166	2 pcs	Protection cover	Rim
2	KT-6067-281	20 pcs	Hex screw	MC6S 16x50 12.9 FZB
3	K6163-002	20 pcs	Locking washer	Nordlock M16
4	KT-791226	1 pc	In-wheel motor	With parking brake 1248cc Poclairn
5	KT-791225	1 pc	In-wheel motor	Without parking brake 1248cc Poclairn
6	TE-702295	1 pc	Bogie, welded	Left
6	TE-702296	1 pc	Bogie, welded	Right
7	K6077-02	6 pcs	Screw	M6S 10x30 8.8 FZB ISO 4017
8	K6163-003	6 pcs	Locking washer	Nordlock M10
9	TE-701735	1 pc	Damper	Bogie arm, 8WD
10	TE-702310	2 pcs	Cover	In-wheel motor Poclairn
11	K6085-021	6 pcs	Screw	MF6S 8x20 8.8
12	KT-791131	2 pcs	Wiper	Bogie bearing
13	TE-701951	2 pcs	Bearing	Bogie
14	KT-790988	1 pc	Expander shaft	Bogie arm
-	KT-790988-1	2 pcs	O-ring	Right/Left
-	KT-790988-2	1 pc	Sleeve	Right. Std
-	KT-790988-9	1 pc	Sleeve	Left. Std
-	KT-790988-5	1 pc	Washer	
-	KT-790988-6	1 pc	Nut	
-	KT-790988-7	1 pc	Stud bolt	M24 grease L:243
-	KT-790988-8	1 pc	Grease nipple	1/8"
	KT-790988-3		Sleeve	Right. TDC
	KT-790988-4		Sleeve	Left. TDC

Wheel suspension, cast bogie - Poclain



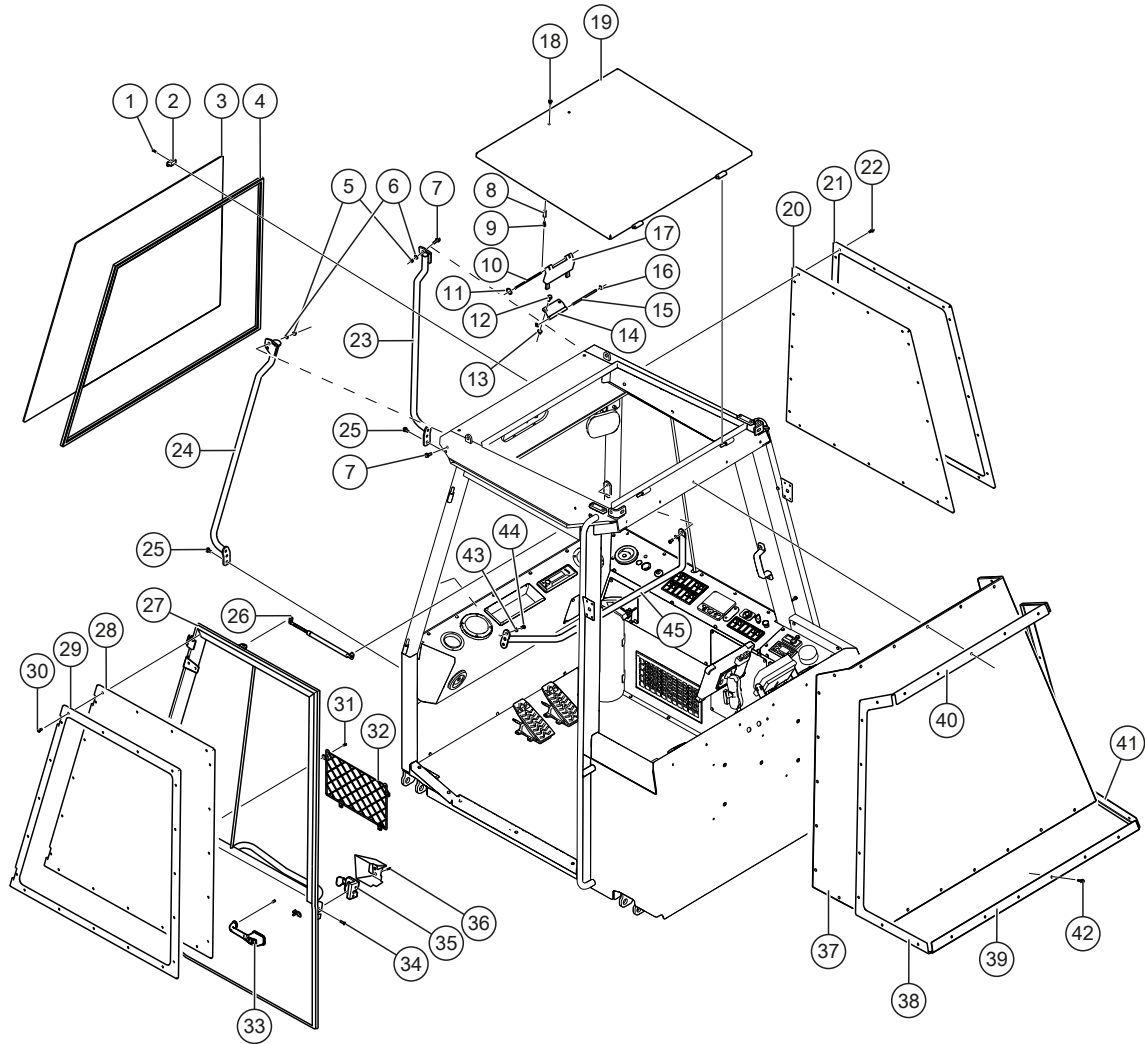
000424

Wheel suspension, cast bogie - Poclairn

Pos	Art.	Qty.	Description	Remarks
1	KT-791186H	2 pcs	Wheel complete	Right, Poclairn Reinforced
	KT-791186V	2 pcs	Wheel complete	Left, Poclairn Reinforced
-	KT-791046	2 pcs	Tyre	TVS 500/50-17
-	KT-790967	2 pcs	IMP & inner tube	500/50-17
-	KT-791326	2 pcs	Rim	Reinforced, Red, Poclairn 8WD
-	KT-791166	2 pcs	Protection cover	Rim
2	KT-6067-281	20 pcs	Hex screw	MC6S 16x50 12.9 FZB
3	K6163-002	20 pcs	Locking washer	Nordlock M16
4	KT-791225	1 pc	In-wheel motor	Without parking brake 1248cc Poclairn
5	KT-791226	1 pc	In-wheel motor	With parking brake 1248cc Poclairn
6	KT-791238	12 pcs	Wheel nut	M18x1.5
7	TE-702846	1 pc	Bogie, cast	Right
	TE-702847	1 pc	Bogie, cast	Left
8	K6077	6 pcs	Screw	M6S 10x20 FZB ISO 4017
9	K6163-003	6 pcs	Locking washer	Nordlock M10
10	TE-701735	1 pc	Damper	Bogie arm, 8WD
11	TE-703114	1 pc	Cover	I
12	TE-703115	1 pc	Cover	II
13	09-267485	6 pcs	Screw	MF6S 8x16 8x8 FZB
14	KT-791131	2 pcs	Wiper	Bogie bearing
15	TE-701951	2 pcs	Bearing	Bogie
16	KT-790988	1 pc	Expander shaft	Bogie arm
-	KT-790988-1	2 pcs	O-ring	Right/Left
-	KT-790988-2	1 pc	Sleeve	Right. Std
-	KT-790988-9	1 pc	Sleeve	Left. Std
-	KT-790988-5	1 pc	Washer	
-	KT-790988-6	1 pc	Nut	
-	KT-790988-7	1 pc	Stud bolt	M24 grease L:243
-	KT-790988-8	1 pc	Grease nipple	1/8"
	KT-790988-3		Sleeve	Right. TDC
	KT-790988-4		Sleeve	Left. TDC

7 CAB

Windows, doors and hatches

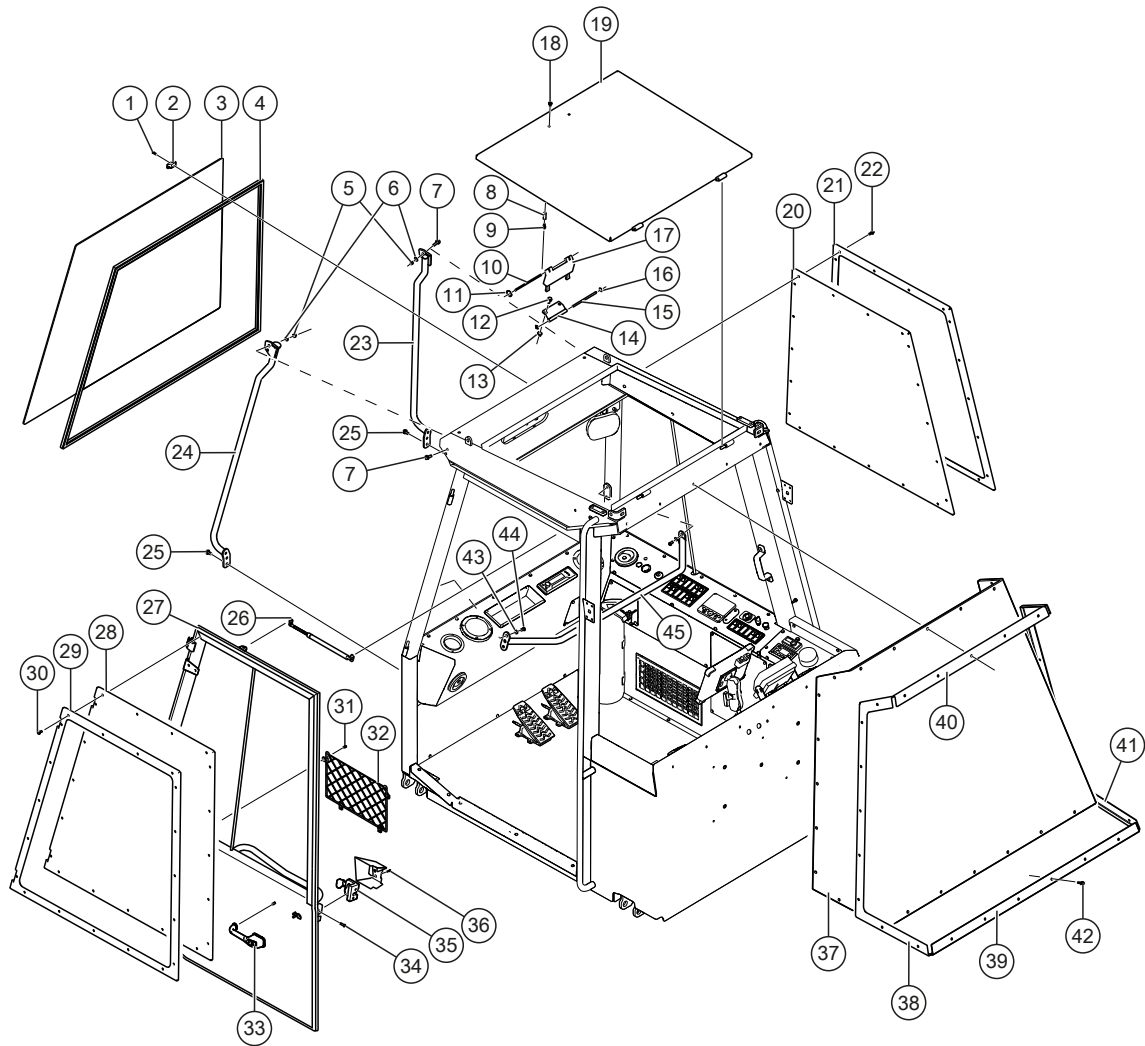


000437

Windows, doors and hatches

Pos	Art.	Qty.	Description	Remarks
1	K6078-310	8 pcs	Screw	K6S 5x16 10.9 FZB
2	KT-790692	8 pcs	Glass mount windscreen	
3	KT-63155	1 pc	Windscreen	
4	KT-0541	LM	Sealing strip windscreen	L=4000 mm
5	K6134	4 pcs	Lock nut	Nyloc M8 FZB
6	K6151	4 pcs	Flat washer	BRB M8
7	09-266037	4 pcs	Flange screw	M6SF 8x25
8	KT-162820	2 pcs	Spacer nut	M6HM M6x30x10 FZB
9	KT-52996	2 pcs	Bolt, window lock	
10	KT-52933	1 pc	Dowel window lock	
11	KT-790700	1 pc	Key ring	25 mm
12	09-266036	2 pcs	Flange screw	M6SFT 8x20 8.8 FZB
13	09-265605	2 pcs	Flange lock nut	LM6MF 8 FZB
14	TE-67545	1 pc	Fittings for roof hatch	
15	KT-52971	1 pc	Axle pin, window lock	
16	KT-790710	2 pcs	Clip	
17	KT-790690	1 pc	Handle roof hatch	
18	09-265543	2 pcs	Flange screw	M6SFT 6x12 8.8 FZB
19	TE-38339	1 pc	Roof hatch	
	T3999042	LM	Edge strip roof hatch	L=3200 mm
20	KT-63189	1 pc	Side window	SAPHIR 8 mm
21	TE-38330	1 pc	Side window frame	Right
22	09-266243	19 pcs	Flange screw	M6SFT 6x16 8.8 FZB
23	TE-701760	1 pc	Guard right, windscreen	
24	TE-701761	1 pc	Guard left, windscreen	
25	09-267180	4 pcs	Flange screw	M6SFT 8x16 8.8 FZB
26	T53030	1 pc	Gas cylinder	
	T6493506	2 pcs	Swivel joint	M6/M8
	09-267024	2 pcs	Bracket, ball fitting	M8
27	TE-38329	1 pc	Door frame	
	KT-0547C	LM	Rubber strip around door	L=4800 mm
28	KT-63186	1 pc	Door window	SAPHIR 8 mm
29	TE-38331	1 pc	Door window frame	
	KT-580908	LM	Butyl tape	8 mm. Seal side window, door, rear window
30	09-266243	19 pcs	Flange screw	M6SFT 6x16 8.8 FZB
31	09-266326	4 pcs	Screw	MRT-TT 6X12 FZB

Windows, doors and hatches

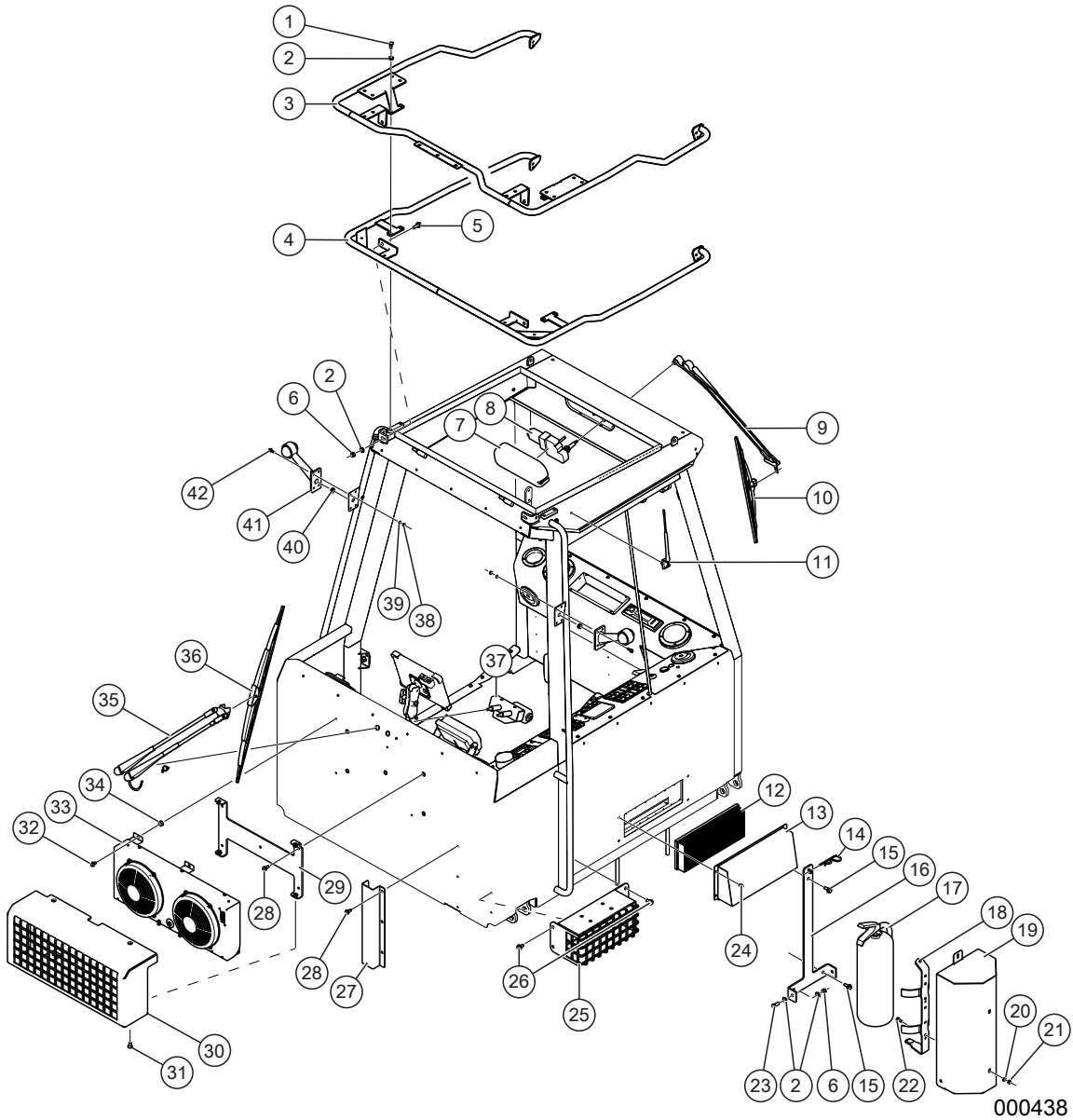


000437

Windows, doors and hatches

Pos	Art.	Qty.	Description	Remarks
32	KT-840500	1 pc	Mesh pocket	360x220
33	KT-790691	1 pc	Door handle with lock	
	KT-790691-1		Key for door handle with lock	
34	K6085-0012	2 pcs	Screw	MF6S 6x25 10.9 FZB
	K6133	2 pcs	Lock nut	Nyloc M6 FZB
35	KT-890038	1 pc	Safety lock, left	
	KT-890039	1 pc	Locking pin	M12
	KT-890040	1 pc	Nut	M12x1.0
	KT-003602	1 pc	Protective bar, lock	
36	TE-702902	1 pc	Cover for locking mechanism	
37	KT-38890	1 pc	Rear window	SAPHIR 12 mm
38	TE-38891V	1 pc	Rear window bracket	Left
39	TE-67549	1 pc	Rear window bracket	Lower
40	TE-67548	1 pc	Rear window bracket	Upper
41	TE-38891H	1 pc	Rear window bracket	Right
42	09-266035	27 pcs	Flange screw	M6SFT 6x25 8.8 FZB
43	K6163-004	4 pcs	Locking washer	Nordlock M8
44	81-0467	4 pcs	Screw	K6S 8x16 FZB
45	TE-702806	1 pc	Handle in cab	

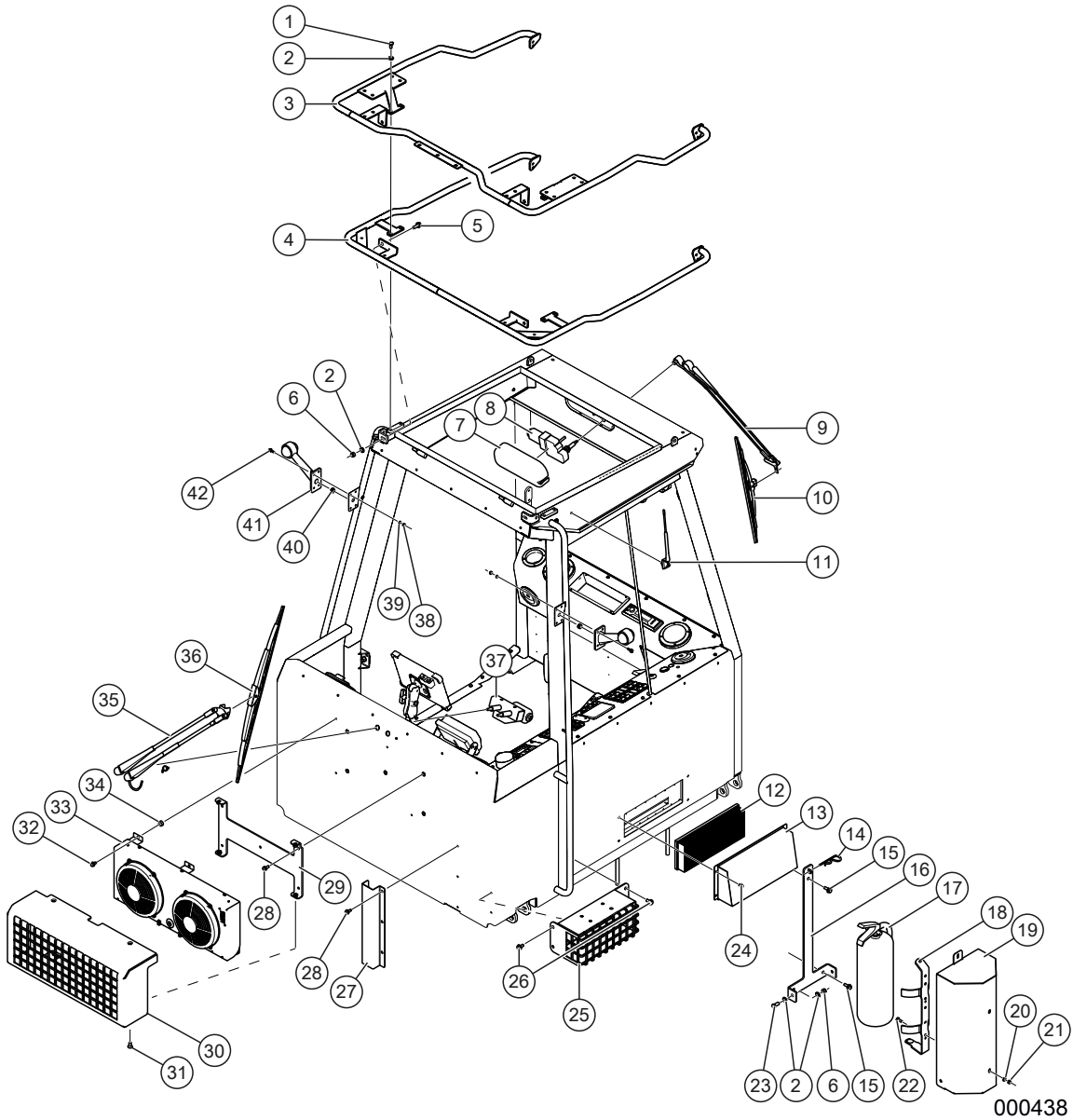
Cab, exterior



Cab, exterior

Pos	Art.	Qty.	Description	Remarks
1	K6077-01	4 pcs	Screw	M6S 10x16 8.8 FZB
2	83-0051-FZB	6 pcs	Washer	BRB 10.5x22x2.0 FZB
3	TE-702517	1 pc	Loose roof rack	High
4	TE-702520	1 pc	Loose roof rack	Low
5	09-267053	2 pcs	Flange screw	M6SFT 10x30 8.8 FZB
6	K6135	4 pcs	Lock nut	Nyloc M10 FZB
7	KT-68140015	1 pc	Protective cover, wiper motor	Front
8	KT-240001	1 pc	Wiper motor, 24V	Windscreen, see <i>Lighting and wiper motors</i> , page 205
9	T53003	1 pc	Wiper arm	Front
10	T53002	1 pc	Wiper blade	Front
11	KT-791098	1 pc	Aerial	DAB FM/AM
12	T53009	1 pc	Filter air intake	
13	TE-38346	1 pc	Filter cover	
14	KT-2326	1 pc	Cotter pin	5 mm
15	09-267027	3 pcs	Flange screw	M6SFT 10x25 8.8 FZB
16	TE-701539	1 pc	Fire extinguisher bracket	
17	KT-790050	1 pc	Fire extinguisher	6 kg. Incl. bracket.
-18	KT-790050-1	1 pc	Bracket	
19	TE-701536	1 pc	Cover fire extinguisher	
20	K6151	2 pcs	Flat washer	BRB M8 FZB
21	K6134	2 pcs	Lock nut	Nyloc M8 FZB
22	K6075	2 pcs	Screw	M6S 8x20 8.8 FZB
23	K6078-02	2 pcs	Screw	M6S 10x25 8.8 FZB
24	09-265543	4 pcs	Flange screw	M6SFT 6x12
25	TE-700466	1 pc	Lamp guard	
26	09-265702	4 pcs	Flange screw	M6SFT 10x20 8.8 FZB
27	TE-702634	1 pc	Cover AC hoses	
28	09-266036	8 pcs	Flange screw	M6SFT 8x20 8.8 FZB
29	TE-701100	1 pc	Bracket AC condenser protective cover	
30	TE-702572	1 pc	Protective cover AC condenser	
31	K6058-40	4 pcs	Screw	MF6S 10x20 10.9 FZB
32	09-267180	4 pcs	Flange screw	M6SFT 8x16 8.8 FZB
33	KT-5001508	1 pc	Accessory kit, AC	Poclaine
34	TE-701235	4 pcs	Spacer engine hood	
35	KT-790695	1 pc	Wiper arm	Rear. L=650 mm (parallel)
	KT-790696	1 pc	Spray nozzle for arm	

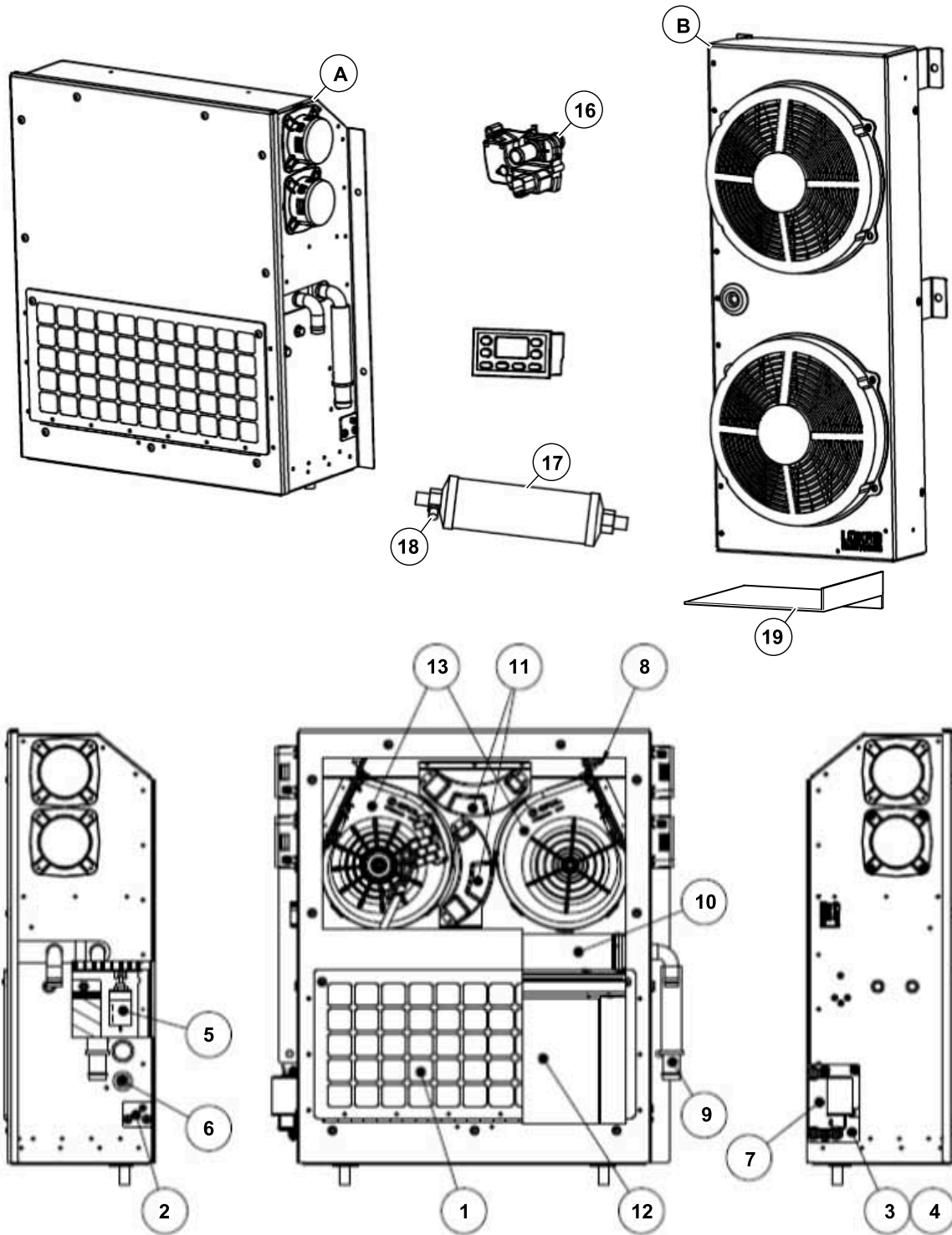
Cab, exterior



Cab, exterior

Pos	Art.	Qty.	Description	Remarks
	TE-790697	1 pc	Clamp	12x4
	KT-790698	LM	Washer hose	3.5 X 6 mm Black. L=700 mm
	KT-186204	LM	PVC hose	5.0 x 1.5. L=2500 mm. Between washer pump and wiper
	KT-65669020	1 pc	Grommet, washer	
36	KT-790694	1 pc	Wiper blade	Rear. L=800 mm
37	KT-240000	1 pc	Wiper motor, 24V	Rear window, see <i>Lighting and wiper motors</i> , page 205
38	K6133	8 pcs	Lock nut	Nyloc M6 FZB
39	K6150	8 pcs	Washer	BRB M6 FZB
40	KT-186307	2 pcs	Cable grommet	
41	T50462	1 pc	Turn signal arm, pair. W/o bulb	
42	09-267180	4 pcs	Flange screw	M6SFT 6x20 8.8 FZB

Air conditioner ECC kit

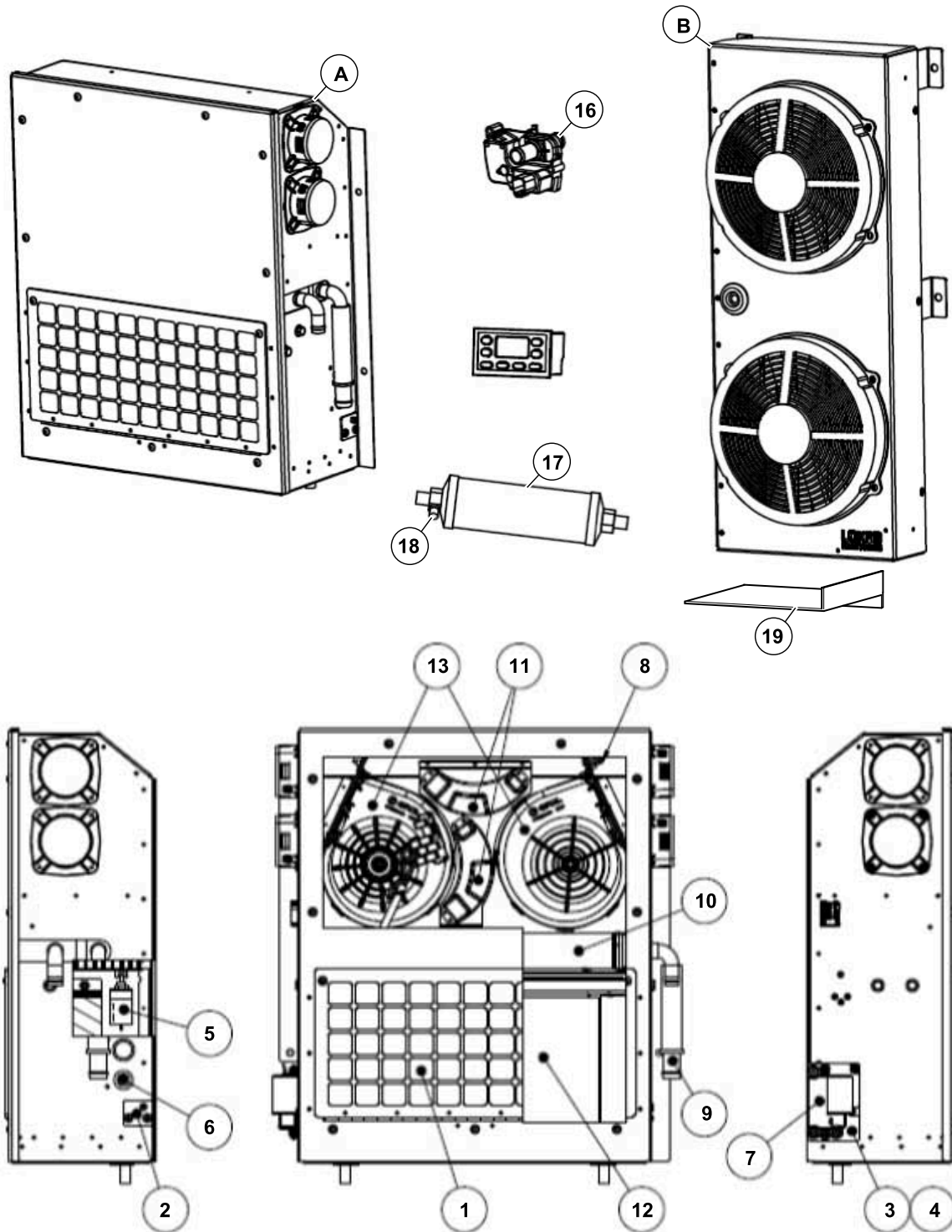


000039

Air conditioner ECC kit

Pos	Art.	Qty.	Description	Remarks
A	KT-240043	1 pc	HVAC unit	24V
	KT-8002520		Block	9-pin
	KT-8002163		Sleeve	0.5-1.0 mm ²
	KT-791233	1 pc	Wiring harness ECC controller	
	KT-5001488		Accessory kit, AC	Black Bruin
	KT-5001508		Accessory kit, AC	Poclaine
	KT-790775	2 pcs	Y-pipe defroster hose	
	KT-790712	1 pc	Sensor	Outside
	KT-790779	2 pcs	Sensor	Inside
	KT-790780	1 pc	Water valve, stepless	
	KT-791491	1 pc	ECC controller	Replaces KT-791313
	KT-240038	2 pcs	Fan, air, heater assembly	24V
	KT-790037		O-ring	5/8" #6 R134a 10 pack
	KT-790038		O-ring	3/4" #8 R134a 10 pack
	KT-790039		O-ring	7/8" R12 and R134a 10 pack
	KT-765020		AC compressor	
	KT-7003416		Adapter	Large
	KT-7003426		O-ring	Large
	KT-7003417		Adapter	Small
	KT-7003427		O-ring	Small
B	KT-240039	1 pc	AC condensor	Complete, 24V
-	KT-703306	1 pc	Wiring harness	AC condensor
-	KT-240040	2 pcs	Fan condensor	24V
-	KT-2719192	2 pcs	Contact	DT 2-pin male
-	KT-790042	1 pc	Condensor element	596x191x48
1	KT-791335	1 pc	Coarse filter	
2		1 pc	Damper plate attachment	
3		1 pc	Service hatch	Complete
4		1 pc	Damper plate	Complete
5	KT-791385	1 pc	Thermostat, adjustable	
6	KT-790069	1 pc	Expansion valve	1.5 tonne type block
7	KT-8003348	1 pc	Conversion kit damper motor	
-	KT-8003335	1 pc	Damper motor heater assembly	
-	KT-8003336		Contact damper motor	7-pin
-	KT-8003337		Sleeve	0.5-1.25 mm
8	KT-790779	2 pcs	Sensor inside	Inside

Air conditioner ECC kit

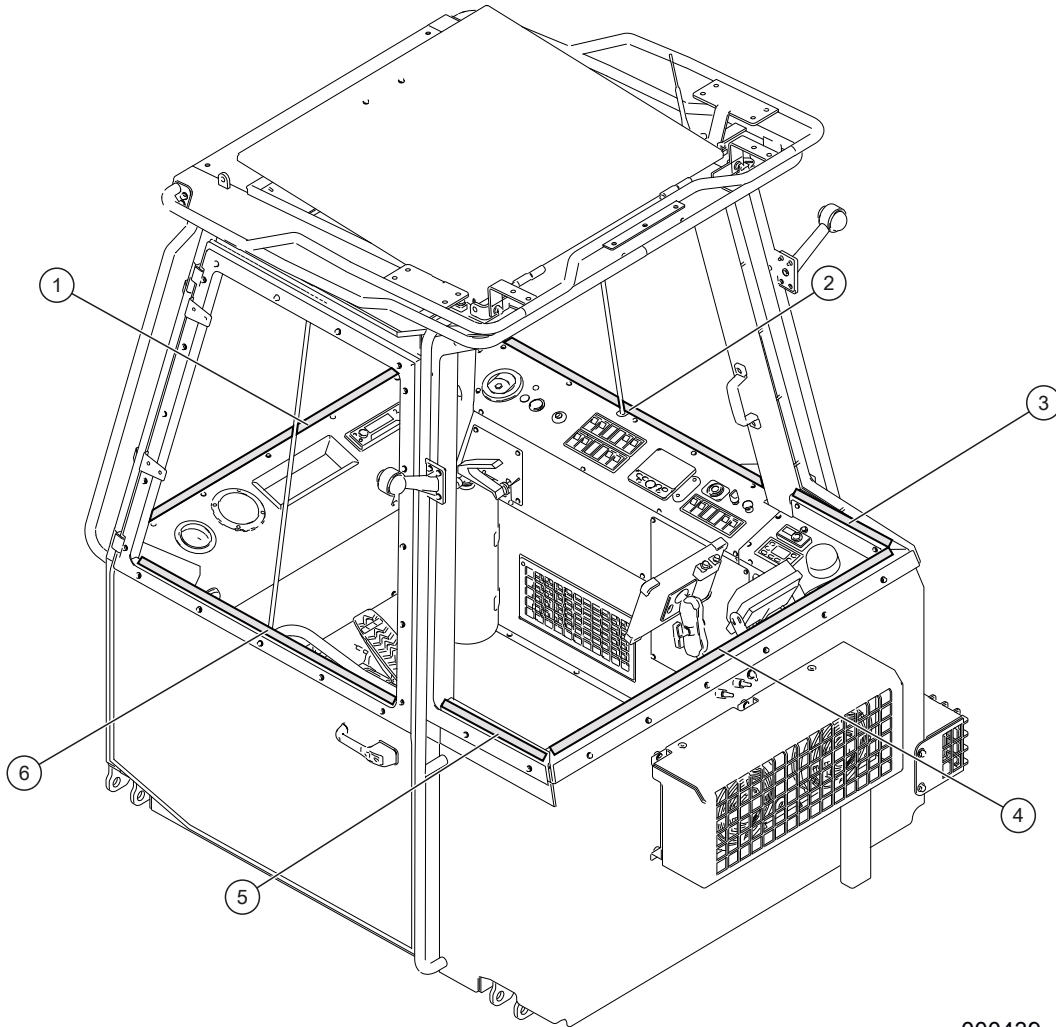


000039

Air conditioner ECC kit

Pos	Art.	Qty.	Description	Remarks
9	KT-8002478	2 pcs	Connection pipe, plastic	D=16-19 mm, L=60
10	KT-790769	1 pc	Heating element	
11	KT-240037	2 pcs	Fan controller ECC	Complete, 24V
12	KT-791386	1 pc	Cooling element HVAC unit	
13	KT-240038	2 pcs	Fan, air, heater assembly	24V
14		1 pc	Wiring harness	12V. Not illustrated
15		2 pcs	Wiring harness fan	Not illustrated
16	KT-790780	1 pc	Water valve, stepless	
17	KT-790832	1 pc	Dryer filter AC, horizontal	
18	KT-790046	1 pc	Pressure switch	High/Low 28-2.0 bar
19	TE-700984	1 pc	Protective cover AC condenser	Lower

Sunshields



000439

Sunshields

Pos	Art.	Qty.	Description	Remarks
	KT-790881		Sunshields	Kit
1	KT-790881-1		Sunshield	Window 1
	KT-790881-10		Mounting kit	Complete. Window 1
2	KT-790881-2		Sunshield	Window 2
	KT-790881-20		Mounting kit	Complete. Window 2
3	KT-790881-3		Sunshield	Window 3
	KT-790881-30		Mounting kit	Complete. Window 3
4	KT-790881-4		Sunshield	Window 4
	KT-790881-40		Mounting kit	Complete. Window 4
5	KT-790881-5		Sunshield	Window 5
	KT-790881-50		Mounting kit	Complete. Window 5
6	KT-790881-6		Sunshield	Window 6
	KT-790881-60		Mounting kit	Complete. Window 6



8 SEAT

Seat features

BeGe 3130L C2 Airvent



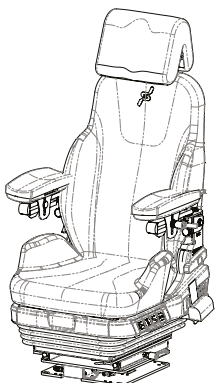
- Air suspended
- XSS foam in seat and backrest cushion with extra side support
- Manual air system (Push-Pull)
- Stepless adjustable shock absorbers
- 640mm backrest
- Sliderrails for forestry & construction use 140 mm
- Adjustable seat cushion 94mm
- Stepless tilt adjustment for seat cushion -4° to +12° (Air operated 30-series)
- Air operated lumbar support, side support (Standard for 30-series)
- 2-point belt
- Weight independent height adjustment 100mm
- Built in 12V compressor (Only 31-series)
- Electrical heating
- Airvent (Active ventilation in seat and backrest)
- Night fall

BeGe 7130L C2



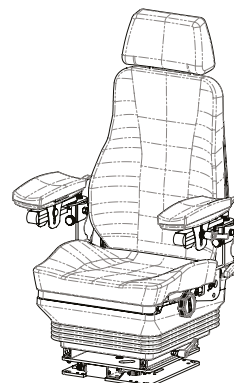
- Air suspended
- Weight independent height adjustment 80mm
- Stepless tilt adjustment for seat cushion 8°
- 3" 2-point belt
- 640mm backrest
- Manual air system (Push-Pull)
- Built in 12V compressor
- XSS foam in seat and backrest cushion with extra side support (Only 640mm rygg)
- Quick release backrest adjustment
- Electrical heating
- Night fall

Seat 3130L C2 (54618397)

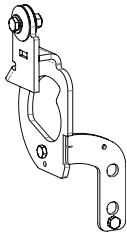


- Seat
- Seat brackets
- Armrests
- Turntable
- Slide rails
- Comfort neckrest
- 2P belt

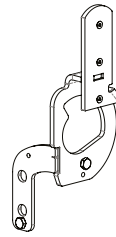
Seat 7130L C2 (54618473)



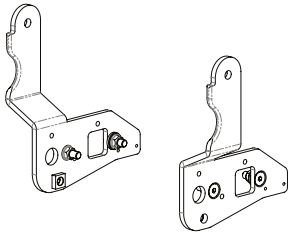
- Seat
- Seat brackets
- Armrests
- Turntable
- Slide rails
- Std neckrest
- 2P belt



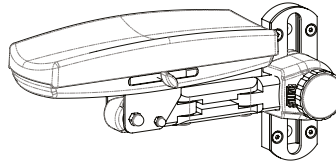
Seat bracket BeGe 3000
800702 LH
800703 RH



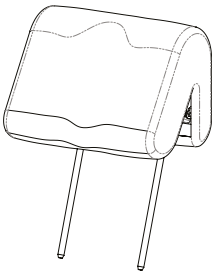
Seat bracket BeGe
800730 RH
800731 LH



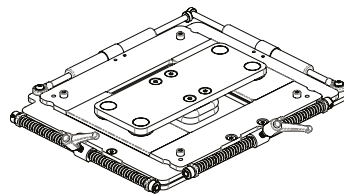
**Seat bracket Kserie BeGe
7000/9000 TJ LH+RH**
800101



Armrests
800170 Armflex E 80 LH
800171 Armflex E 80 RH

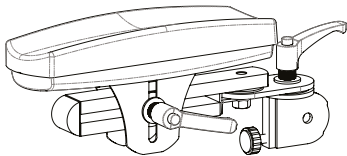


Head rest
42020203-1

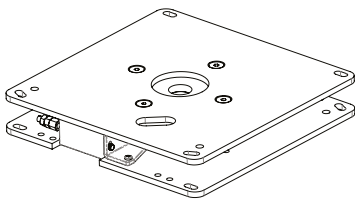


Isolator 4-way
14020310

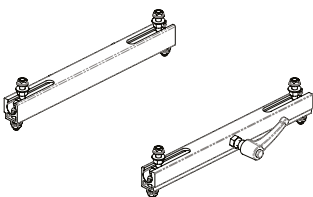
*Optional



Armrest
800113 Armrest K/4/25 LH
800114 Armrest K/4/25 RH



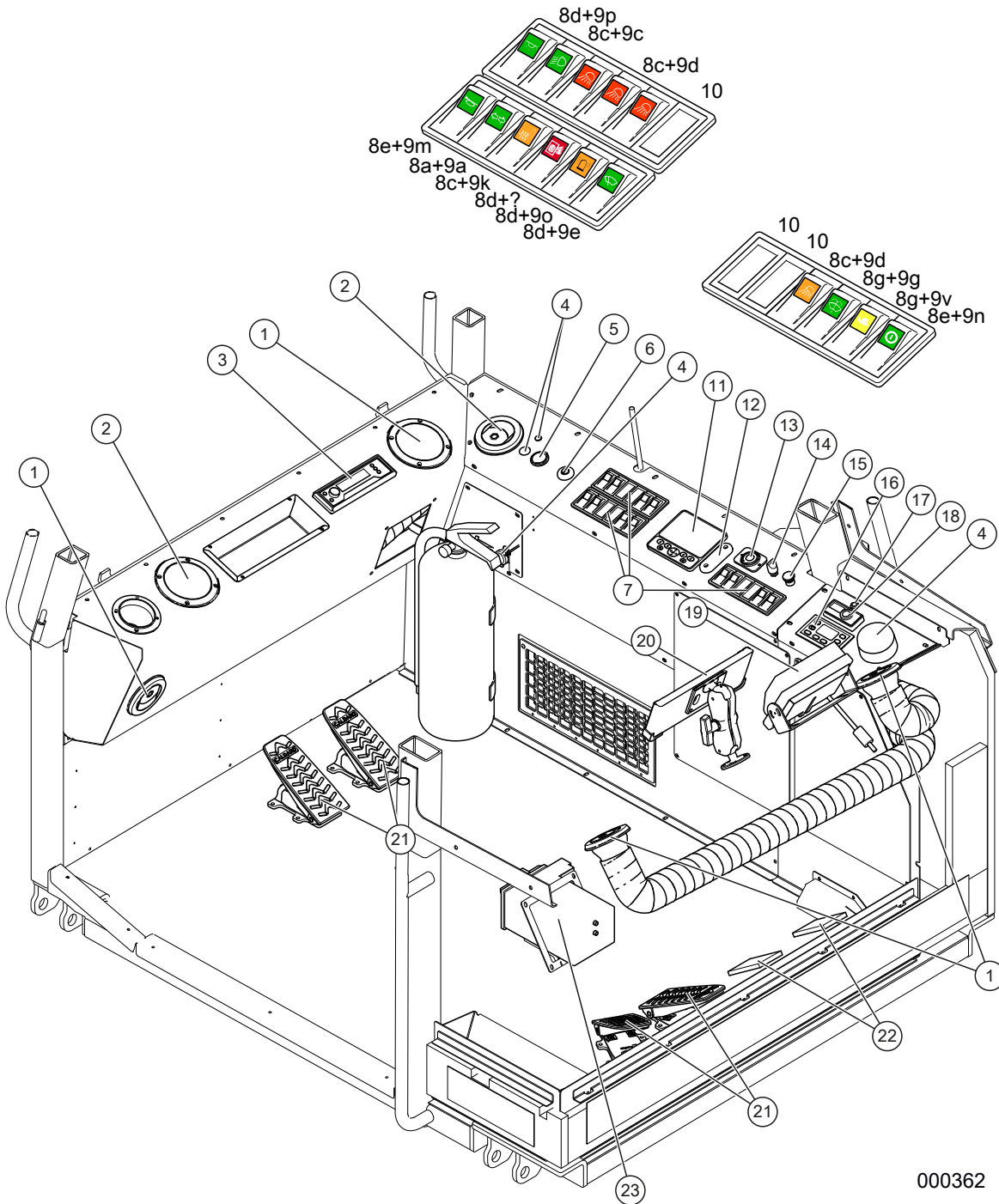
Turntable EV97
13030877



**Slides 280 mm (for 7130-
seat only)**
22020202

9 ELECTRICAL SYSTEM

Switches etc. inside cab

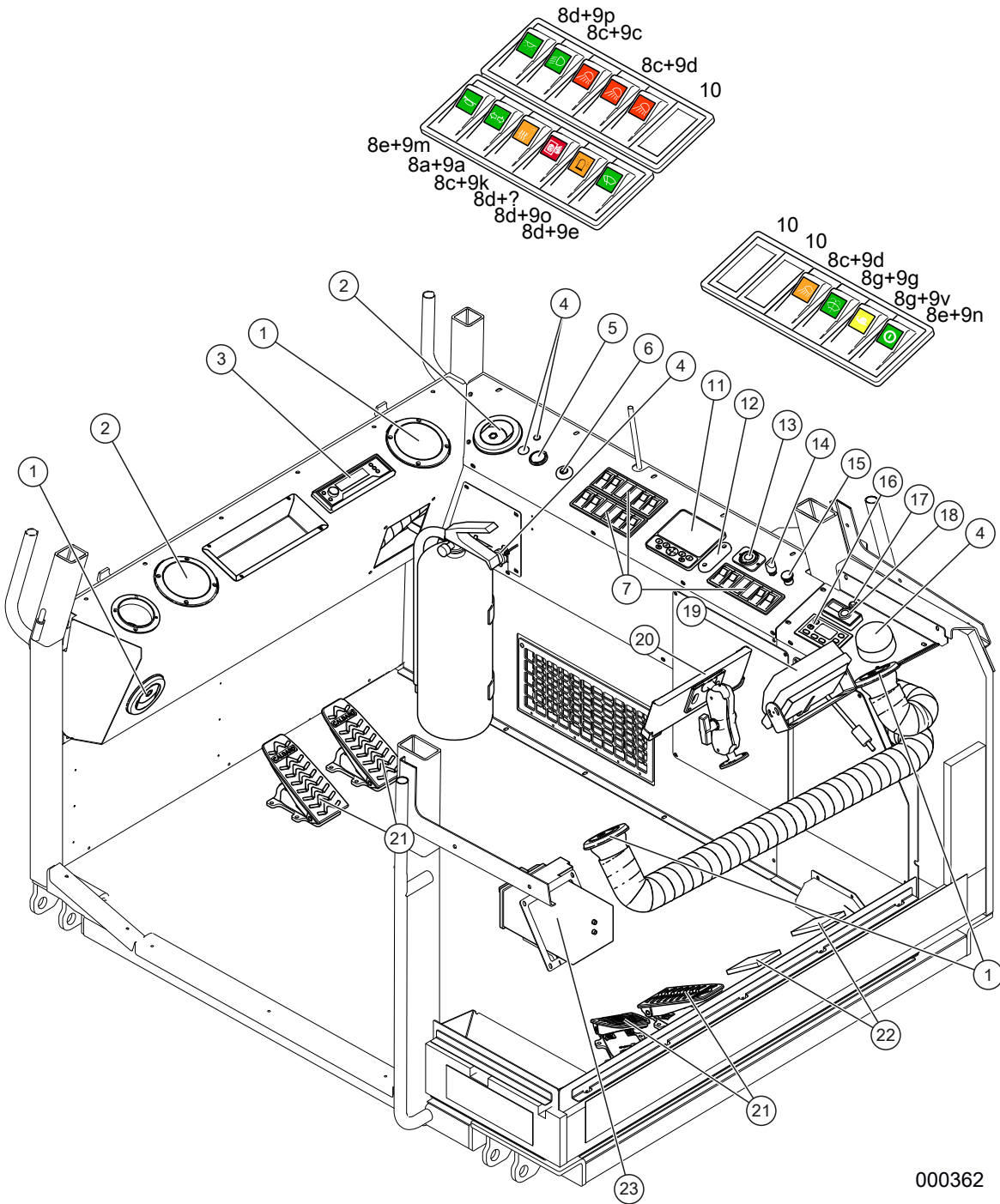


000362

Switches etc. inside cab

Pos	Art.	Qty.	Description	Remarks
				Up to machine T23-026. Not T23-016.
1	KT-790708	5 pcs	Air nozzle	
2	KT-791194	2 pcs	Speaker	
3	KT-791097	1 pc	DAB radio	12V. BT, USB, SD reader
4	KT-791310	1 pc	Fire suppression system Fogmaker	
5	KT-791264	1 pc	Socket	12V, recessed
6	KT-790863	1 pc	Immobiliser CAT	
-	KT-790863-1	1 pc	Key immobiliser CAT	
7	T4299181	3 pcs	Switch panel	
	T51079		Light bulb switch	
	T51078		Lamp holder switch	
8a	T50153		Switch 146	
b	KT-890049		Switch 020	
c	T4299185		Switch, 001	
d	KT-890049		Switch 020	
e	T50125		Switch 007	
f	T50330		Switch 112	
g	T50545		Switch 226	Wheeled machine
	KT-890049		Switch 020	Tracked machine
9a	T50128		Symbol	Turn signal
b	T4299189		Symbol	High beam
c	T4299190		Symbol	Low beam
d	T4299191		Symbol	Work lights
e	T50032		Symbol	Wiper
f	T4299195		Symbol	Brake
g	T50033		Symbol	Wiper/Washer
h	KT-791043		Symbol	Snail
l	KT-890135		Symbol	Differential lock
j	T50557		Symbol	Return oil filter
k	T50550		Symbol	Seat heater
l	T50366		Symbol	Red
m	T50127		Symbol	Signal
n	KT-790862		Symbol	OFF/ON
o	KT-790785		Symbol	Rotating beacon
p	KT-791272		Symbol	Internal light
10	T50237		Cover	

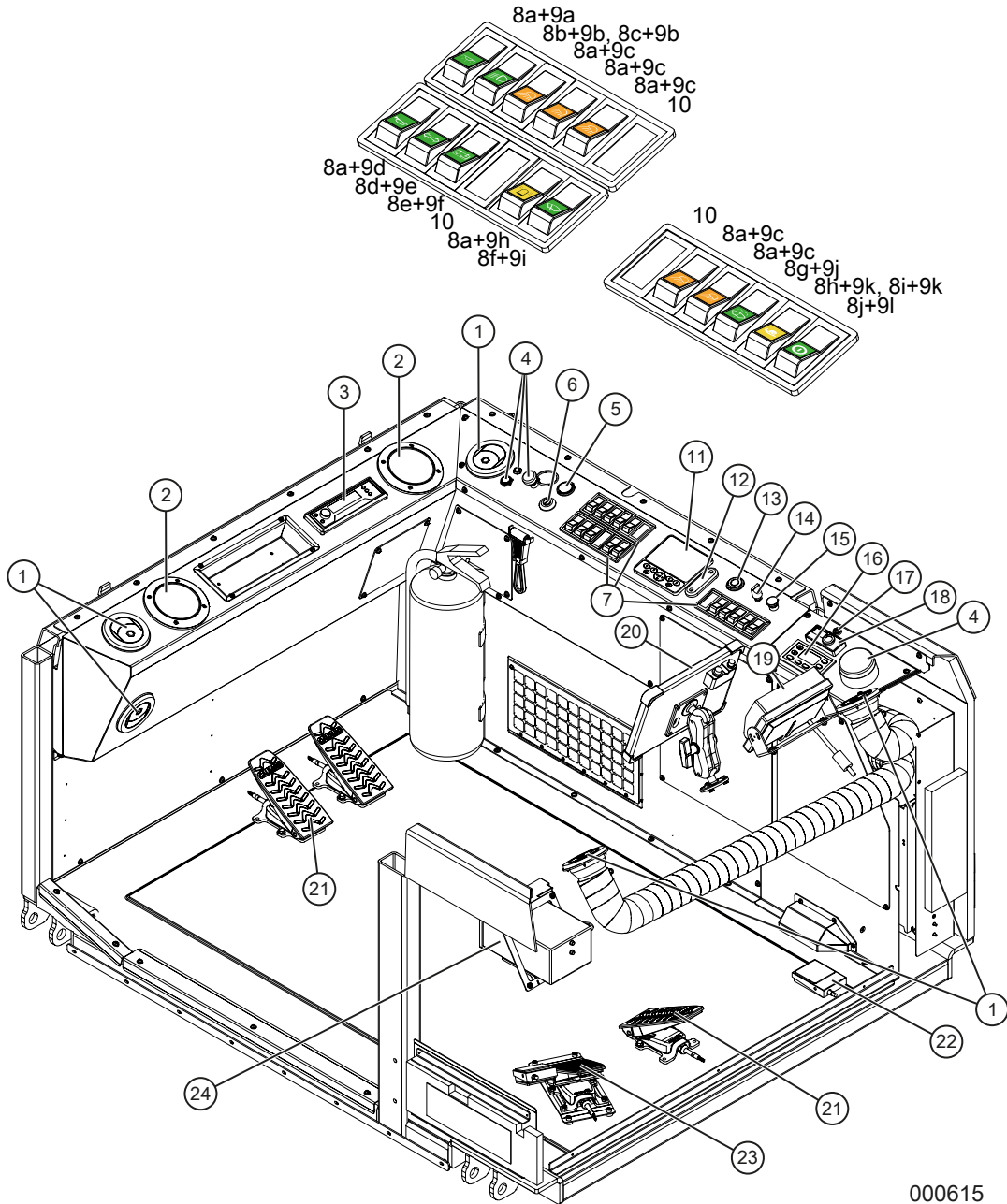
Switches etc. inside cab



Switches etc. inside cab

Pos	Art.	Qty.	Description	Remarks
11	KT-791203	1 pc	Display	Plus 1
-	KT-791203-1	1 pc	Bracket	
-	KT-791203-2	1 pc	Cable	
12	KT-4690135	1 pc	LED lamp	Red
13	KT-790948	1 pc	USB socket	Double
14	KT-790595	1 pc	Potentiometer	
15	KT-790879	1 pc	Emergency stop, CAT	
16	KT-791313	1 pc	ECC controller	Universal plus Series4
17	KT-791362	1 pc	Push button	Easy start web TP7.1
	KT-791363	1 pc	Push button	Easy start GSM
18	KT-240008	1 pc	Eberspächer controller	
19	KT-791116	1 pc	Camera assembly	7" HD
-	KT-791116-1	1 pc	Monitor	7" HD
-	KT-791116-2		Camera/Reversing camera	HD
-	KT-791116-3		Cable rear view camera	L=3000 mm
-	KT-791116-4		Cable rear view camera	L=5000 mm
-	KT-791116-5		Cable rear view camera	L=10000 mm
-	KT-791116-6		Cable rear view camera	L=15000 mm
20	KT-785179	1 pc	Logmax 510 display	
21	KT-791062	4 pcs	Foot pedal Caldaro	Incl. 1 m cable DTM
22	T50549	2 pcs	Foot switch	Articulation lock
23	KT-240009	1 pc	Lunch box heater	24V

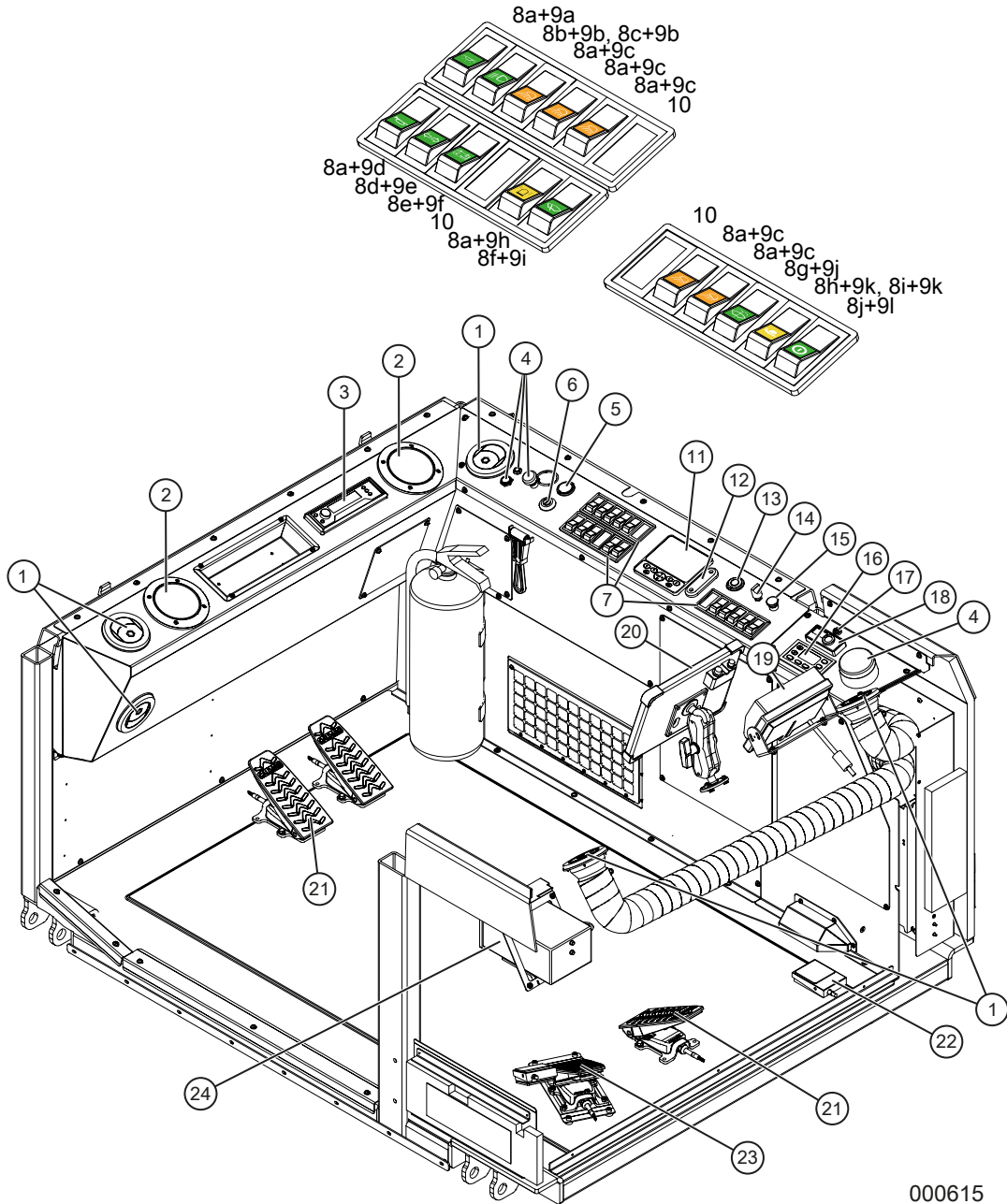
Switches etc. inside cab



Switches etc. inside cab

Pos	Art.	Qty.	Description	Remarks
				From machine T23-027. Also T23-016.
1	KT-790708	5 pcs	Air nozzle	
2	KT-791194	2 pcs	Speaker	
3	KT-791439	1 pc	DAB radio	24V. DAB/USB/BT/AUX
4	KT-791310	1 pc	Fire suppression system Fogmaker	
5	KT-791443	1 pc	Socket	24V, recessed
6	KT-790863	1 pc	Immobiliser	
-	KT-790863-1	1 pc	Key	
7	T4299181	3 pcs	Switch panel	
	T51079		Light bulb switch	
	T51078		Lamp holder switch	
8a	T4299185-1		Switch 000	
b	T4299186		Switch 026	H4
c	T50545		Switch 226	H7
d	T50153		Switch 146	
e	KT-791448		Switch 181	
f	KT-890049-1		Switch 019	
g	T50330		Switch 112	
h	T50153		Switch 146	Wheeled machine
i	T4299185-1		Switch 000	Tracked machine
j	KT-791060		Switch 127	
9a	KT-791272		Symbol	Internal light
b	T4299190		Symbol	Low beam
c	T4299191		Symbol	Work lights
d	T50127		Symbol	Signal
e	T50128		Symbol	Turn signal
b	T4299189		Symbol	High beam
c	T4299190		Symbol	Low beam
d	T4299191		Symbol	Work lights
e	T50032		Symbol	Wiper
f	TE-703541		Symbol	Power switch
g	T50550		Symbol	Seat heater (not illustrated)
h	KT-790785		Symbol	Rotating beacon
i	T50032		Symbol	Wiper
j	T50033		Symbol	Wiper/Washer
k	KT-890135		Symbol	Snail

Switches etc. inside cab

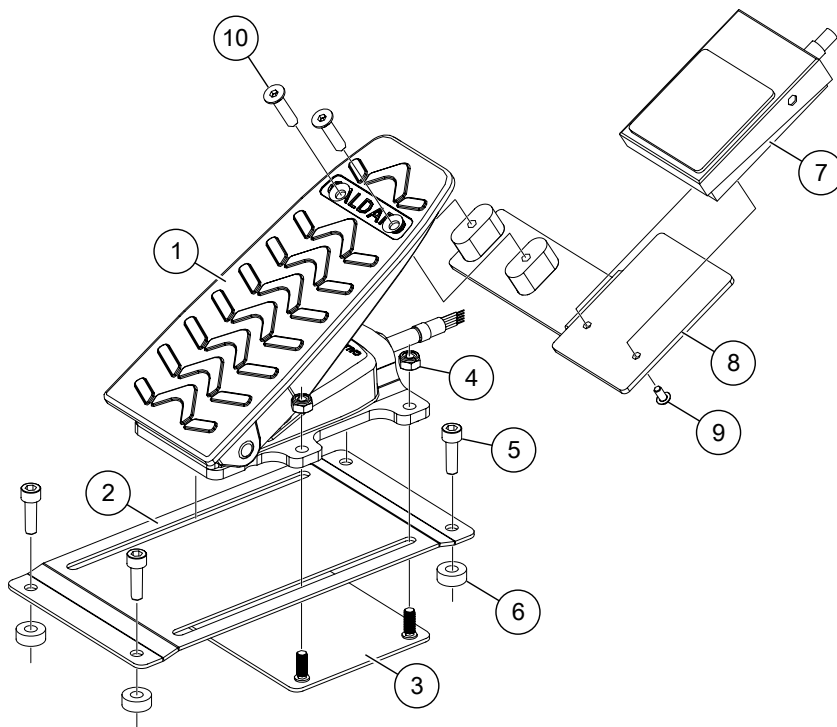


000615

Switches etc. inside cab

Pos	Art.	Qty.	Description	Remarks
I	KT-790862		Symbol	OFF/ON
10	T50237		Cover	
11	KT-791203	1 pc	Display	Plus 1
-	KT-791203-1	1 pc	Bracket	
-	KT-791203-2	1 pc	Cable	
12	KT-4690135	1 pc	LED lamp	Red
13	KT-791438	1 pc	Charging socket	USB-C/USB-A
14	KT-790595	1 pc	Potentiometer	
15	KT-790879	1 pc	Emergency stop	
16	KT-791313	1 pc	ECC controller	Universal plus Series4
17	KT-791362	1 pc	Push button	Easy start web TP7.1
	KT-791363	1 pc	Push button	Easy start GSM
18	KT-240008	1 pc	Eberspächer controller	
19	KT-791116	1 pc	Camera assembly	7" HD
-	KT-791116-1	1 pc	Monitor	7" HD
-	KT-791116-2		Camera/Reversing camera	HD
-	KT-791116-3		Cable rear view camera	L=3000 mm
-	KT-791116-4		Cable rear view camera	L=5000 mm
-	KT-791116-5		Cable rear view camera	L=10000 mm
-	KT-791116-6		Cable rear view camera	L=15000 mm
20	KT-785179	1 pc	Logmax 510 display	
21	KT-791062	3 pcs	Foot pedal Caldaro	Incl. 1 m cable DTM
22	T50549	1 pc	Foot switch	Articulation lock. Up to machine T24-004.
	T50549	1 pc	Foot switch	articulation lock/Direction of travel. From machine T24-005
23		1 pc	Throttle pedal, moveable	See <i>Throttle pedal, moveable with foot switch for direction of travel</i> , page 189 or <i>Throttle pedal, moveable without foot switch for direction of travel</i> , page 191.
24	KT-240009	1 pc	Lunch box heater	24V

Throttle pedal, moveable with foot switch for direction of travel

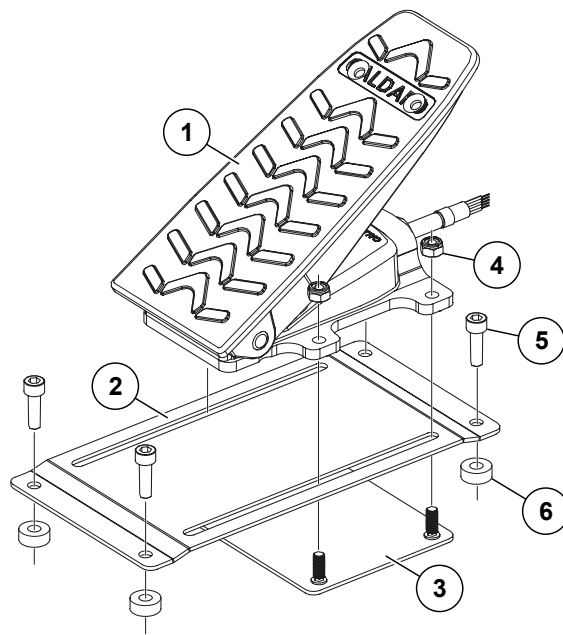


000570

Throttle pedal, moveable with foot switch for direction of travel

Pos	Art.	Qty.	Description	Remarks
				Up to machine T24-004.
1	KT-791062	1 pc	Pedal	Machined (drilled/countersunk)
2	TE-702798	1 pc	Upper part moveable throttle pedal attachment	
3	TE-702797	1 pc	Lower part moveable throttle pedal attachment	
4	K6133	4 pcs	Lock nut	M6M 6 Locking ring
5	K6062-3	4 pcs	Hex screw	MC6S 6x20 8.8 FZB
6	TE-702866	4 pcs	Spacer	T=6 mm
7	T50549	1 pc	Foot switch	Articulation lock
8	TE-703066	1 pc	Mounting bracket	
9	K6078-28	2 pcs	Screw	MK6S 4 x 8 10.9 FZB
10	K6085-0012	2 pcs	Screw	MF6S 6x25 10.9 FZB

Throttle pedal, moveable without foot switch for direction of travel

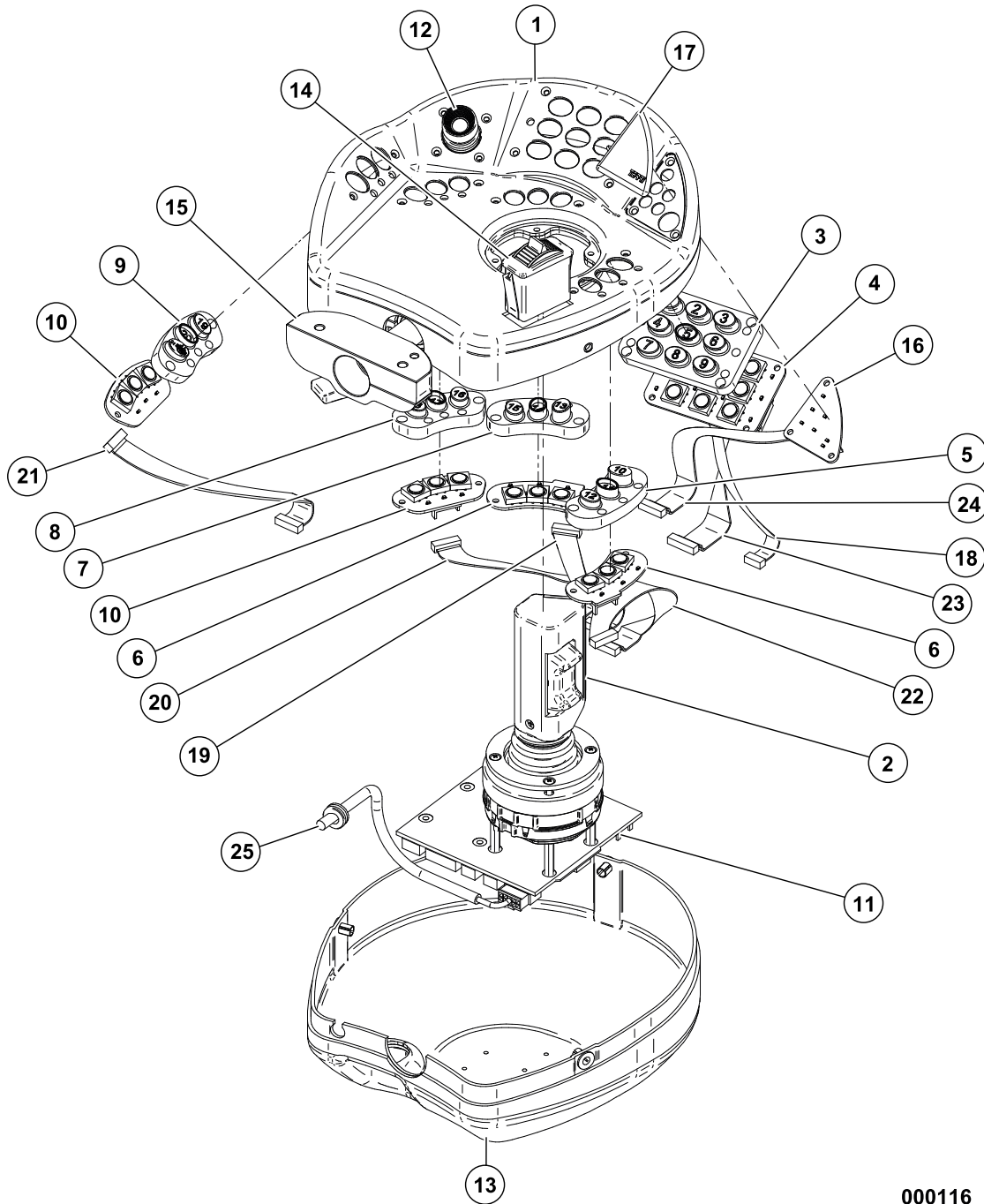


000654

Throttle pedal, moveable without foot switch for direction of travel

Pos	Art.	Qty.	Description	Remarks
				From machine T24-005.
1	KT-791062	1 pc	Pedal	
2	TE-702798	1 pc	Upper part moveable throttle pedal attachment	
3	TE-702797	1 pc	Lower part moveable throttle pedal attachment	
4	K6133	4 pcs	Lock nut	M6M 6 Locking ring
5	K6062-3	4 pcs	Hex screw	MC6S 6x20 8.8 FZB
6	TE-702866	4 pcs	Spacer	T=6 mm

Lever pallet, left

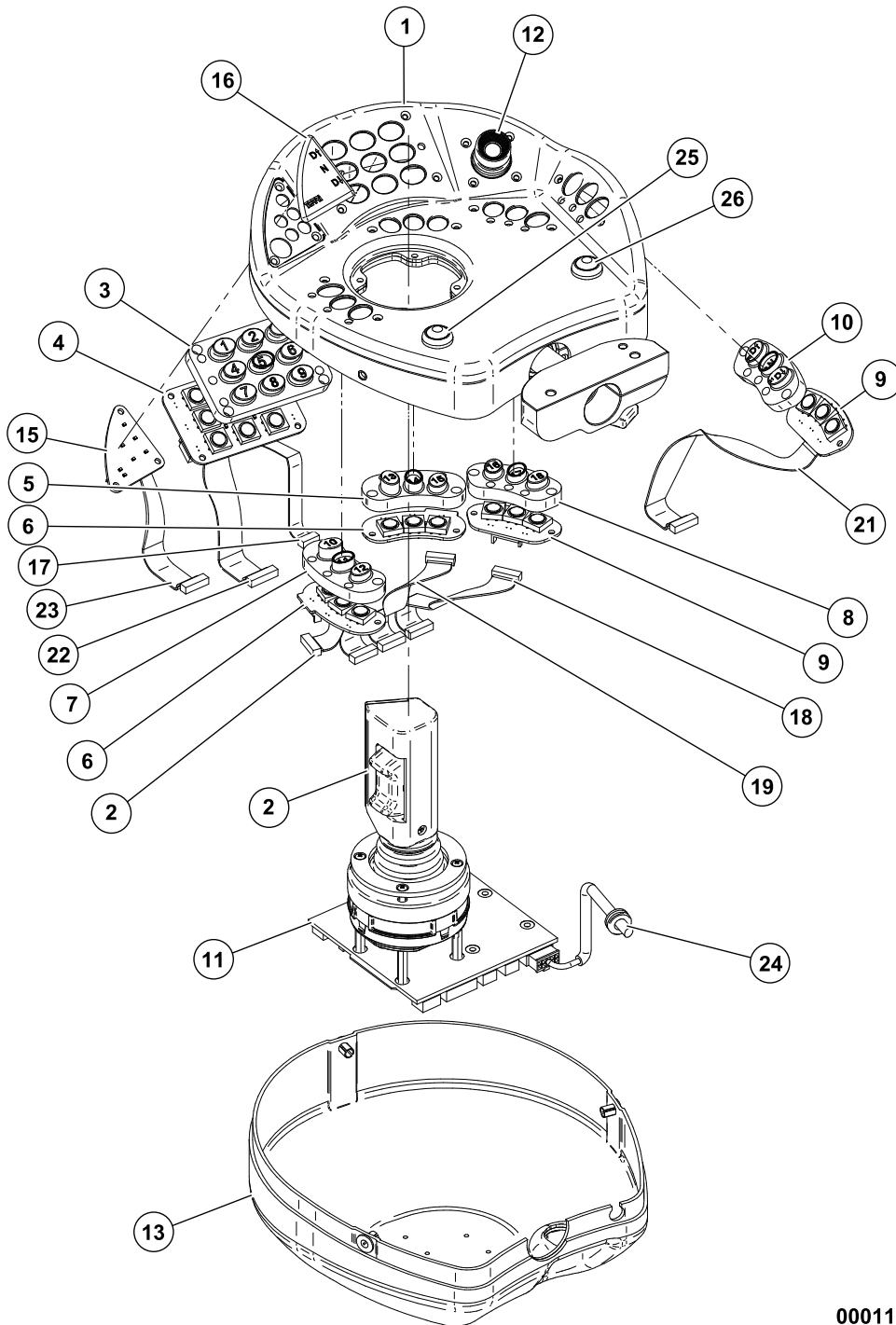


000116

Lever pallet, left

Pos	Art.	Qty.	Description	Remarks
	KT-790944	1 pc	ExciPad 2006 Left	Complete. Up to machine T23-026. Replaced by KT-703182-V
	KT-703182-V	1 pc	Excipad 2006 Left	Complete. From machine T23-027. Replaces KT-790944.
	TE-703710	1 pc	Adapter cable	Required when mounting KT-703182-V on machines up to T23-026
1		1 pc	EP2006 Cover upper cpl left	
2	KT-S3313	1 pc	Mini lever Excidor Right 3A5D JHM Y-int	
-	KT-S3309	1 pc	PCB 5-button mini lever 1.57N	
-	KT-S8495	1 pc	Thumbwheel mini lever JHM	
3	KT-S5692-1	1 pc	EP2006 Silicone Terri Harvest Left	
4	KT-S6883	1 pc	EP2006 PCB cpl 9-button v2	
5		1 pc	EP2006 Silicone 3-button harvester. Left	
6	KT-S6884	2 pcs	EP2006 PCB cpl 3 buttons	
7	KT-S5692-2	1 pc	EP2006 Silicone 3-button harvester. Left	
8	KT-S5692-4	1 pc	EP2006 Silicone 3-button harvester. Left	
9	KT-S5692-5	1 pc	EP2006 Silicone 3-button harvester. Left	
10	KT-S6885	2 pcs	EP2006 PCB cpl 3 buttons	
11		1 pc	EP2006 PCB cpl CanBus std	
12	TE-791087	1 pc	Finger joystick Excidor, complete	Levelling
13		1 pc	EP2006 Cover lower cpl left	
14	KT-S6960	1 pc	Roller Otto HTW Friction cpl	Speed reduction
15		1 pc	Bracket 2LK left cpl with locking lever	
16		1 pc	EP2006 PCB cpl LED left	
17	KT-790944-1	1 pc	EP2006 Sticker Left Terry	
18		1 pc	Flat ribbon cable 6-way cpl L250	
19		1 pc	Flat ribbon cable 10-way cpl L250	
20		1 pc	Flat ribbon cable 10-way cpl L250	
21		1 pc	Flat ribbon cable 10-way cpl L250	
22		1 pc	Flat ribbon cable 10-way cpl L250	
23		1 pc	Flat ribbon cable 12-way cpl L150	
24		1 pc	Flat ribbon cable 10-way cpl L250	
25		1 pc	EP2006 Cable harness left ID11 1300 mm	

Lever pallet, right

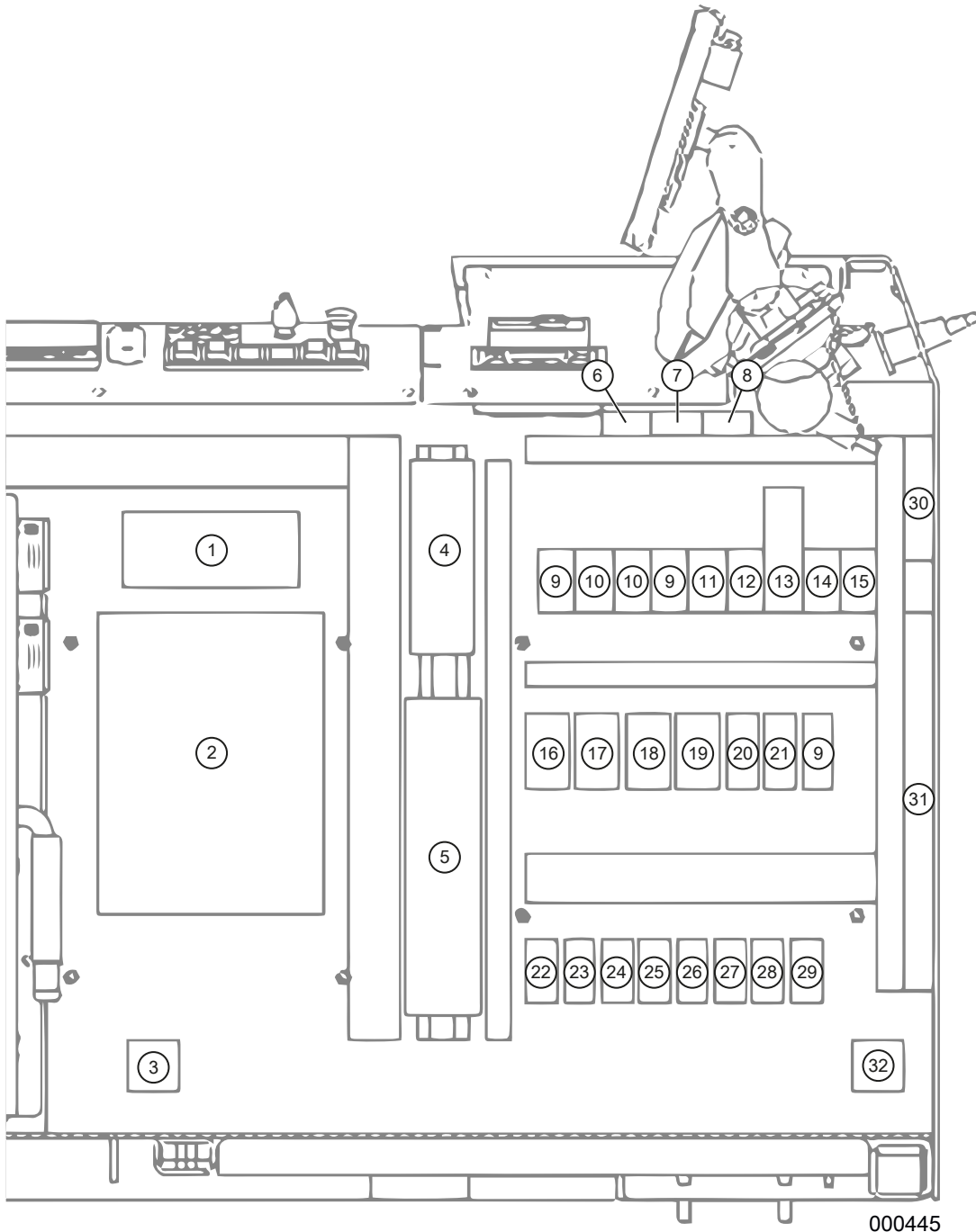


000117

Lever pallet, right

Pos	Art.	Qty.	Description	Remarks
	KT-790945	1 pc	ExciPad 2006 Right	Complete. Up to machine T23-026. Replaced by KT-703182-H
	KT-703182-H	1 pc	ExciPad 2006 Right	Complete. From machine T23-027. Replaces KT-790945.
	TE-703709	1 pc	Adapter cable	Required when mounting KT-703182-H on machines up to T23-026
1		1 pc	EP2006 Cover upper cpl right	
2	KT-S3313	1 pc	Mini lever Excidor Right 3A5D JHM Y-int	
-	KT-S3309	1 pc	PCB 5-button mini lever 1.57N	
-	KT-S8495	1 pc	Thumbwheel mini lever JHM	
3	KT-S5693-1	1 pc	EP2006 Silicone 9-button harvester. Right	
4	KT-S6883	1 pc	EP2006 PCB cpl 9-button v2	
5	KT-S5693-3	1 pc	EP2006 Silicone 3-button harvester. Right	
6	KT-S6884	2 pcs	EP2006 PCB cpl 3 buttons	
7	KT-S5693-2	1 pc	EP2006 Silicone 3-button harvester. Right	
8	KT-S5693-4	1 pc	EP2006 Silicone 3-button harvester. Right	
9	KT-S6885	2 pcs	EP2006 PCB cpl 3 buttons	
10	KT-S5693-5	1 pc	EP2006 Silicone 3-button Right	
11		1 pc	EP2006 PCB cpl CanBus std	
12	TE-791087	1 pc	Finger joystick Excidor, complete	Machine steering
13		1 pc	EP2006 Cover lower cpl right 2LK	
14		1 pc	Bracket 2LK right cpl with locking lever	
15		1 pc	EP2006 PCB cpl LED right	
16	KT-790945-1	1 pc	EP2006 Decal Right Terri	
17		1 pc	Flat ribbon cable 6-way cpl L250	
18		1 pc	Flat ribbon cable 10-way cpl L250	
19		1 pc	Flat ribbon cable 10-way cpl L250	
20		1 pc	Flat ribbon cable 10-way cpl L250	
21		1 pc	Flat ribbon cable 10-way cpl L250	
22		1 pc	Flat ribbon cable 12-way cpl L150	
23		1 pc	Flat ribbon cable 10-way cpl L250	
24		1 pc	EP2006 Harness Right ID21 1200 mm	
25	KT-S3250	1 pc	Pressure switch with cable	Intermittent wiper
26	KT-790955	1 pc	Push button Excidor 2006	Seat brake

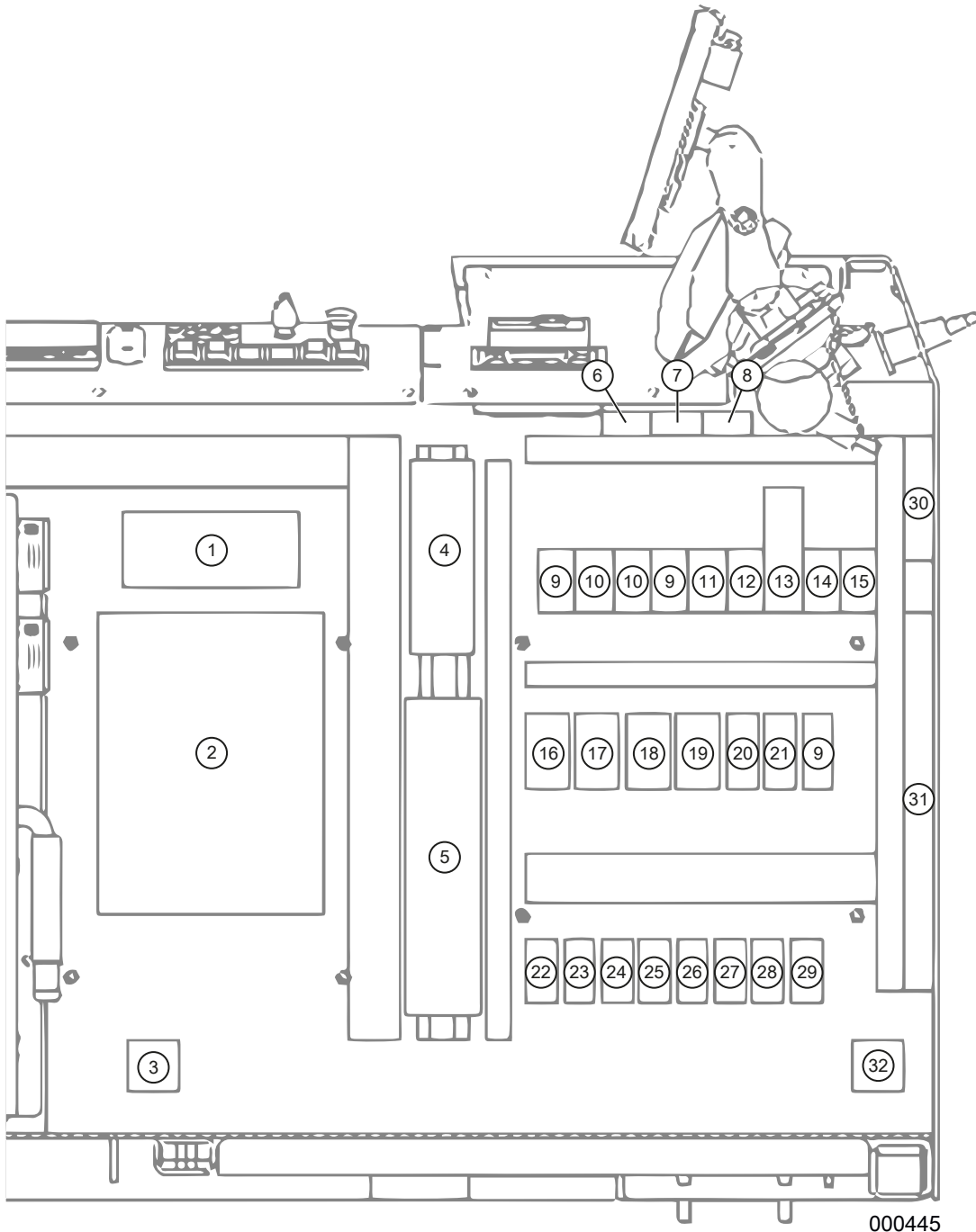
Distribution box



Distribution box

Pos	Art.	Qty.	Description	Remarks
				Up to machine T23-026. Not T23-016.
1	KT-791234	1 pc	Converter	24V-12V
2	KT-791204	1 pc	Controller Plus 1	XL104-0000
3	KT-256201		Flat fuse	5A. Eberspächer
	KT-256401		Flat fuse 10A	Eberspächer
4	KT-1012751		Feed-through terminal, UK 2.5 N	
5	KT-30012572		Connection terminal, 0.2...6 mm ²	
	KT-256301		Flat fuse	7.5A
	T50409		Flat fuse	2A
	T50165		Flat fuse	3A
	T50156		Flat fuse	15 A
	T50041		Flat fuse	20A
6	KT-175550		Terminal block	8-pin female
7	KT-175550		Terminal block	8-pin female
8	KT-175552		Terminal block	6-pin female
9	KT-58132346	3 pcs	Relay with fuse	5A
10	KT-58132346	2 pcs	Relay with fuse	7.5A
11	KT-58132346	1 pc	Relay with fuse	15A
12	KT-240027	1 pc	Switch relay	5-pin 24V 20/30A. Windscreen wiper
13	KT-240025	1 pc	Flasher relay	24V 3 conn 10-110W
14	KT-240027	1 pc	Switch relay	5-pin 24V 20/30A. Fuel pump
15	KT-240027	1 pc	Switch relay	5-pin 24V 20/30A. Eberspächer
16	KT-240027	1 pc	Switch relay	5-pin 24V 20/30A. Ignition, limited
17	KT-240027	1 pc	Switch relay	5-pin 24V 20/30A. Ignition, permanent
18	KT-240027	1 pc	Switch relay	5-pin 24V 20/30A. Ignition
19	KT-240027	1 pc	Switch relay	5-pin 24V 20/30A. ECU
20	KT-240027	1 pc	Switch relay	5-pin 24V 20/30A. Start
21	KT-58132346	1 pc	Relay with fuse	20A
22	KT-5201498060	1 pc	Fuse	MIDI 60A. Fuse 50-55
23	KT-5201498060	1 pc	Fuse	MIDI 60A. Ignition, limited
24	KT-5201498040	1 pc	Fuse	MIDI 40A. Ignition, permanent
25	KT-5201498030	1 pc	Fuse	MIDI 30A. Ignition
26	KT-5201498040	1 pc	Fuse	MIDI 40A. ECU
27	KT-5201498030	1 pc	Fuse	MIDI 30A. Start
28		1 pc	Fuse	F9xA. For extra fuse
29	KT-5201498040	1 pc	Fuse	MIDI 40A. ECC , fuses F11-13 and F31

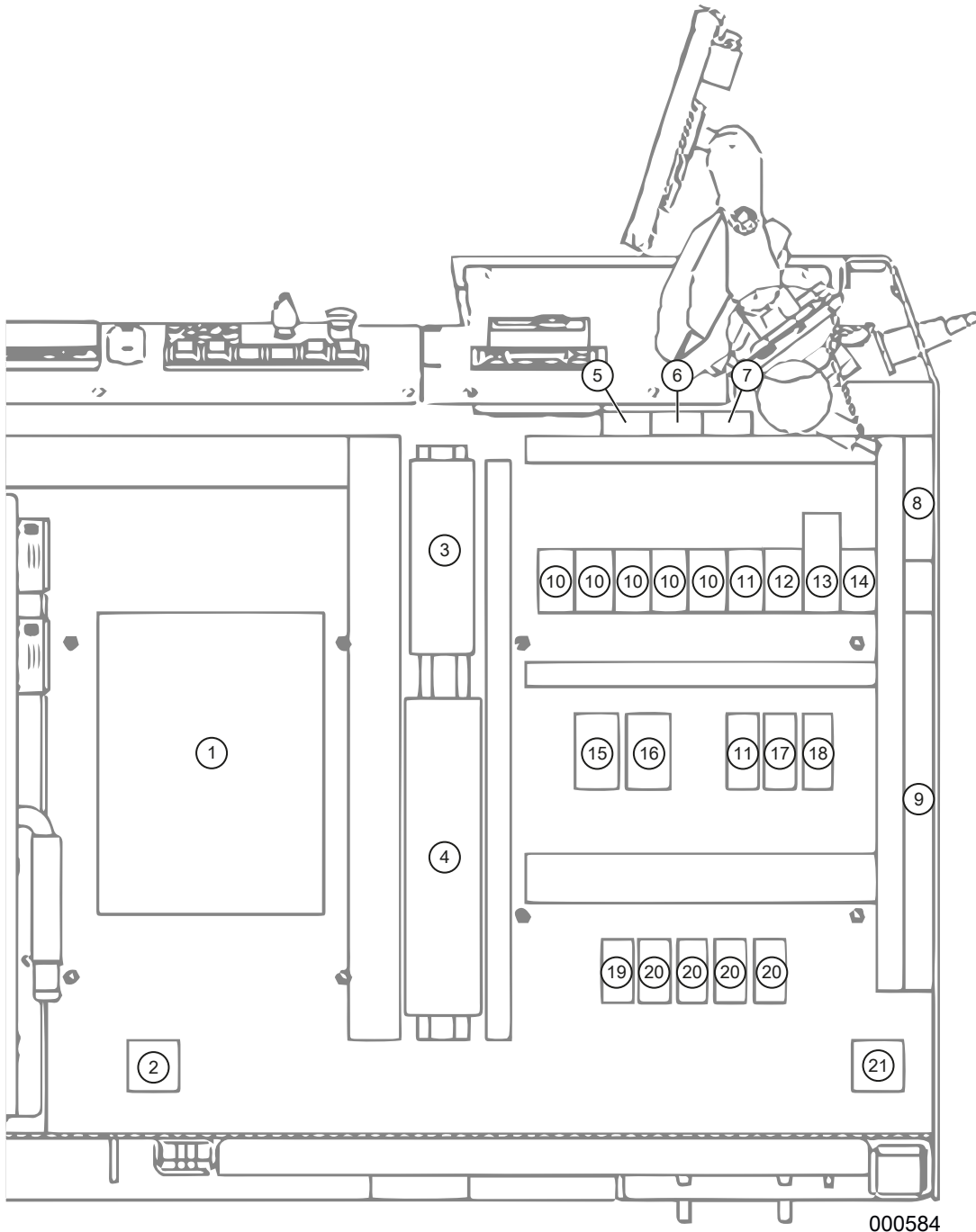
Distribution box



Distribution box

Pos	Art.	Qty.	Description	Remarks
30			Eberspächer GSM or WEBB	Option
31			LOGMAX computer	
32			Connector seat	

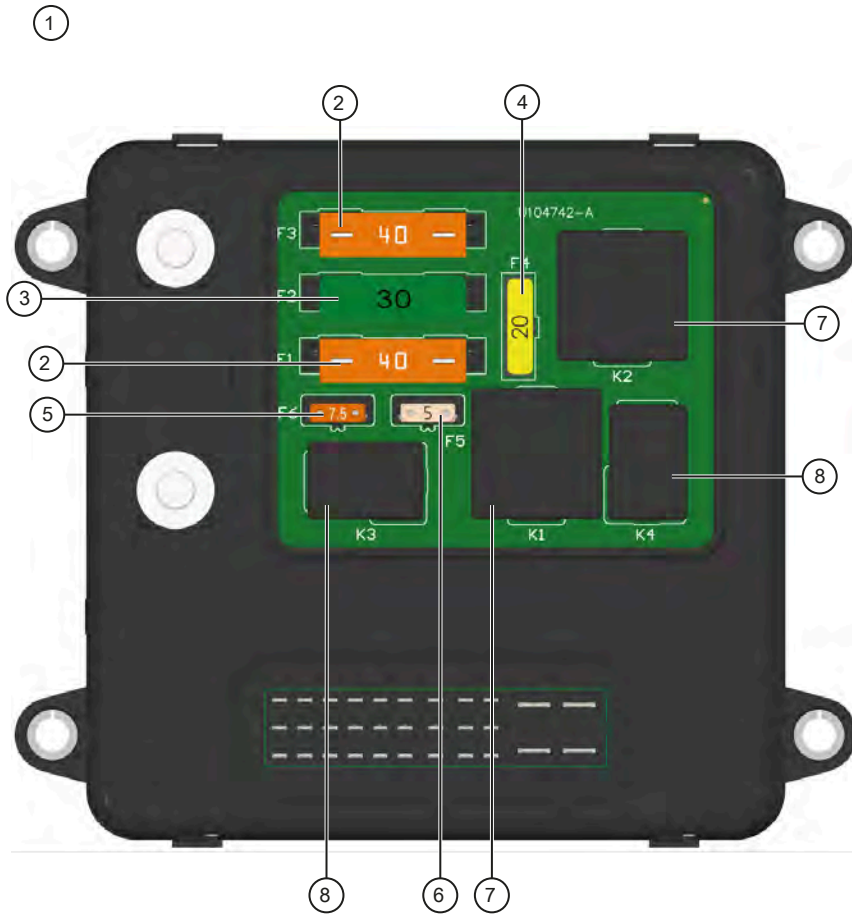
Distribution box



Distribution box

Pos	Art.	Qty.	Description	Remarks
				From machine T23-027. Also T23-016.
1	KT-791204	1 pc	Controller Plus 1	XL104-0000
2	KT-256201	1 pc	Flat fuse	5A. Eberspächer
	KT-256401	1 pc	Flat fuse	10A. Eberspächer
3	KT-1012751		Feed-through terminal, UK 2.5 N	
4	KT-30012572		Connection terminal	0.2...6 mm ²
	T50409	1 pc	Flat fuse	2A
	T50165	3 pcs	Flat fuse	3A
	KT-256201	9 pcs	Flat fuse	5A
	KT-256301	4 pcs	Flat fuse	7.5A
	KT-256401	4 pcs	Flat fuse	10A
	T50156	2 pcs	Flat fuse	15A
	T50041	1 pc	Flat fuse	20A
	KT-256701	1 pc	Flat fuse	25A
5	KT-175550	1 pc	Terminal block	8-pin female
6	KT-175550	1 pc	Terminal block	8-pin female
7	KT-175552	1 pc	Terminal block	6-pin female
8			Eberspächer GSM or WEBB	Option
9			LOGMAX computer	
10	KT-240029	5 pcs	Relay with fuse	24V 7.5A
11	KT-240029	2 pcs	Relay with fuse	24V 20A
12	KT-240028	1 pc	Mini relay	24V 20/30A. Windscreen wiper
13	KT-240025	1 pc	Flasher relay	24V 10-110W
14	KT-240031	1 pc	Switch relay	24V 20A with diode. Eberspächer
15	KT-240026	1 pc	HD relay	24V 70A with diode. Ignition, limited
16	KT-240026	1 pc	Switch relay	24V 70A with diode. Ignition, permanent
17	KT-240029	1 pc	Relay with fuse	5A
18	KT-240031	1 pc	Switch relay	24V 20A with diode. Main circuit breaker
19	KT-5201498060	1 pc	Fuse	MIDI 60A. Fuse 50-56.
20	KT-5201498040	4 pcs	Fuse	MIDI 40A
21			Connector seat	

Engine control box

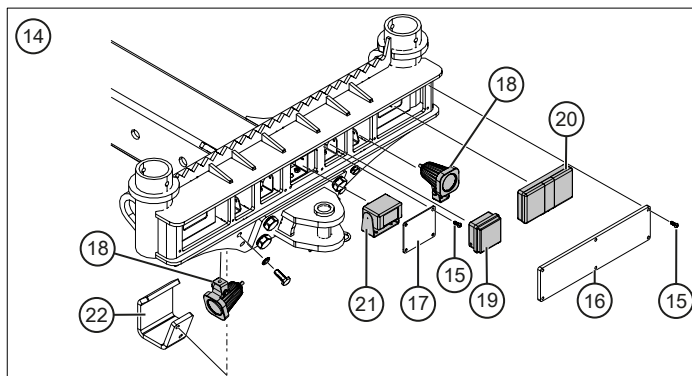
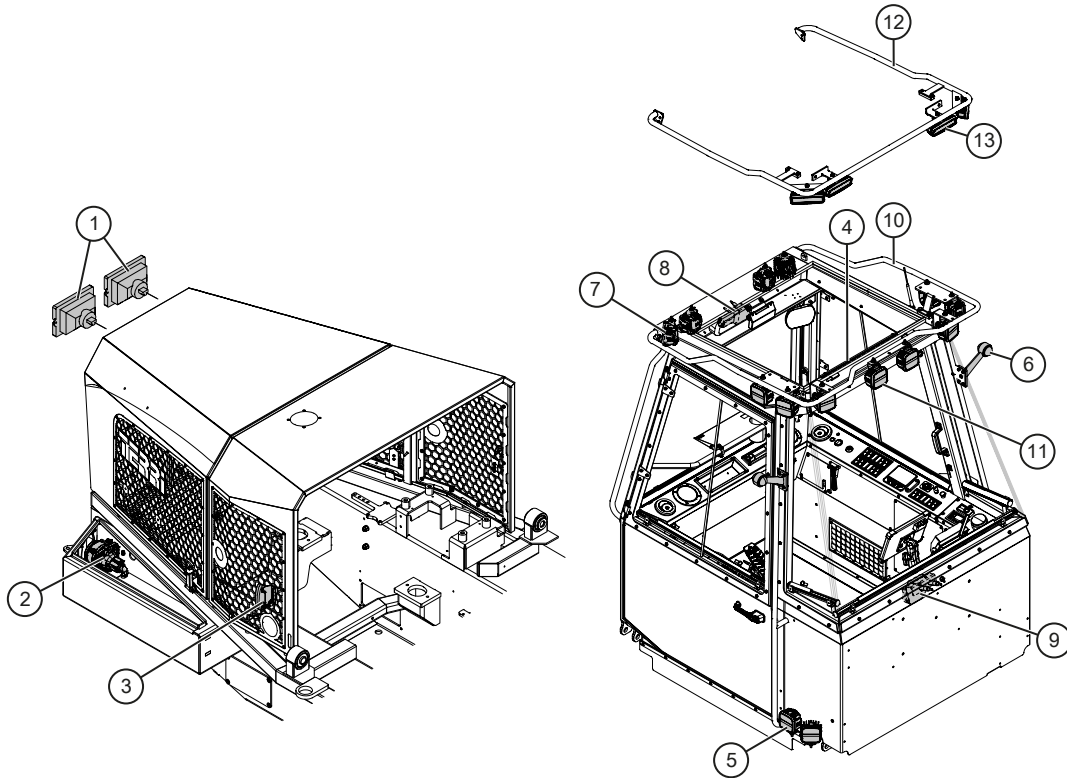


000585

Engine control box

Pos	Art.	Qty.	Description	Remarks
1	KT-703180	1 pc	Engine control box	Complete. From machine T23-027. Also T23-016.
2	KT-5201299040	2 pcs	Flat fuse	Maxi 40A
3	KT-5201299030	1 pc	Flat fuse	Maxi 30A
4	T50041	1 pc	Flat fuse	Standard 20A
5	KT-5201297005	1 pc	Flat fuse	Mini 5A
6	KT-5201297075	1 pc	Flat fuse	Mini 7.5A
7	KT-791521	2 pcs	Relay	Mini 24V
8	KT-791522	2 pcs	Relay	Micro 24V

Lighting and wiper motors



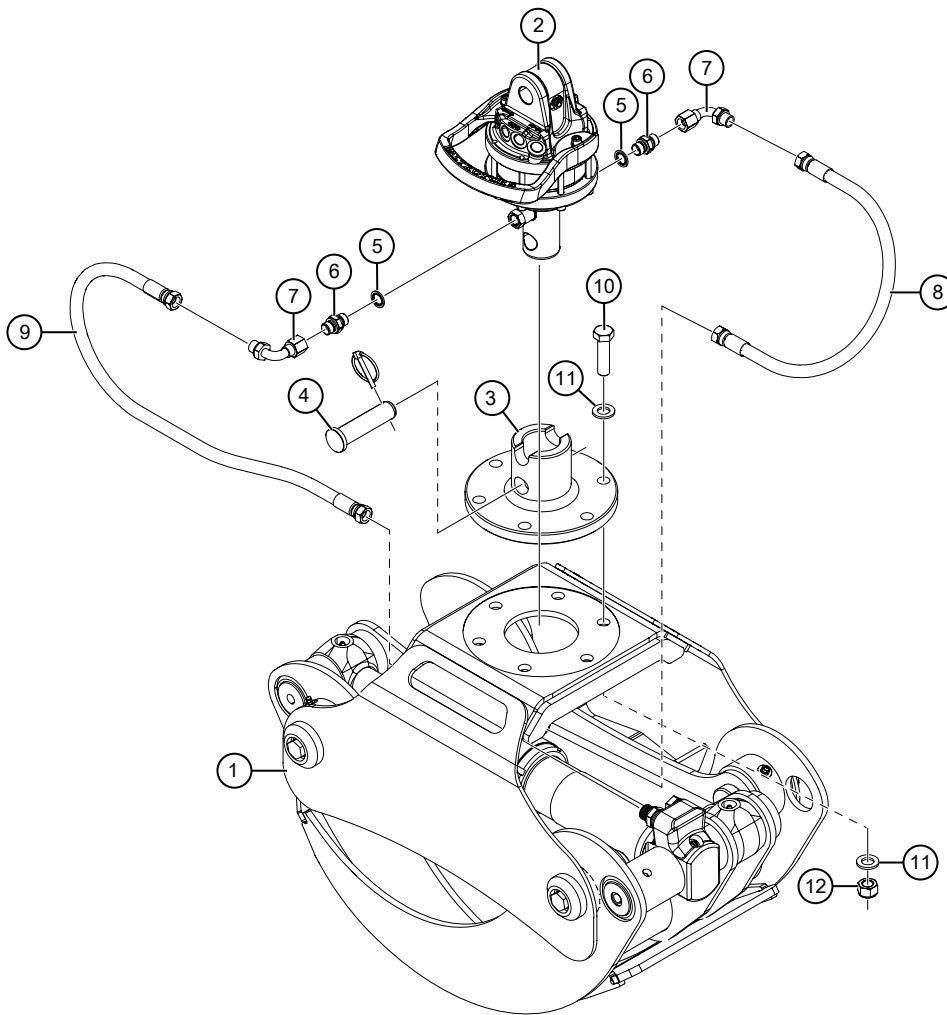
000613

Lighting and wiper motors

Pos	Art.	Qty.	Description	Remarks
1	T50535	2 pcs	Headlight	
-	KT-240010	2 pcs	Light bulb	H4 24 V
2	KT-791118	2 pcs	High/low beam headlight	12/24V
-	KT-240011	2 pcs	Light bulb	H7 24 V
3	KT-791103	2 pcs	Positioning light	LED, white with reflector
4	KT-240030	1 pc	Internal light	LED strip, Cab
5	KT-791045		Work light	LED. GO 420, standing
6	KT-790052	2 pcs	Turn signal arm	Incl. light bulb
-	KT-790749		Turn signal glass	Orange
-	KT-240015		Light bulb	24V/4W, BA 9s
7	KT-791045-1		Work light	LED. GO 420, hanging
8	KT-240001	1 pc	Wiper motor	24V. Windscreen
9	KT-240000	1 pc	Wiper motor	24V. Rear window
10	TE-702517		Roof rack	High
11	KT-791045-1		Work light	LED. GO 420, hanging. For high roof rack.
	TE-701235		Spacer	T=8 mm
12	TE-702520		Roof rack	Low
13	KT-791237		Work light	LED. HBA 30W. For low roof rack.
14	TE-720178		Rear bunk incl. lighting	Complete
15	KT-785018	20 pcs	Screw	M6S 6x16 8.8 FZB. Extra equipment, not on harvester
16	KT-702417	2 pcs	Polycarbonate sheet	346x90 mm. Extra equipment, not on harvester
17	KT-702418	1 pc	Polycarbonate sheet	98x82 mm. Extra equipment, not on harvester
18	KT-791117	4 pcs	Work lights	LED. Extra equipment, not on harvester
19	KT-239802	2 pcs	Strobe warning light	LED. Extra equipment, not on harvester
	TE-701920	2 pcs	Bracket strobe warning light	Extra equipment, not on harvester
20	KT-791121	2 pcs	Tail light	LED. Extra equipment, not on harvester
21	KT-791116	1 pc	Camera assembly	7" HD. Extra equipment, not on harvester
-	KT-791116-1	1 pc	Monitor	7" HD. Extra equipment, not on harvester
-	KT-791116-2	1 pc	Camera/Reversing camera	HD. Extra equipment, not on harvester
-	KT-791116-3	1 pc	Cable rear view camera	L=3000 mm. Extra equipment, not on harvester
-	KT-791116-4	1 pc	Cable rear view camera	L=5000 mm. Extra equipment, not on harvester
-	KT-791116-5	1 pc	Cable rear view camera	L=10000 mm. Extra equipment, not on harvester
22	TE-702412	1 pc	Guard work lights	Right. Extra equipment, not on harvester
	TE-702413	1 pc	Guard work lights	Left. Extra equipment, not on harvester

10 GRAPPLE

Grapple with 50 mm adapter

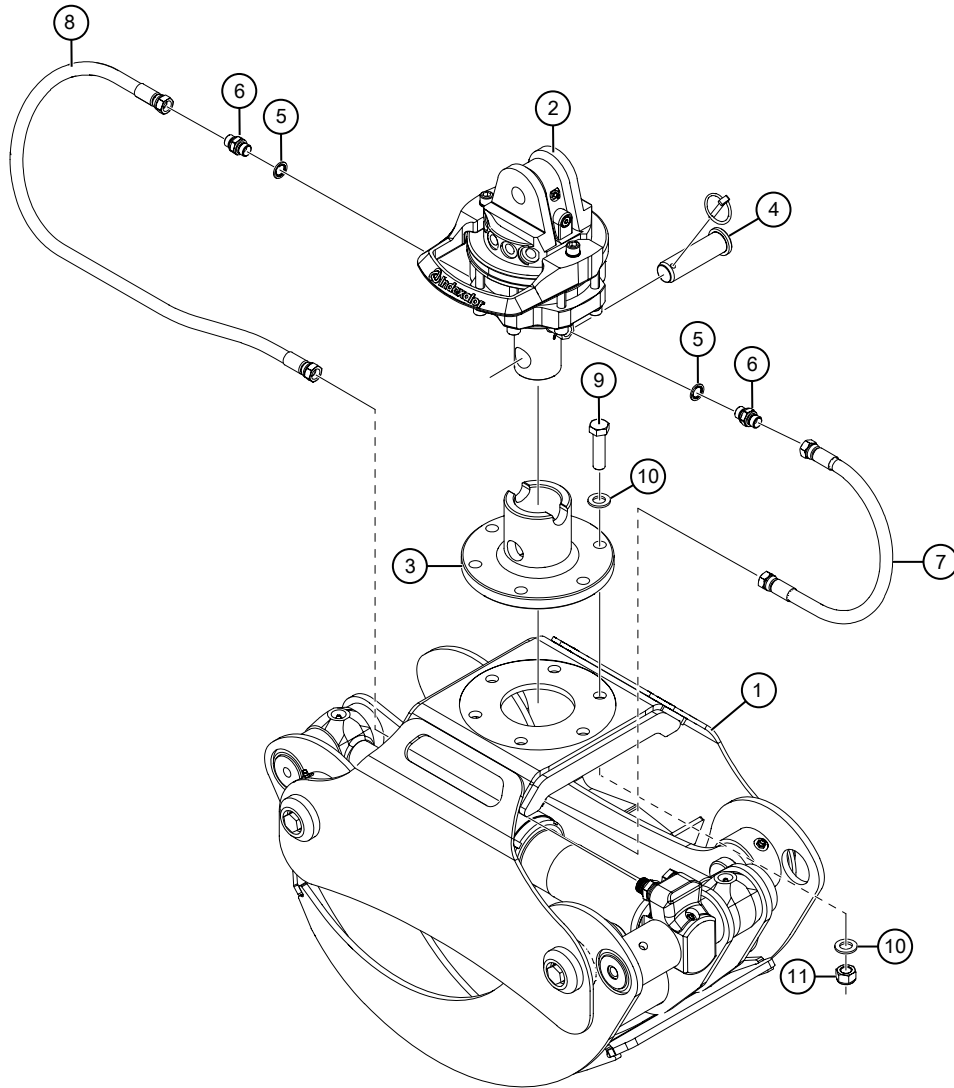


000650

Grapple with 50 mm adapter

Pos	Art.	Qty.	Description	Remarks
1	KT-790028	1 pc	Timber grapple	HSP 0.15
	KT-790029	1 pc	Bio mass grapple	HSP 0.15
	KT-791079	1 pc	Bio mass grapple	HSP 0.20 Bio
	KT-790032	1 pc	Bucket	HSP 0.15
2	KT-790515	1 pc	Rotator	GR-30
3	KT-790672	1 pc	Rotator adapter	49.5/25
4	KT-790672-1	1 pc	Axle	D=25 mm. Incl. pin
5	KT-56010106	2 pcs	Rubber steel washer	3/8"
6	KT-70020606	2 pcs	Adapter	3/8"UF-3/8"UF
7	KT-72050606	2 pcs	Angle adapter	3/8"UF-3/8"IR 90°
8	TS-121045	1 pc	Hydraulic hose	3/8" L=450 mm Straight-Straight
9	TS-121080	1 pc	Hydraulic hose	3/8" L=800 mm Straight-Straight
10	K6077-206	6 pcs	Screw	M6S 16x65 10.9 FZB
11	K6152-051	12 pcs	Flat washer	BRB M16 FZB
12	09-266966	6 pcs	Lock nut	LM6M M16 10 FZB

Grapple with 63 mm adapter

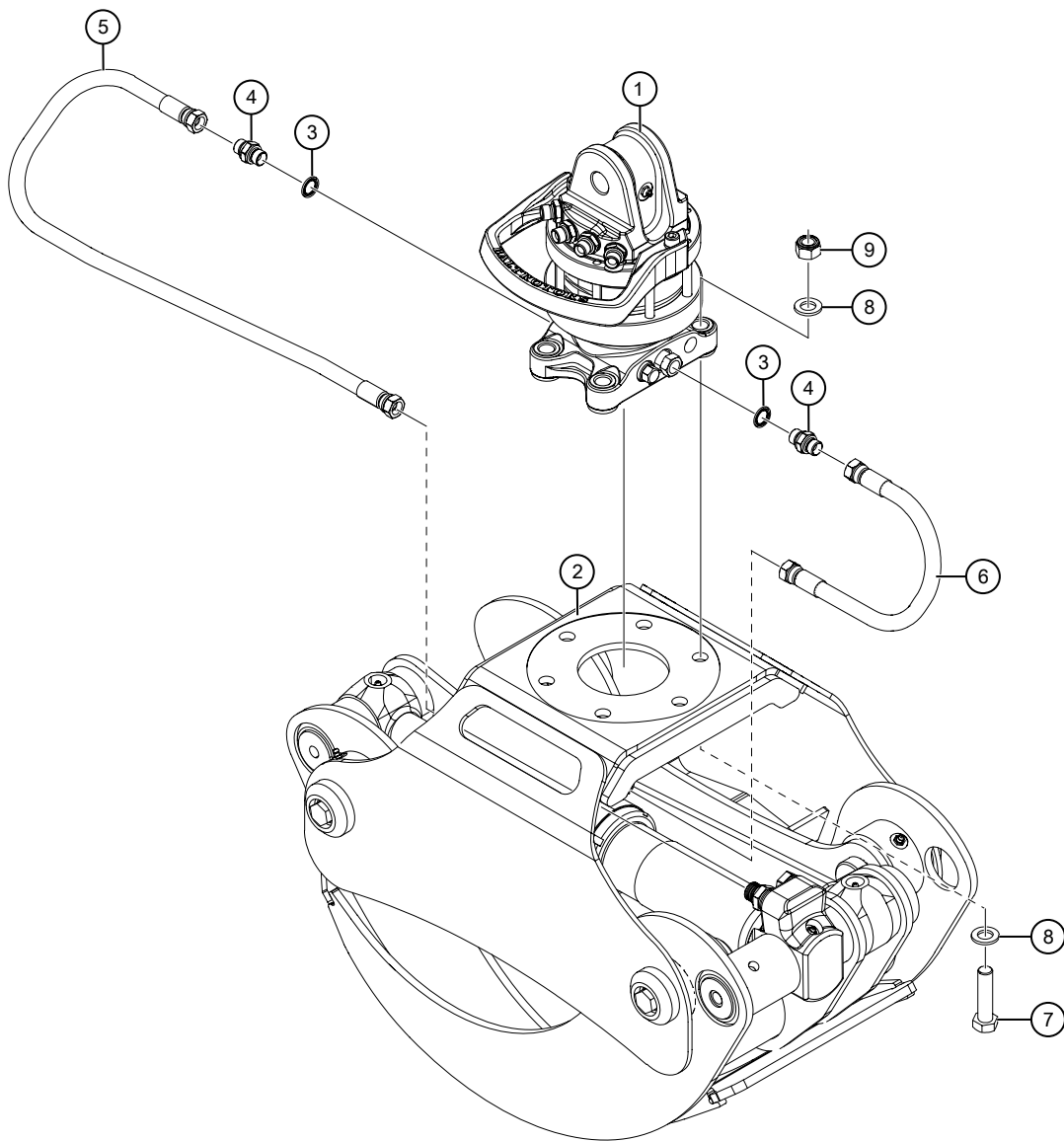


000651

Grapple with 63 mm adapter

Pos	Art.	Qty.	Description	Remarks
1	KT-790028	1 pc	Timber grapple	HSP 0.15
	KT-790029	1 pc	Bio mass grapple	HSP 0.15
	KT-791079	1 pc	Bio mass grapple	HSP 0.20 Bio
	KT-790032	1 pc	Bucket	HSP 0.15
2	KT-791330	1 pc	Rotator	GV4-63/30
3	KT-790884	1 pc	Rotator adapter	63/30
4	KT-790884-1	1 pc	Axle	D=30 mm. Incl. pin
5	KT-56010106	2 pcs	Rubber steel washer	3/8"
6	KT-70020606	2 pcs	Adapter	3/8"UF-3/8"UF
7	TS-121045	1 pc	Hydraulic hose	3/8" L=450 mm Straight-Straight
8	TS-121080	1 pc	Hydraulic hose	3/8" L=800 mm Straight-Straight
9	K6077-206	6 pcs	Screw	M6S 16x65 10.9 FZB
10	K6152-051	12 pcs	Flat washer	BRB M16 FZB
11	09-266966	6 pcs	Lock nut	LM6M M16 10 FZB

Grapple with bolted rotator

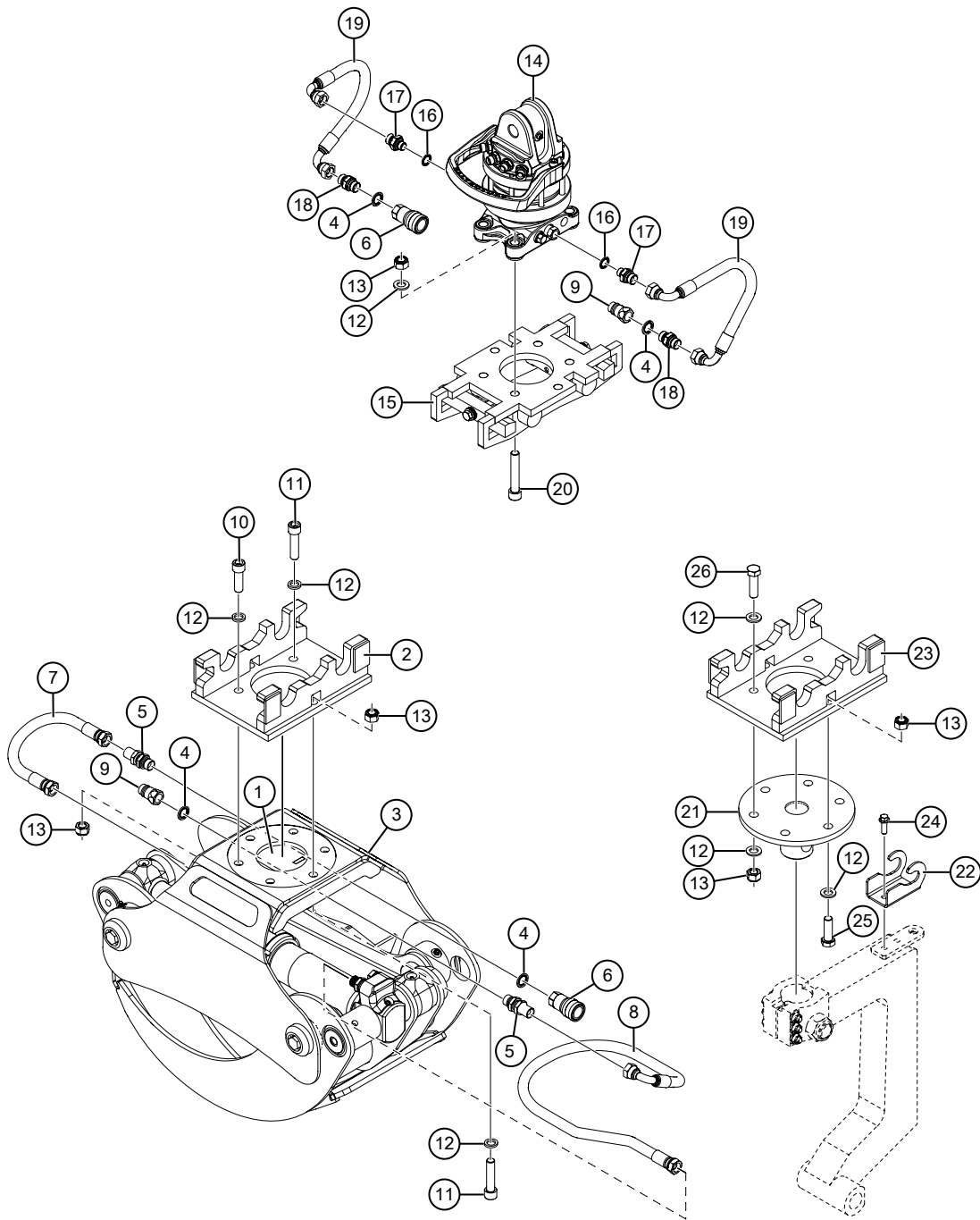


000652

Grapple with bolted rotator

Pos	Art.	Qty.	Description	Remarks
1	KT-791159	1 pc	Rotator with flange-type lower connection	GR463
2	KT-790028	1 pc	Timber grapple	HSP 0.15
	KT-790029	1 pc	Bio mass grapple	HSP 0.15
	KT-791079	1 pc	Bio mass grapple	HSP 0.20 Bio
	KT-790032	1 pc	Bucket	HSP 0.15
3	KT-56010106	2 pcs	Rubber steel washer	3/8"
4	KT-70020606	2 pcs	Adapter	3/8"UF-3/8"UF
5	TS-121080	1 pc	Hydraulic hose	3/8" L=800 mm Straight-Straight
6	TS-121045	1 pc	Hydraulic hose	3/8" L=450 mm Straight-Straight
7	K6077-206	4 pcs	Screw	M6S 16x65 10.9 FZB
8	K6152-051	8 pcs	Flat washer	BRB M16 FZB
9	09-266966	4 pcs	Lock nut	LM6M M16 10 FZB

Quick-release connector



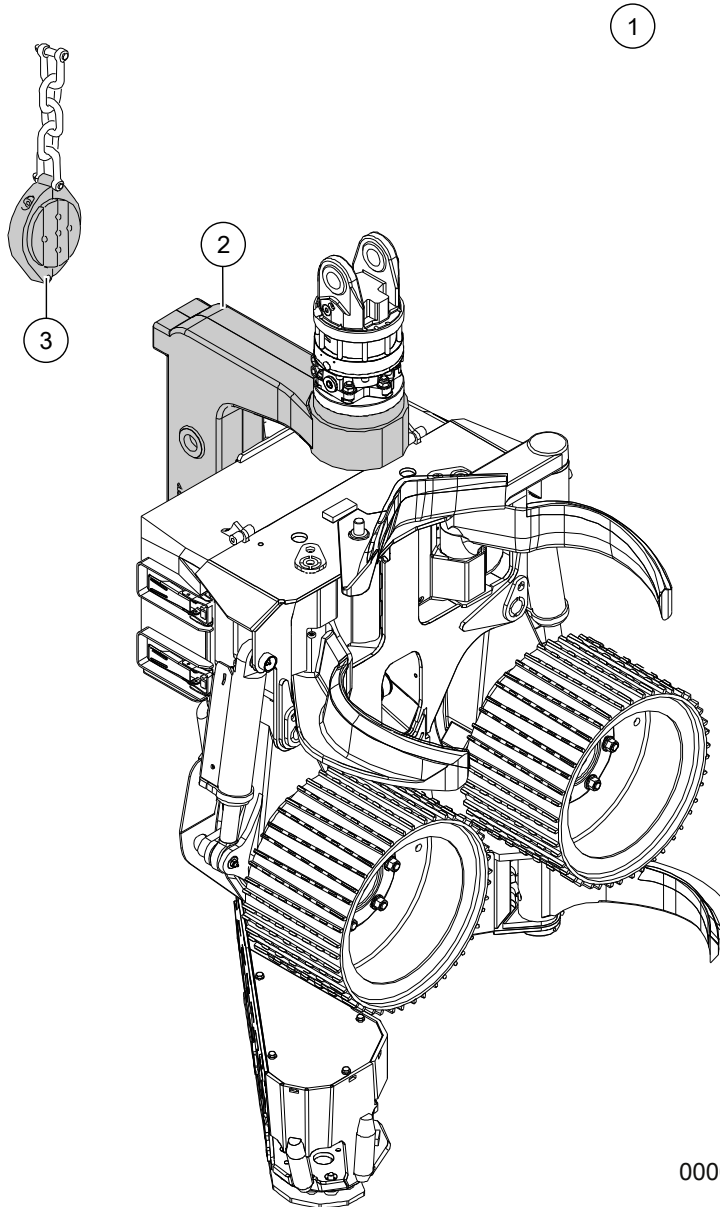
000653

Quick-release connector

Pos	Art.	Qty.	Description	Remarks
1	TE-702825	1 pc	Bracket for hose couplings	
2	KT-791228	1 pc	Quick-release connector	Lower section
3	KT-790028	1 pc	Timber grapple	HSP 0.15
	KT-790029	1 pc	Bio mass grapple	HSP 0.15
	KT-791079	1 pc	Bio mass grapple	HSP 0.20 Bio
	KT-790032	1 pc	Bucket	HSP 0.15
4	KT-56010108	4 pcs	Rubber steel washer	1/2"
5	KT-70900808	2 pcs	Bulkhead connector	1/2"UF-1/2"UF
6	KT-55500308	2 pcs	Quick-release coupling	1/2" female
7	TS-131040	1 pc	Hydraulic hose	1/2" L=400 mm Straight-Straight
8	TS-132100	1 pc	Hydraulic hose	1/2" L=1000 mm Straight-90°
9	KT-55500208	2 pcs	Quick-release coupling	1/2" Male
10	KT-268060	2 pcs	Hex screw	MC6S 16x50 10.9 FZB
11	KT-268061	4 pcs	Hex screw	MC6S 16x70 10.9 FZB
12	K6152-051	24 pcs	Flat washer	BRB M16 10 FZB
13	09-266966	16 pcs	Lock nut	LM6M M16 10 FZB
14	KT-791159	1 pc	Rotator with flange-type lower connection	GR463
15	KT-791158-1	1 pc	Quick-release connector	Upper section
16	KT-56010106	2 pcs	Rubber steel washer	3/8"
17	KT-70020608	2 pcs	Adapter	3/8"UF-1/2"UF
18	KT-70020808	2 pcs	Adapter	1/2"UF-1/2"UF
19	TS-137025	2 pcs	Hydraulic hose	1/2" L=250 mm 90°-90°
20	KT-268059	4 pcs	Hex screw	MC6S 16x90 10.9 FZB
21	TE-702828	1 pc	Quick-mount	Middle section
22	TE-702893	1 pc	Mount, quick-release connectors	1/2" harvester head
23	KT-791158-2	1 pc	Quick-release connector	Lower section
24	09-267716	2 pcs	Flange screw	M6SF 10x30 8.8 FZB
25	KT-268062	2 pcs	Screw	M6S 16x50 10.9 FZB
26	KT100180	4 pcs	Screw	M6SH 16x55 10.9 FZB

11 HARVESTER HEAD

Log Max 928, felling link

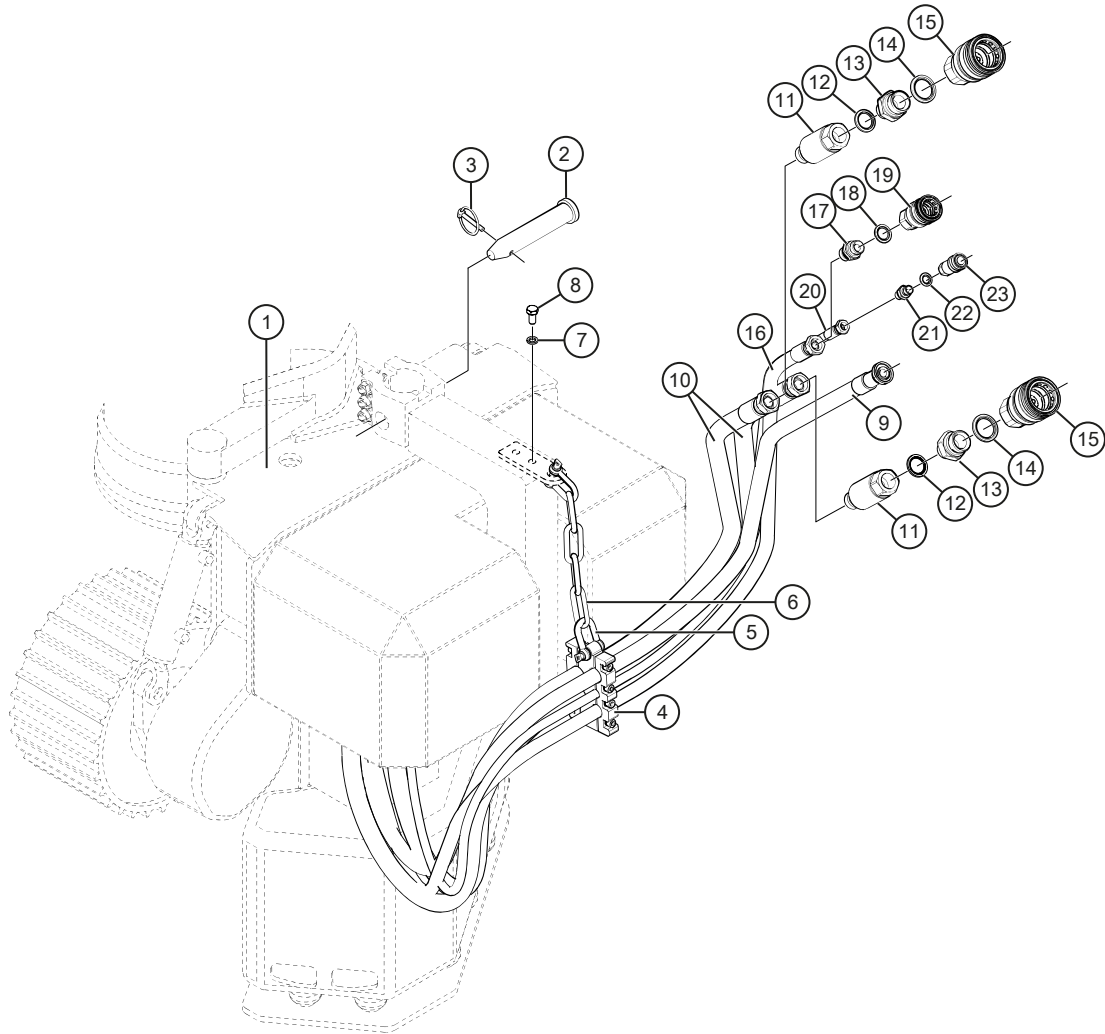


000047

Log Max 928, felling link

Pos	Art.	Qty.	Description	Remarks
				The parts below have been modified by Terri. For other spare parts, see the sub-supplier documentation for the unit.
1	KT-785000-1	1 pc	Log Max 928 unit/Logmate 510	
	TE-701279	1 pc	Cotter harvester head	
2	TE-701284	1 pc	Tilt bridge	Machined
3	TE-785124	1 pc	Hose bracket	Machined

Log Max 2000T, felling link



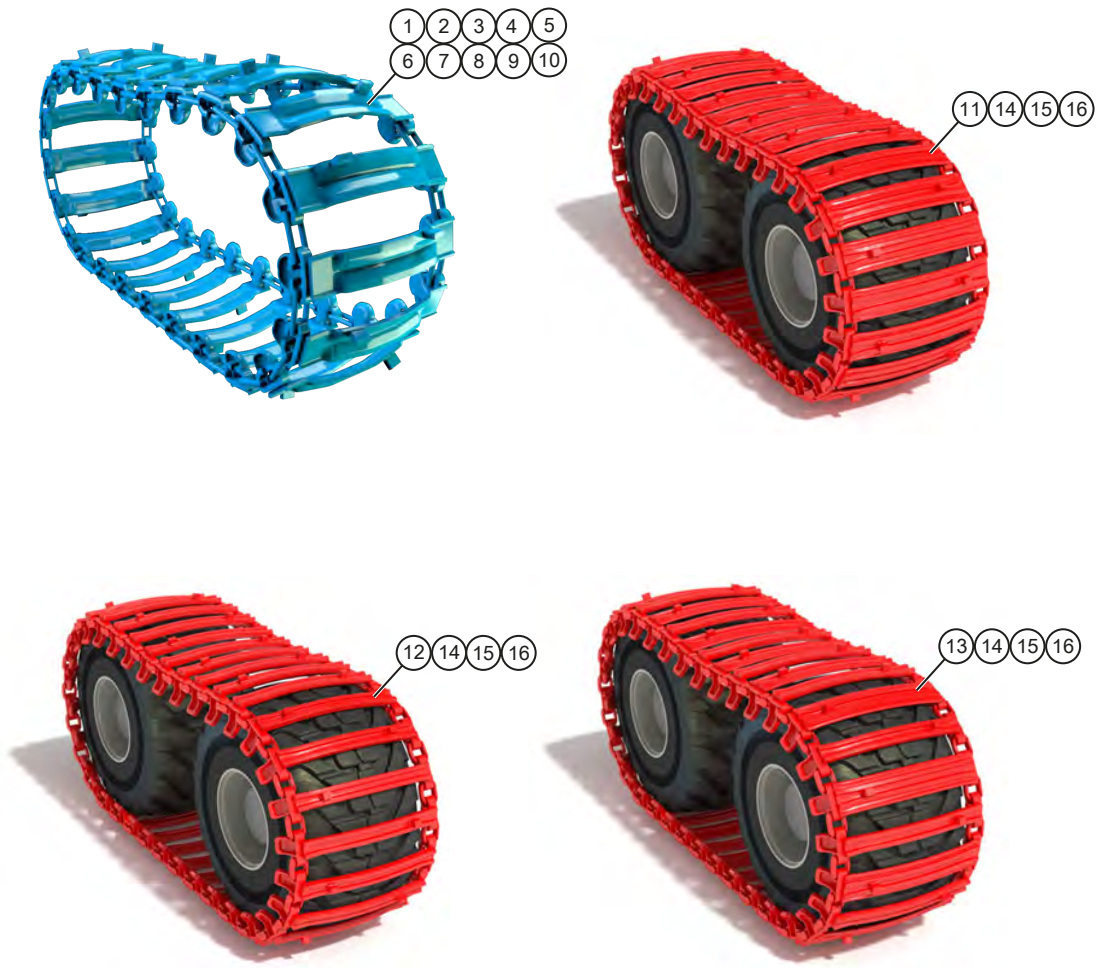
000569

Log Max 2000T, felling link

Pos	Art.	Qty.	Description	Remarks
				The parts below have been modified by Terri. For other spare parts, see the sub-supplier documentation for the unit.
1	KT-785000-2	1 pc	Log Max 2000T unit/Logmate 510	
2	TE-701279	1 pc	Cotter harvester head	
3	KT-123120	1 pc	Linch pin	TRSP 6x42
4	TE-703057	1 pc	Hose bracket 2000T HW/CW	
-	TE-703052	1 pc	Lower section	
-	TE-703054	1 pc	Middle section	
-	TE-703056	1 pc	Upper section	
-	K6065-45	6 pcs	Hex screw	MC6S 8X30 FZB
-	K6163-004	6 pcs	Nordlock washer	NL M8
5	K6626-72	2 pcs	Shackle	
6	K6626-73	LM	Chain	0.2 m
7	K6065-45	2 pcs	Screw	M6S 10x20 8.8 FZB
8	K6163-003	2 pcs	Nordlock washer	NL M10
9	TS-148273	1 pc	Hydraulic hose	5/8" L=2730 spec. Electricity
	KT-268013	1 pc	Blind plug	Deutsch. For male connector
	KT-268014	1 pc	Blind plug	Deutsch. For female connector
10	TS-151250	2 pcs	Hydraulic hose	3/4" L=2500 Straight-Straight
11	KT-791032	2 pcs	Swivel	3/4" I-U
12	KT-56010112	2 pcs	Rubber steel washer	3/4"
13	KT-70021216	2 pcs	Adapter	3/4"UF-1"UF
14	KT-56010116	2 pcs	Rubber steel washer	1"
15	KT-55522316	2 pcs	Quick-release coupling	1", female
	KT-55520516	2 pcs	Dust guard	1", female
16	TS-133264	1 pc	Hydraulic hose	1/2" L=2640 Straight-45°. Wastewater tank
17	KT-70020808	1 pc	Adapter	1/2"UF-1/2"UF
18	KT-56010108	1 pc	Rubber steel washer	1/2"
19	KT-55520308	1 pc	Hose coupling	1/2", female
	KT-55520508	1 pc	Dust guard	1/2", female
20	TS-113271	1 pc	Hydraulic hose	1/4" L=2705 Straight-45°. Urea
21	KT-70020404	1 pc	Adapt	1/4"UF-1/4"UF
22	KT-56010104	1 pc	Rubber steel washer	1/4"
23	KT-55500304	1 pc	Quick-release coupling	1/4", female
	KT-55510504	1 pc	Dust guard	1/4", female

12 OTHER OR ADDITIONAL EQUIPMENT

Drive belt and chains

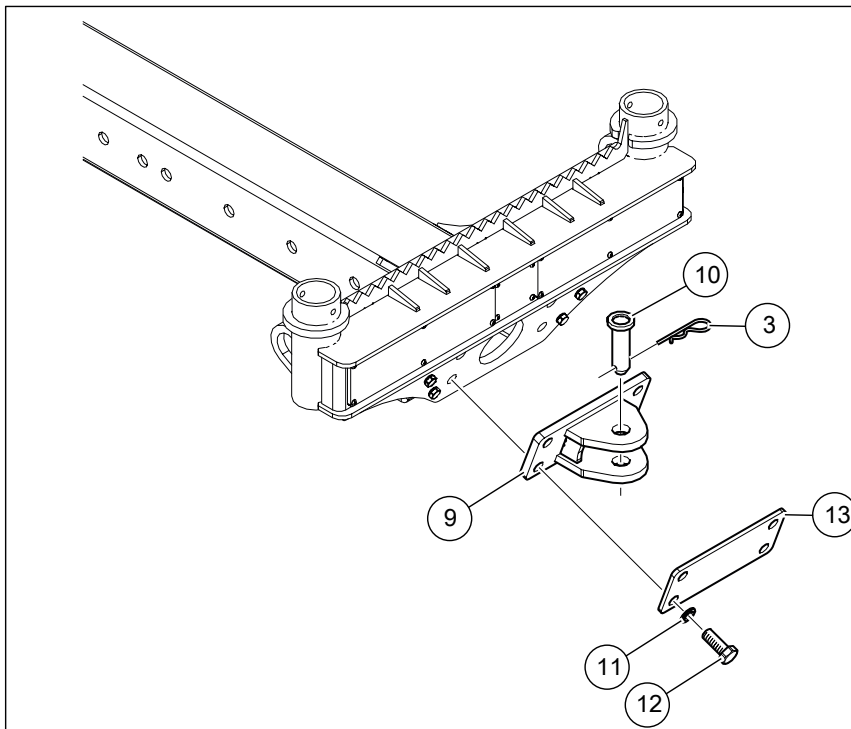
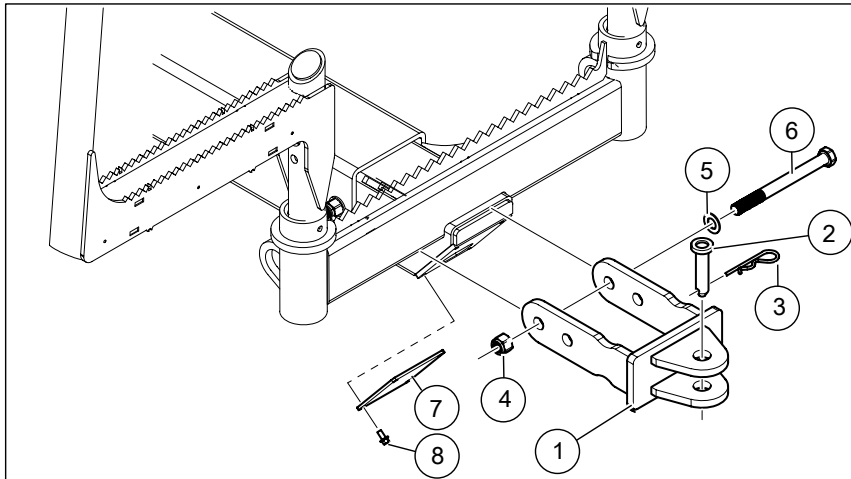


000593

Drive belt and chains

Pos	Art.	Qty.	Description	Remarks
1	KT-790979		Bogie track PRO-Lite	Olofsfors. Without studs
2	KT-790979-10		Bogie track PRO-Lite	Olofsfors. Double-studded
3	KT-790979-20		Bogie track PRO-Lite	Olofsfors. Standard studs
4	KT-790979-30		Bogie track PRO-Lite	Olofsfors. Road studs
5	KT-790979-5		Track lock	Olofsfors. \varnothing 15 part.75/25 mm
6	KT-790979-1		Track lock	Olofsfors. \varnothing 15 part.90/25 mm
7	KT-790979-6		Track lock	Olofsfors. \varnothing 15 part.100/25 mm
8	KT-790979-2		Track lock	Olofsfors. \varnothing 15 part.125/25 mm
9	KT-790979-3		Studs	Olofsfors. 30x15x40 mm
10	KT-790979-3		Track tensioner	Olofsfors
11	KT-791445		Bogie track TXL	Clark
12	KT-791497		Bogie track TL 85	Clark
13	KT-791499		Bogie track TXCL	Clark
14	KT-791447		Track tensioner	Clark
15	KT-791474		Track lock	Clark - Short (24x95 mm)
16	KT-791475		Track lock	Clark - Long (24x160 mm)

Towing hook

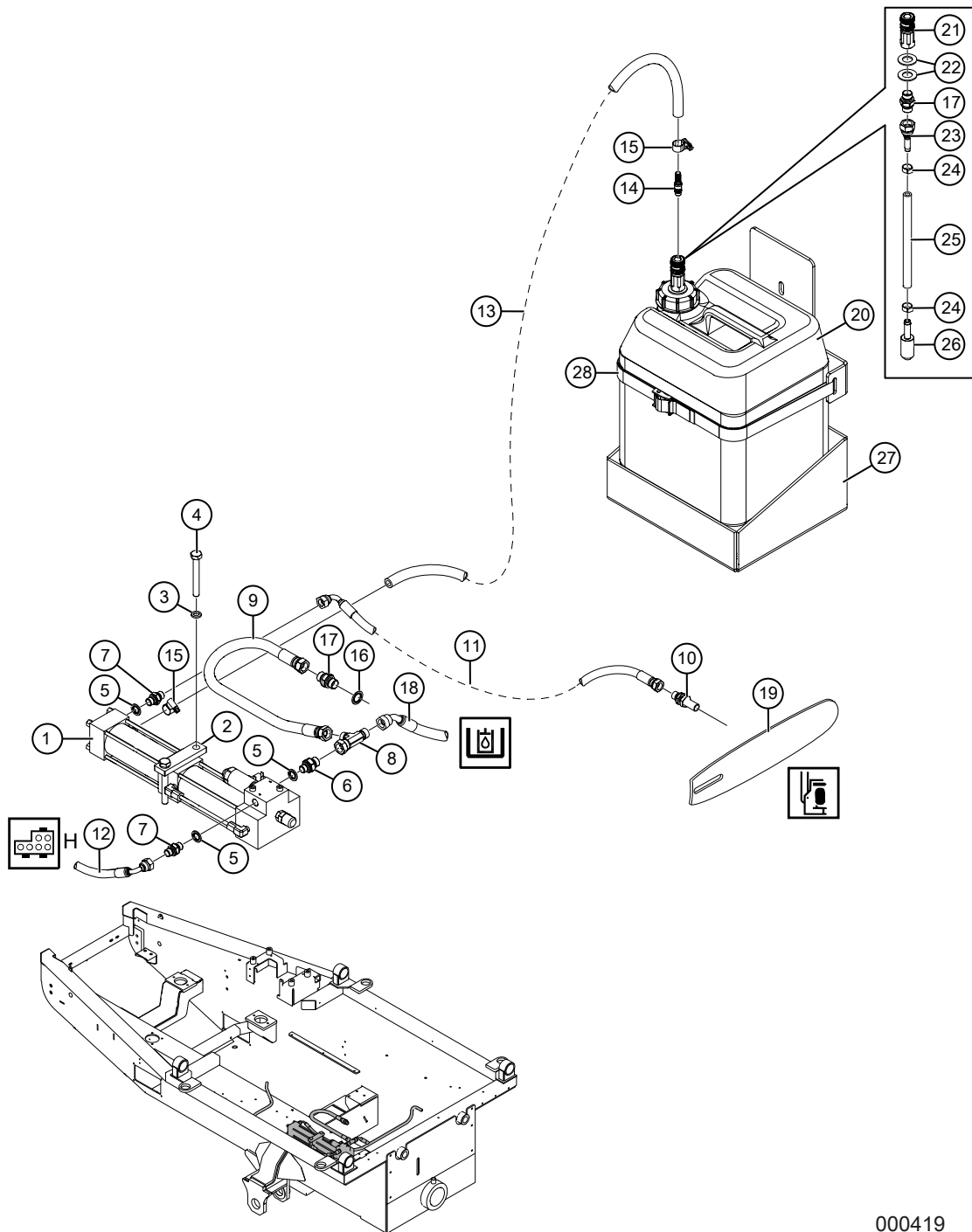


000642

Towing hook

Pos	Art.	Qty.	Description	Remarks
1	TE-701895	1 pc	Rear drawbar	
2	TE-700409	1 pc	Pin for drawbar	
3	KT-2326	1 pc	Cotter pin	5 mm
4	K6135-12	2 pcs	Lock nut	Nyloc M20
5	K6152-07	2 pcs	Washer	BRB M20 FZB
6	K6077-30	2 pcs	Screw	M6S 20X220 8.8 FZB ISO 4014
7	TE-702125	1 pc	Cover plate	Machine without towing hook
8	09-266793	4 pcs	Flange screw	M6SF 8x16 8.8 FZB
9	TE-702408	1 pc	Drawbar	
10	TE-702388	1 pc	Pin	D=30 mm
11	K6163-0020	4 pcs	Locking washer	Nordlock M20
12	KT-890065	4 pcs	Screw	M6S 20X50 8.8 FZB ISO 4017
13	TE-702421	1 pc	Cover plate	Machine without towing hook

Stump treatment

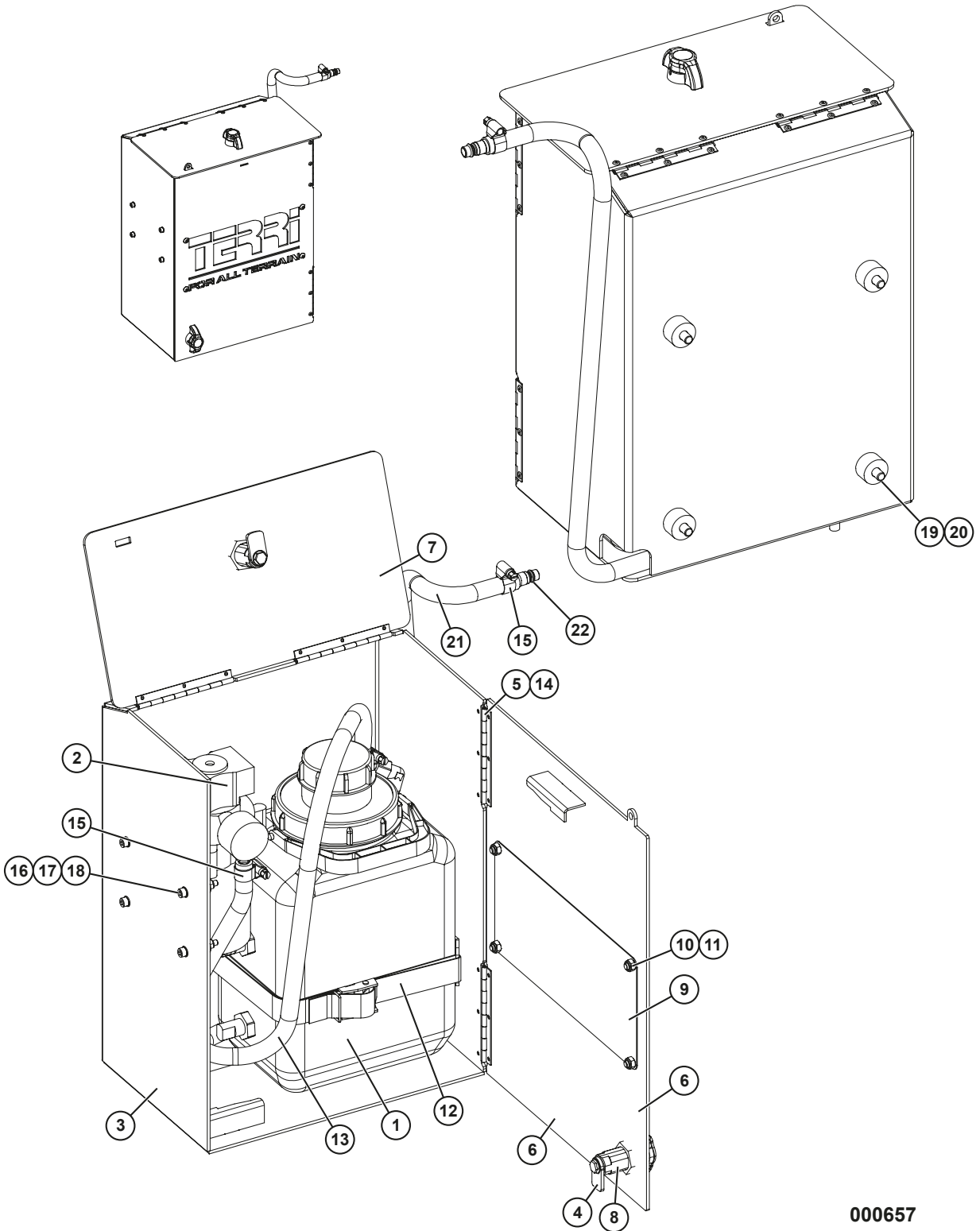


000419

Stump treatment

Pos	Art.	Qty.	Description	Remarks
1	KT-790635	1 pc	Pump	24V. PVR+CO2 2 dl
2	TE-700947	2 pcs	Clamp yoke urea pump	
3	K6163-003	2 pcs	Locking washer	Nordlock M10
4	K6078-04	2 pcs	Screw	M6S 8x100 8.8 FZB
5	KT-56010104	3 pcs	Rubber steel washer	1/4"
6	KT-70020406	1 pc	Adapter	1/4"UF-3/8"UF
7	KT-70020404	2 pcs	Adapter	1/4"UF-1/4"UF
8	KT-74040606	1 pc	T-adapter	3/8"UF/1R/UF
9	TS-123050	1 pc	Hydraulic hose	3/8" L=500 mm Straight-45°
10	KT-70900404	1 pc	Bulkhead connector	1/4"UF-1/4"UF
11	TS-112095	1 pc	Hydraulic hose	1/4" L=950 mm Straight-90°
12	TS-118090	1 pc	Hydraulic hose	1/4" L=900 mm spec.
13	KT-240502	LM	Fuel hose	8.0x3.0 mm L=3200 mm
14	K6626-82	1 pc	Nipple	CEJN 320 5/16"
15	KT-185102	2 pcs	Hose clamp	ABA ø11-17 mm
16	KT-56010106	1 pc	Rubber steel washer	3/8"
17	KT-70020606	2 pcs	Adapter	3/8"UF-3/8"UF
18	TS-128600	1 pc	Hydraulic hose	3/8" L=600 mm spec.
19	KT-790646	1 pc	Saw bar for stump treatment	2.0 mm
20	KT-267355	1 pc	Plastic can	20 L, incl. screw cap
21	K6626-80	1 pc	Safety connector	CEJN 320 3/8"
22	TE-700729	2 pcs	Washer	Stainless, 17.2x32x2
23	KT-420106061	1 pc	Connector	3/8"
24	KT-55603170	2 pcs	Hose clamp	Stepless ø14.5-17 mm
25	KT-240502	LM	Fuel hose	8.0x3.0 mm L=300 mm
26	KT-703138	1 pc	Weight	
27	TE-702968	1 pc	Canister holder	Replaces TE-700945
28	KT-K252000	1 pc	Tension belt	L=2000 mm

Cabinet Droppen cab

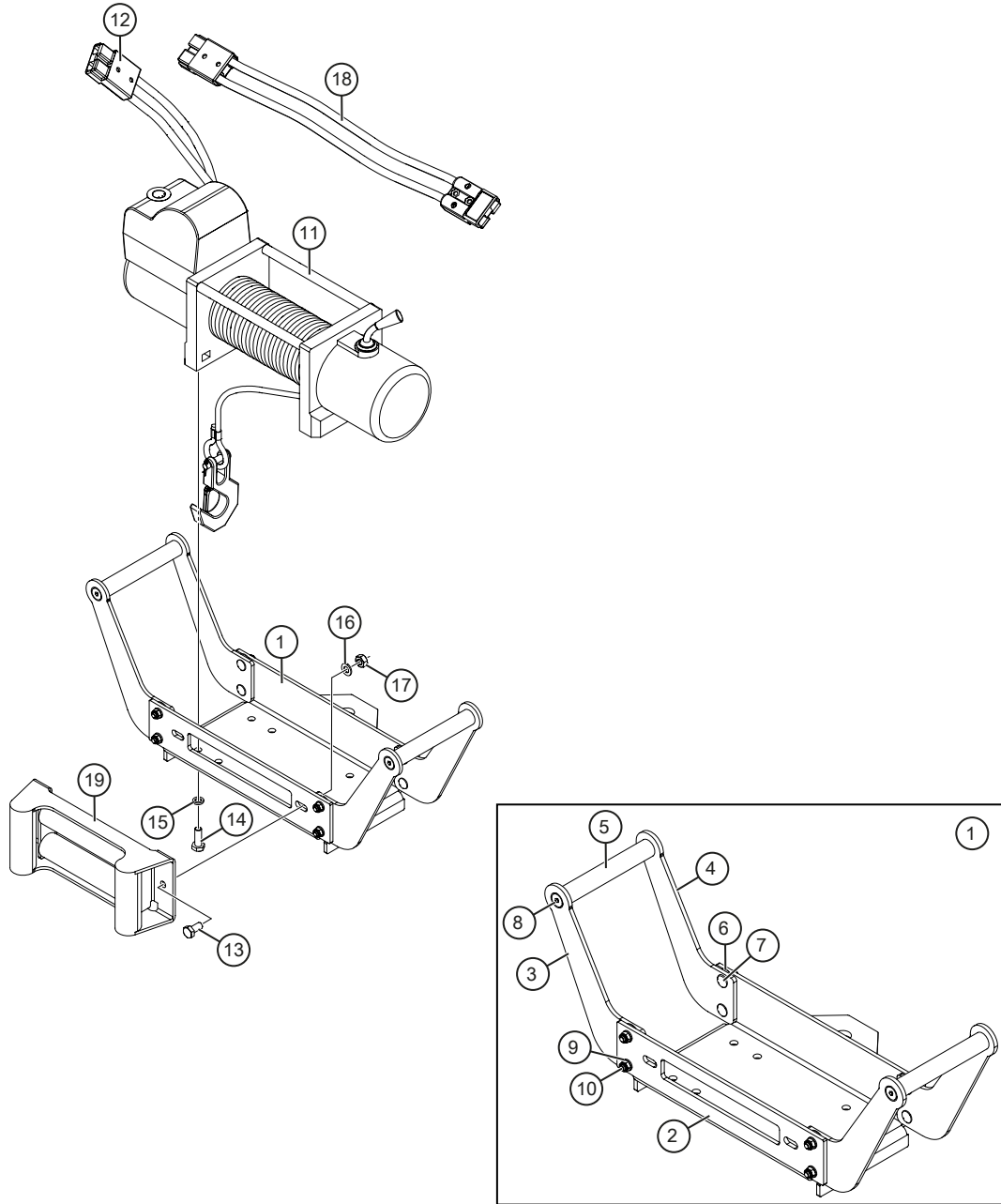


000657

Cabinet Droppen cab

Pos	Art.	Qty.	Description	Remarks
	TE-710223		Cabinet Droppen cab	Complete
1	KT-791638	1 pc	Dosage kit with canister	
2	KT-791637	1 pc	Water pump	
3	TE-703792	1 pc	Box	
4	TE-703799	2 pcs	Lock plate	
5	TE-702651	4 pcs	Hinge	1/4"
6	TE-703800	1 pc	Door	1/4"UF-3/8"UF
7	TE-703802	1 pc	Lid	1/4"UF-1/4"UF
8	KT-791284	2 pcs	Compression lock	3/8"UF/IR/UF
9	TE-701391	1 pc	Cover plate	3/8" L=500 mm Straight-45°
10	KT-266573	4 pcs	Screw	K6S 6x12 Zn-NI
11	K6133	4 pcs	Lock nut	LM6M M6 8 fzb
12	KT-K250500	1 pc	Tension belt	L=500 mm
13	KT-240502	1 pc	Fuel hose	8.0x3.0 mm L=800 mm
14	K6206-06	24 pcs	Rivet	3.2x8
15	KT-185104	4 pcs	Hose clamp	ABA ø15-24 mm
16	K6155	8 pcs	Flat washer	BRB M5 fzb
17	K6133-2	4 pcs	Lock nut	LM6M 5 8 fzb
18	09-267326	4 pcs	Hex screw	MC6S 5x35 8.8 fzb
19	K6163-004	4 pcs	Locking washer	Nordlock M8
20	K6075-02	4 pcs	Screw	M6S 8x30 8.8 fzb
21	KT-240502	1 pc	Fuel hose	8.0x3.0 mm L=1100 mm
22	KT-6626-82	1 pc	Nipple	5/16"

Electric front winch

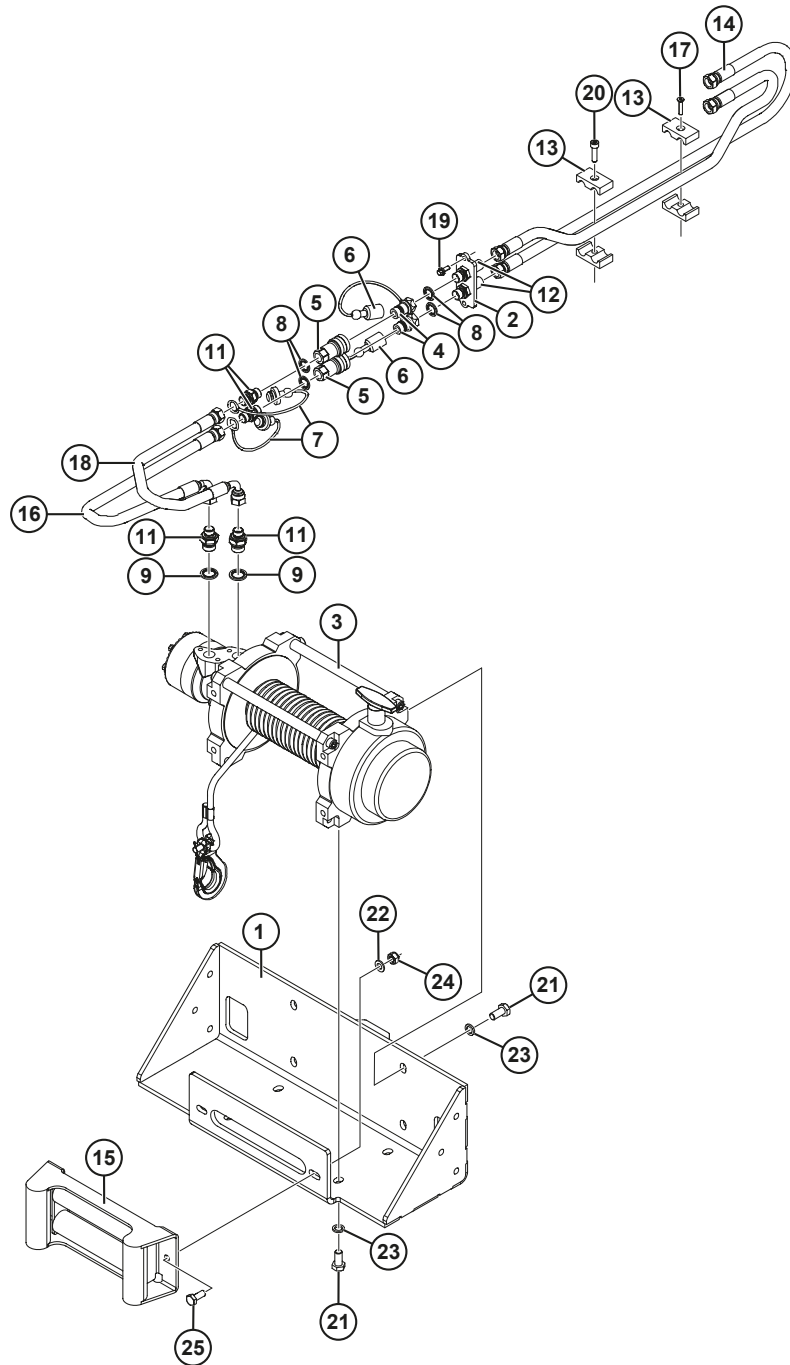


000643

Electric front winch

Pos	Art.	Qty.	Description	Remarks
1	TE-710056	1 pc	Winch bracket	Complete
2	TE-702618	1 pc	Winch bracket	Included in TE-710056
3	TE-702621	2 pcs	Side handle	Included in TE-710056. Right
4	TE-702622	2 pcs	Side handle	Included in TE-710056. Left
5	TE-702623	2 pcs	Handle	Included in TE-710056
6	09-266587	8 pcs	Washer	Included in TE-710056. 8.2x30x1
7	K6085-09	8 pcs	Trailer bolt	Included in TE-710056. MVBF M8x25 FZB
8	K6058-40	4 pcs	Screw	Included in TE-710056. MF6S 10x20 10.9 FZB
9	K6151	8 pcs	Flat washer	Included in TE-710056. BRB M8 FZB
10	K6134	8 pcs	Lock nut	Included in TE-710056. LM6M 8 Nyloc
11	KT-240003	1 pc	Electric winch	Complete. LV-P8000 24V. See sub-supplier documentation for detailed information.
12	KT-TBSK4WD	1 pc	Insulator glove	S 175 red 24V
13	K6077-011	1 pc	Screw	M6SH 10x22 8.8 FZB
14	K6077-02	2 pcs	Screw	M6S 10x30 8.8 FZB
15	K6163-003	4 pcs	Locking washer	Nordlock M10
16	K6152	4 pcs	Flat washer	BRB M10 FZB
17	K6131	2 pcs	Nut	M6M 10 8 FZB
18	KT-703609	6 pcs	Adapter, electric winch	
19		1 pc	Cable guide	Included in Electric Winch KT- 240003

Hydraulic front winch

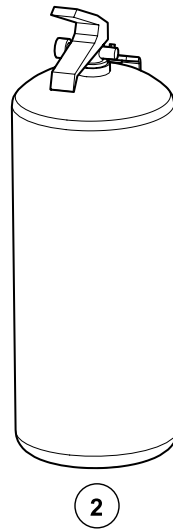
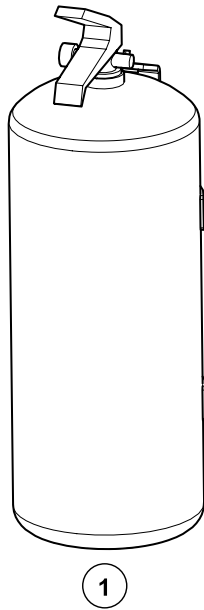


000644

Hydraulic front winch

Pos	Art.	Qty.	Description	Remarks
1	TE-701808	1 pc	Winch bracket	
2	TE-703595	1 pc	Mounting plate, hose connector	
3	KT-240021	1 pc	Hydraulic winch	Complete. HV10000 24 V See sub-supplier documentation for detailed information.
4	KT-55500206	2 pcs	Quick-release coupling	3/8" male
5	KT-55500306	2 pcs	Quick-release coupling	3/8" Female
6	KT-55510406	2 pcs	Dust guard	3/8" Male
7	KT-55500506	2 pcs	Dust guard	3/8" Female
8	KT-56010106	4 pcs	Rubber steel washer	3/8"
9	KT-56010108	2 pcs	Rubber steel washer	1/2"
10	KT-70020606	2 pcs	Adapter	3/8"UF-3/8"UF
11	KT-70020608	2 pcs	Adapter	3/8"UF-1/2"UF
12	KT-70900606	2 pcs	Bulkhead connector	3/8"UF-3/8"UF
13	KT-53904216	4 pcs	Double clamp	
14	TS-121380	2 pcs	Hydraulic hose	3/8" L=3800 mm Straight-Straight
15		1 pc	Cable guide	Incl. in hydraulic winch KT-240021
16	TS-122035	1 pc	Hydraulic hose	3/8" L=350 mm Straight-90°
17	K6085-0015	1 pc	Screw	MF6S 6x30 10.9 FZB
18	TS-122040	1 pc	Hydraulic hose	3/8" L=400 mm Straight-90°
19	09-267257	2 pcs	Flange screw	M6SF 6x16 8x8 FZB
20	K6065-45	1 pc	Hex screw	MC6S 8x30 8.8 FZB
21	K6077-113	8 pcs	Screw	M6S 12x25 8.8 FZB
22	K6152	2 pcs	Flat washer	BRB M10 FZB
23	K6163-000	8 pcs	Locking washer	Nordlock M12
24	K6135	2 pcs	Lock nut	LM6M 10 8 FZB
25	09-267743	2 pcs	Screw	M6SH 10x25 8.8 FZB

Fire extinguisher

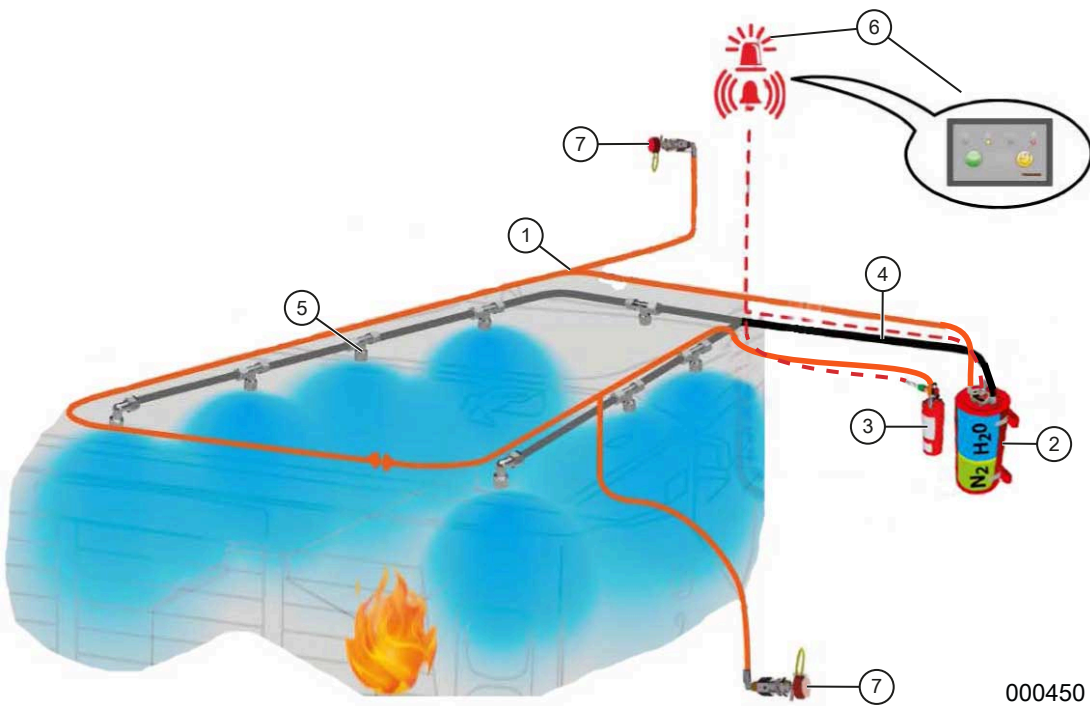


000112

Fire extinguisher

Pos	Art.	Qty.	Description	Remarks
1	KT-791177		Fire extinguisher	Foam, 9 kg
	KT-791178		Vehicle bracket	Fire extinguisher 9 kg
2	KT-790050-2		Fire extinguisher	Powder, 6 kg
	KT-790050-1		Vehicle bracket	Fire extinguisher 6 kg

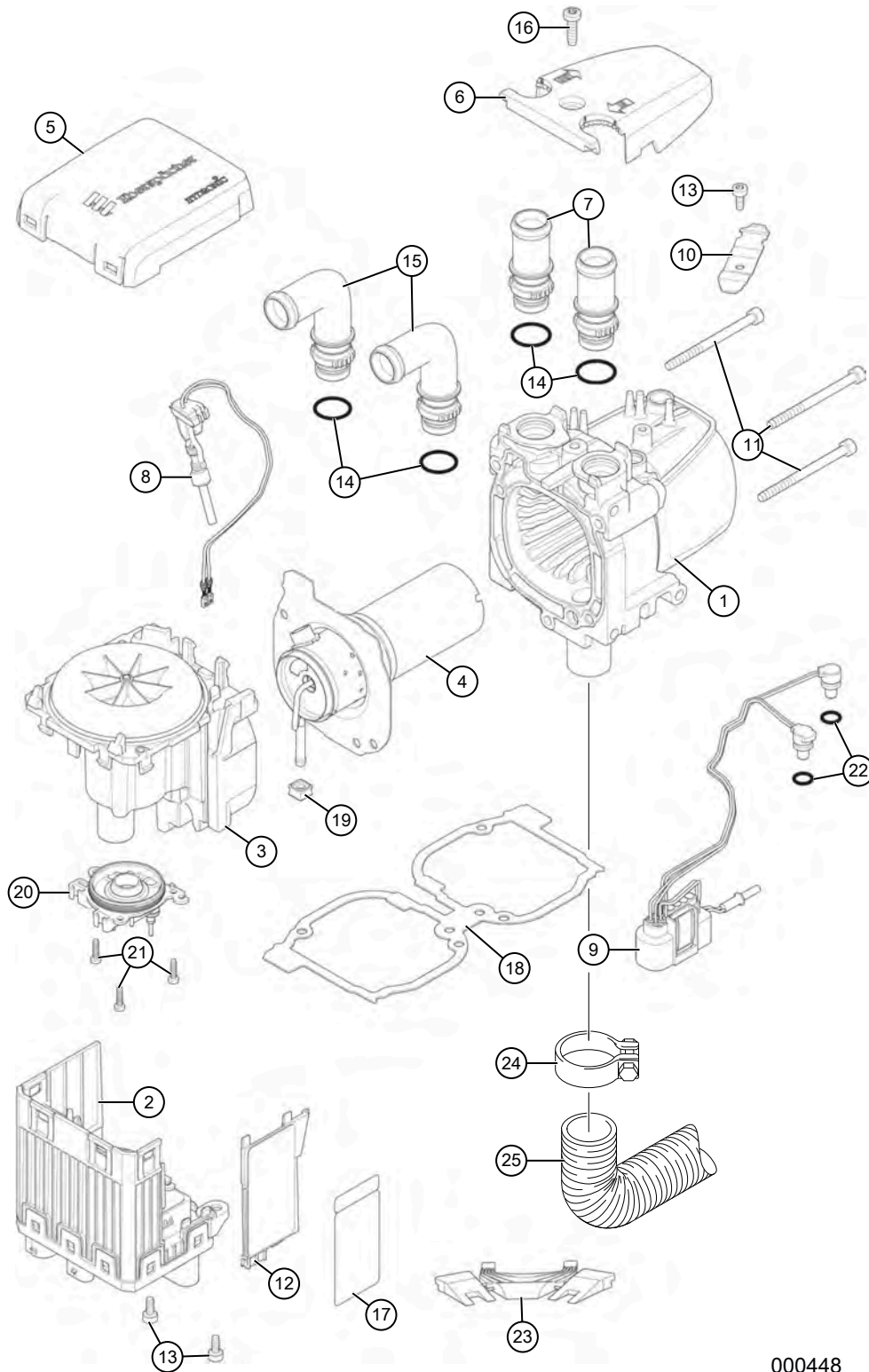
Fire extinguishing system



Fire extinguishing system

Pos	Art.	Qty.	Description	Remarks
			Fire suppression system Fogmaker	If you have problems or need spare parts, contact a Fogmaker authorised service dealer.
1		LM	Fogmaker hydropneum. detection hose	
2		1 pc	Extinguishing agent tank	
3		1 pc	Activator cartridge	
4			Extinguishing agent hoses	
5			Nozzles	
			Cutting rings	
			Nuts	
6		1 pc	Central unit	
7		2 pcs	Manual actuation valve	

Engine heater Eberspächer Hydronic S3 24V

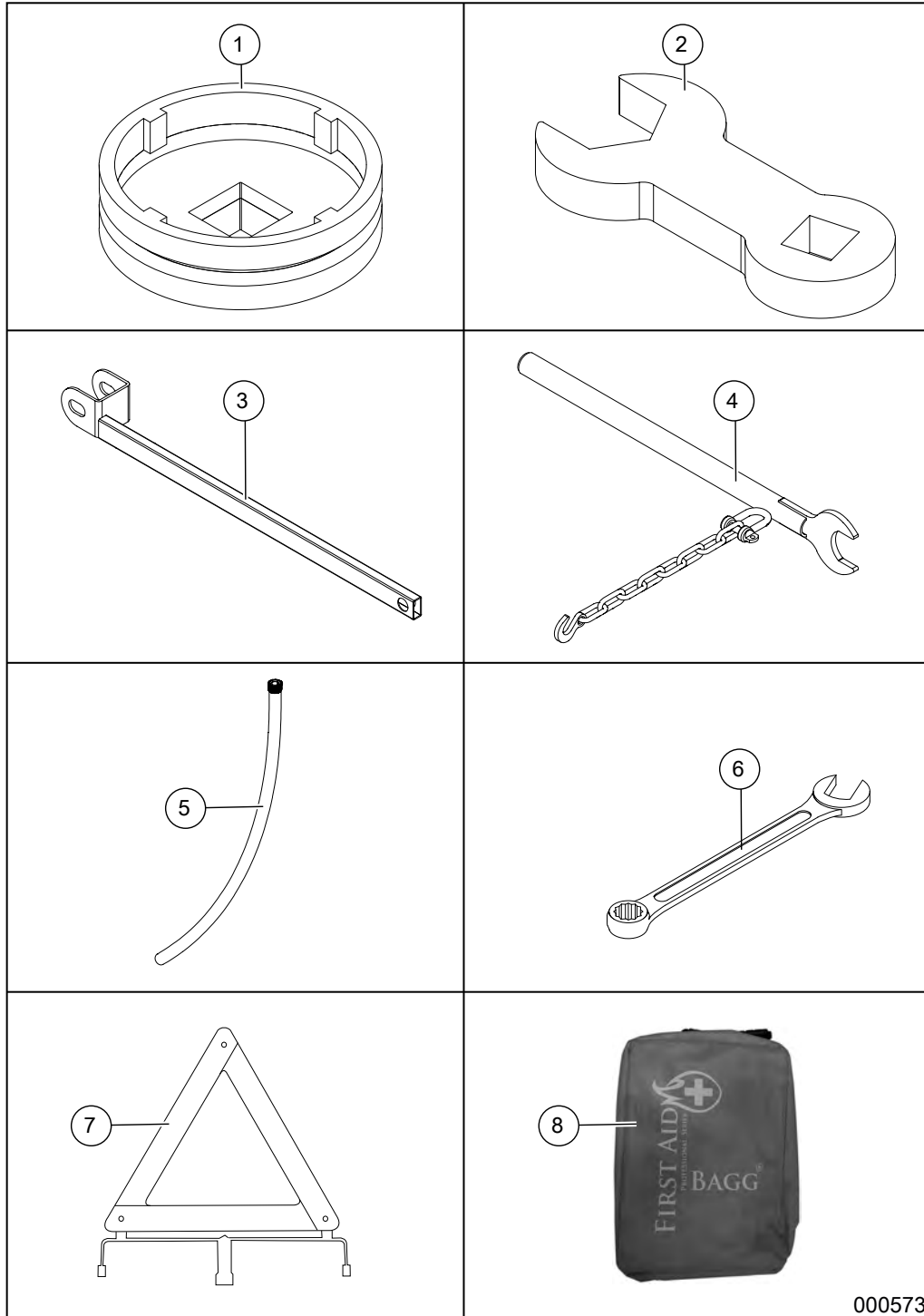


000448

Engine heater Eberspächer Hydronic S3 24V

Pos	Art.	Qty.	Description	Remarks
				The following parts are not stocked by Terri, but can be ordered separately if necessary.
	KT-240004		Engine Heater Diesel Kit 24V	For fuel pump, see Engine and Fuel System chapter
1		1 pc	Cover with heat exchanger	
2		1 pc	Control unit	Kit. Incl. item 2, 13, 17, 20 and 21
3		1 pc	Fan	
4		1 pc	Combustion chamber	Kit. Incl. 4, 18 and 19
5		1 pc	Fan cover	
6		1 pc	Cover, sensor	Kit. Incl. 6 and 16
7		1 pc	Water nozzles, straight	Kit. Incl. 7 and 14
8		1 pc	Glow plug	Kit. Incl. 8, 13, 20 and 21
9		1 pc	Cable harness for heater	Kit. Incl. 9, 13, 20 and 21
10		1 pc	Compression spring	Kit. Incl. 10 and 13
11		1 pc	Screw	Kit. M5 × 65 self-tapping, DIN 7500-EE
12		1 pc	Cover electric motor	
13		2 pcs	Screw	M4 × 10 self-tapping, DIN 7500-EE
14		2 pcs	O-ring	Ø 16x2
15		1 pc	Water nozzles, angled	Kit. Incl. 14 and 15
16		1 pc	Screw	M5 × 18 self-tapping, DIN 7500-CE
17		1 pc	Factory plate replacement	
18		1 pc	Gasket set	Incl. 18 and 19
19		1 pc	Bushing for fuel pipe	
20		1 pc	Cover, electric motor	
21		3 pcs	Screw	M3 × 12 self-tapping, DIN 7500
22		2 pcs	O-ring	Ø 7.5x2
23		1 pc	Control unit removal kit	
24		1 pc	Clamp	
25		1 pc	Exhaust hose	Ø 24 mm, L = 900 mm

Tools and miscellaneous



000573

Tools and miscellaneous

Pos	Art.	Qty.	Description	Remarks
1	TE-701543	1 pc	Wrench for castellated nut	
2	TE-703071	1 pc	Extension for torque wrench	
3	TE-700318	1 pc	Cab bar	
4	TE-702800	1 pc	Tool for tightening of quick-release connectors	
5	KT-59960126	1 pc	Drain hose	
6	KT-790897	1 pc	Combination wrench	24 mm
7	KT-252301	1 pc	Triangular warning sign	
8	KT-791138	1 pc	First aid kit	

Signs and decals



000106

Signs and decals

Pos	Art.	Qty.	Description	Remarks
1			Safety/Warning/Mandatory decal kit	
-	KT-790624		Warning decal	
-	KT-790626		Decal Fire extinguishing	
-	KT-253902		Decal Fire extinguisher	
-	KT-790542		Decal MOWI	
-	KT-790541		Decal, Risk Zone 20 m	
-	KT-790543		Decal, Do not walk under suspended loads	
2			Decal kit int. In cab	
-	KT-790623		Instrument decal	
-				
3	KT-791155		Decals Terri 3FW	
	KT-791155-1		Decals Terri 3CW	
	KT-791155-2		Decals Terri 3HW	
	KT-791155-AWS		Decal AWS, window	
	KT-791155-HUV		Decals HOOD	
	KT-791268		Decals Terri 3FT	
	KT-791268-1		Decals Terri 3CT	
	KT-791268-2		Decals Terri 3HT	
	KT-791137		Decals "loose" platform sides	
	KT-791108		Decals Platform, TERRI and "stamp"	
-	KT-890165		Decal "Terri, For All Terrain"	
-	KT-791056		Decal "Made in Småland"	

Colour

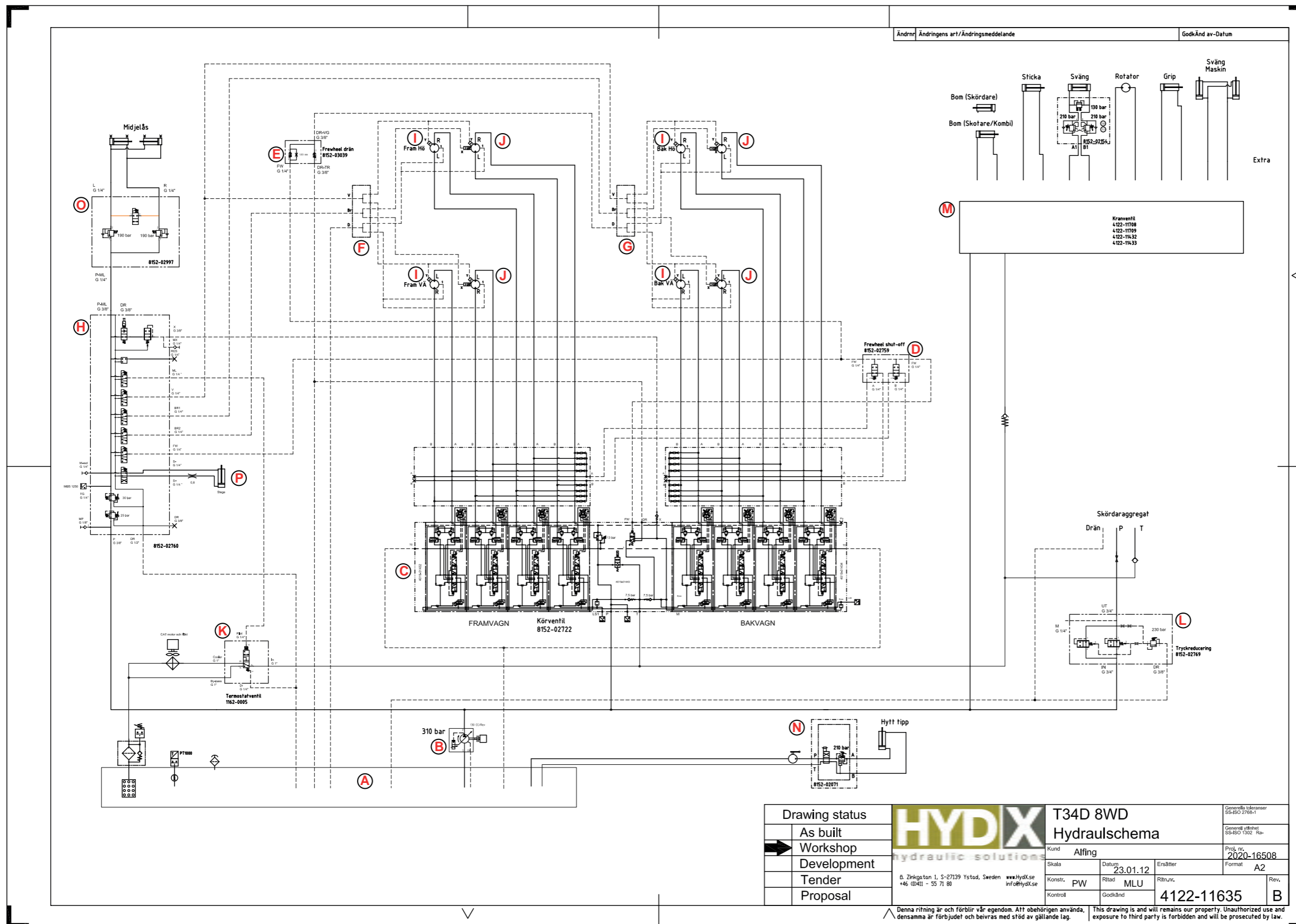


Colour

Pos	Art.	Qty.	Description	Remarks
1			Red RAL 3002	
2			Grey RAL 7040	
3			Black RAL 9005	

13 HYDRAULIC DIAGRAM

Rev B



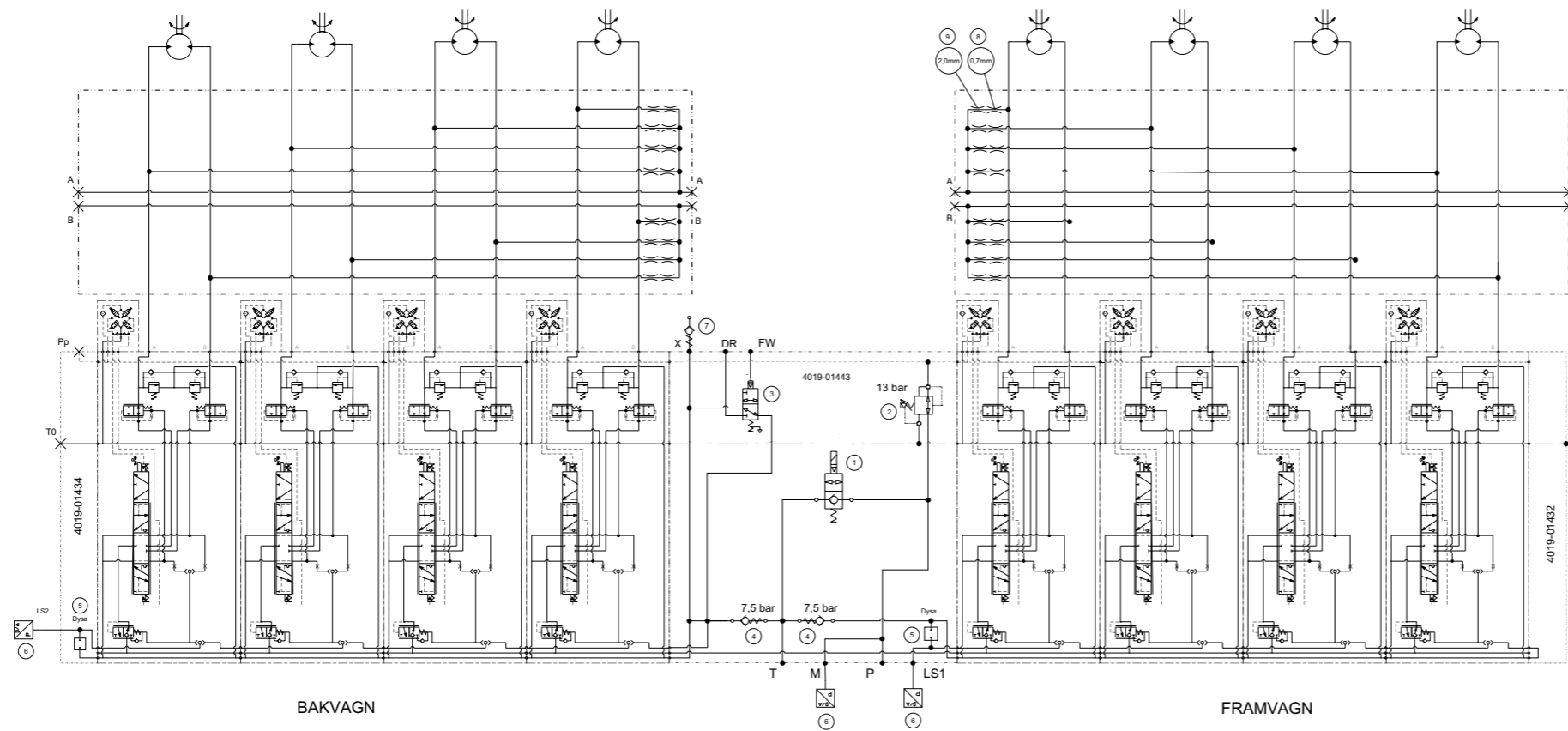
Drawing status	HYDX hydraulic solutions	T34D 8WD Hydraulschema	Generella tillämnar SS-ISO 2768-1
As built			Generella ytbehov SS-ISO 1502, Ra-
Workshop		Kund Alfing	Proj. nr. 2020-16508
Development		Skala Datum 23.01.12 Ersätter	Format A2
Tender	ö. Zinkgatan 1, S-27139 Ystad, Sweden +46 (0)411 - 55 71 80 www.HydK.se info@HydK.se	Konstr. PW Ritad MLU Ritnr.	Rev.
Proposal		Kontroll Godkänd 4122-11635	B

△ Denna ritning är och förblir vår egendom. Allt obehörigen användande, dessamma är förbjudet och beivras med stöd av gällande lag. This drawing is and will remain our property. Unauthorized use and exposure to third party is forbidden and will be prosecuted by law.

Rev B

Pos	Art.	Qty.	Description	Remarks
A	TE-702154	1 pc	Hydraulic tank	Up to machine T23-019.
	TE-702987	1 pc	Hydraulic tank	From machine T23-020.
B	KT-791320	1 pc	Pump drive	130cc 24V. Up to machine T21-006.
	KT-791320	1 pc	Pump drive	115cc 24V. From machine T22-001.
C	KT-791219	1 pc	Drive valve	8WD. Up to machine T23-026. Not T23-016.
	KT-791433	1 pc	Drive valve	8WD CAN controlled. From machine T23-027. Also T23-016.
D	KT-791210	1 pc	Block valve drain	
E	KT-791227	1 pc	Valve block drainage trailer	
F	KT-790600	1 pc	Valve block	Front bogie
G	KT-790600	1 pc	Valve block	Rear bogie
H	KT-791214	1 pc	Pilot block	Complete
I	KT-791225	4 pcs	In-wheel motor without parking brake	1248cc Poclain
J	KT-791226	4 pcs	In-wheel Motor With Parking Brake	1248cc Poclain
K	KT-791338	1 pc	Thermostat block	Ver 2. Up to machine T23-006. Not T21-001, T22-001, T22-006 and T22-007.
	KT-791378	1 pc	Thermostat block	Ver 3. From machine T23-007. Also T21-001, T22-001, T22-006 and T22-007.
L	KT-791202	1 pc	Pressure limiting valve	Applies to Combi and Harvester.
M		1 pc	Crane valve	See <i>Crane valve with connections</i> , page 99.
N	KT-790603	1 pc	Cab block	Up/down
O	KT-791217	1 pc	Articulation lock block	
P	TE-710040	1 pc	Ladder	Up to machine T23-028.
	TM-710157	1 pc	Ladder	From machine T23-029.

Drive valve 8WD



HYDX artikelnummer: 8152-02722
T34D - Körventil 8WD

Pos	Qty	Part No.	Description	Model Code																																													
<table border="1"> <tr> <td>Drawing status</td> <td colspan="3">HYDX Hydraulic Circuit Diagram</td> <td>Model Code</td> </tr> <tr> <td>As built</td> <td colspan="3"></td> <td>TERRI T34D</td> </tr> <tr> <td>Workshop</td> <td colspan="3"></td> <td>2020-16508</td> </tr> <tr> <td>Development</td> <td colspan="3"></td> <td>Equipment No.</td> </tr> <tr> <td>Tender</td> <td colspan="3"> Viscosity at 40°C: xxx cSt Normal Temperature Range: LL-HHPC Voltage Electric Motors: xxx/yyy VAC zz Hz Control Voltage: xxx DC/AC Designed For Mineral Oil </td> <td>Customer</td> </tr> <tr> <td>Proposal</td> <td colspan="3"> O. Zirkvägen 1, S-271 39 Ystad, Sweden +46 (0)411 - 55 71 80 www.HyDX.se info@HyDX.se </td> <td>Alfing/Terri</td> </tr> <tr> <td></td> <td>Design</td> <td>Sheet</td> <td>Size</td> <td>Date</td> </tr> <tr> <td></td> <td>PW</td> <td>MLU</td> <td>A1</td> <td>2021.06.22</td> </tr> <tr> <td></td> <td></td> <td></td> <td></td> <td>Drawing No. 4122-11633</td> </tr> </table>					Drawing status	HYDX Hydraulic Circuit Diagram			Model Code	As built				TERRI T34D	Workshop				2020-16508	Development				Equipment No.	Tender	Viscosity at 40°C: xxx cSt Normal Temperature Range: LL-HHPC Voltage Electric Motors: xxx/yyy VAC zz Hz Control Voltage: xxx DC/AC Designed For Mineral Oil			Customer	Proposal	O. Zirkvägen 1, S-271 39 Ystad, Sweden +46 (0)411 - 55 71 80 www.HyDX.se info@HyDX.se			Alfing/Terri		Design	Sheet	Size	Date		PW	MLU	A1	2021.06.22					Drawing No. 4122-11633
Drawing status	HYDX Hydraulic Circuit Diagram			Model Code																																													
As built				TERRI T34D																																													
Workshop				2020-16508																																													
Development				Equipment No.																																													
Tender	Viscosity at 40°C: xxx cSt Normal Temperature Range: LL-HHPC Voltage Electric Motors: xxx/yyy VAC zz Hz Control Voltage: xxx DC/AC Designed For Mineral Oil			Customer																																													
Proposal	O. Zirkvägen 1, S-271 39 Ystad, Sweden +46 (0)411 - 55 71 80 www.HyDX.se info@HyDX.se			Alfing/Terri																																													
	Design	Sheet	Size	Date																																													
	PW	MLU	A1	2021.06.22																																													
				Drawing No. 4122-11633																																													

INDEX

09-265139.....	130	83-0051-FZB.....	168
09-265439.....	132		
09-265505.....	94		
09-265543.....	142, 164, 168	K-6152.....	20
09-265597.....	114	K6030-5.....	94
09-265604.....	12, 14, 42	K6058-40.....	142, 152, 168, 228
09-265605.....	12, 14, 74, 76, 144, 146, 148, 164	K6062-02.....	130
09-265702.....	96, 98, 112, 118, 168	K6062-1.....	130, 132
09-265731.....	24, 28, 38, 42	K6062-11.....	148
09-266027.....	146, 148	K6062-3.....	190, 192
09-266028.....	148	K6065.....	132, 144
09-266029.....	150, 152	K6065-25.....	146
09-266030.....	96, 98	K6065-45.....	218, 230
09-266034.....	24, 28, 148	K6065-601.....	132, 148
09-266035.....	166	K6066.....	144
09-266036.....	32, 86, 148, 164, 168	K6066-01.....	74, 76
09-266037.....	164	K6067-18.....	50
09-266040.....	8, 32	K6067-19.....	128
09-266194.....	52, 94, 150	K6067-20.....	48
09-266195.....	130, 148	K6067-24.....	14
09-266243.....	164	K6067-26.....	42, 48
09-266309.....	154	K6068-071.....	132
09-266587.....	228	K6074-09.....	90, 96, 98, 114, 138
09-266779.....	94	K6075.....	118, 156, 158, 168
09-266793.....	12, 14, 24, 28, 38, 62, 64, 74, 76, 148, 222	K6075-01.....	10
09-266960.....	112, 118	K6075-02.....	226
09-266966.....	208, 210, 212, 214	K6076-2.....	118
09-267024.....	130, 164	K6076-330.....	112
09-267027.....	86, 168	K6077.....	162
09-267053.....	168	K6077-001.....	12, 14, 32, 94, 152
09-267054.....	130, 144	K6077-01.....	118, 168
09-267055.....	144	K6077-011.....	228
09-267180.....	164, 168, 170	K6077-02.....	8, 118, 160, 228
09-267189.....	138	K6077-08.....	136
09-267257.....	24, 28, 230	K6077-113.....	230
09-267313.....	138	K6077-114.....	126
09-267314.....	138	K6077-201.....	156, 158
09-267315.....	138	K6077-202.....	150
09-267316.....	138	K6077-206.....	208, 210, 212
09-267326.....	146, 148, 226	K6077-30.....	150, 222
09-267330.....	54	K6077-31.....	152
09-267440.....	38, 150	K6078-02.....	118, 138, 150, 168
09-267446.....	40, 56, 58, 60	K6078-04.....	224
09-267485.....	162	K6078-28.....	190
09-267589.....	118	K6078-310.....	164
09-267591.....	132	K6080-20.....	38, 42, 46
09-267641.....	126	K6085-001.....	158
09-267708.....	148	K6085-0012.....	166, 190
09-267710.....	14, 132	K6085-0015.....	230
09-267713.....	88, 146	K6085-0016.....	42
09-267716.....	214	K6085-021.....	160
09-267743.....	230	K6085-062.....	50
09-267804.....	130	K6085-064.....	82, 84
09-267808.....	112, 118	K6085-09.....	228
09-267810.....	112, 118, 150	K6129.....	94
09-268054.....	140	K6131.....	228
703375.....	136	K6131-02.....	38, 42, 46
81-0239.....	140	K6133.....	138, 166, 170, 190, 192, 226
81-0249-FZB.....	130	K6133-1.....	130
81-0467.....	166	K6133-2.....	226
81-0483-FZB.....	136	K6134.....	96, 98, 130, 156, 164, 168, 228
		K6135.....	118, 138, 168, 230
		K6135-1.....	118, 138

K6135-11.....	150	KT-240026	202
K6135-12	96, 98, 132, 150, 222	KT-240027	198
K6150	170	KT-240028	202
K6151	114, 132, 144, 146, 164, 168, 228	KT-240029	202
K6152	8, 42, 118, 138, 150, 228, 230	KT-240030	206
K6152-050.....	118	KT-240031	202
K6152-051.....	150, 208, 210, 212, 214	KT-240032	102, 104, 106, 108
K6152-07	132, 150, 222	KT-240033	102, 106
K6155	226	KT-240035	22
K6162-01	128	KT-240036	24, 28
K6162-02	128	KT-240036-1.....	24, 28
K6163-000....	8, 38, 42, 46, 112, 118, 128, 140, 230	KT-240037	174
K6163-002.....	126, 160, 162	KT-240038	172, 174
K6163-0020	112, 118, 150, 152, 222	KT-240039	172
K6163-003.....	14, 20, 48, 118, 160, 162, 218, 224, 228	KT-240040	172
K6163-004.....	96, 98, 112, 118, 138, 144, 166, 218, 226	KT-240043	172
K6206-06	130	KT-240046	48
K6206-06.....	226	KT-240210	24, 28
K6626-61	138	KT-240502	12, 14, 24, 28, 224, 226
K6626-72	218	KT-2410010103	140
K6626-73	218	KT-2420002203	140
K6626-80	224	KT-2420200620	140
K6626-82	224	KT-2435200201	140
KT-003602	166	KT-252301	238
KT-0146.125.....	130	KT-253902	240
KT-0447R.....	156, 158	KT-256201	198, 202
KT-0539	32	KT-256301	198, 202
KT-0541	164	KT-256401	198, 202
KT-0547C.....	164	KT-256701	202
KT-082002	146, 148	KT-266573	226
KT-1012751.....	198, 202	KT-266883	150
KT-123120	132, 218	KT-267126	38
KT-14350032	24, 28	KT-267140	38, 42, 46
KT-14450765	114	KT-267172	20
KT-15519378	114	KT-267295	158
KT-162820	164	KT-267355	224
KT-175550	198, 202	KT-267802	10
KT-175552	198, 202	KT-267855	158
KT-176425	14	KT-267899	158
KT-185015	10	KT-268013	218
KT-185102	24, 28, 224	KT-268014	218
KT-185104	12, 14, 22, 30, 226	KT-268059	214
KT-185105	22	KT-268060	214
KT-185111	12, 14	KT-268061	214
KT-185112	24, 28	KT-268062	214
KT-185114	32	KT-2719192.....	172
KT-185115	32	KT-30012572.....	198, 202
KT-185406	12, 14	KT-38890	166
KT-186204	170	KT-420106061	224
KT-186307	170	KT-42020405.....	14
KT-2326	154, 168, 222	KT-42030812.....	22
KT-239802	206	KT-4600-100.....	96, 98, 140, 150
KT-240000	170, 206	KT-4690135.....	184, 188
KT-240001	168, 206	KT-5001488.....	172
KT-240003	228	KT-5001508.....	168, 172
KT-240004	236	KT-500220	156
KT-240008	184, 188	KT-50541	140
KT-240009	184, 188	KT-50542	140
KT-240010	206	KT-50740606.....	24, 28
KT-240011	206	KT-50740812.....	12, 14
KT-240015	206	KT-50991141.....	12, 14
KT-240021	230	KT-5201297005.....	204
KT-240025	198, 202	KT-5201297075.....	204
		KT-5201299030.....	204
		KT-5201299040.....	204

KT-5201498030.....	198	KT-61710602.....	140
KT-5201498040.....	198, 202	KT-61720606.....	140
KT-5201498060.....	198, 202	KT-63155.....	164
KT-52933.....	164	KT-63186.....	164
KT-52971.....	164	KT-63189.....	164
KT-52996.....	164	KT-65669020.....	170
KT-53900528.....	46, 82	KT-6626-82.....	226
KT-53904216.....	230	KT-68140015.....	168
KT-53904426.....	84	KT-7002006.....	22
KT-55400040.....	38, 42, 46	KT-70020204.....	48
KT-55410016.....	48	KT-70020404.....	46, 48, 52, 54, 56, 58, 60, 62, 64, 74, 82, 88, 94, 218, 224
KT-55500204.....	112	KT-70020406.....	62, 64, 86, 90, 224
KT-55500206.....	40, 44, 230	KT-70020606.....	48, 56, 58, 60, 62, 64, 86, 92, 104, 108, 208, 210, 212, 224, 230
KT-55500208.....	214	KT-70020608.....	54, 56, 58, 60, 64, 104, 108, 110, 214, 230
KT-55500304.....	112, 218	KT-70020612.....	38, 42
KT-55500306.....	230	KT-70020808.....	48, 104, 108, 110, 214, 218
KT-55500308.....	214	KT-70020812.....	46
KT-55500506.....	230	KT-70021212.....	46, 48, 82, 84, 86, 104, 108
KT-55510406.....	40, 44, 230	KT-70021216.....	48, 84, 218
KT-55510504.....	218	KT-70021616.....	74, 76, 80
KT-55520208.....	112	KT-70021620.....	38, 42, 78, 80
KT-55520308.....	112, 218	KT-7003416.....	172
KT-55520508.....	218	KT-7003417.....	172
KT-55520516.....	218	KT-7003426.....	172
KT-55520708V.....	112	KT-7003427.....	172
KT-55520716V.....	112	KT-700661.....	146, 148
KT-55522216.....	112	KT-70080408.....	44
KT-55522316.....	112, 218	KT-70080608.....	44
KT-55603170.....	24, 28, 224	KT-70081212.....	82, 84, 86
KT-55603185.....	24, 28	KT-70081216.....	48, 84
KT-56010102.....	48	KT-70081616.....	48, 84
KT-56010104.....	14, 24, 28, 46, 48, 52, 54, 56, 58, 60, 62, 64, 74, 76, 86, 88, 94, 96, 98, 218, 224	KT-701010.....	140
KT-56010106.....	40, 44, 48, 54, 56, 58, 60, 62, 64, 86, 90, 92, 94, 104, 108, 208, 210, 212, 214, 224, 230	KT-70110202.....	44
KT-56010108.....	12, 14, 22, 42, 48, 104, 108, 214, 218, 230	KT-70110404.....	24, 28
KT-56010112... ..	38, 42, 46, 48, 82, 84, 86, 104, 108, 218	KT-70150409.....	66, 68, 70, 72
KT-56010116.....	48, 74, 76, 84, 218	KT-70150612.....	66, 68, 70, 72
KT-56010120.....	38, 42, 78, 80	KT-70150817.....	66, 68, 70, 72
KT-56010206.....	24, 28	KT-701858.....	132
KT-56010208.....	38	KT-702280.....	24, 28
KT-56010222.....	38	KT-702281.....	38
KT-56100216.....	48	KT-702282.....	38
KT-56100220.....	46	KT-702283.....	24, 28
KT-56100240.....	40, 44, 46	KT-702417.....	206
KT-580908.....	164	KT-702418.....	206
KT-58132346.....	198	KT-702954.....	138
KT-58301608.....	24, 28	KT-703134.....	46
KT-58600812.....	22	KT-703138.....	24, 28, 224
KT-59020007.....	112	KT-703180.....	204
KT-59020009.....	140	KT-703182-H.....	196
KT-59950112.....	34	KT-703182-V.....	194
KT-59960126.....	34, 238	KT-703306.....	172
KT-6067-262.....	10, 20	KT-703374.....	136
KT-6067-270.....	8, 140	KT-703457.....	42
KT-6067-281.....	160, 162	KT-703458.....	42
KT-6067-284.....	96, 98	KT-703459.....	42
KT-6067-290.....	128	KT-703485.....	98
KT-6070-03.....	138	KT-703486.....	98
KT-60990044.....	38	KT-703487.....	98
KT-60990073.....	38	KT-703574.....	22
KT-61500015.....	38	KT-703575.....	22
		KT-703576.....	22
		KT-703577.....	22

KT-703578	22	KT-765044	12, 14
KT-703579	22	KT-765045	18
KT-703580	22	KT-765046	32
KT-703582	22	KT-765047	34
KT-703609	228	KT-765049	34
KT-703692	140	KT-785000	114
KT-703693	140	KT-785000-1	216
KT-70900008	42	KT-785000-2	114, 118, 218
KT-70900016	144	KT-785011	140
KT-70900404	64, 82, 84, 112, 114, 224	KT-785018	206
KT-70900606	40, 112, 114, 230	KT-785036	94, 136
KT-70900808	42, 82, 84, 112, 114, 214	KT-785179	184, 188
KT-70901010	84, 112	KT-790011	104, 108
KT-70901212	82, 84, 86, 112	KT-790028	208, 210, 212, 214
KT-72031616	48, 84	KT-790029	208, 210, 212, 214
KT-72040202	44	KT-790032	208, 210, 212, 214
KT-72040404	64, 76, 96, 98	KT-790037	172
KT-72040606	94	KT-790038	172
KT-72050404	40, 88, 94	KT-790039	172
KT-72050606	62, 208	KT-790042	172
KT-72050808	44	KT-790046	174
KT-72051616	40	KT-790050	168
KT-73030404	62	KT-790050-1	168, 232
KT-73051616	44, 76, 80	KT-790050-2	232
KT-74011616	82	KT-790052	206
KT-74030404	62, 64, 66, 68	KT-790069	172
KT-74030606	64	KT-790515	128, 208
KT-740404041	44, 52, 90	KT-790515-1	128
KT-74040606	40, 86, 92, 224	KT-790516	128
KT-74040808	44	KT-790531	126
KT-74041616	48, 74, 76, 80, 82, 84	KT-790539	122
KT-74131616	48, 84	KT-790540	122
KT-75030004	48, 62, 64	KT-790541	240
KT-75030006	64	KT-790542	240
KT-765001	12	KT-790543	240
KT-765001-1	12	KT-790553	38, 42
KT-765001-2	12, 16, 78, 80	KT-790559	86
KT-765001-3	12, 16	KT-790566-2	62, 64
KT-765001-4	12, 16	KT-790595	184, 188
KT-765001-5	12, 16	KT-790600	56, 58, 60, 244
KT-765001-6	12, 16	KT-790601	94
KT-765001-7	12, 16	KT-790602	94
KT-765001-8	12, 14	KT-790603	94, 244
KT-765003	12, 14	KT-790605	110
KT-765004	12, 14	KT-790623	240
KT-765005	12, 14	KT-790624	240
KT-765006	12, 14	KT-790626	240
KT-765007	12, 14	KT-790635	224
KT-765008	32	KT-790636	122
KT-765009	32	KT-790646	224
KT-765010	32	KT-790653	48
KT-765011	12, 14	KT-790672	208
KT-765018	20	KT-790672-1	208
KT-765020	172	KT-790680	22
KT-765034	32	KT-790685-1	122
KT-765034-1	32	KT-790685-3	122
KT-765035	34	KT-790690	164
KT-765036	34	KT-790691	166
KT-765036-1	34	KT-790691-1	166
KT-765037	24, 28	KT-790692	84, 164
KT-765038	24, 28	KT-790694	170
KT-765039	34	KT-790695	168
KT-765039-1	34	KT-790698	170
KT-765042-5	22	KT-790700	164
KT-765043	10	KT-790708	182, 186

KT-790710	164	KT-790988-3.....	160, 162
KT-790712	172	KT-790988-4.....	160, 162
KT-790725	102, 106	KT-790988-5.....	160, 162
KT-790749	206	KT-790988-6.....	160, 162
KT-790754	102, 106	KT-790988-7.....	160, 162
KT-790769	174	KT-790988-8.....	160, 162
KT-790775	172	KT-790988-9.....	160, 162
KT-790779	172	KT-790989	140
KT-790780	172, 174	KT-790989-1.....	140
KT-790785	182, 186	KT-790989-2.....	140
KT-790818	104, 108	KT-790989-3.....	140
KT-790832	174	KT-790989-4.....	140
KT-790837-1.....	128	KT-790989-5.....	140
KT-790837-2.....	128	KT-790990	140
KT-790851	90	KT-790990-1.....	140
KT-790851-1.....	90	KT-790990-2.....	140
KT-790856	12, 14	KT-790990-3.....	140
KT-790862	182	KT-790995	122
KT-790863	182, 186	KT-790995-1.....	122
KT-790863-1.....	182, 186	KT-790995-4.....	122
KT-790879	184, 188	KT-791013	114
KT-790881	176	KT-791014	114
KT-790881-1.....	176	KT-791018	96, 98
KT-790881-10.....	176	KT-791019	96, 98
KT-790881-2.....	176	KT-791019-1.....	96, 98
KT-790881-20.....	176	KT-791025	96, 98
KT-790881-3.....	176	KT-791026	156, 158
KT-790881-30.....	176	KT-791032	218
KT-790881-4.....	176	KT-791043	182
KT-790881-40.....	176	KT-791045	206
KT-790881-5.....	176	KT-791045-1.....	206
KT-790881-50.....	176	KT-791046	160, 162
KT-790881-6.....	176	KT-791052	126
KT-790881-60.....	176	KT-791056	240
KT-790884	210	KT-791060	186
KT-790884-1.....	210	KT-791062	184, 188, 190, 192
KT-790887	102, 104, 106, 108	KT-791075	92
KT-790897	238	KT-791075-1.....	92
KT-790913	48, 82, 84	KT-791079	208, 210, 212, 214
KT-790919	38, 42	KT-791097	182
KT-790944	194	KT-791098	168
KT-790944-1.....	194	KT-791100	110
KT-790945	196	KT-791101	110
KT-790945-1.....	196	KT-791102	104, 108, 110
KT-790948	184	KT-791103	132, 206
KT-790949	114	KT-791105	24, 28
KT-790955	196	KT-791108	240
KT-790960	102, 106	KT-791110	110
KT-790961	114	KT-791111	110
KT-790962	48	KT-791116	184, 188, 206
KT-790967	160, 162	KT-791116-1.....	184, 188, 206
KT-790976	38, 42	KT-791116-2.....	118, 184, 188, 206
KT-790977	104, 108	KT-791116-3.....	184, 188, 206
KT-790979	220	KT-791116-4.....	184, 188, 206
KT-790979-1.....	220	KT-791116-5.....	184, 188, 206
KT-790979-10.....	220	KT-791116-6.....	184, 188
KT-790979-2.....	220	KT-791117	206
KT-790979-20.....	220	KT-791118	132, 206
KT-790979-3.....	220	KT-791118-1.....	133
KT-790979-30.....	220	KT-791119	24, 28
KT-790979-5.....	220	KT-791121	206
KT-790979-6.....	220	KT-791131	160, 162
KT-790988	160, 162	KT-791137	240
KT-790988-1.....	160, 162	KT-791138	238
KT-790988-2.....	160, 162	KT-791143	38, 42

KT-791143-1.....	38, 42	KT-791305	38, 42
KT-791143-2.....	38, 42	KT-791307	100, 106
KT-791143-20.....	38, 42	KT-791310	182, 186
KT-791146.....	112, 118	KT-791313	184, 188
KT-791155.....	240	KT-791317	102, 106
KT-791155-1.....	240	KT-791318	102, 104, 106, 108
KT-791155-2.....	240	KT-791319	102, 106
KT-791155-AWS	240	KT-791320	46, 244
KT-791155-HUV.....	240	KT-791320-1.....	46
KT-791158-1.....	214	KT-791326	160, 162
KT-791158-2.....	214	KT-791330	210
KT-791159.....	128, 212, 214	KT-791335	172
KT-791166.....	160, 162	KT-791337	122
KT-791177.....	132, 232	KT-791337-1.....	122
KT-791178.....	232	KT-791337-10.....	122
KT-791184.....	114	KT-791337-4.....	122, 124
KT-791185.....	38, 42, 46	KT-791337-5.....	122, 124
KT-791186H.....	160, 162	KT-791337-6.....	122, 124
KT-791186V.....	160, 162	KT-791337-7.....	122, 124
KT-791194.....	182, 186	KT-791337-8.....	122, 124
KT-791197.....	110	KT-791337-9.....	124
KT-791198.....	110	KT-791338	74, 244
KT-791202	86, 244	KT-791342	122
KT-791202-1.....	86	KT-791362	184, 188
KT-791202-2.....	86	KT-791363	184, 188
KT-791202-3.....	86	KT-791367	144
KT-791202-4.....	86	KT-791378	76, 244
KT-791203	188	KT-791379	138
KT-791203-1.....	184, 188	KT-791380	138
KT-791203-2.....	184, 188	KT-791381	138
KT-791204	198, 202	KT-791385	172
KT-791205	94	KT-791386	174
KT-791207	100, 102	KT-791419	122
KT-791210	52, 244	KT-791421	122
KT-791213	102, 104, 106, 108	KT-791422	122
KT-791214	62, 64, 244	KT-791422-1.....	122
KT-791214-2.....	62, 64	KT-791422-2.....	122
KT-791214-3.....	62, 64	KT-791422-3.....	122
KT-791217	88, 244	KT-791423	102, 106
KT-791217-1.....	88	KT-791424	102, 106
KT-791219	48, 244	KT-791425	102, 106
KT-791222	102, 106, 108	KT-791428	108
KT-791223	102, 104, 106, 108	KT-791432	126
KT-791224	102, 106, 108	KT-791433	48, 244
KT-791225	66, 68, 160, 162, 244	KT-791434	118
KT-791226	70, 72, 160, 162, 244	KT-791435	122
KT-791227	54, 244	KT-791438	188
KT-791228	104, 214	KT-791439	186
KT-791233	172	KT-791443	186
KT-791234	198	KT-791445	220
KT-791237	206	KT-791447	220
KT-791238	162	KT-791448	186
KT-791240	128	KT-791453	48
KT-791241	22	KT-791462	92
KT-791244	12, 14	KT-791465	148
KT-791245	12, 14	KT-791474	220
KT-791264	182	KT-791475	220
KT-791268	240	KT-791491	172
KT-791268-1.....	240	KT-791493	122
KT-791268-2.....	240	KT-791497	220
KT-791272	182, 186	KT-791499	220
KT-791281	102, 106	KT-791521	204
KT-791284	130, 226	KT-791522	204
KT-791303	102, 104, 106, 108	KT-791533	24
KT-791304	102, 106	KT-791534	28

KT-791536	28	T4299186	186
KT-791537	30	T4299189	182, 186
KT-791606	48	T4299190	182, 186
KT-791625	48	T4299191	182, 186
KT-791637	226	T4299195	182
KT-791638	226	T50032	182, 186
KT-791678	92	T50033	182, 186
KT-795002	8	T50041	198, 202, 204
KT-795003	8	T50125	182
KT-795023	32	T50127	182, 186
KT-795024	32	T50128	182, 186
KT-795027	20	T50153	182, 186
KT-795028	20	T50156	198, 202
KT-8000	20	T50165	198, 202
KT-8001	20	T50237	188
KT-8002163	172	T50330	182, 186
KT-8002520	172	T50366	182
KT-8003335	172	T50409	198, 202
KT-8003336	172	T50462	170
KT-8003337	172	T50535	206
KT-8003348	172	T50545	182, 186
KT-80311212	82, 84, 86	T50549	184, 188, 190
KT-83010004	86	T50550	182, 186
KT-890038	166	T50557	182
KT-890039	166	T51078	182, 186
KT-890040	166	T51079	182, 186
KT-890049	182	T53002	168
KT-890049-1	186	T53003	168
KT-890056	130	T53009	168
KT-890065	222	T53030	164
KT-890118	38, 42	T53033	130
KT-890135	182	T6493506	130, 164
KT-890165	240	TE-38329	164
KT-K250500	226	TE-38330	164
KT-K252000	224	TE-38331	164
KT-MB21755	122	TE-38339	164
KT-S3250	196	TE-38346	168
KT-S3309	194, 196	TE-38891H	166
KT-S3313	194, 196	TE-38891V	166
KT-S5692-1	194	TE-604387	150
KT-S5692-2	194	TE-604388	150
KT-S5692-4	194	TE-67545	164
KT-S5692-5	194	TE-67548	166
KT-S5693-1	196	TE-67549	166
KT-S5693-2	196	TE-700066	154
KT-S5693-3	196	TE-700091	140
KT-S5693-4	196	TE-700147-1	24, 28
KT-S5693-5	196	TE-700183	24, 28
KT-S6883	194, 196	TE-700243	90
KT-S6884	194, 196	TE-700270	150
KT-S6885	194, 196	TE-700271	150
KT-S6960	194	TE-700303	94
KT-S8495	194, 196	TE-700307	94
KT-TBSK4WD	228	TE-700309	112, 118
KT100024	150	TE-700318	238
KT100079	128	TE-700347	130
KT100180	214	TE-700348	130
KT55603157	14	TE-700409	132, 222
		TE-700466	168
		TE-700685	150
T3999042	130, 164	TE-700729	224
T4099298	94	TE-700730	22
T4299181	182, 186	TE-700749	150
T4299185	182	TE-700947	224
T4299185-1	186	TE-700984	174

TE-701000	140	TE-702108	8
TE-701092	142	TE-702116	150
TE-701093	142	TE-702125	222
TE-701094	142	TE-702131	14
TE-701095	142	TE-702135	12, 14
TE-701096	142	TE-702136	12
TE-701097	142	TE-702143	12, 14
TE-701100	168	TE-702153	82, 84
TE-701162	10	TE-702154	38, 244
TE-701195	150	TE-702168	24
TE-701235	86, 132, 168, 206	TE-702176	24, 28
TE-701279	216, 218	TE-702187	32
TE-701284	216	TE-702190	32
TE-701375	154	TE-702223	24
TE-701391	132, 226	TE-702224	32
TE-701441	146	TE-702227	32
TE-701481	156	TE-702232	112
TE-701499	156, 158	TE-702245	150
TE-701500	156	TE-702254	152
TE-701509	96, 98	TE-702261	112
TE-701511	150	TE-702284	132
TE-701523	96	TE-702285	132
TE-701528	96, 98	TE-702295	160
TE-701529	96	TE-702296	160
TE-701536	168	TE-702310	160
TE-701539	168	TE-702373	150
TE-701542	156, 158	TE-702374	150
TE-701543	238	TE-702376	146
TE-701554	96, 98	TE-702388	222
TE-701564	96, 98	TE-702397	152
TE-701565	96, 98	TE-702408	222
TE-701630	142	TE-702412	206
TE-701678	96, 98	TE-702413	206
TE-701681	96, 98	TE-702421	222
TE-701684	96, 98	TE-702430	112
TE-701685	96, 98	TE-702438	118
TE-701735	160, 162	TE-702444	154
TE-701760	164	TE-702470	154
TE-701761	164	TE-702471	154
TE-701808	230	TE-702472	154
TE-701813	132	TE-702488	154
TE-701820	132	TE-702492	154
TE-701847	142	TE-702513	132
TE-701849	132	TE-702517	168, 206
TE-701862	132	TE-702520	168, 206
TE-701881	132	TE-702528	14
TE-701884	132	TE-702544	130
TE-701895	222	TE-702546	130
TE-701920	206	TE-702556	114
TE-701949	122	TE-702557	114
TE-701950	122	TE-702559	112
TE-701951	160, 162	TE-702572	168
TE-701959	154	TE-702584	130
TE-701977	132	TE-702588	114
TE-701982	132	TE-702600	132
TE-701985	132	TE-702601	130
TE-702019	152	TE-702601-1	24, 130
TE-702025	152	TE-702614	130
TE-702026	152	TE-702618	228
TE-702029	152	TE-702621	228
TE-702030	152	TE-702622	228
TE-702047	132	TE-702623	228
TE-702094	8	TE-702634	168
TE-702103	8	TE-702639	130
TE-702106	8	TE-702647	130

TE-702648	130	TE-703452	148
TE-702651	130, 226	TE-703453	148
TE-702653	130	TE-703455	148
TE-702687	152	TE-703475	150
TE-702696	114	TE-703483	150
TE-702706	40, 44	TE-703484	150
TE-702737	46, 56, 58	TE-703488	98
TE-702738	96, 98	TE-703489	98
TE-702739	38	TE-703491	98
TE-702747	86	TE-703492	32
TE-702774	122	TE-703517	128
TE-702775	112, 118	TE-703518	128
TE-702778	112, 118	TE-703541	186
TE-702797	190, 192	TE-703595	230
TE-702798	190, 192	TE-703623	24, 28
TE-702800	114, 118, 238	TE-703633	158
TE-702806	166	TE-703661	28
TE-702819	38	TE-703662	28
TE-702824	112	TE-703709	196
TE-702825	214	TE-703710	194
TE-702828	214	TE-703742	158
TE-702846	162	TE-703754	144
TE-702847	162	TE-703792	226
TE-702866	190, 192	TE-703799	226
TE-702873	112	TE-703800	226
TE-702874	112	TE-703802	226
TE-702893	214	TE-703873	158
TE-702902	166	TE-703969	158
TE-702907	74	TE-704010	150
TE-702921	22	TE-704011	150
TE-702932	138	TE-710019	130
TE-702936	138	TE-710023	140
TE-702944	138	TE-710040	96, 244
TE-702946	138	TE-710056	228
TE-702949	144	TE-710149	148
TE-702950	144	TE-710187	146
TE-702951	144	TE-710205	140
TE-702952	144	TE-710223	226
TE-702968	224	TE-720178	206
TE-702987	42, 244	TE-785124	216
TE-703011	42	TE-791087	194, 196
TE-703052	218	TE-791159	128
TE-703054	218	TM-702945	138
TE-703056	218	TM-710157	98, 244
TE-703057	218	TS-111055-2	64, 76
TE-703066	190	TS-111170	60, 68
TE-703071	144, 238	TS-111195	116
TE-703114	162	TS-111212	58, 68
TE-703115	162	TS-111220	64, 84
TE-703133	138	TS-111395	60
TE-703145	50	TS-112030	44, 50, 90
TE-703150	40	TS-112055	56, 58, 62, 64, 74
TE-703160	50	TS-112060	50, 52
TE-703195	42	TS-112085	62, 64, 74, 76
TE-703196	42	TS-112090	60, 72, 88
TE-703210	76	TS-112095	60, 72, 82, 84, 94, 224
TE-703218	118	TS-112100	44, 50, 52, 64
TE-703226	118	TS-112110	68, 72
TE-703236	150	TS-112120	58, 72
TE-703238	150	TS-112125-2	58, 64
TE-703275	14	TS-112130	58, 62, 72
TE-703368	136	TS-112150	56, 70
TE-703380	136	TS-112152	52, 54, 62
TE-703447	148	TS-112160	56
TE-703451	148	TS-112170	60, 68, 70

TS-112180.....	66	TS-131115.....	114
TS-112190.....	66, 70	TS-131155.....	114
TS-112205.....	58, 68	TS-131195.....	116
TS-112207.....	62, 82	TS-131246.....	114
TS-112220.....	62, 64, 82, 84	TS-131395.....	60
TS-112317.....	62, 64, 96, 98	TS-131610.....	114
TS-112330.....	62, 64, 96, 98	TS-132029.....	40, 82
TS-113027.....	90	TS-132033.....	82
TS-113045.....	50, 52	TS-132040.....	44, 84
TS-113115.....	70	TS-132049.....	44, 56, 58
TS-113140.....	82	TS-132050.....	40, 62
TS-113155.....	70	TS-132056.....	40
TS-113160-2.....	84, 88	TS-132058.....	82
TS-113271.....	218	TS-132060-2.....	54
TS-118090.....	62, 64, 224	TS-132066.....	44, 54, 84
TS-118115.....	44	TS-132095.....	72
TS-118150.....	40	TS-132100.....	72, 214
TS-118170.....	66	TS-132105.....	72
TS-118177.....	94	TS-132135.....	68
TS-118215.....	116	TS-132140.....	44, 68
TS-121045.....	116, 120, 208, 210, 212	TS-132145.....	68
TS-121080.....	116, 120, 208, 210, 212	TS-132155.....	50, 72
TS-121150.....	56	TS-132185.....	50, 68
TS-121165.....	58	TS-132205.....	50, 72
TS-121380.....	230	TS-132210.....	50, 68
TS-121570.....	114	TS-132220.....	50, 68, 72
TS-122028.....	46, 62, 64	TS-132250.....	50, 68
TS-122035.....	230	TS-133047.....	82
TS-122040.....	66, 68, 230	TS-133060-2.....	44, 64
TS-122049.....	40	TS-133170.....	110
TS-122050.....	40, 50	TS-133264.....	218
TS-122060.....	40, 42, 110	TS-137025.....	214
TS-122090.....	92	TS-138040.....	66, 70
TS-122095.....	110	TS-141605.....	114
TS-122110.....	120	TS-148165.....	116
TS-122130.....	70	TS-148273.....	218
TS-122155-2.....	64	TS-151095.....	50, 84
TS-122157.....	50, 62	TS-151190.....	116
TS-122210.....	116	TS-151200-4.....	84
TS-123028.....	40, 44	TS-151250.....	218
TS-123032.....	94	TS-152021.....	82
TS-123050.....	86, 224	TS-152060.....	82
TS-123058.....	40	TS-152065.....	50, 84
TS-123110.....	116	TS-158013.....	82
TS-123121.....	60	TS-158023.....	82
TS-127075.....	92	TS-161075.....	46, 86
TS-127100.....	72	TS-162051.....	46, 50
TS-127130.....	70	TS-162180.....	46, 82
TS-128050-2.....	44	TS-171043.....	74
TS-128055.....	110	TS-171045.....	50, 74, 76
TS-128070.....	110	TS-172070.....	44, 76
TS-128128.....	40, 46	TS-172180.....	74, 76, 78, 80
TS-128600.....	44, 224	TS-172235.....	38, 74, 76, 78, 80
TS-131040.....	214	TS-273056.....	144
TS-131045-2.....	50, 84	TS111570.....	114
TS-131050-2.....	50, 84		

TERRI

FOR ALL TERRAIN

Address

Terri AB
c/o Alfing i Älmhult AB
Box 151
343 22 Älmhult

Phone:
+46 476 69 52 00

Web:
www.terri.se

E-mail:
info@terri.se